



US00D917951S

(12) **United States Design Patent**
Dorion et al.

(10) **Patent No.: US D917,951 S**

(45) **Date of Patent: ** *May 4, 2021**

(54) **SKILLET**

(71) Applicants: **Chris Dorion**, South Pittsburg, TN
(US); **Kelly Peterson**, South Pittsburg,
TN (US)

(72) Inventors: **Chris Dorion**, South Pittsburg, TN
(US); **Kelly Peterson**, South Pittsburg,
TN (US)

(73) Assignee: **Lodge Manufacturing Company**,
South Pittsburg, TN (US)

(*) Notice: This patent is subject to a terminal dis-
claimer.

(**) Term: **15 Years**

(21) Appl. No.: **29/695,795**

(22) Filed: **Jun. 21, 2019**

(51) **LOC (13) Cl. 07-02**

(52) **U.S. Cl.**
USPC **D7/361**

(58) **Field of Classification Search**
USPC D7/323, 352, 354, 355, 356, 357, 358,
D7/359, 360, 361, 362, 363, 364, 365,
D7/366, 396.1, 402, 409, 410
CPC .. A47J 27/00; A47J 37/00; A47J 37/01; A47J
37/04; A47J 37/06; A47J 37/10; A47J
37/0611; A47J 37/08; A47J 37/0807;
A47J 37/0814; A47J 37/0835; A47J
37/0842; A47J 37/085; A47J 37/0864;
A47J 37/0878; A47J 37/0885; A47J
37/0892; A47J 36/00; A47J 36/02; A47J
36/06; A47J 36/16; A47J 36/24; A47J
36/022; A47J 36/027

See application file for complete search history.

(56) **References Cited**

U.S. PATENT DOCUMENTS

1,467,272 A * 9/1923 Hazlehurst A47J 37/10
99/425
1,554,360 A * 9/1925 Massing A47J 37/101
222/544

RE17,005 E * 6/1928 Massing A47J 36/06
222/544
1,865,342 A * 6/1932 Stough A47J 45/071
220/759
1,970,151 A * 8/1934 Smith A47J 37/10
126/390.1

(Continued)

FOREIGN PATENT DOCUMENTS

GB 2363699 A * 1/2002 A47J 36/14

OTHER PUBLICATIONS

Say Hello to the New Blacklock Cast Iron by Lodge, announced
Aug. 18, 2019 [online], retrieved May 21, 2020, retrieved from
internet, <https://thervatlas.com/podcast/blacklock-cast-iron-by-lodge/>.*

(Continued)

Primary Examiner — Dana K Weiland

Assistant Examiner — Messina L Smith

(74) *Attorney, Agent, or Firm* — Stephen J. Stark; Miller
& Martin PLLC

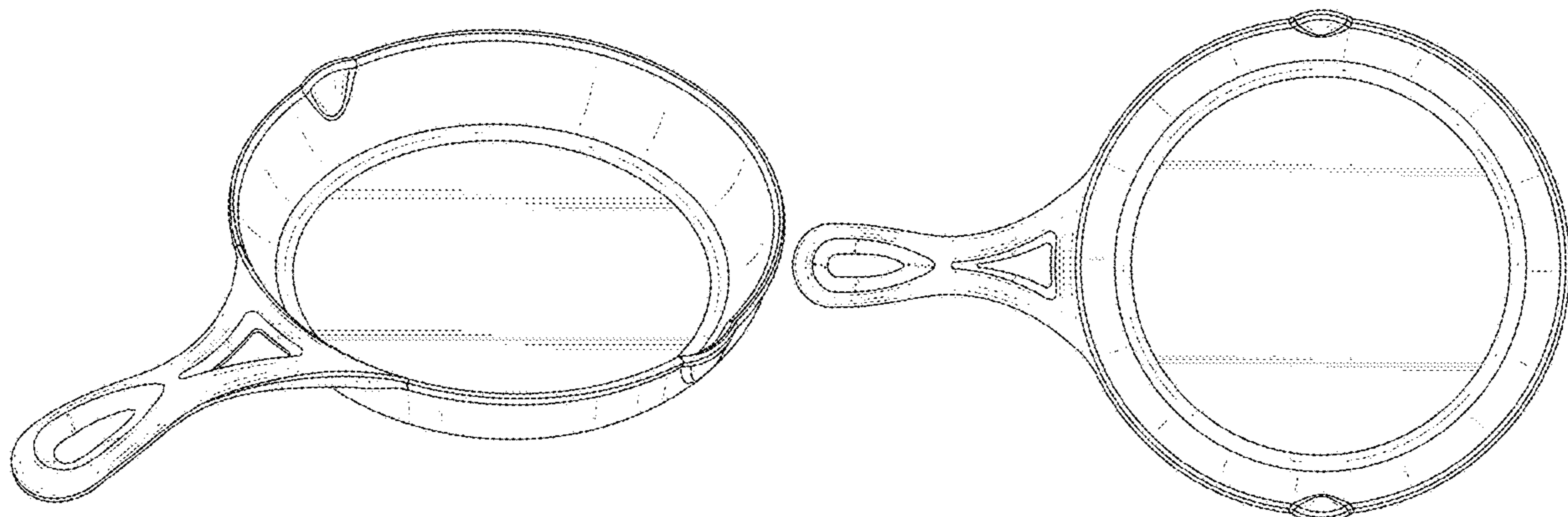
(57) **CLAIM**

The ornamental design for a skillet, as shown and described.

DESCRIPTION

FIG. 1 is a perspective view of a skillet, showing the new
design;
FIG. 2 is a top elevational view thereof;
FIG. 3 is a right side elevational view thereof;
FIG. 4 is a left side elevational view thereof;
FIG. 5 is a rear elevational view thereof;
FIG. 6 is a front devotional view thereof; and,
FIG. 7 is a bottom elevational view thereof.
The broken lines in the drawings depict portions of the
skillet that form no part of the claimed design.

1 Claim, 7 Drawing Sheets



(56)

References Cited

U.S. PATENT DOCUMENTS

1,970,723	A *	8/1934	Wolfe	A47J 36/02 220/573.2
2,008,767	A *	7/1935	Munn	A47J 37/10 99/425
2,788,561	A *	4/1957	Mueller	F27D 5/00 D7/361
D442,025	S *	5/2001	Rae	D7/395
D455,315	S *	4/2002	Cheng	D7/354
6,419,107	B1 *	7/2002	Cheng	A47J 36/08 220/366.1
D581,721	S *	12/2008	Rae	D7/360
D618,494	S *	6/2010	Welk	D7/354
D628,851	S *	12/2010	Bergne	D7/354
D682,013	S *	5/2013	Huang	D7/354
D696,060	S *	12/2013	Schleinker	D7/354
D712,194	S *	9/2014	Thonis	D7/354
D756,163	S *	5/2016	Gabbay	D7/354
D779,871	S *	2/2017	Zemel	D7/354
D794,379	S *	8/2017	Mejia	D7/354
D802,990	S *	11/2017	Workman	D7/361
D879,545	S *	3/2020	Hollinger	D7/360
D880,222	S *	4/2020	Hollinger	D7/361
2013/0108761	A1 *	5/2013	Kenton	A47J 37/10 426/523
2018/0125298	A1 *	5/2018	Workman	A47J 45/062

OTHER PUBLICATIONS

Blacklock *63* 7 Inch Triple Seasoned Cast Iron Skillet, no announcement date [online], retrieved May 21, 2020, retrieved from internet, <https://www.lodgemfg.com/product/blacklock-skillet>.*

* cited by examiner

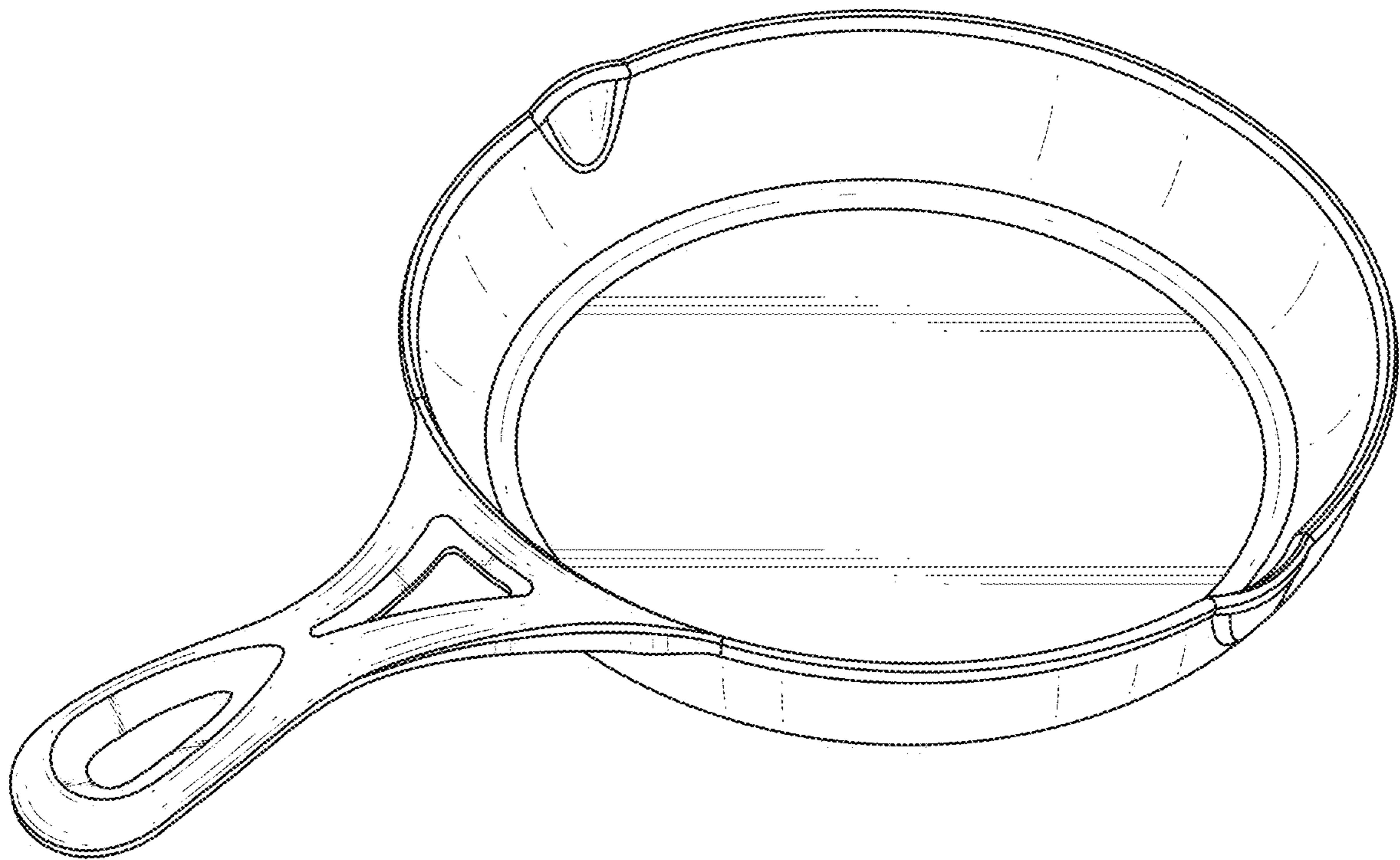


FIG. 1

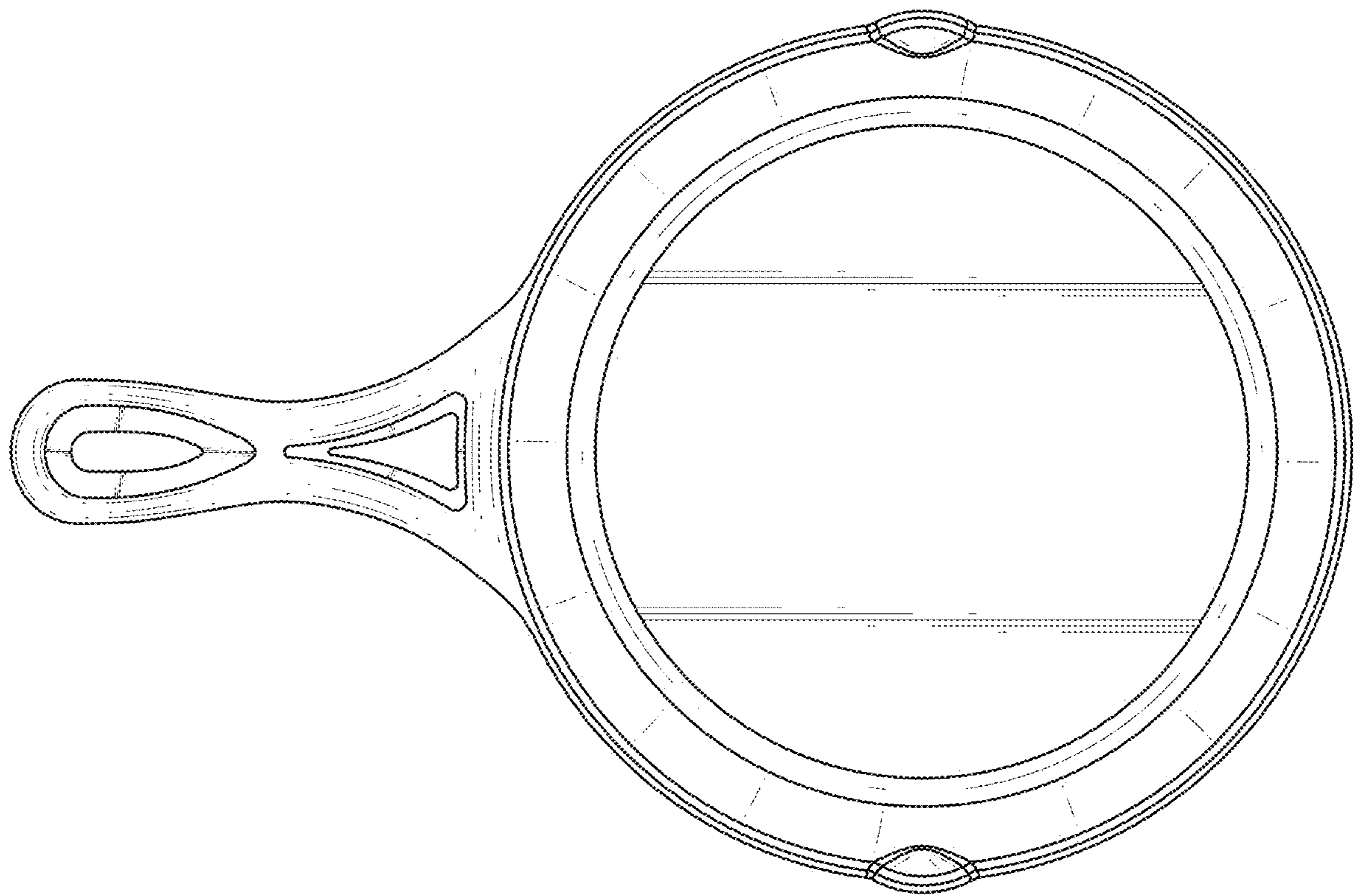


FIG. 2



FIG. 3



FIG. 4

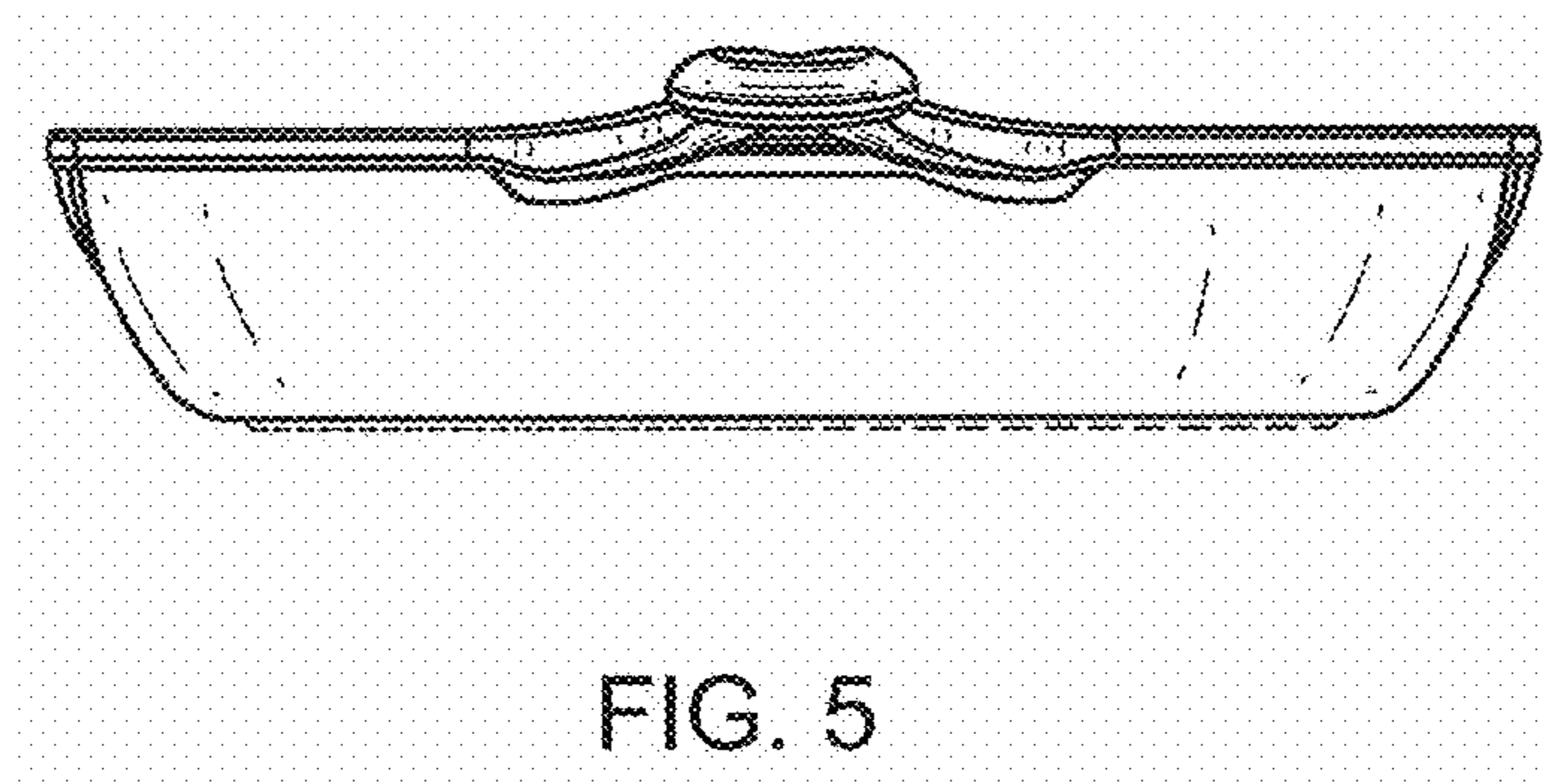


FIG. 5

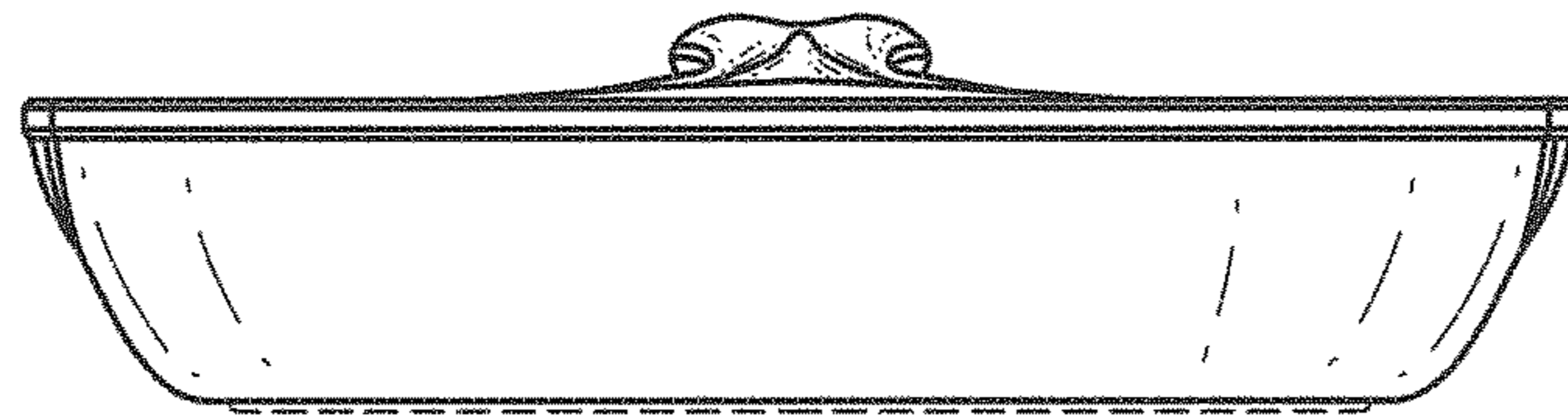


FIG. 6

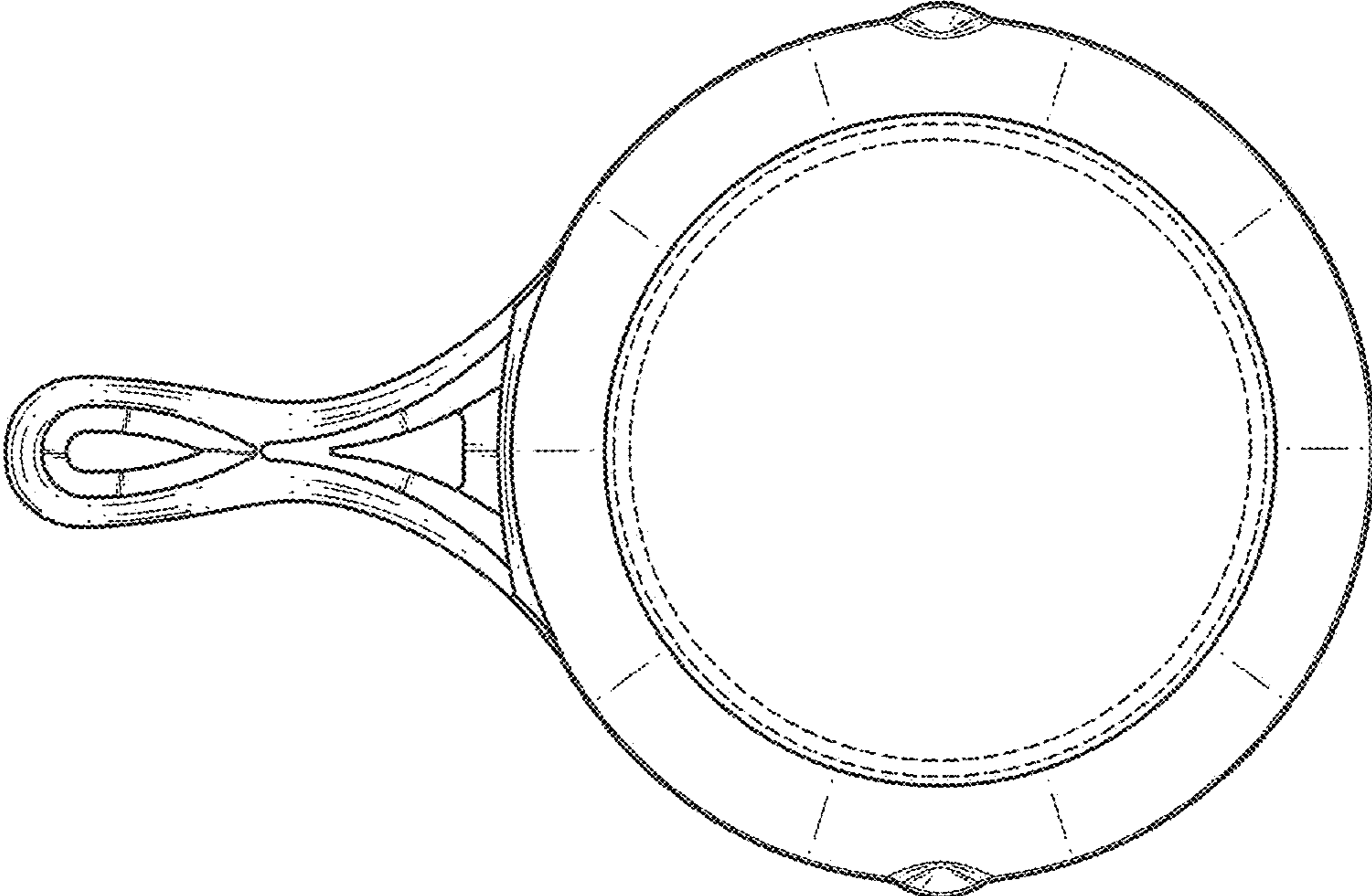


FIG. 7