



US00D917948S

(12) **United States Design Patent**  
**Chung**

(10) **Patent No.:** **US D917,948 S**

(45) **Date of Patent:** **\*\* May 4, 2021**

- (54) **GRILL**
- (71) Applicant: **Kiosky Chung**, Taichung (TW)
- (72) Inventor: **Kiosky Chung**, Taichung (TW)
- (\*\*) Term: **15 Years**
- (21) Appl. No.: **29/674,841**
- (22) Filed: **Dec. 26, 2018**
- (51) **LOC (13) Cl.** ..... **07-02**
- (52) **U.S. Cl.**  
USPC ..... **D7/334**
- (58) **Field of Classification Search**  
USPC ..... D7/323, 331-338, 402-409  
CPC ..... A47J 37/07-0713; A47J 37/0763; A47J  
37/0781  
See application file for complete search history.

D653,899	S	*	2/2012	Chung	.....	D7/337
D658,926	S	*	5/2012	Chung	.....	D7/334
D660,073	S	*	5/2012	Chung	.....	D7/334
D660,074	S	*	5/2012	Chung	.....	D7/334
D660,075	S	*	5/2012	Chung	.....	D7/334
D661,538	S	*	6/2012	Chung	.....	D7/334
D679,937	S	*	4/2013	Chung	.....	D7/334
D680,794	S	*	4/2013	Chung	.....	D7/332
D680,797	S	*	4/2013	Chung	.....	D7/334
D687,668	S	*	8/2013	Chung	.....	D7/334
D687,669	S	*	8/2013	Chung	.....	D7/334
D688,511	S	*	8/2013	Chung	.....	D7/334
D688,512	S	*	8/2013	Chung	.....	D7/334
D722,809	S	*	2/2015	Chung	.....	D7/334
D723,321	S	*	3/2015	Chung	.....	D7/334
D731,843	S	*	6/2015	Chung	.....	D7/334
D796,250	S	*	9/2017	Chung	.....	D7/337
D815,876	S	*	4/2018	Stanton	.....	D7/334
D842,637	S	*	3/2019	Mansueto	.....	D7/334
D844,361	S	*	4/2019	Chung	.....	D7/334
D845,057	S	*	4/2019	Lira-Nunez	.....	D7/334
2012/0037143	A1	*	2/2012	Chung	.....	A47J 37/0704 126/25 R

(56) **References Cited**

**U.S. PATENT DOCUMENTS**

6,439,222	B1	*	8/2002	Dixon	.....	A47J 37/0713 126/276
D465,123	S	*	11/2002	Coleman	.....	D7/334
D474,063	S	*	5/2003	Eisinger	.....	D7/334
D483,215	S	*	12/2003	Eisinger	.....	D7/334
D528,851	S	*	9/2006	Chung	.....	D7/334
D529,330	S	*	10/2006	Chung	.....	D7/334
D529,331	S	*	10/2006	Chung	.....	D7/334
D549,510	S	*	8/2007	Chung	.....	D7/334
D549,513	S	*	8/2007	Chung	.....	D7/334
D550,023	S	*	9/2007	Chung	.....	D7/334
D550,501	S	*	9/2007	Chung	.....	D7/334
D570,150	S	*	6/2008	Pai	.....	D7/334
D572,519	S	*	7/2008	Thomas	.....	D7/334
D576,441	S	*	9/2008	Chung	.....	D7/334
D607,262	S	*	1/2010	Chung	.....	D7/334
D618,035	S	*	6/2010	Chung	.....	D7/334
D653,898	S	*	2/2012	Chung	.....	D7/337

\* cited by examiner

*Primary Examiner* — Brett Miller

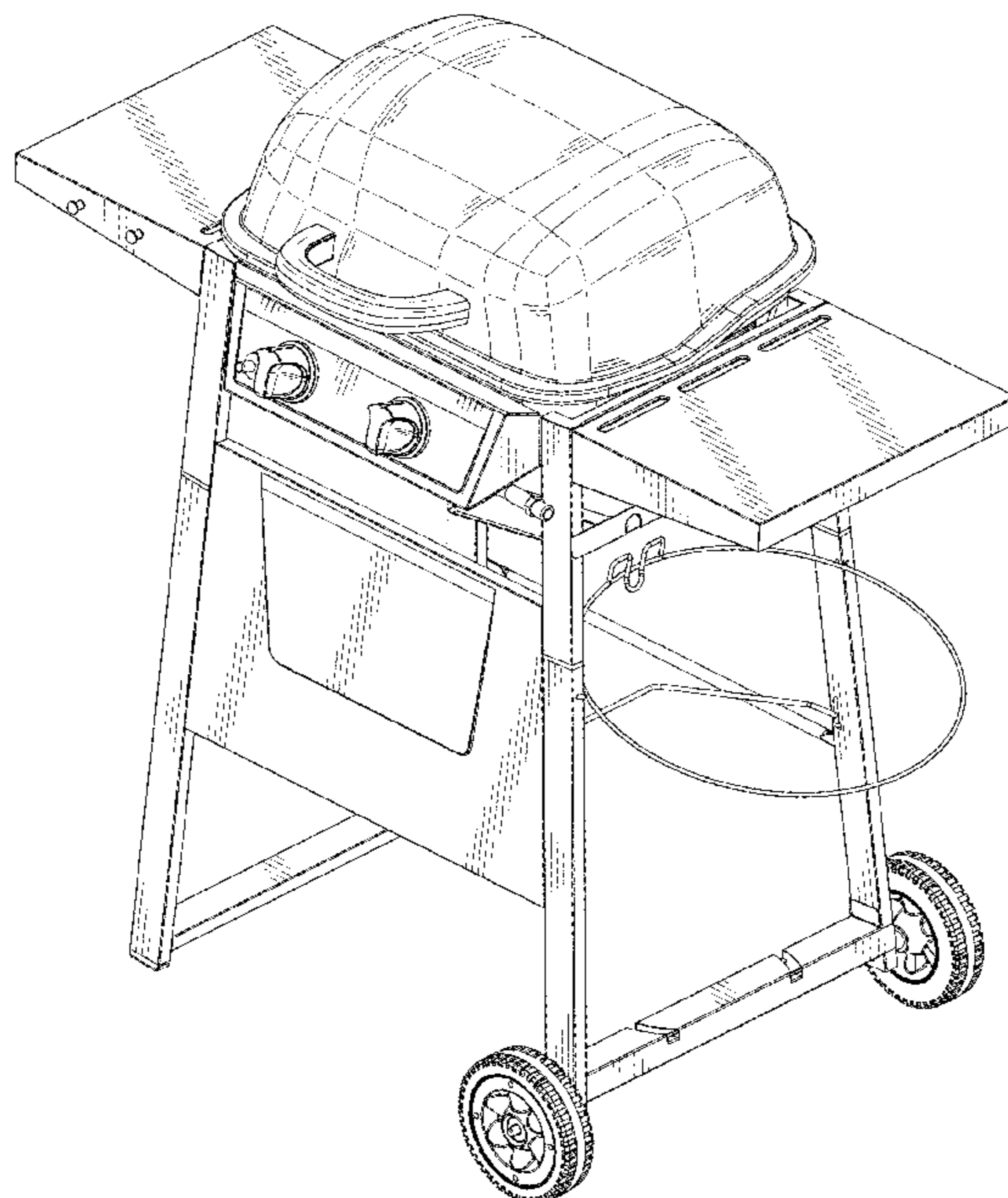
(57) **CLAIM**

The ornamental design for a grill, as shown and described.

**DESCRIPTION**

FIG. 1 is a perspective view of a grill showing my new design;  
 FIG. 2 is a front side view thereof;  
 FIG. 3 is a back side view thereof;  
 FIG. 4 is a left side view thereof;  
 FIG. 5 is a right side view thereof;  
 FIG. 6 is a top plan view thereof; and,  
 FIG. 7 is a bottom plan view thereof.

**1 Claim, 6 Drawing Sheets**



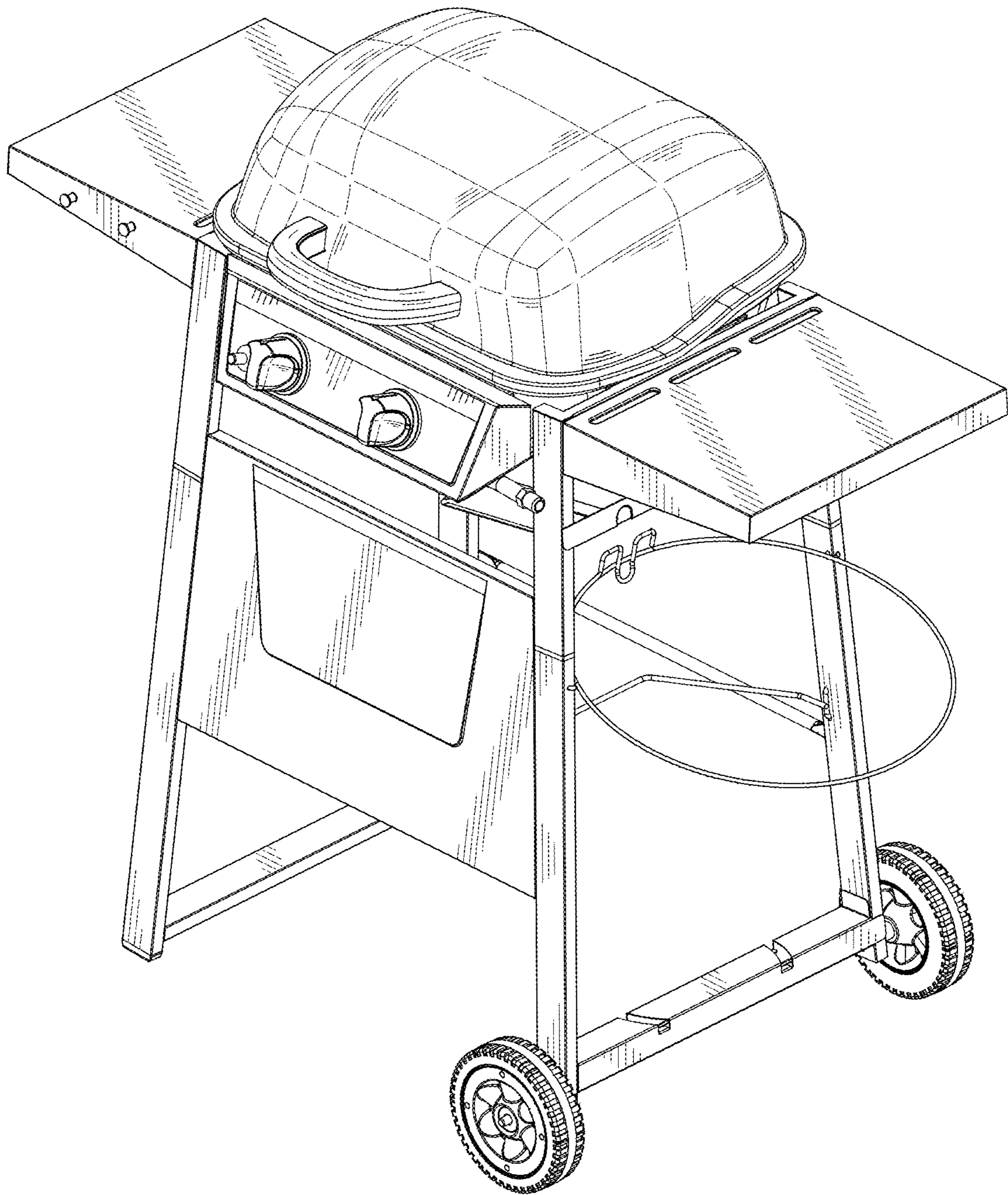


FIG. 1

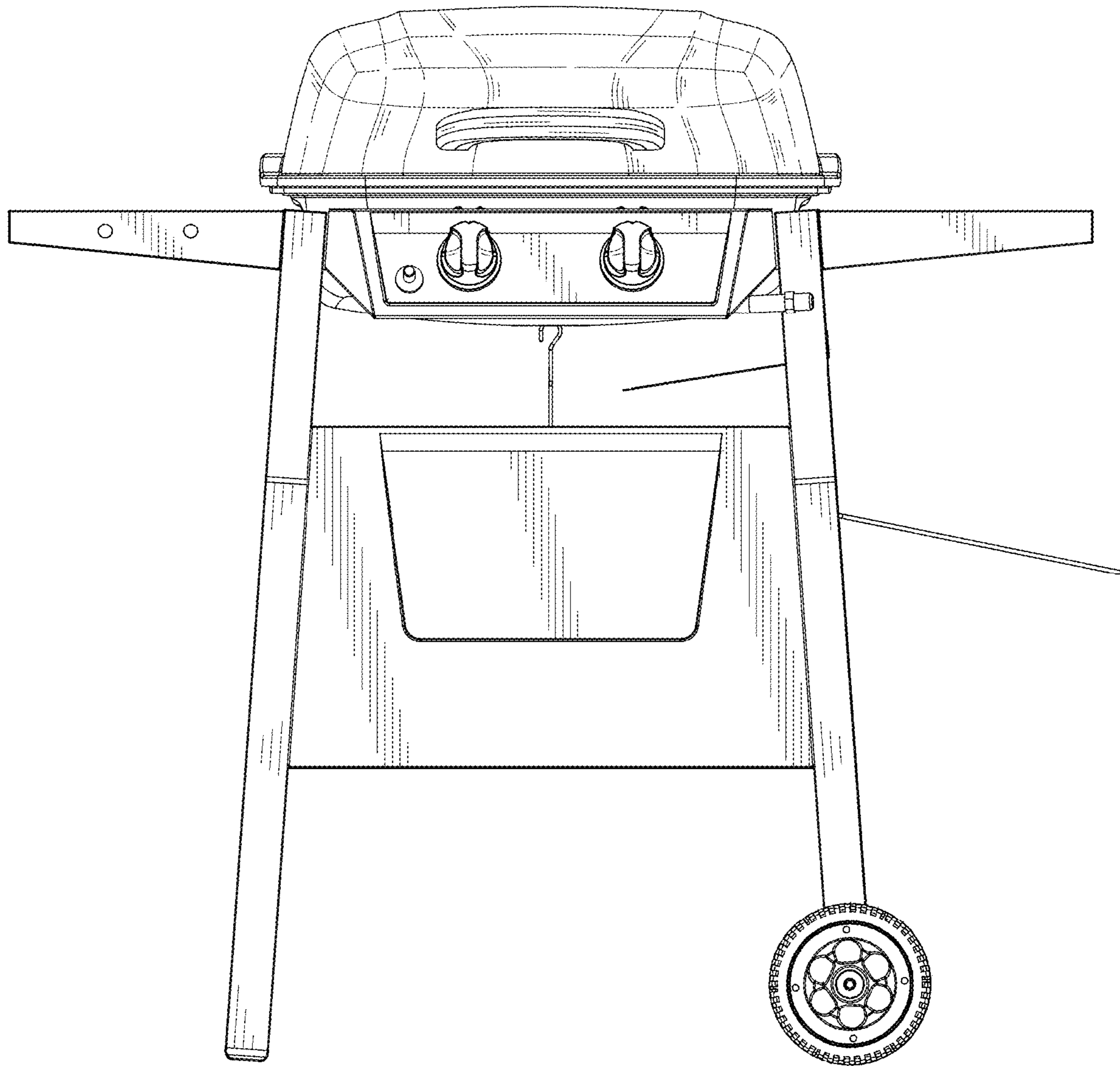


FIG. 2

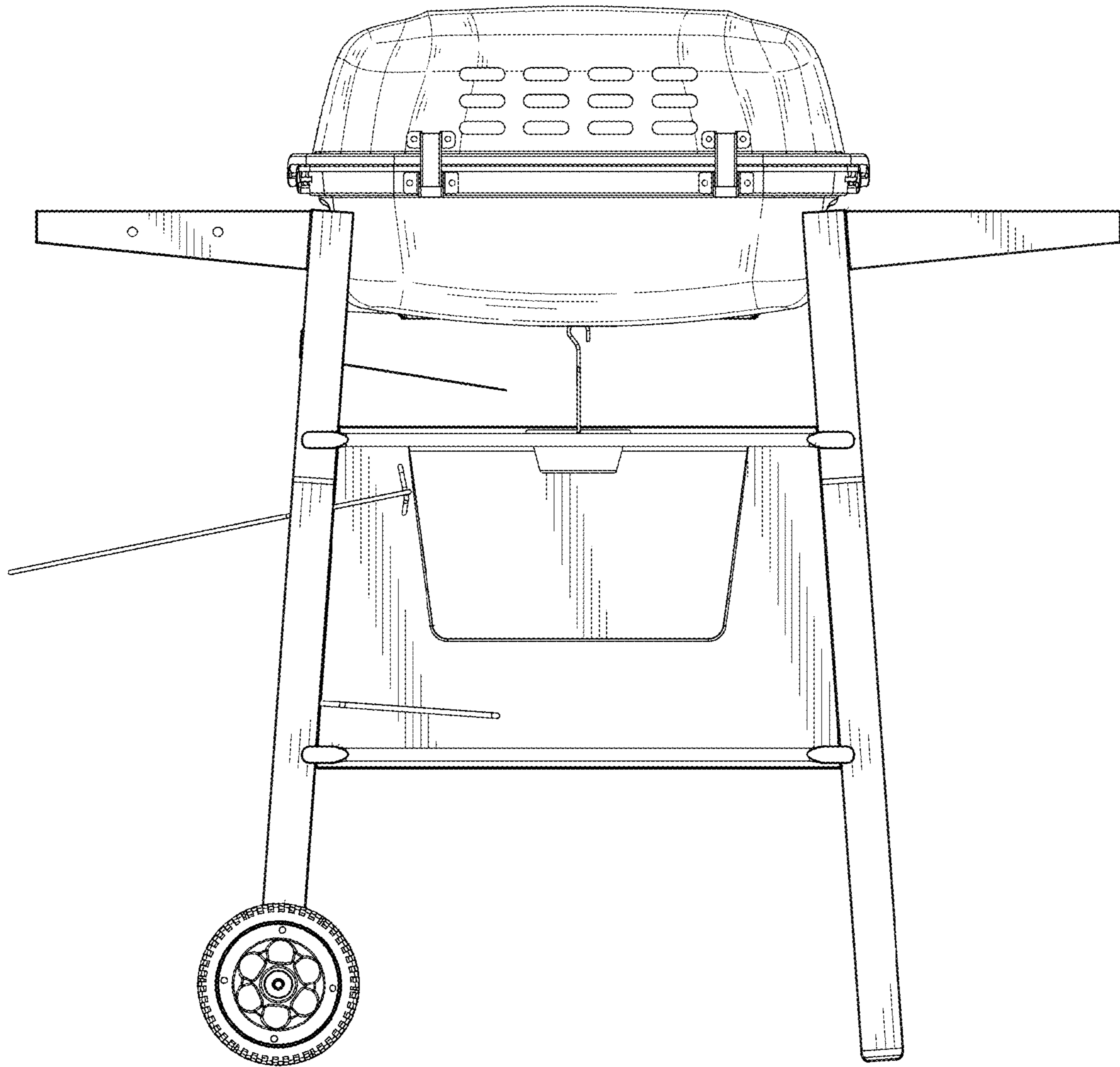


FIG. 3

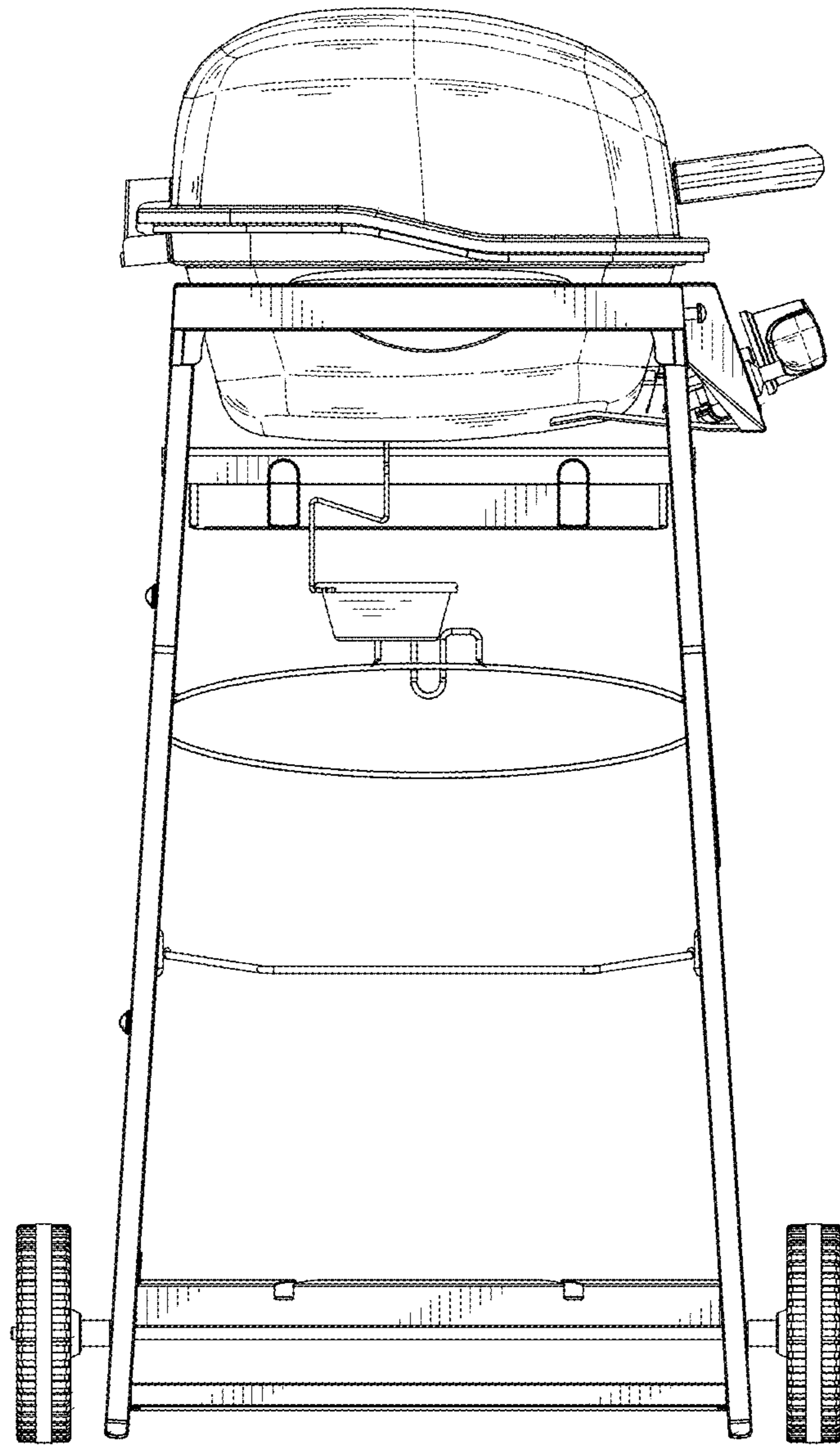


FIG. 4

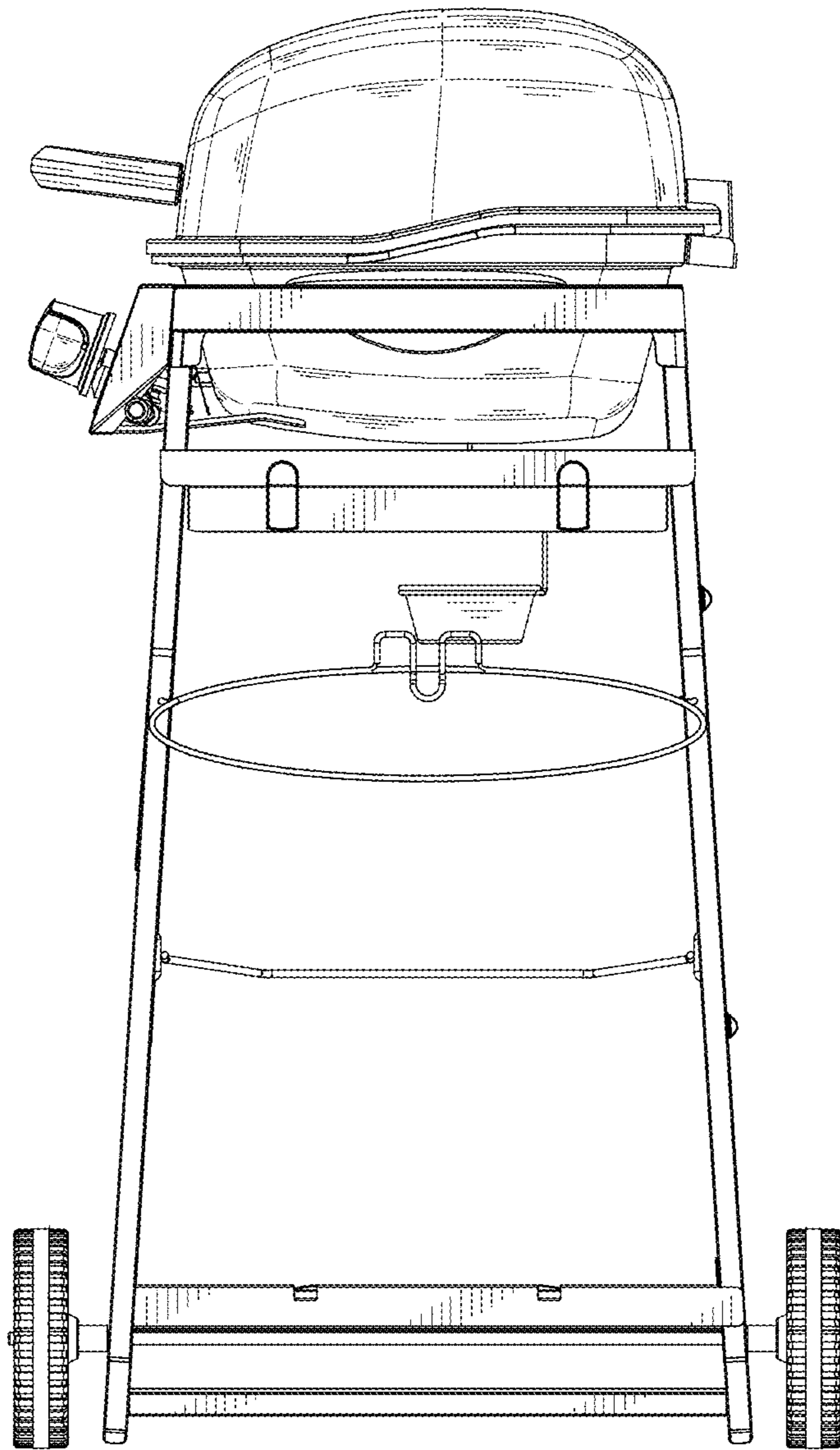


FIG. 5

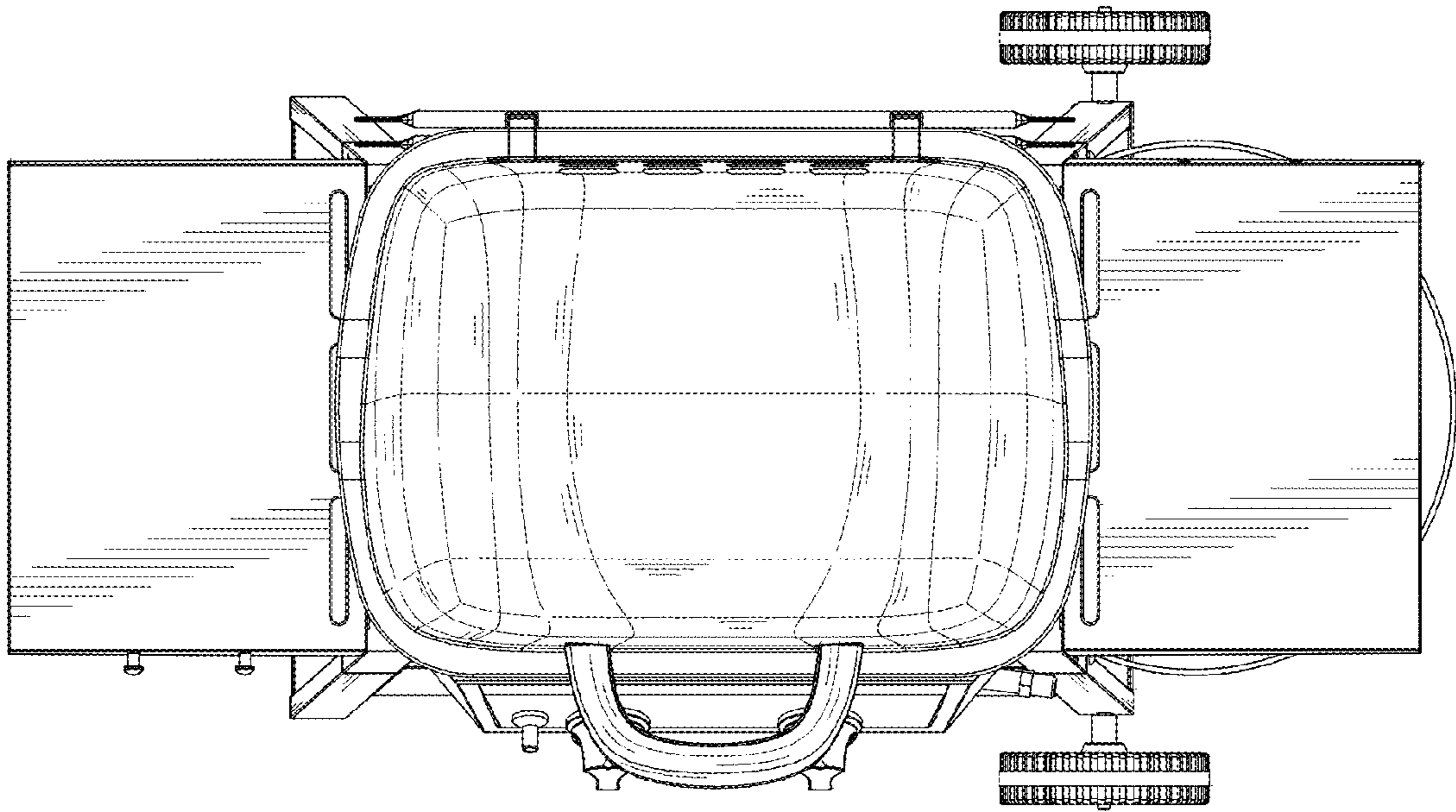


FIG. 6

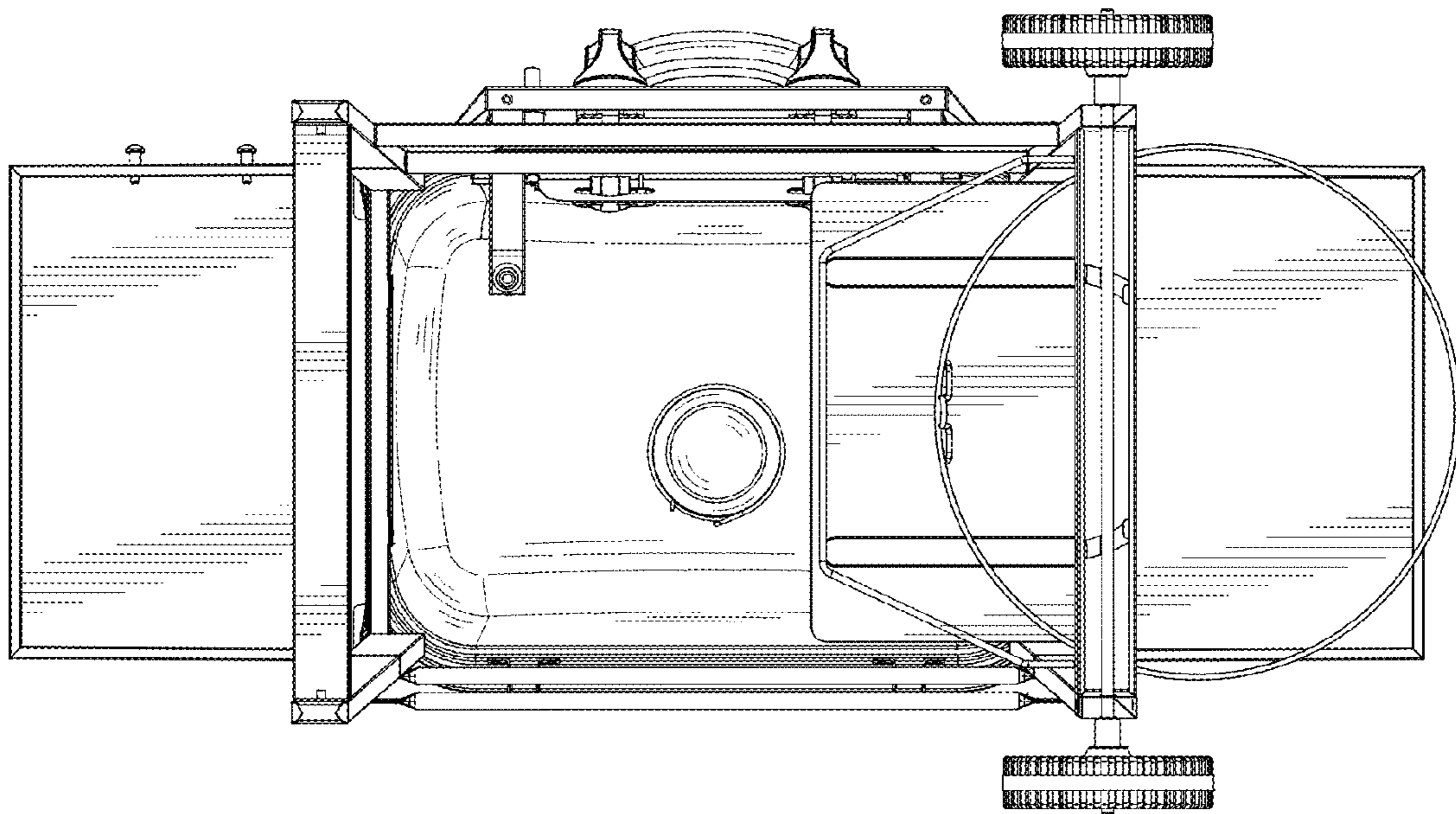


FIG. 7