



US00D917946S

(12) **United States Design Patent** (10) **Patent No.:** **US D917,946 S**
Hill et al. (45) **Date of Patent:** **** May 4, 2021**

(54) **PRIVACY SCREEN**

(71) Applicant: **HERMAN MILLER, INC.**, Zeeland, MI (US)

(72) Inventors: **Jesse Hill**, Grand Rapids, MI (US);
Sathishkumar Sampath, Holland, MI (US)

(73) Assignee: **HERMAN MILLER, INC.**, Zeeland, MI (US)

(**) Term: **15 Years**

(21) Appl. No.: **29/683,370**

(22) Filed: **Mar. 12, 2019**

(51) **LOC (13) Cl.** **06-06**

(52) **U.S. Cl.**
USPC **D6/714; D14/449**

(58) **Field of Classification Search**
USPC D6/329, 332, 641–643, 643.1, 702, 703,
D6/703.1, 713, 714; D12/345; D14/432,
D14/447–451; D19/34.1
CPC A47B 21/00; A47B 21/03; A47B 21/06;
A47B 65/20; A47B 2200/0066; A47B
(Continued)

(56) **References Cited**

U.S. PATENT DOCUMENTS

3,544,184 A 12/1970 Laws
D235,954 S 7/1975 Holland
D239,350 S 3/1976 Vogt
(Continued)

OTHER PUBLICATIONS

U.S. Office Action for related U.S. Appl. No. 29/683,369 dated Jun. 23, 2020 (6 pages including form 892).

Primary Examiner — Mary Ann Calabrese

(74) *Attorney, Agent, or Firm* — Michael Best & Friedrich LLP

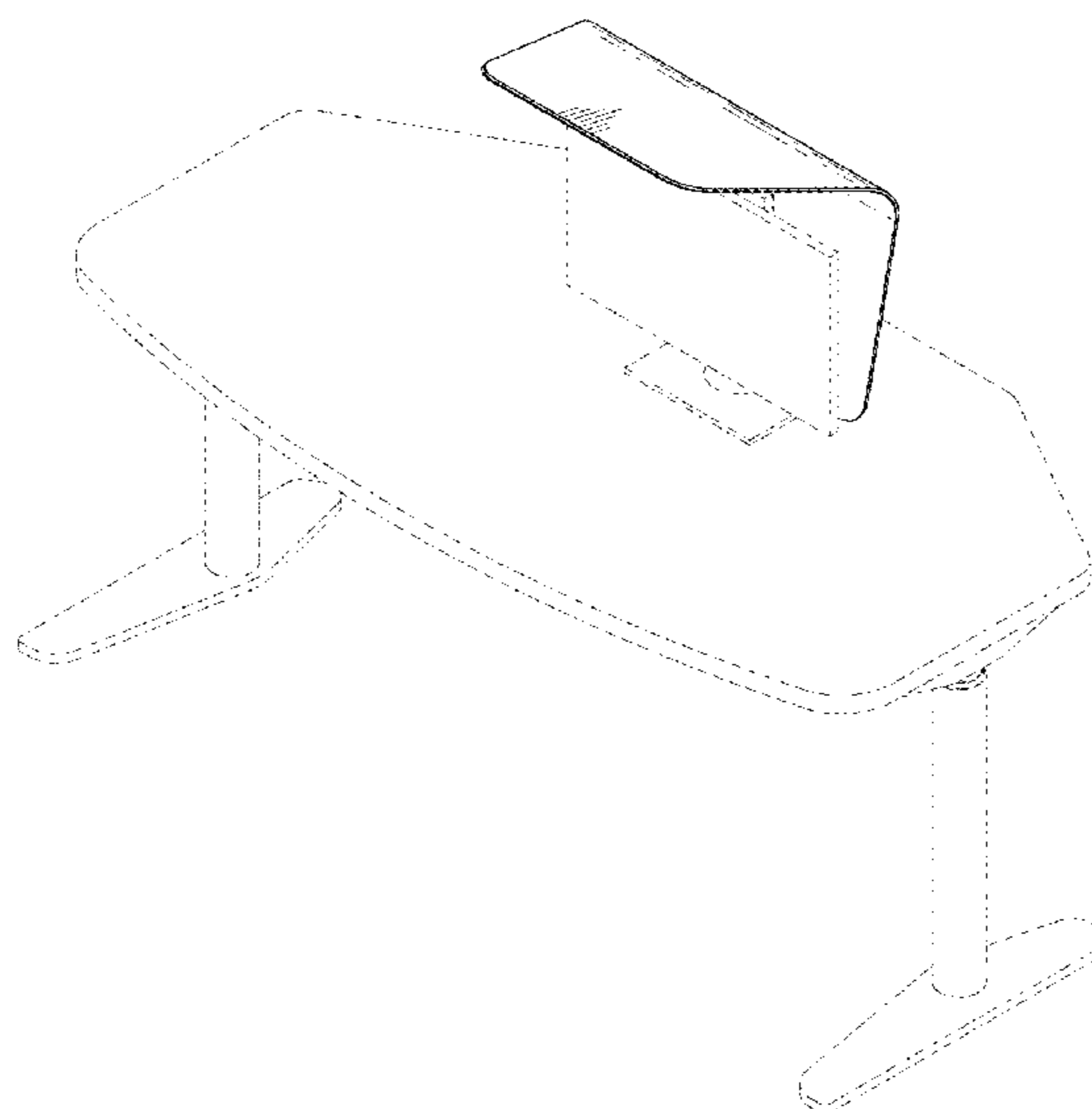
(57) **CLAIM**

We claim the ornamental design for a privacy screen, as shown and described.

DESCRIPTION

FIG. 1 is a perspective view of a privacy screen according to one embodiment coupled to an electronic device.
FIG. 2 is a front perspective view of the privacy screen of FIG. 1.
FIG. 3 is a front view of the privacy screen shown in FIG. 1.
FIG. 4 is a rear view of the privacy screen shown in FIG. 1.
FIG. 5 is a first side view of the privacy screen shown in FIG. 1.
FIG. 6 is a second side view of the privacy screen shown in FIG. 1.
FIG. 7 is a top view of the privacy screen shown in FIG. 1.
FIG. 8 is a bottom view of the privacy screen in FIG. 1.
FIG. 9 is a perspective view of a privacy screen according to another embodiment coupled to an electronic device.
FIG. 10 is a front perspective view of the privacy screen of FIG. 9.
FIG. 11 is a front view of the privacy screen shown in FIG. 9.
FIG. 12 is a rear view of the screen privacy shown in FIG. 9.
FIG. 13 is a first side view of the privacy screen shown in FIG. 9.
FIG. 14 is a second side view of the privacy screen shown in FIG. 9.
FIG. 15 is a top view of the privacy screen shown in FIG. 9; and,
FIG. 16 is a bottom view of the privacy screen in FIG. 9.
The broken lines illustrate environment that forms no part of the claimed design.

1 Claim, 10 Drawing Sheets



(58) **Field of Classification Search**

CPC 2200/0084; A47G 5/00; A47G 5/02; G06F
1/1603

See application file for complete search history.

(56) **References Cited**

U.S. PATENT DOCUMENTS

4,863,242 A * 9/1989 Correa G06F 1/1603
359/601
D382,735 S * 8/1997 Zapf E04B 2/7403
D6/703.1
5,890,782 A 4/1999 Alberts
D421,973 S * 3/2000 Jacobson D14/450
D455,755 S * 4/2002 Levine G06F 1/1603
D14/447
D588,850 S 3/2009 Goldberg
D613,970 S 4/2010 Switzer
D615,919 S * 5/2010 Bock D12/345
RE45,474 E * 4/2015 Andre D14/375
D732,866 S 6/2015 Terwelp et al.
D774,339 S * 12/2016 Parshad D6/714
D779,237 S 2/2017 Schalk et al.
D824,195 S 7/2018 Ezure et al.
D840,726 S 2/2019 Denby et al.
D871,120 S 12/2019 Schalk et al.
D871,782 S 1/2020 Simone
2018/0087266 A1 * 3/2018 Hall E04B 2/7403

* cited by examiner

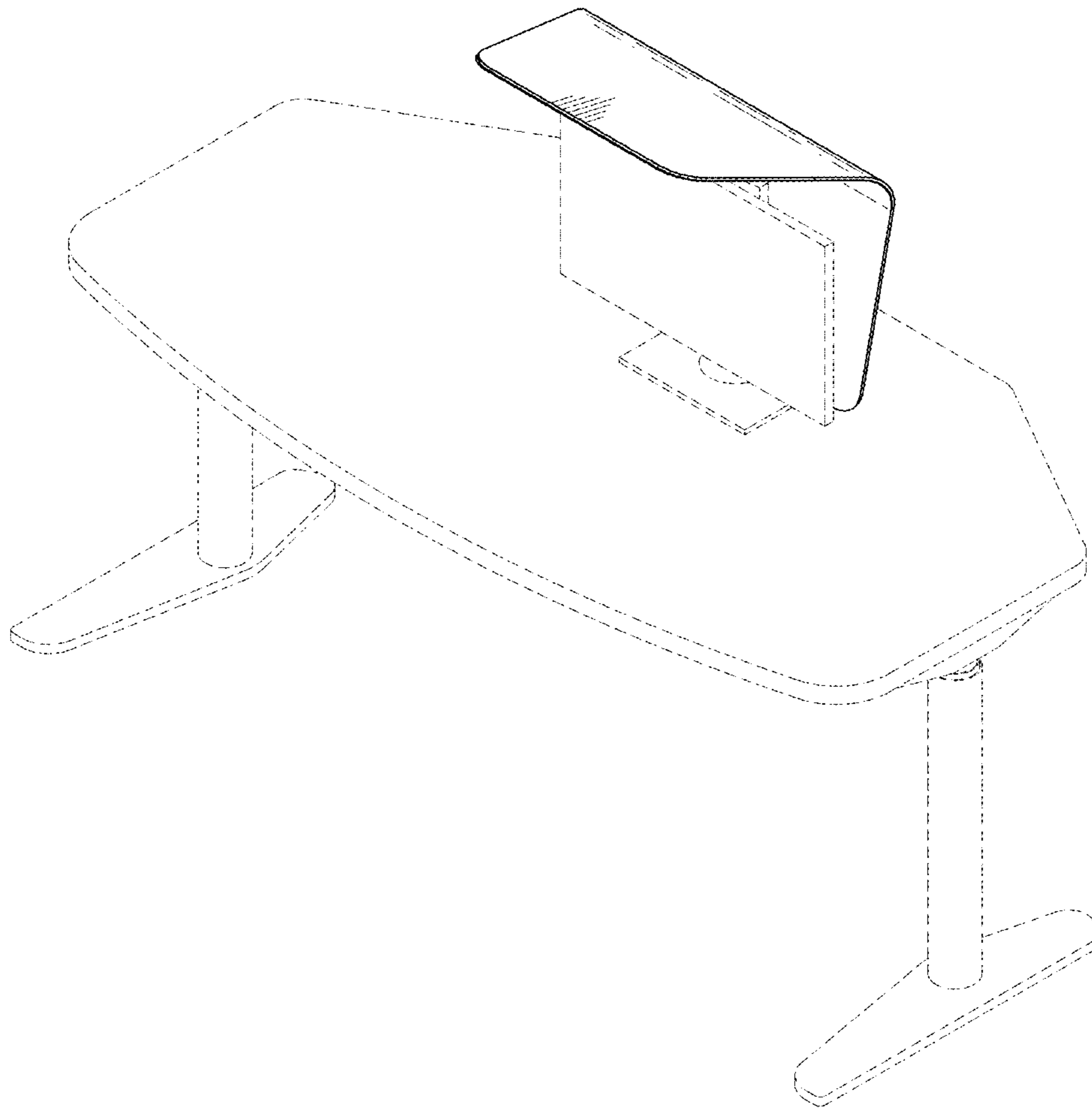


FIG. 1

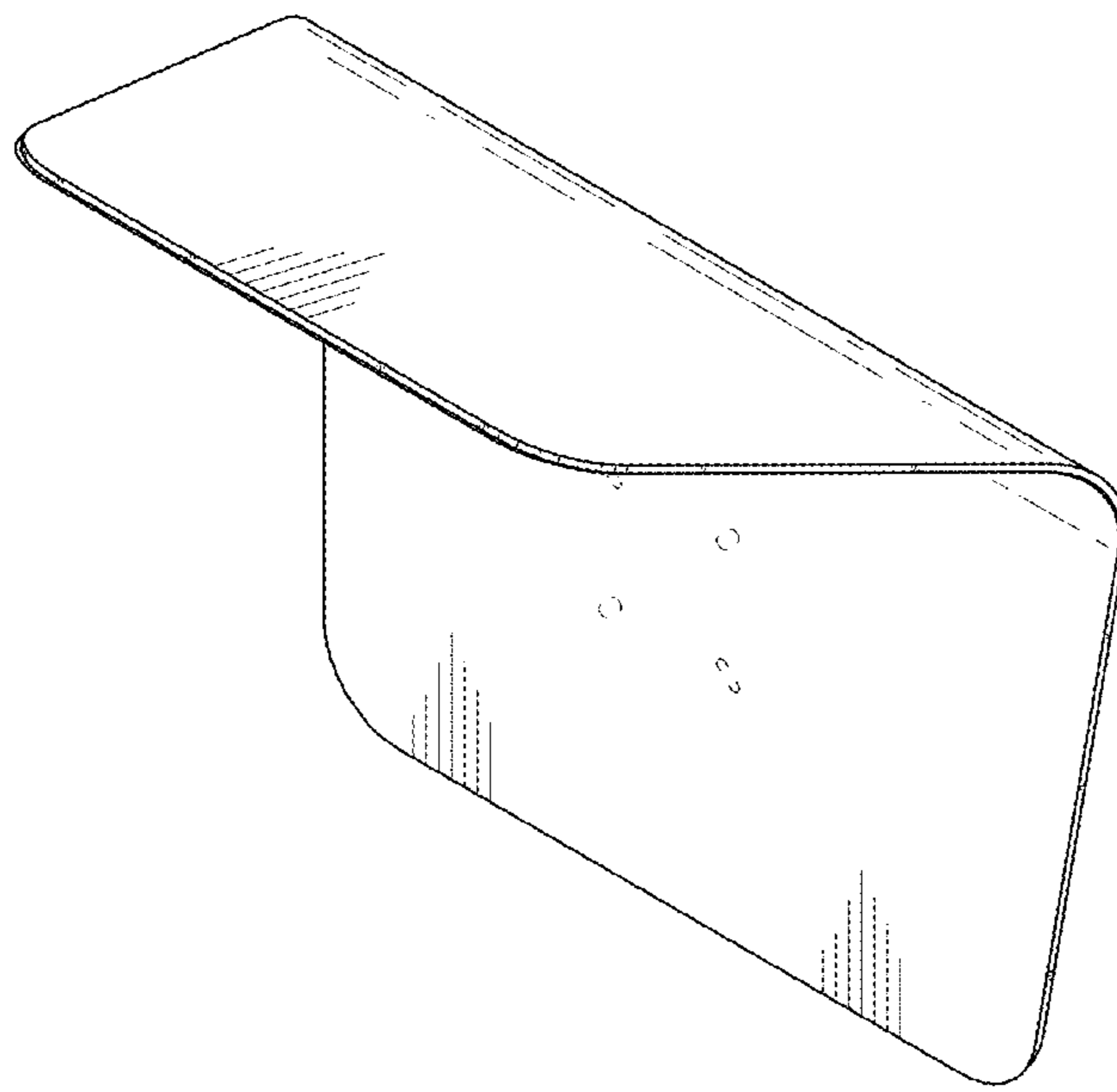


FIG. 2

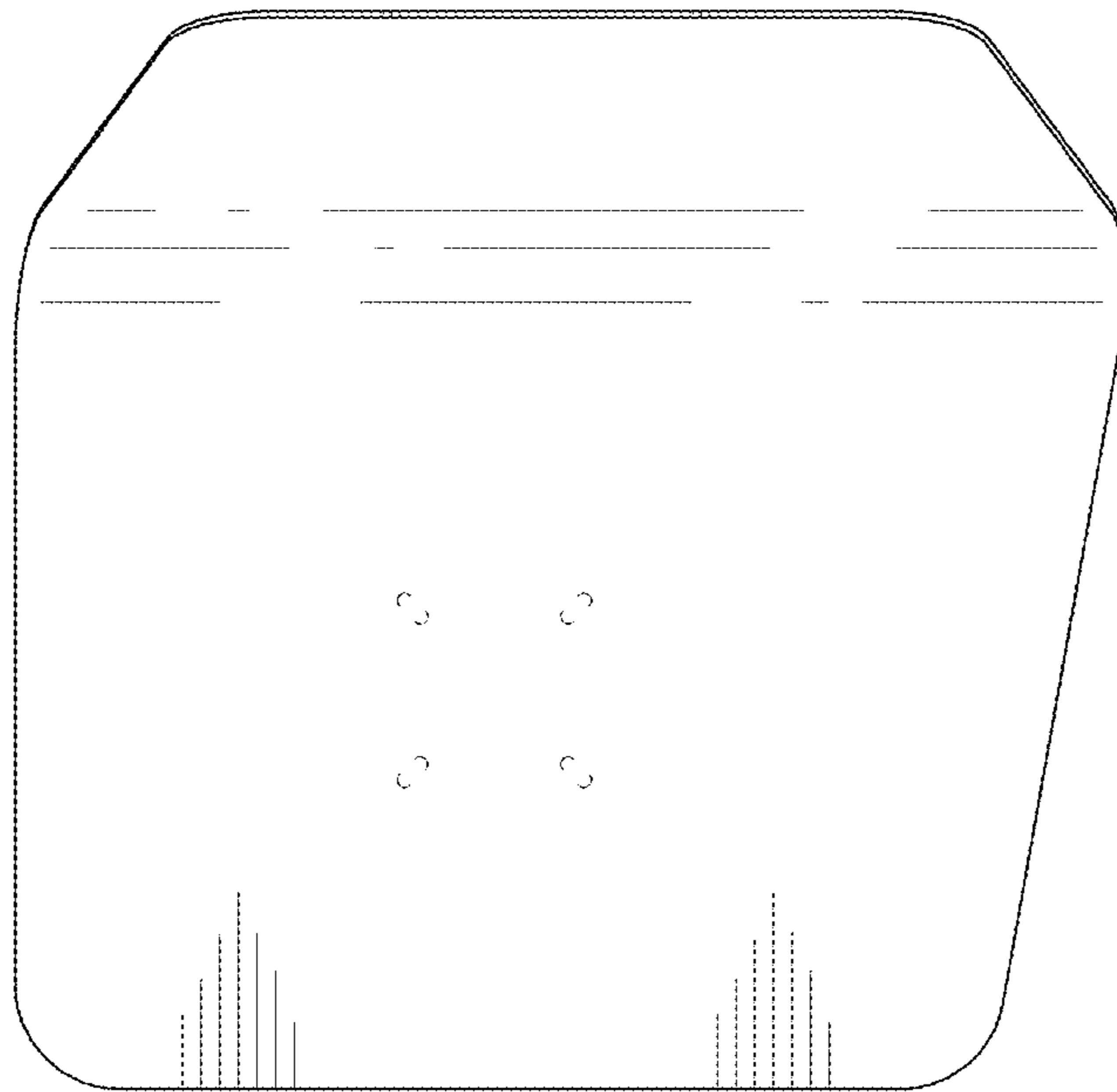


FIG. 3

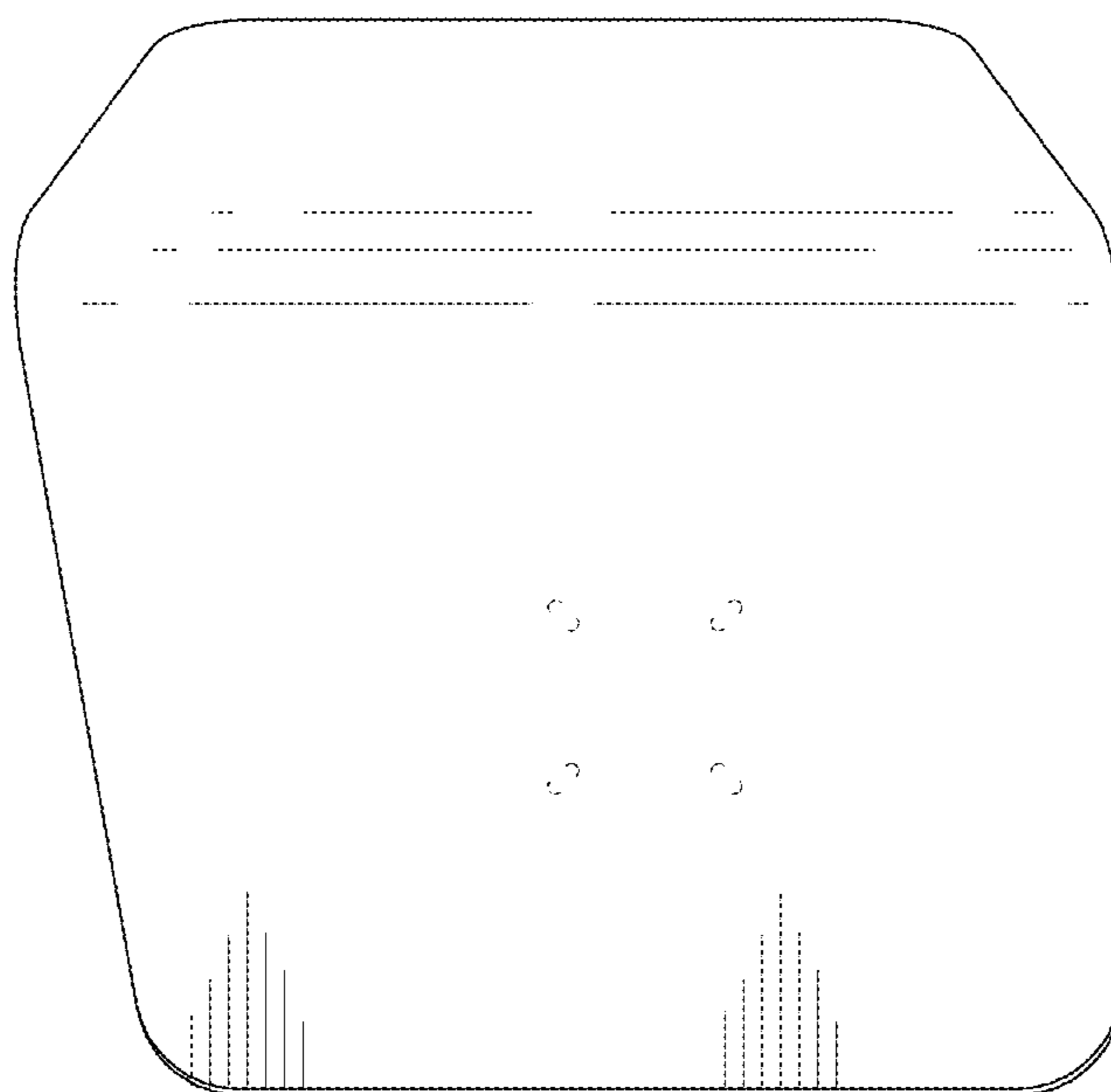


FIG. 4

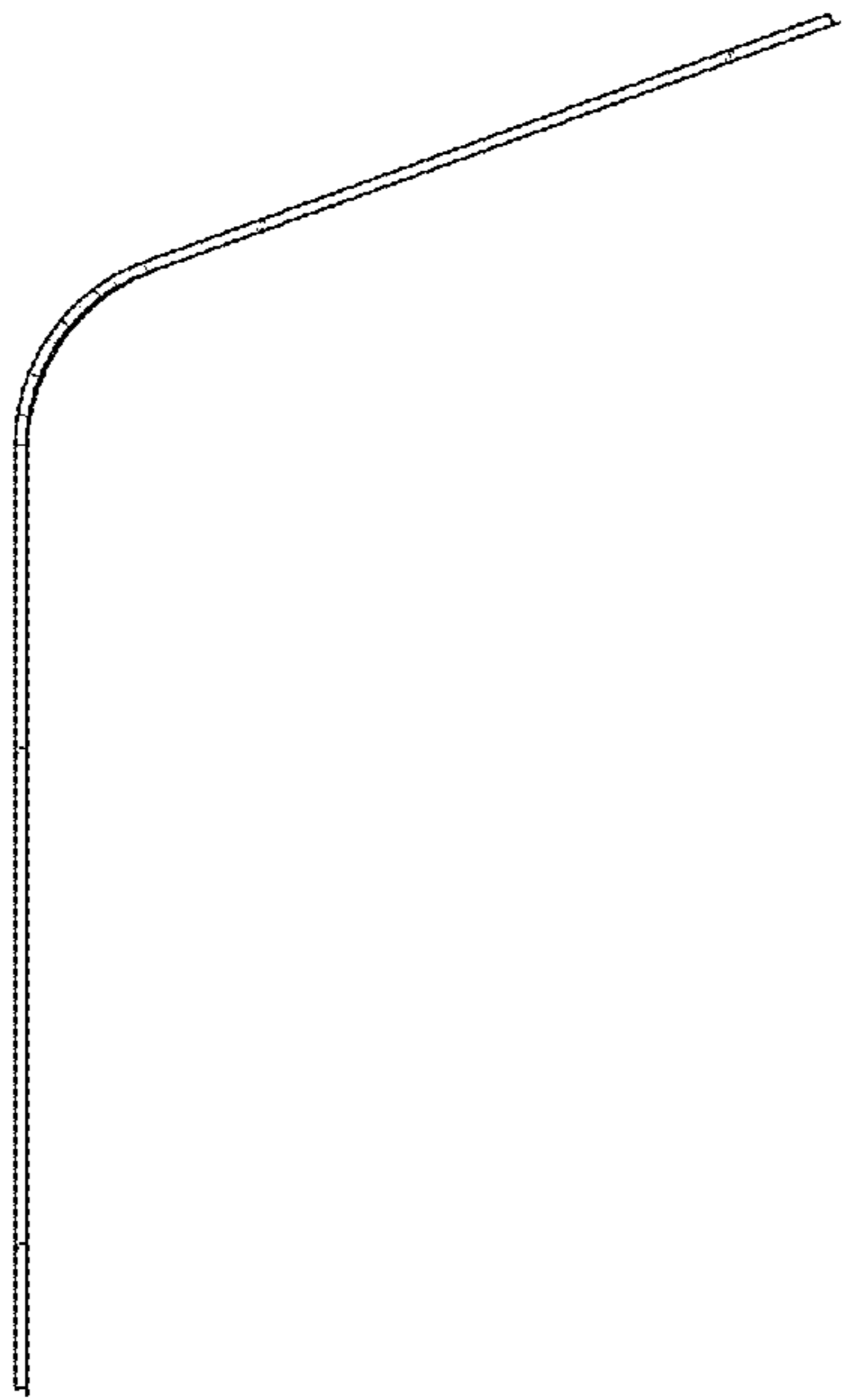


FIG. 5

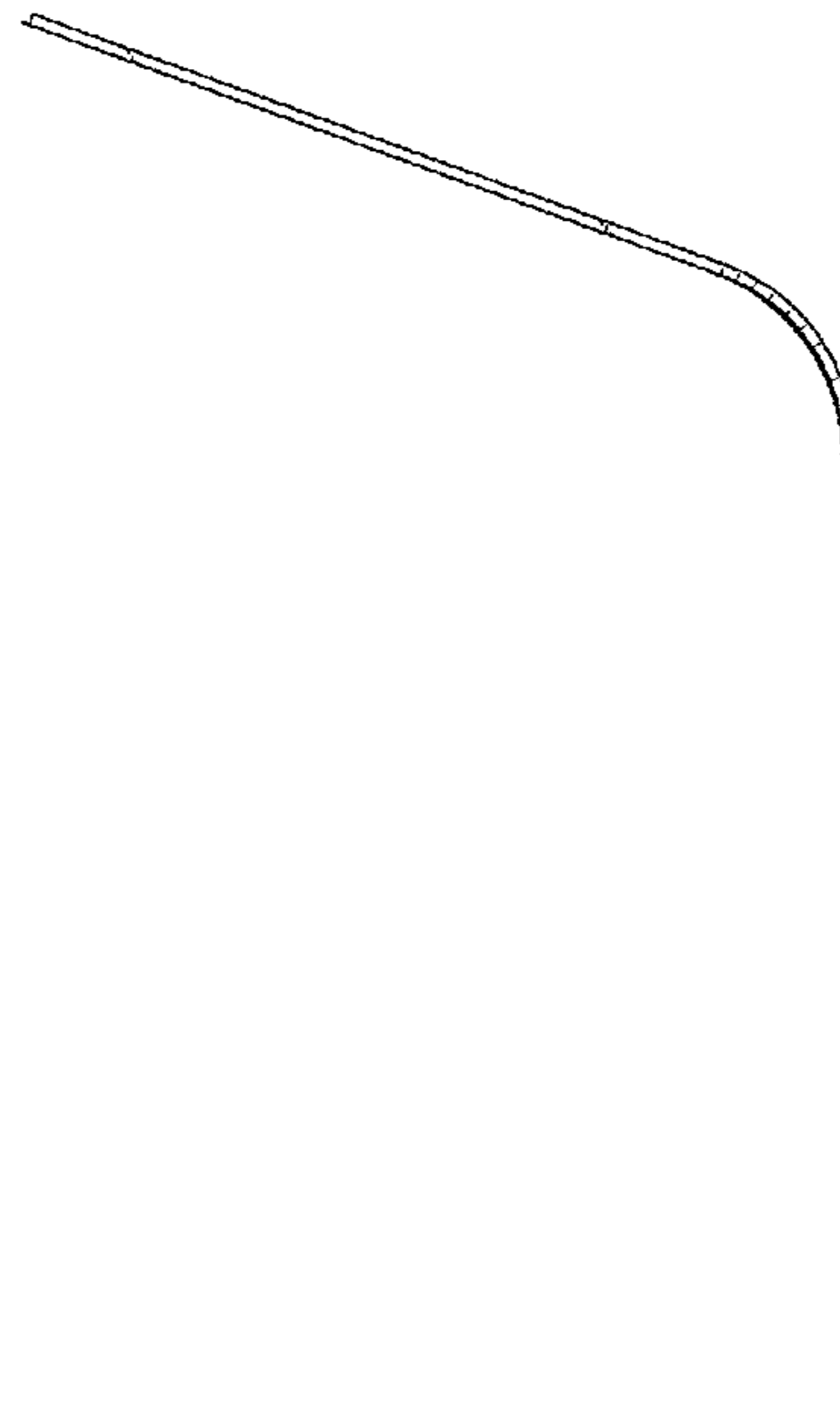


FIG. 6

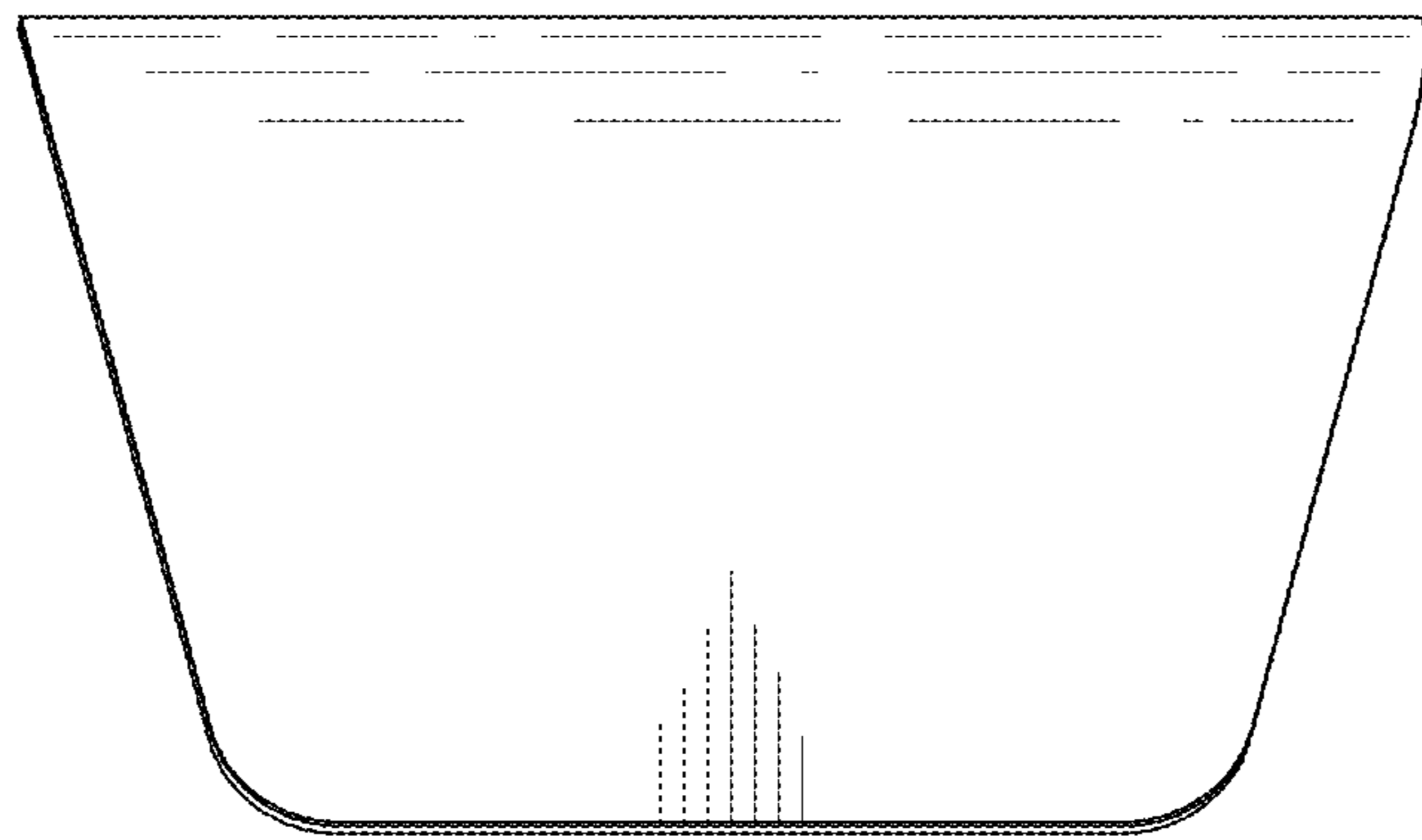


FIG. 7

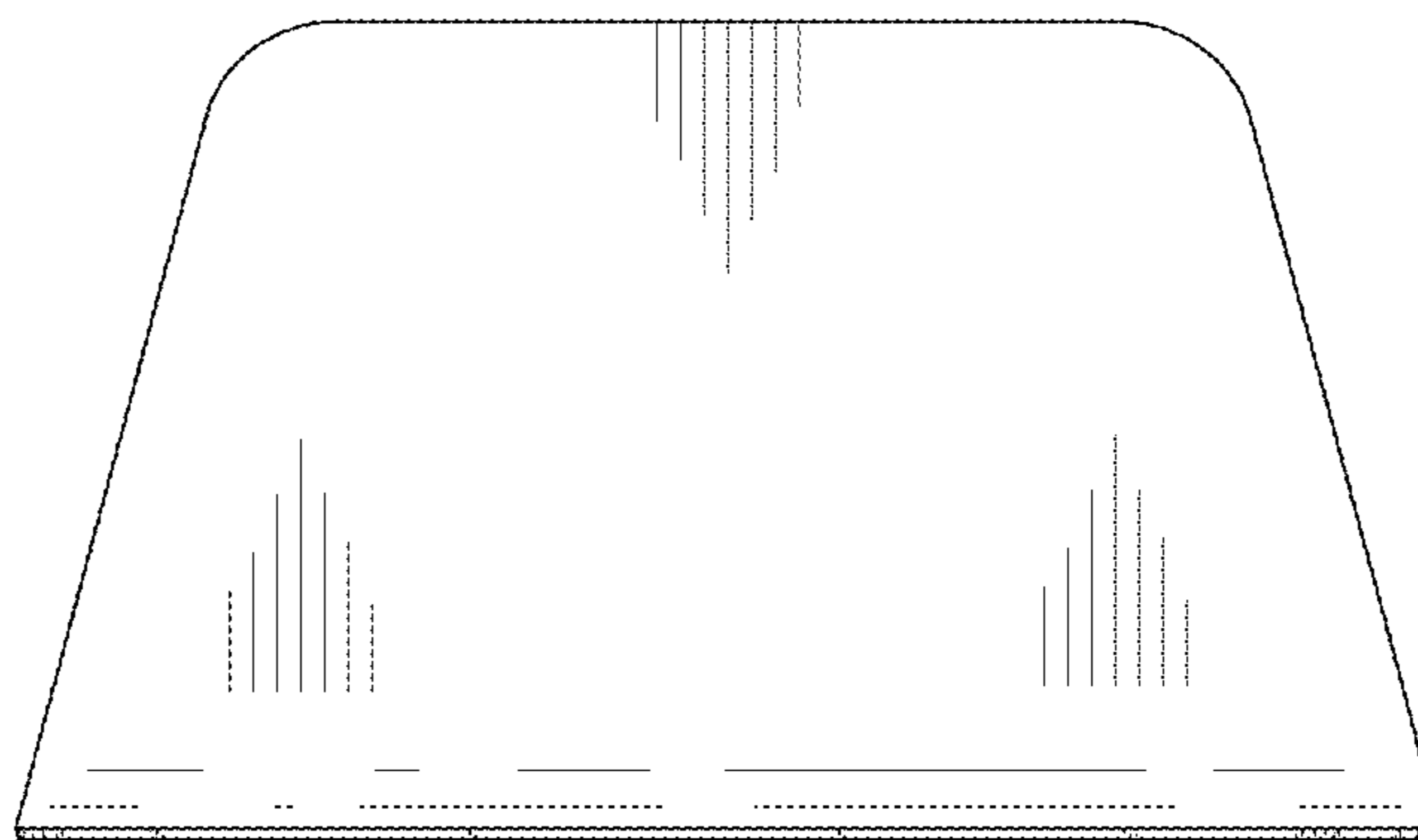


FIG. 8

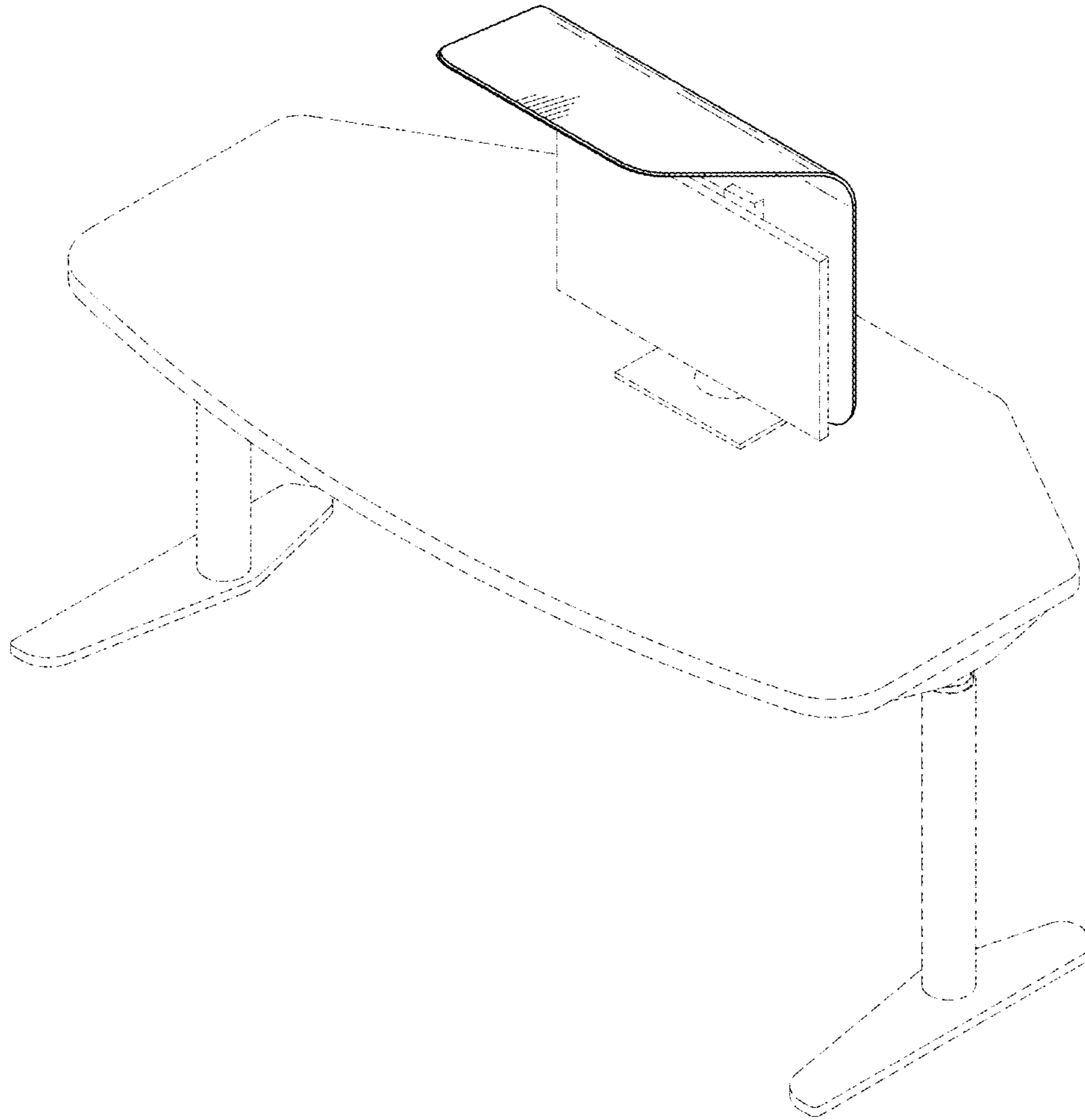


FIG. 9

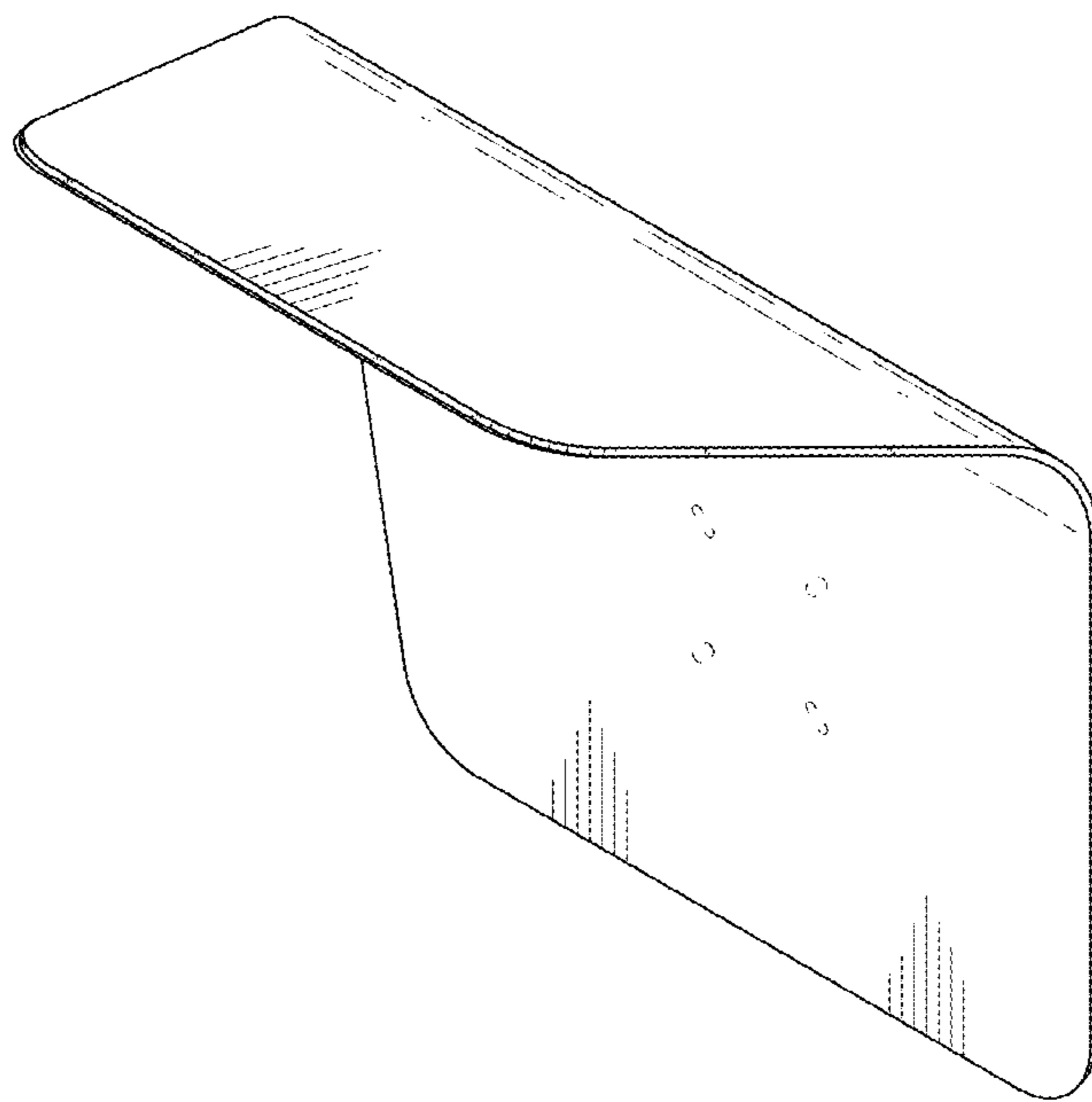


FIG. 10

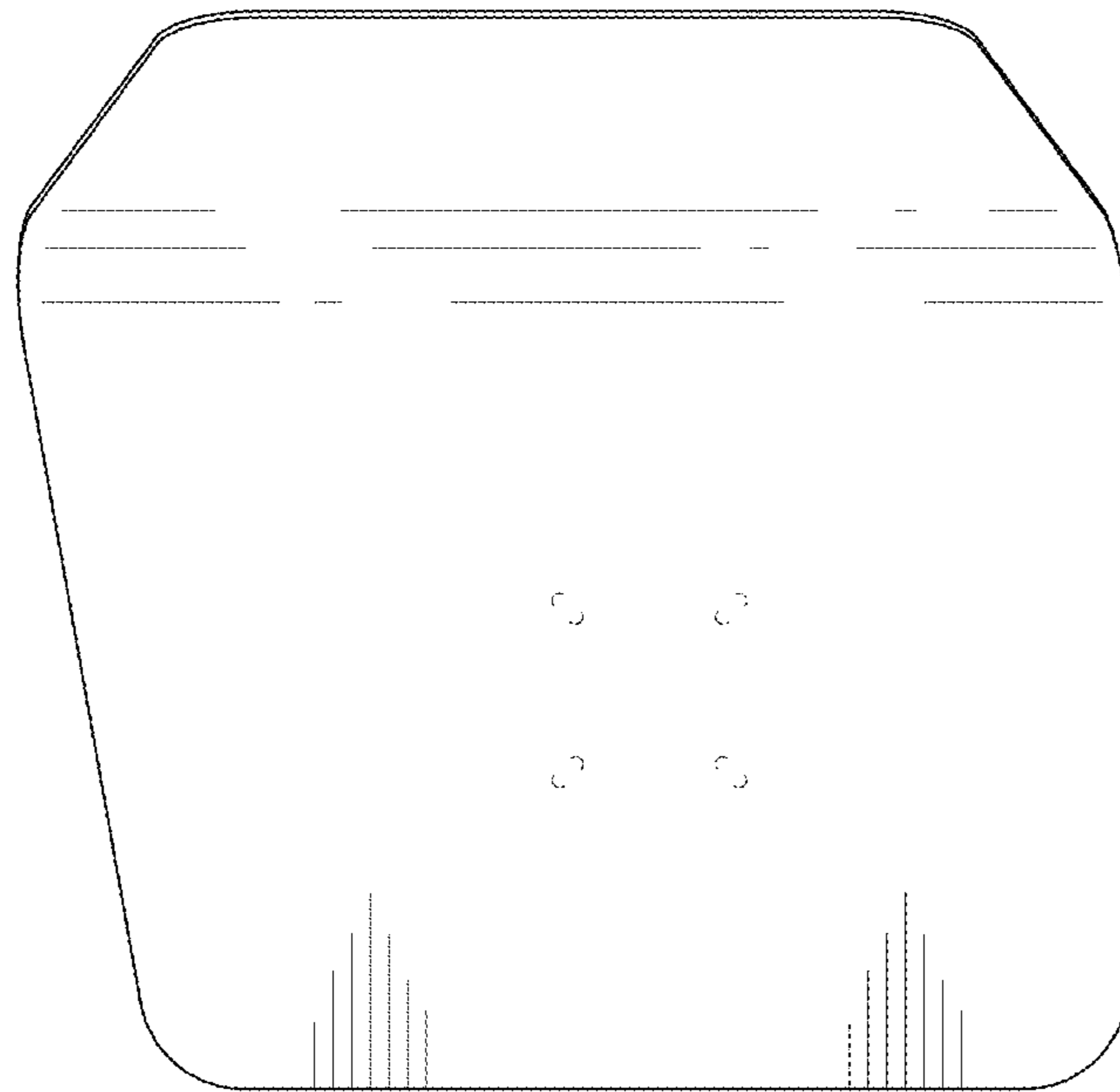


FIG. 11

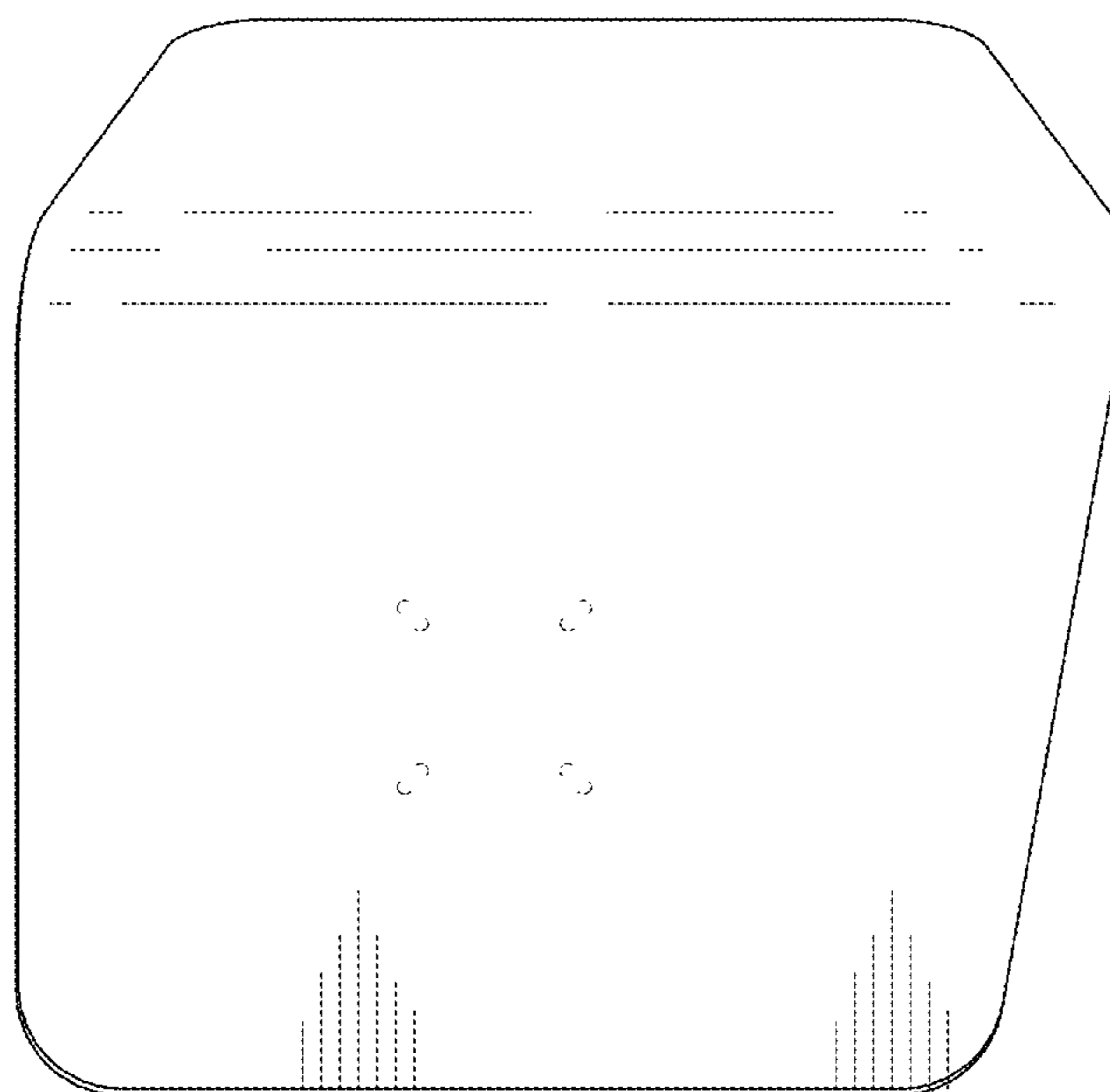


FIG. 12

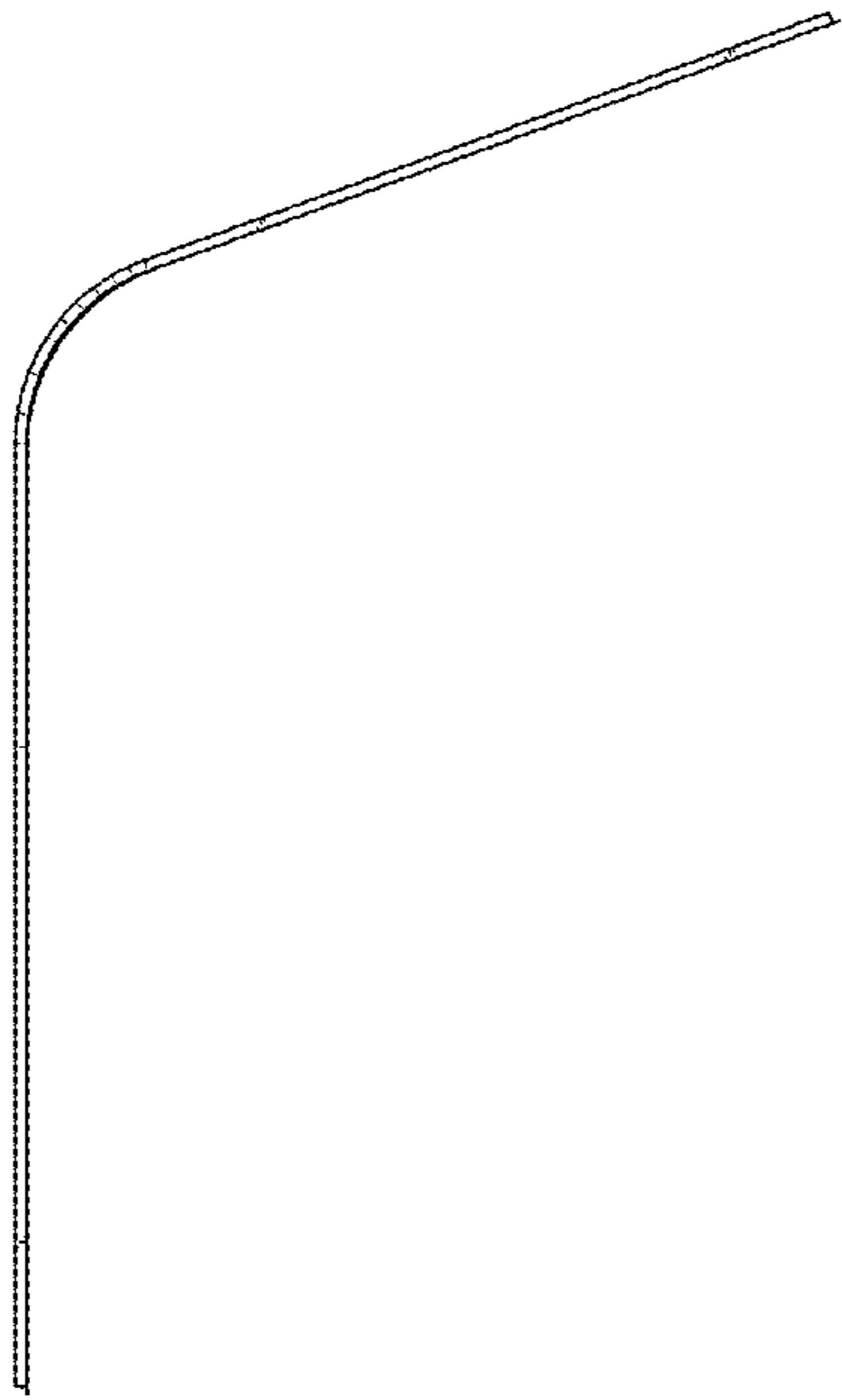


FIG. 13

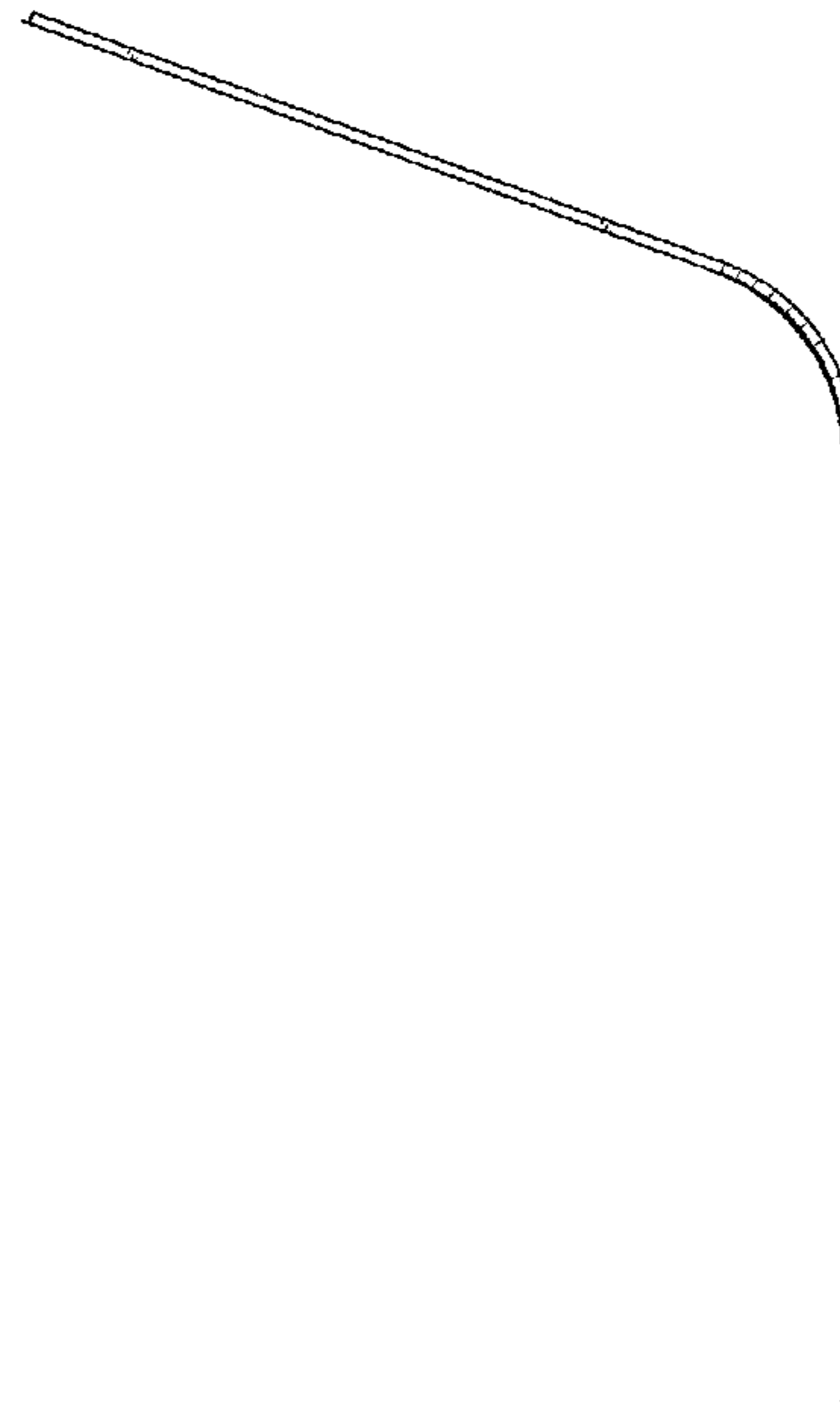


FIG. 14

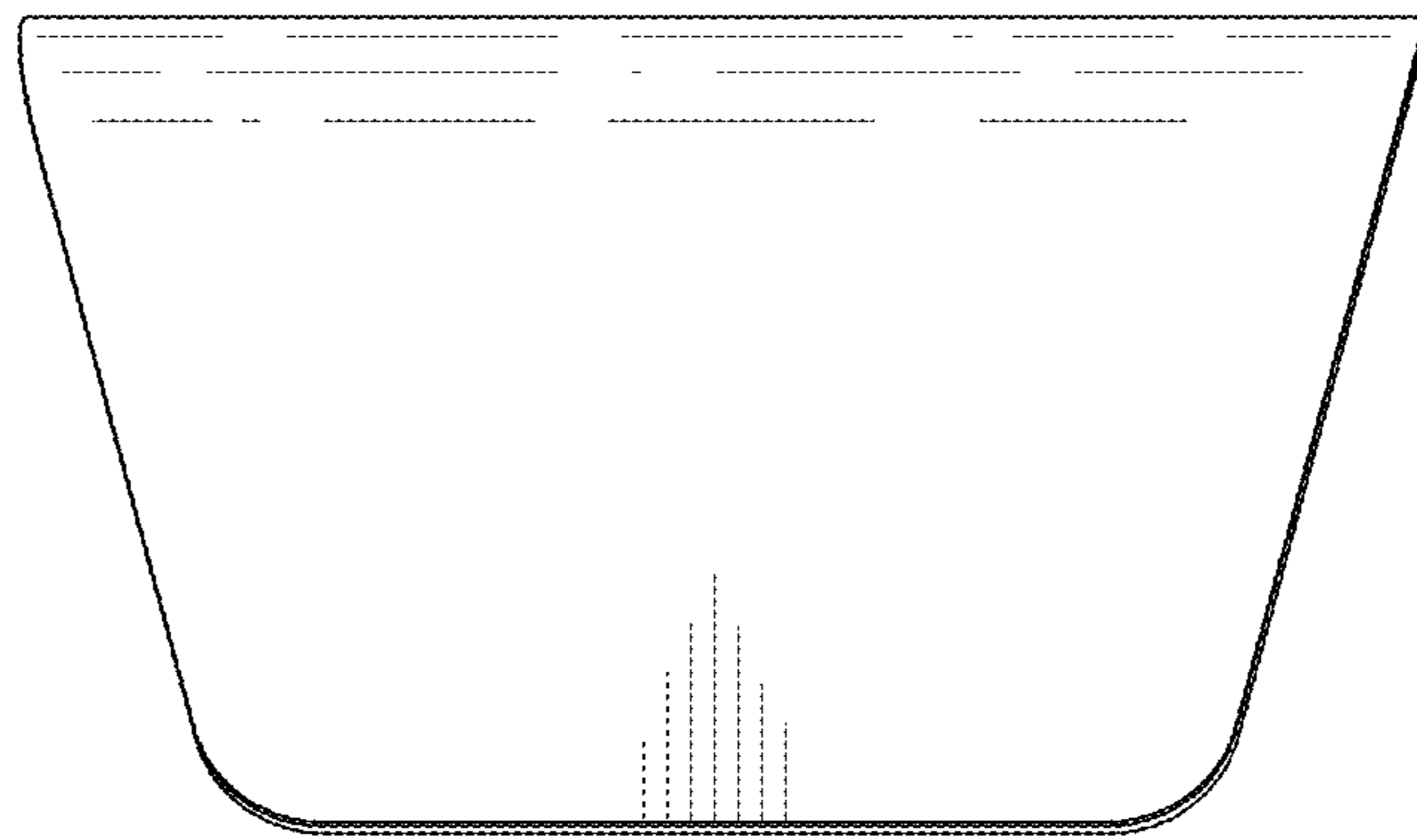


FIG. 15

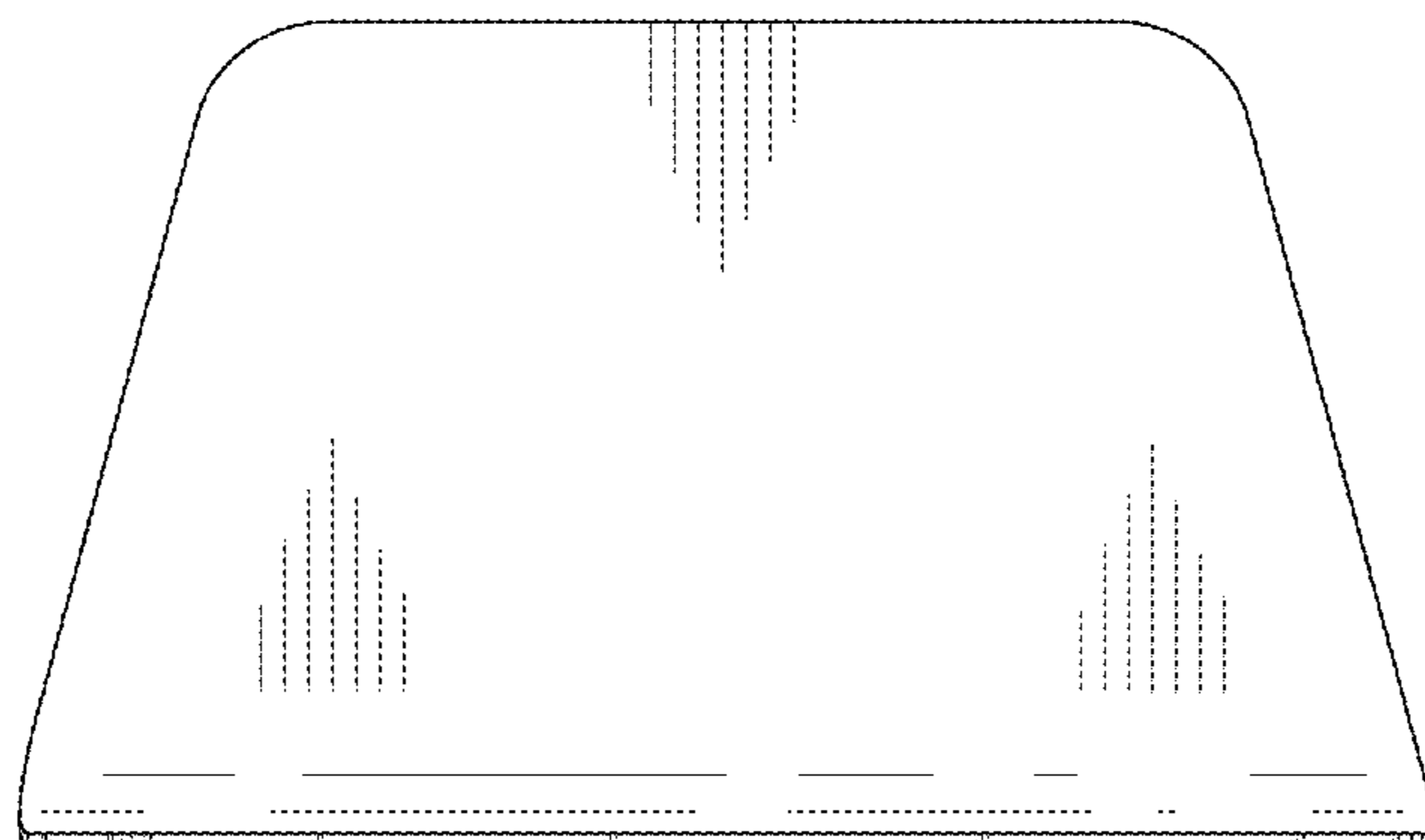


FIG. 16