



US00D917945S

(12) **United States Design Patent** (10) **Patent No.:** **US D917,945 S**
DeVries et al. (45) **Date of Patent:** **** May 4, 2021**

(54) **WHEEL ASSEMBLY**
(71) Applicant: **Exemplis LLC**, Cypress, CA (US)
(72) Inventors: **Paul DeVries**, Huntington Beach, CA (US); **Mitchell Mulder**, White Salmon, WA (US)
(73) Assignee: **EXEMPLIS LLC**, Cypress, CA (US)
(**) Term: **15 Years**
(21) Appl. No.: **29/650,977**

(22) Filed: **Jun. 11, 2018**
(51) **LOC (13) Cl.** **06-01**
(52) **U.S. Cl.**
USPC **D6/708.24; D8/375**
(58) **Field of Classification Search**
USPC D6/334-336, 364, 365, 366, 367, 374, D6/375, 379, 380, 716, 716.1, 716.2, D6/716.4, 708.23, 708.24; D8/375
CPC A47C 7/002; A47C 7/004; A47C 7/006; A47C 7/18; A47C 7/24; A47C 7/48; A47C 3/20; A47C 3/24; B60B 33/00; B60B 33/001; B60B 33/0002; B60B 33/0028; B60B 33/0039; B60B 33/0044; B60B 33/0047; B60B 33/0068; Y10T 16/18;

(Continued)

(56) **References Cited**

U.S. PATENT DOCUMENTS

2,059,348 A * 11/1936 Herold B60B 33/00 16/18 CG
2,129,579 A * 9/1938 Herold B60B 33/0002 16/18 CG

D130,592 S 12/1941 Parkhill
(Continued)

FOREIGN PATENT DOCUMENTS

AU 201817441 12/2018
AU 201911023 5/2019

(Continued)

Primary Examiner — Mimosa De
(74) *Attorney, Agent, or Firm* — Knobbe, Martens, Olson & Bear, LLP

(57) **CLAIM**

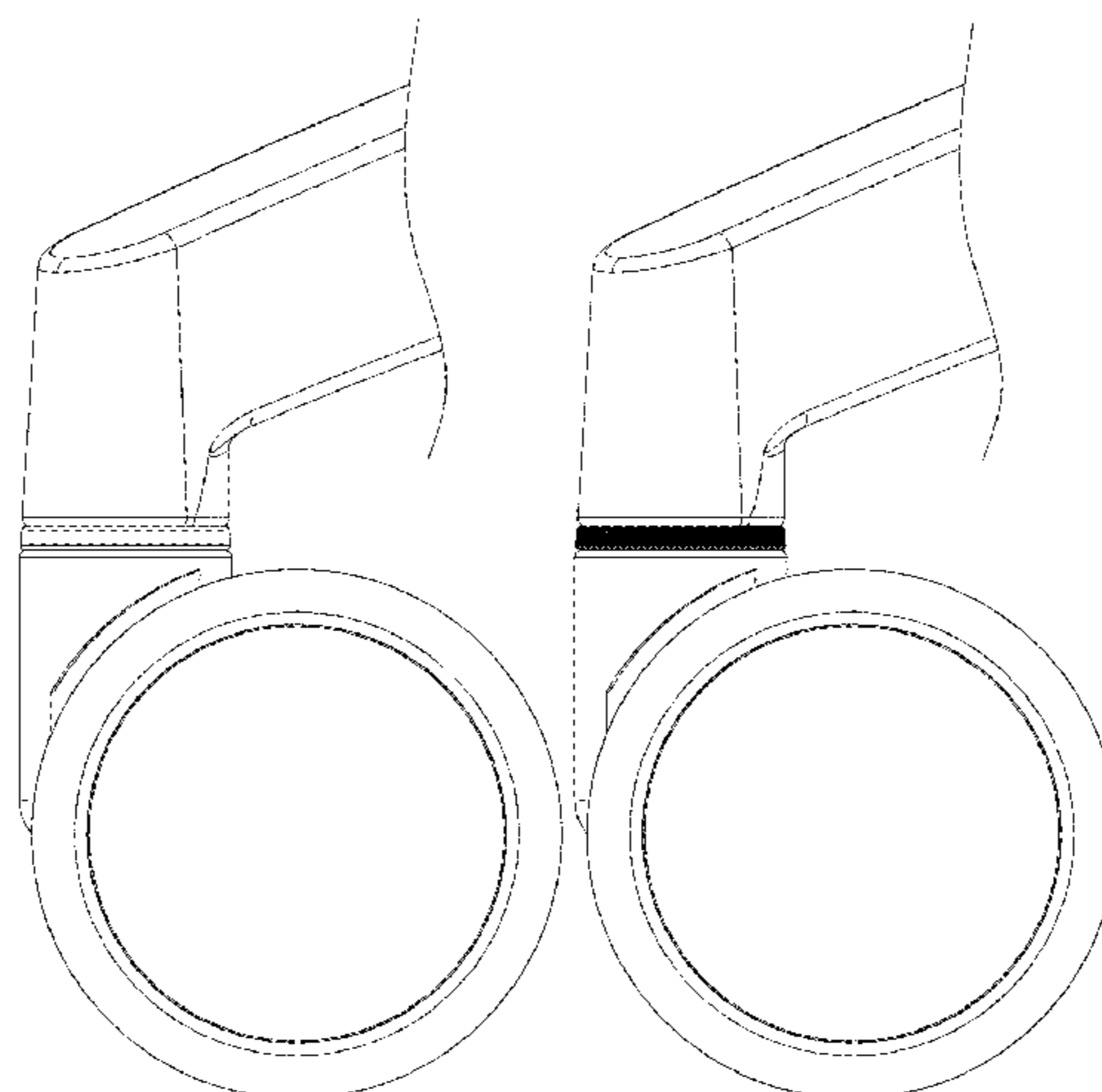
The ornamental design for a wheel assembly, as shown and described.

DESCRIPTION

FIG. 1 is a top, rear, and left side perspective view of a first embodiment of the wheel assembly;
FIG. 2 is a bottom, front and right side perspective view thereof;
FIG. 3 is a front elevational view thereof;
FIG. 4 is a rear elevational view thereof;
FIG. 5 is a right-side elevational view thereof;
FIG. 6 is a left-side elevational view thereof;
FIG. 7 is a top plan view thereof;
FIG. 8 is a bottom plan view thereof;
FIG. 9 is a top, rear, and left side perspective view of a second embodiment of the wheel assembly;
FIG. 10 is a bottom, front, and right side perspective view thereof;
FIG. 11 is a front elevational view thereof;
FIG. 12 is a rear elevational view thereof;
FIG. 13 is a right-side elevational view thereof;
FIG. 14 is a left-side elevational view thereof;
FIG. 15 is a top plan view thereof; and,
FIG. 16 is a bottom plan view thereof.

Broken lines are used to illustrate portions of the wheel assembly that form no part of the claimed design. Additionally, some portions of some embodiments are illustrated with solid black surface shading for indicating that such portions have a contrasting color relative to the portions adjacent thereto, the portions illustrated with such solid black surface shading being either darker or lighter to the adjacent portions that have no surface shading.

1 Claim, 16 Drawing Sheets



(58) **Field of Classification Search**
 CPC Y10T 16/209; Y10T 16/216; A48B 91/06;
 F16C 16/006; F16C 2326/02
 See application file for complete search history.

(56) **References Cited**

U.S. PATENT DOCUMENTS

3,691,590	A *	9/1972	Drabert	B60B 33/00	
				16/18 R	
D241,611	S	9/1976	Crescenzi et al.		
D288,287	S *	2/1987	Screen	D8/375	
D296,300	S	6/1988	Doyle et al.		
D310,622	S *	9/1990	Screen	D8/375	
D319,384	S *	8/1991	Lange	D8/375	
D329,011	S	9/1992	Block		
D340,182	S *	10/1993	Soltani	D8/375	
D343,787	S *	2/1994	Finkeldey	D8/375	
D349,043	S *	7/1994	Carlson	D8/375	
D503,316	S	3/2005	Webb et al.		

D505,316	S *	5/2005	Topel	D8/375
D557,121	S	12/2007	Screen	
D557,123	S	12/2007	Screen	
D570,200	S *	6/2008	Jen	D8/375
D573,452	S	7/2008	Graffunder et al.	
D593,400	S	6/2009	Jones et al.	
D593,847	S	6/2009	Graffunder et al.	
D594,316	S	6/2009	Rhein et al.	
D603,690	S	11/2009	Rhein et al.	
D662,401	S	6/2012	Lin et al.	
D720,385	S *	12/2014	Lampp	D16/245

FOREIGN PATENT DOCUMENTS

BR	302018055728-0	10/2019
CN	ZL201830715422.6	7/2019
EM	005876059-0001	2/2019
EM	005876059-0002	2/2019
EM	005876059-0003	2/2019

* cited by examiner

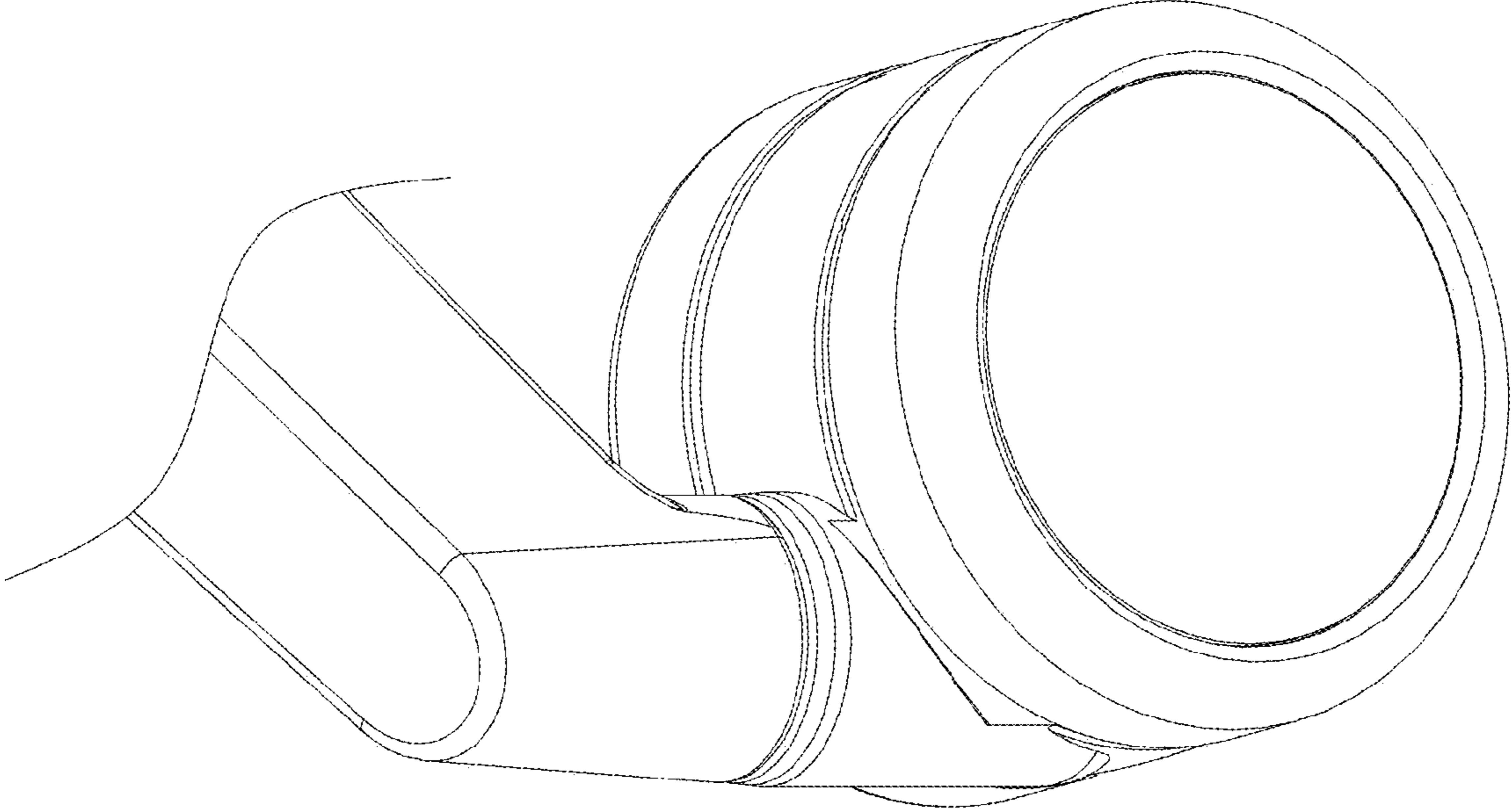


FIG. 1

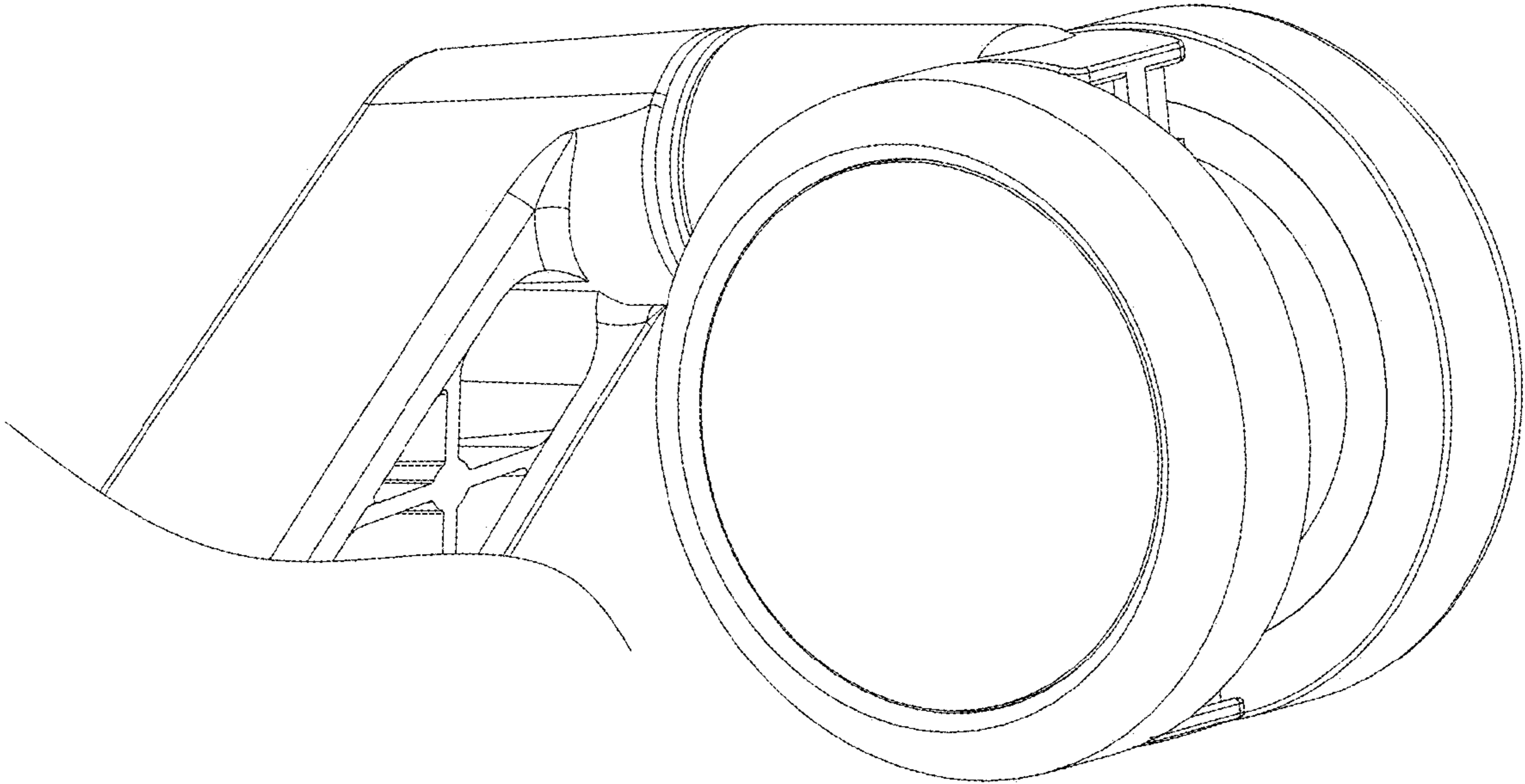


FIG. 2

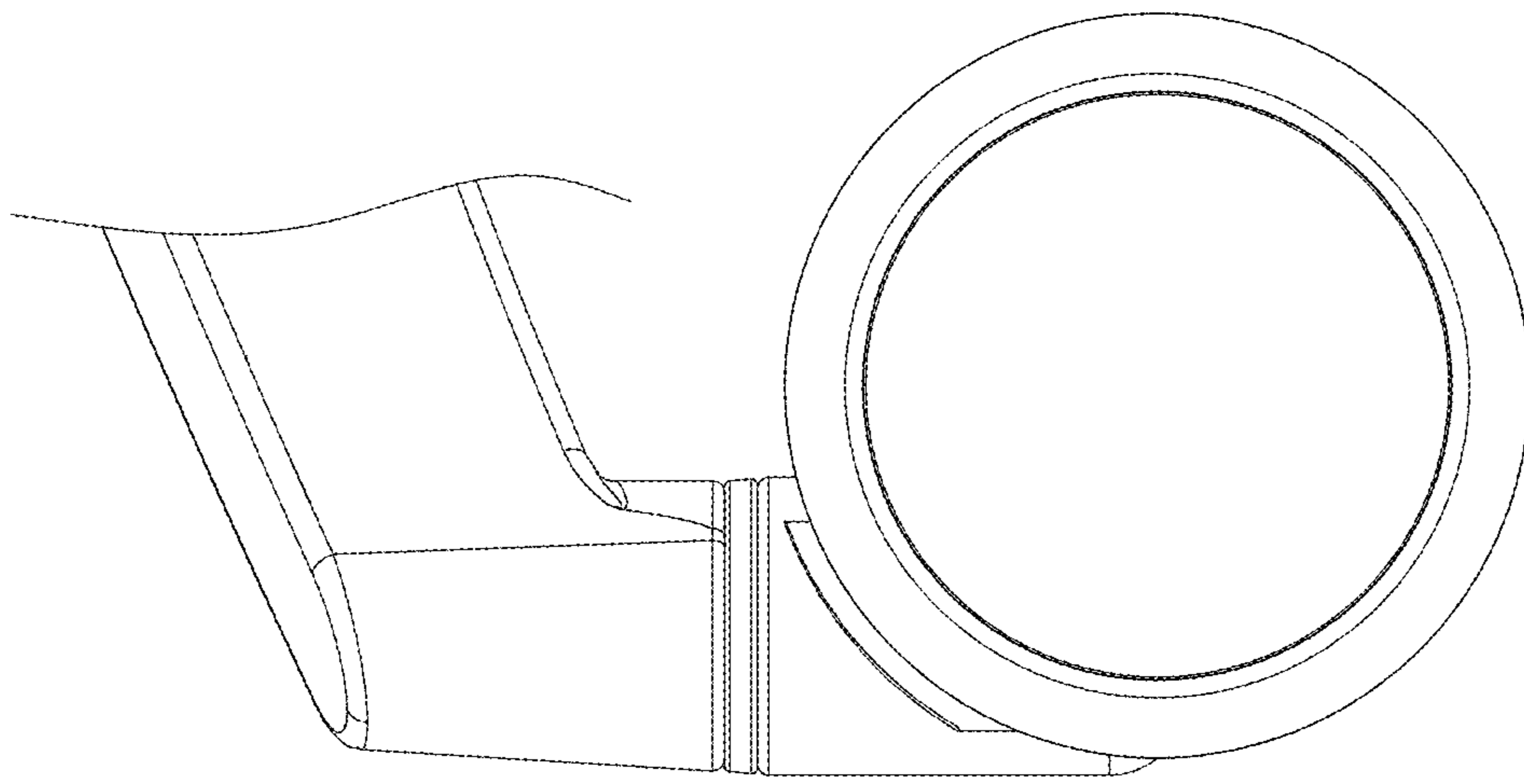


FIG. 3

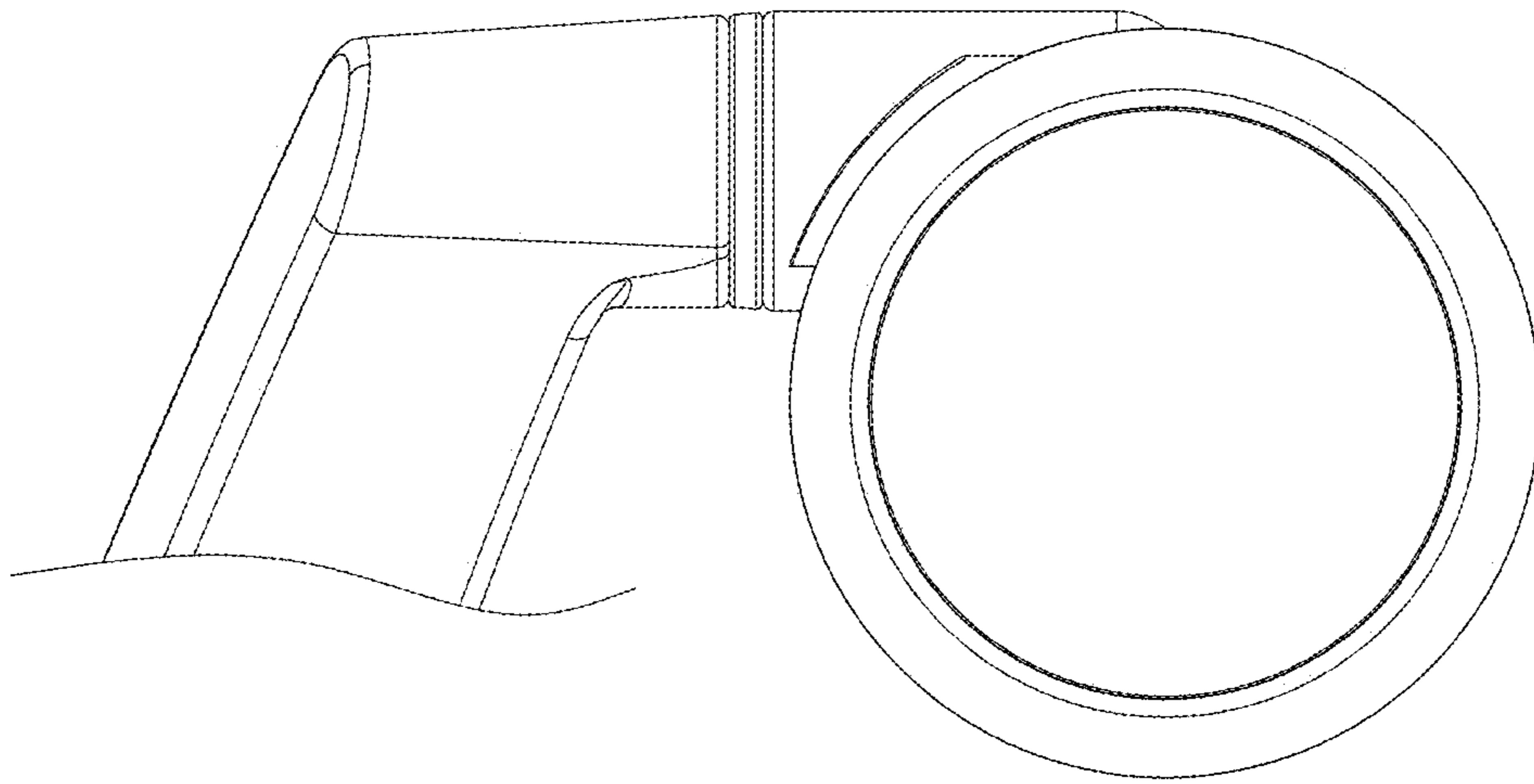


FIG. 4

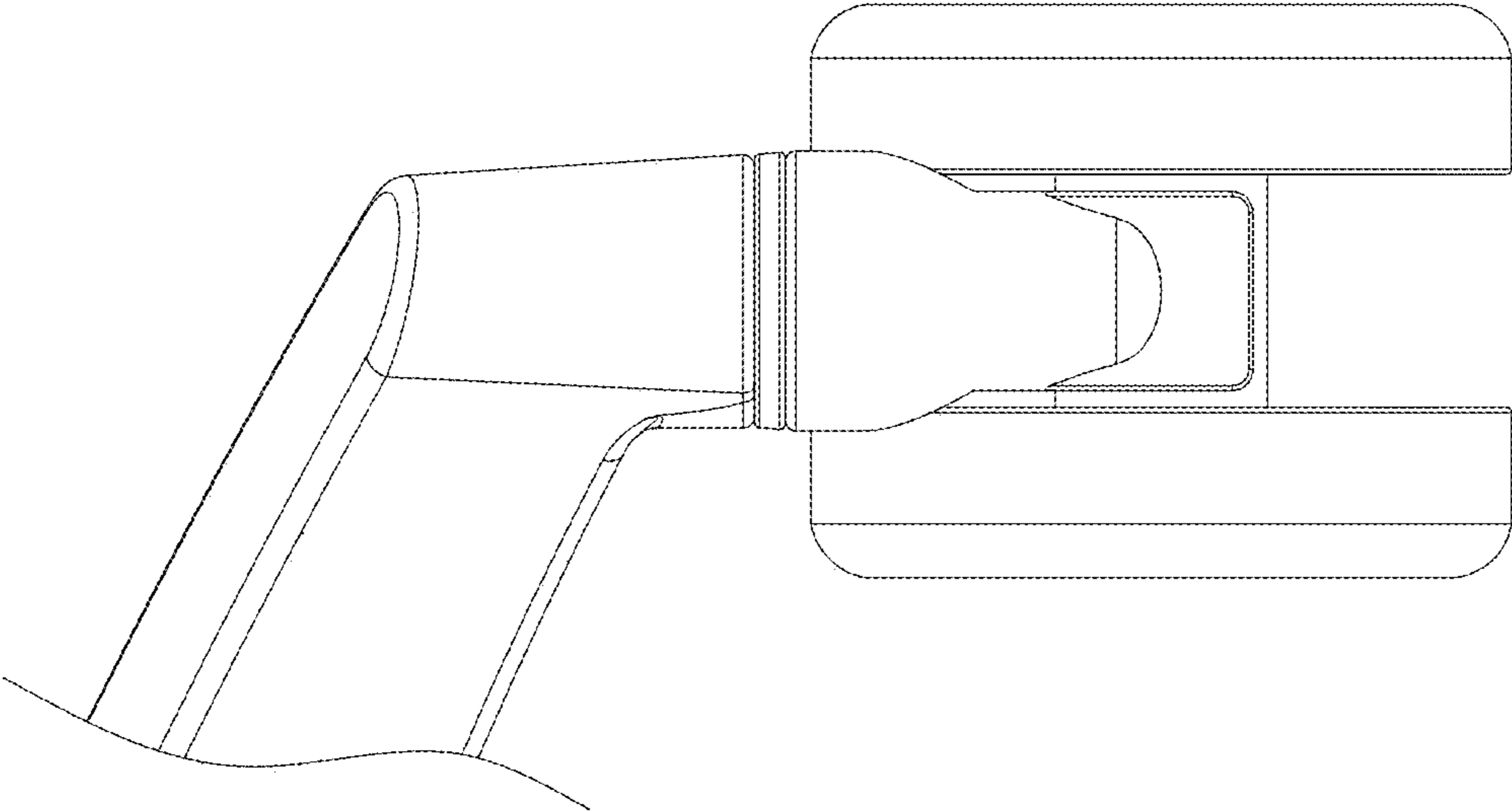


FIG. 5

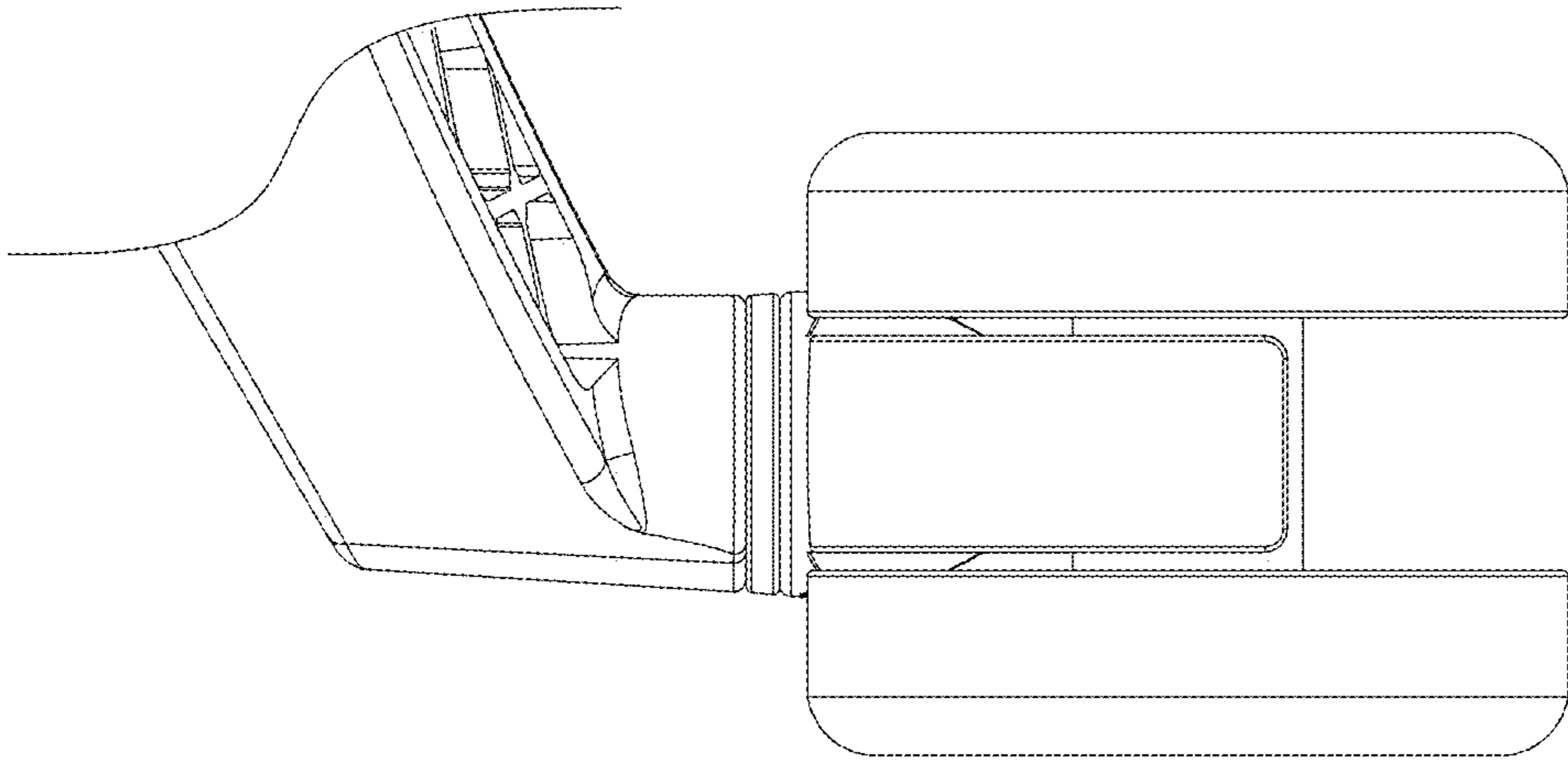


FIG. 6

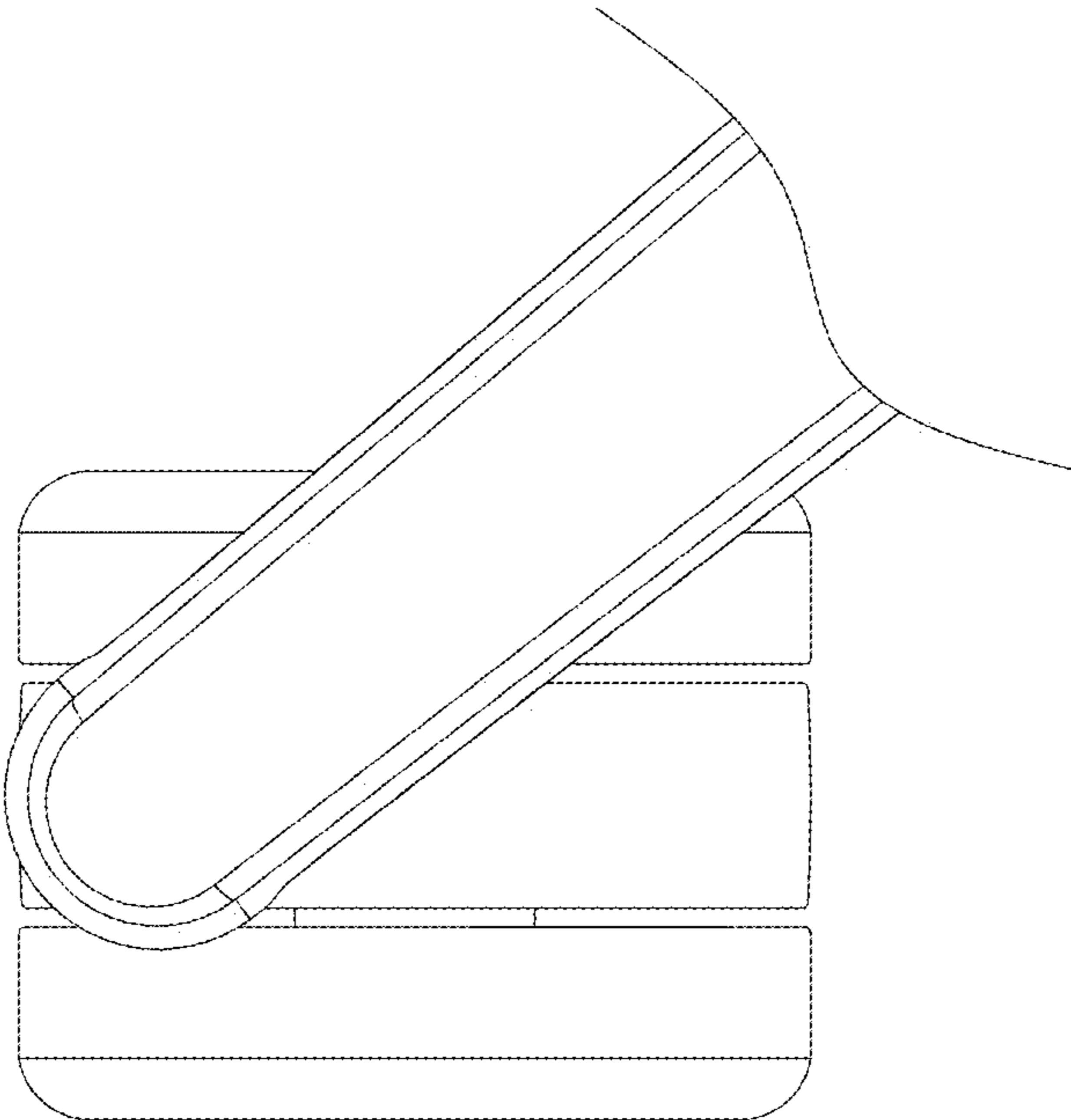


FIG. 7

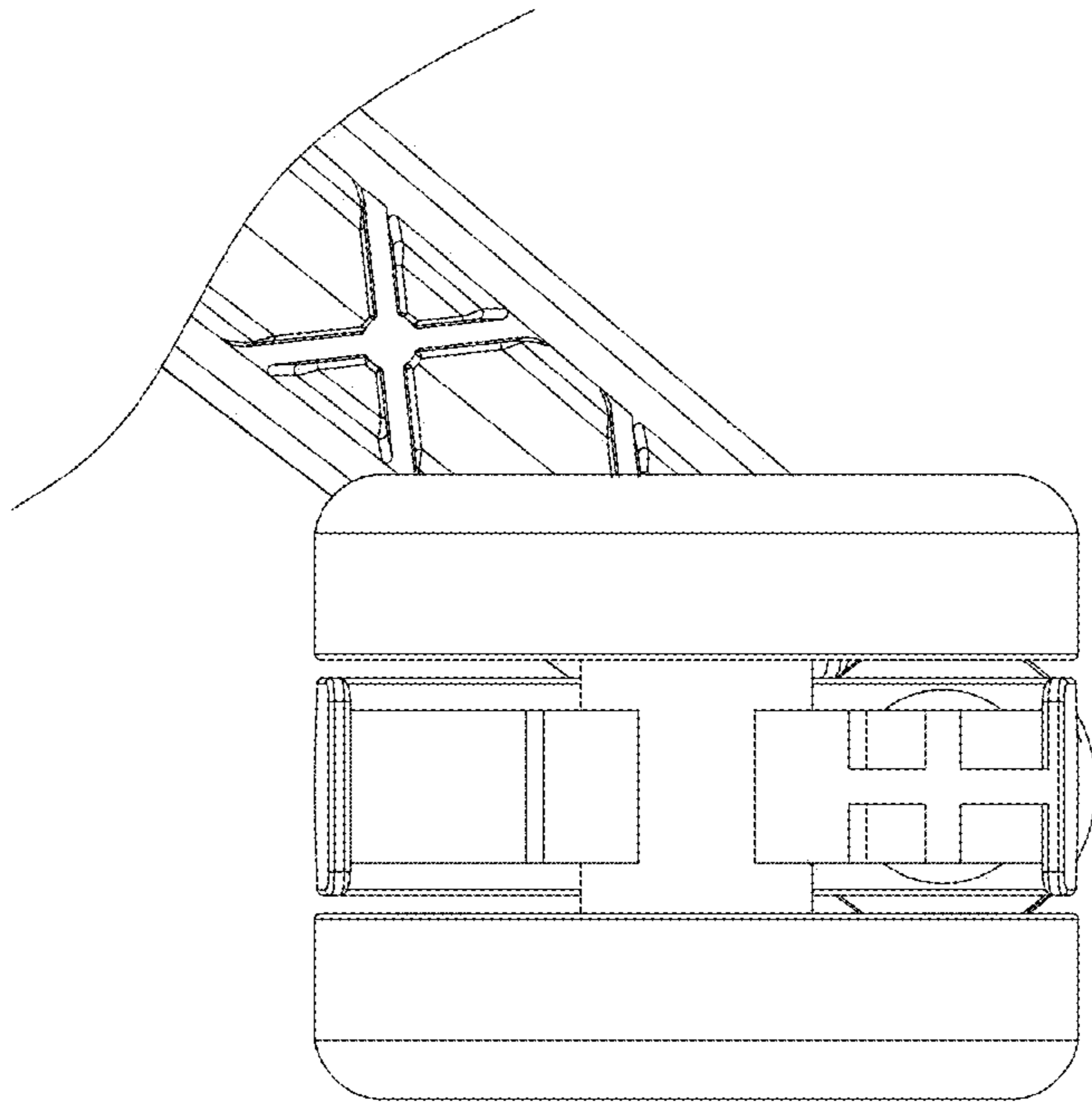


FIG. 8

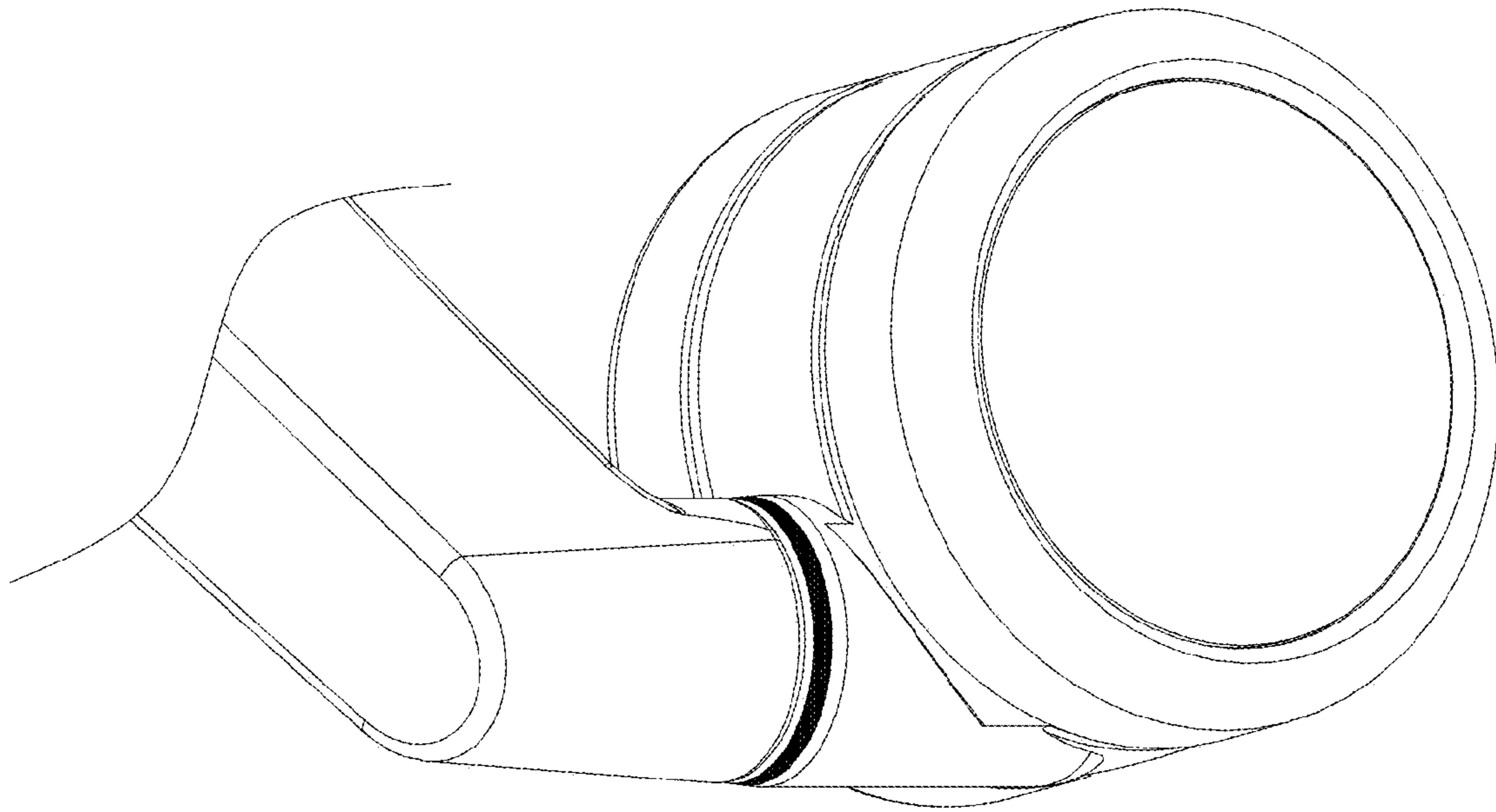


FIG. 9

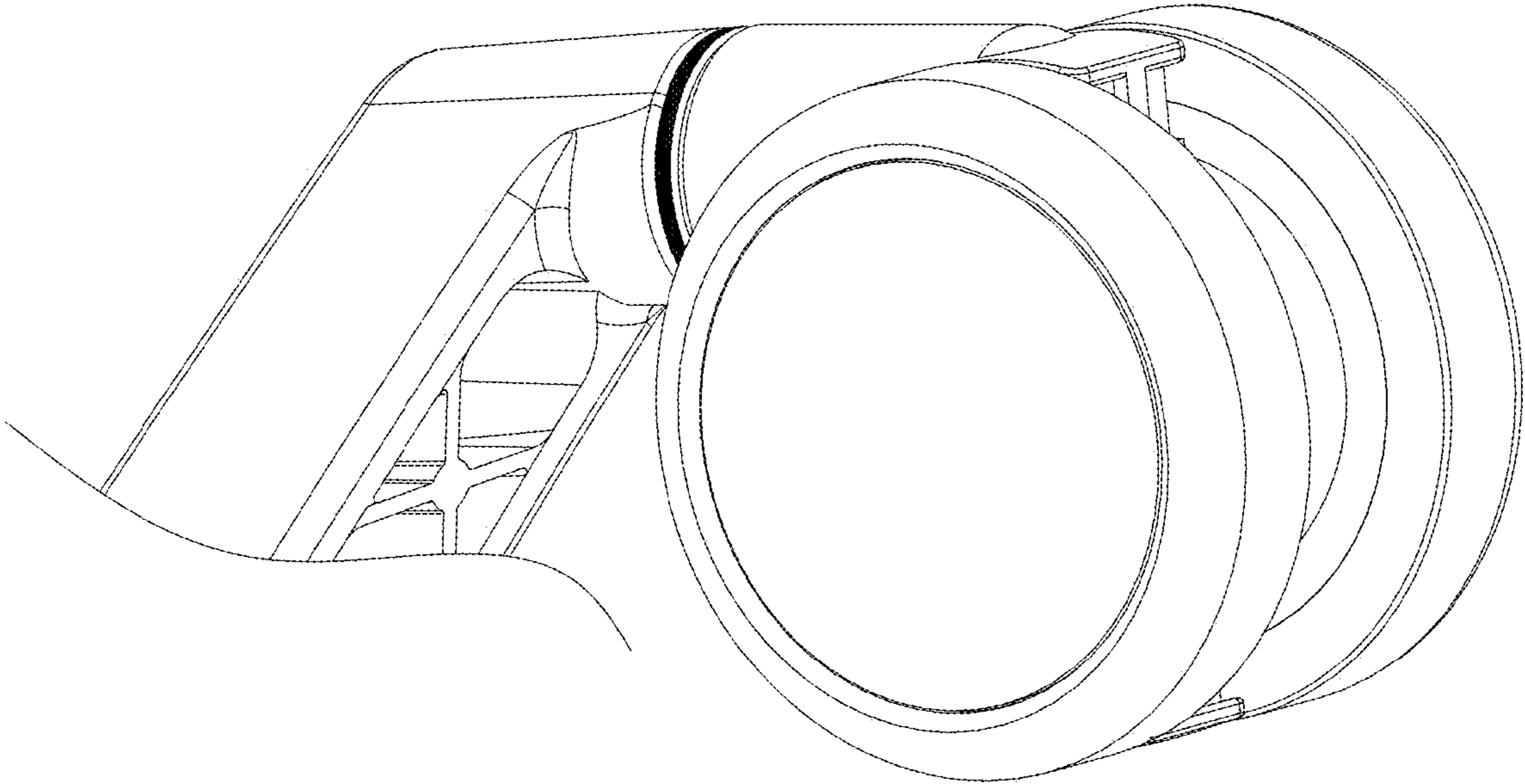


FIG. 10

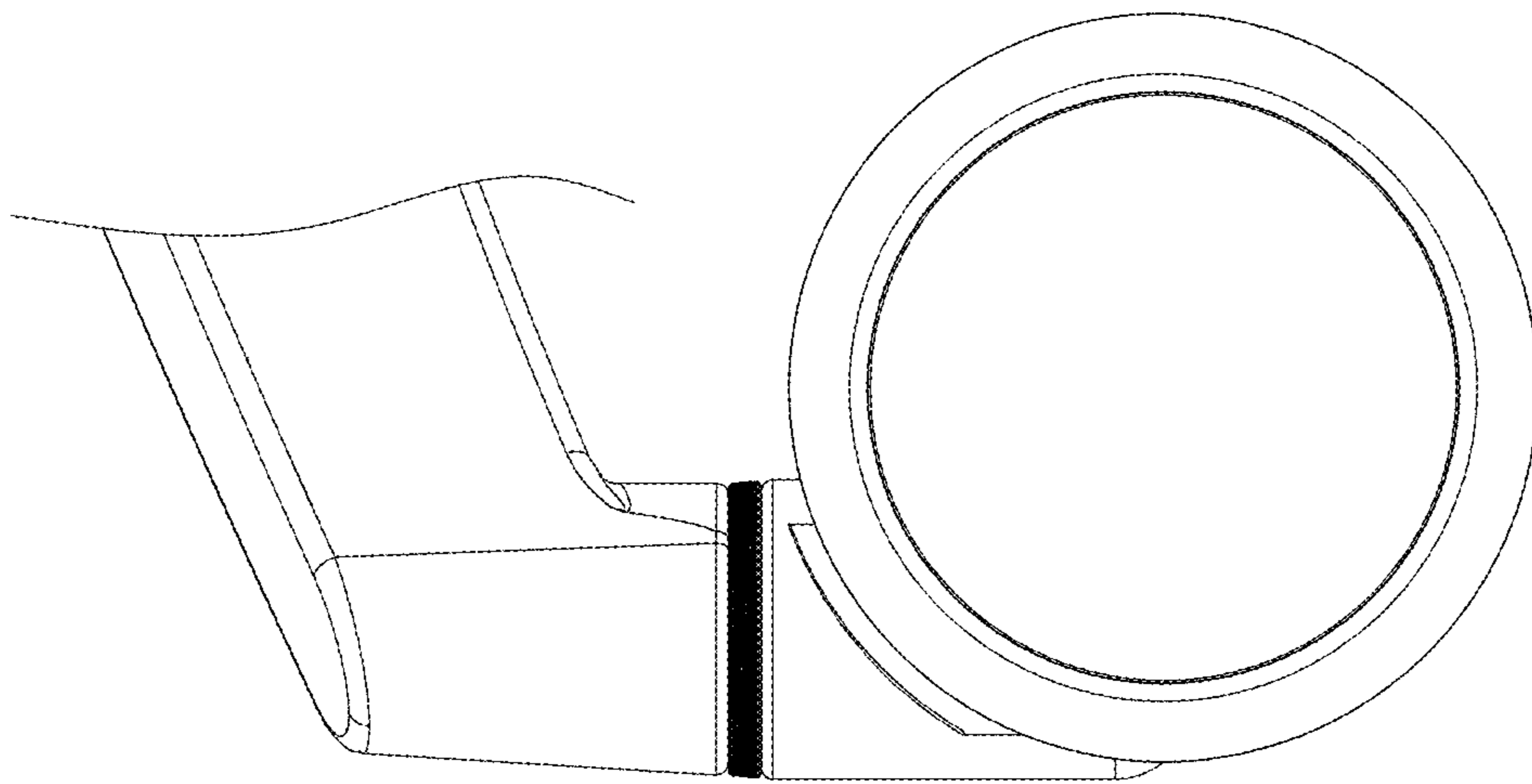


FIG. 11

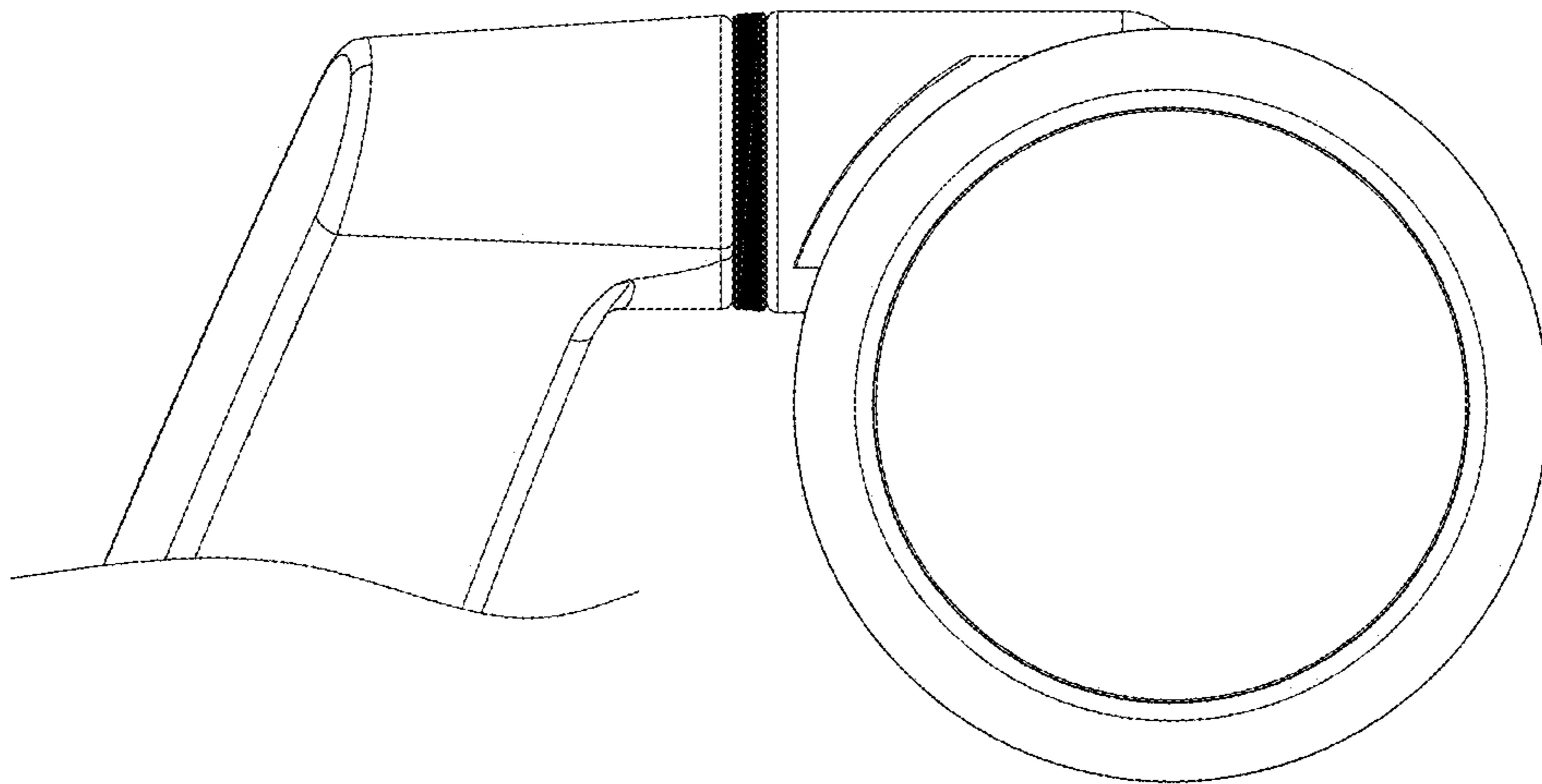


FIG. 12

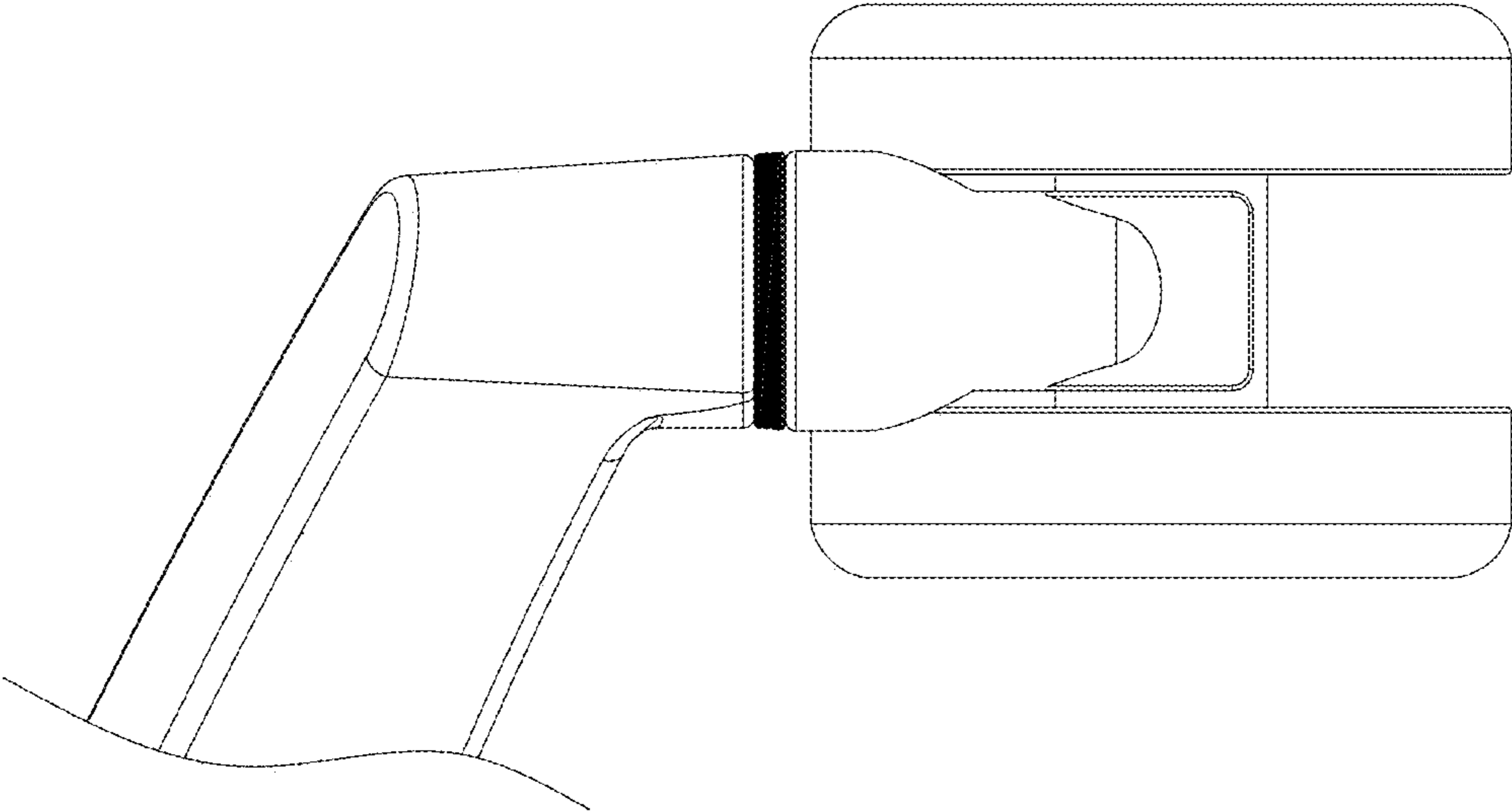


FIG. 13

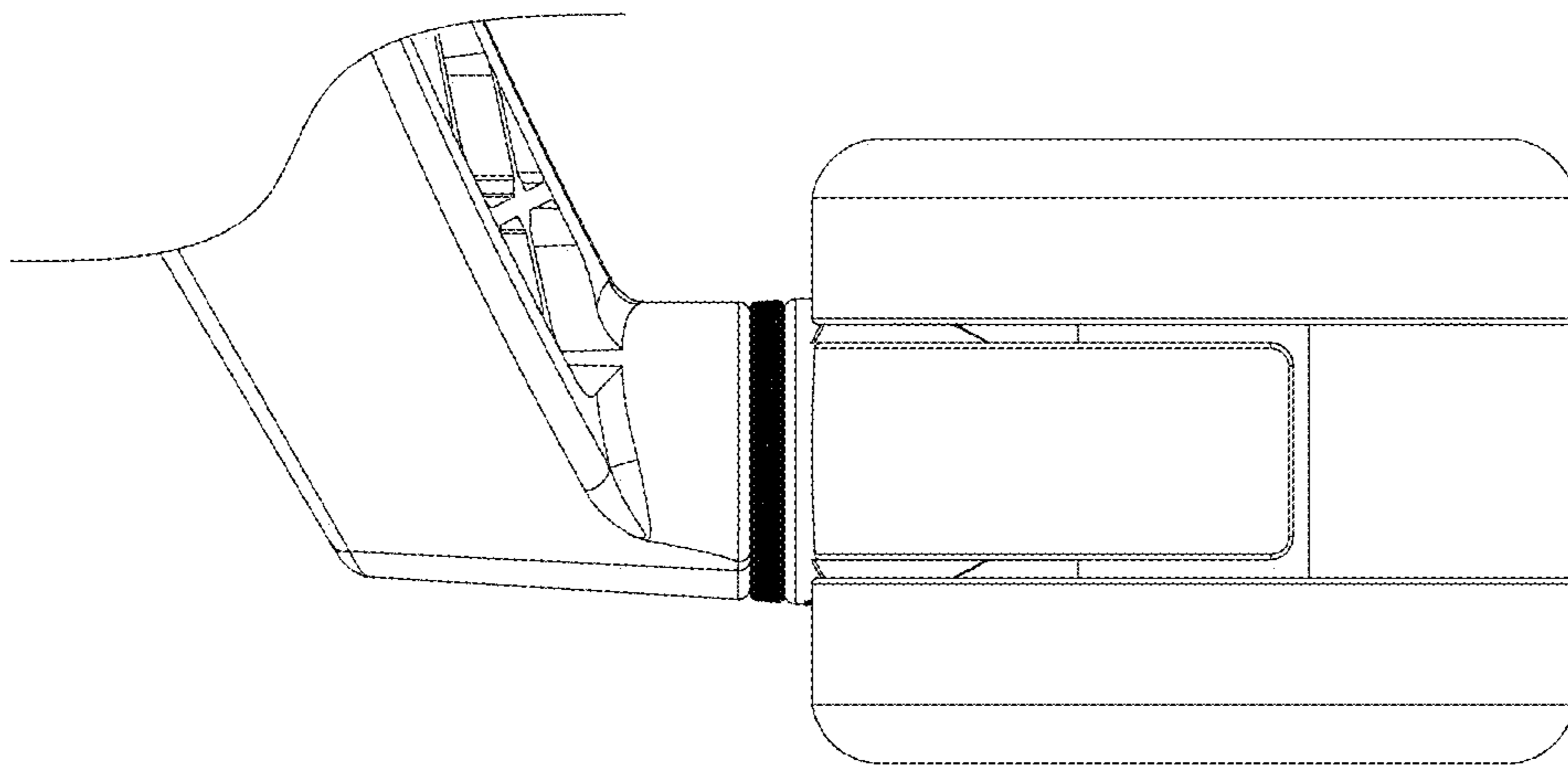


FIG. 14

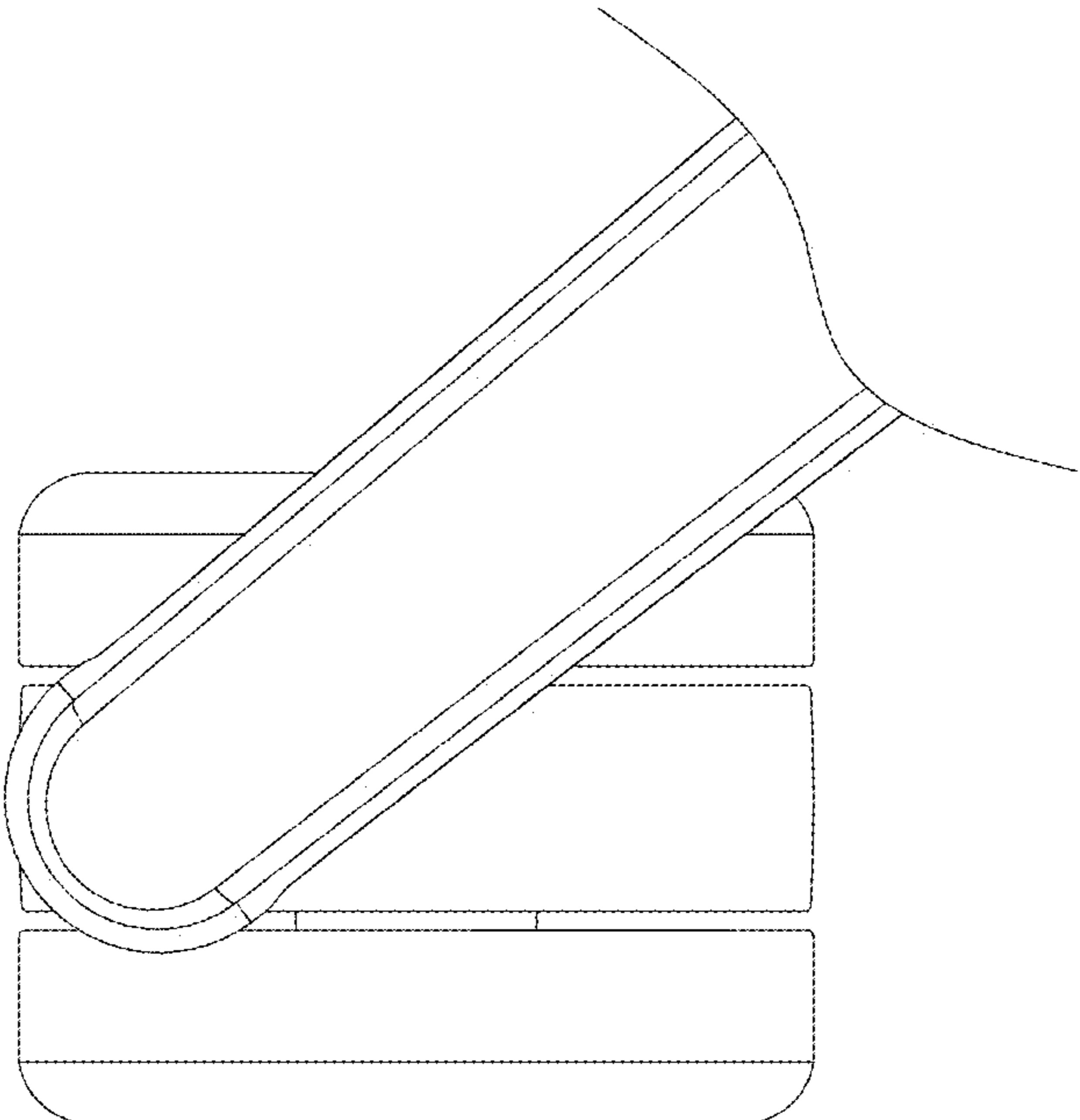


FIG. 15

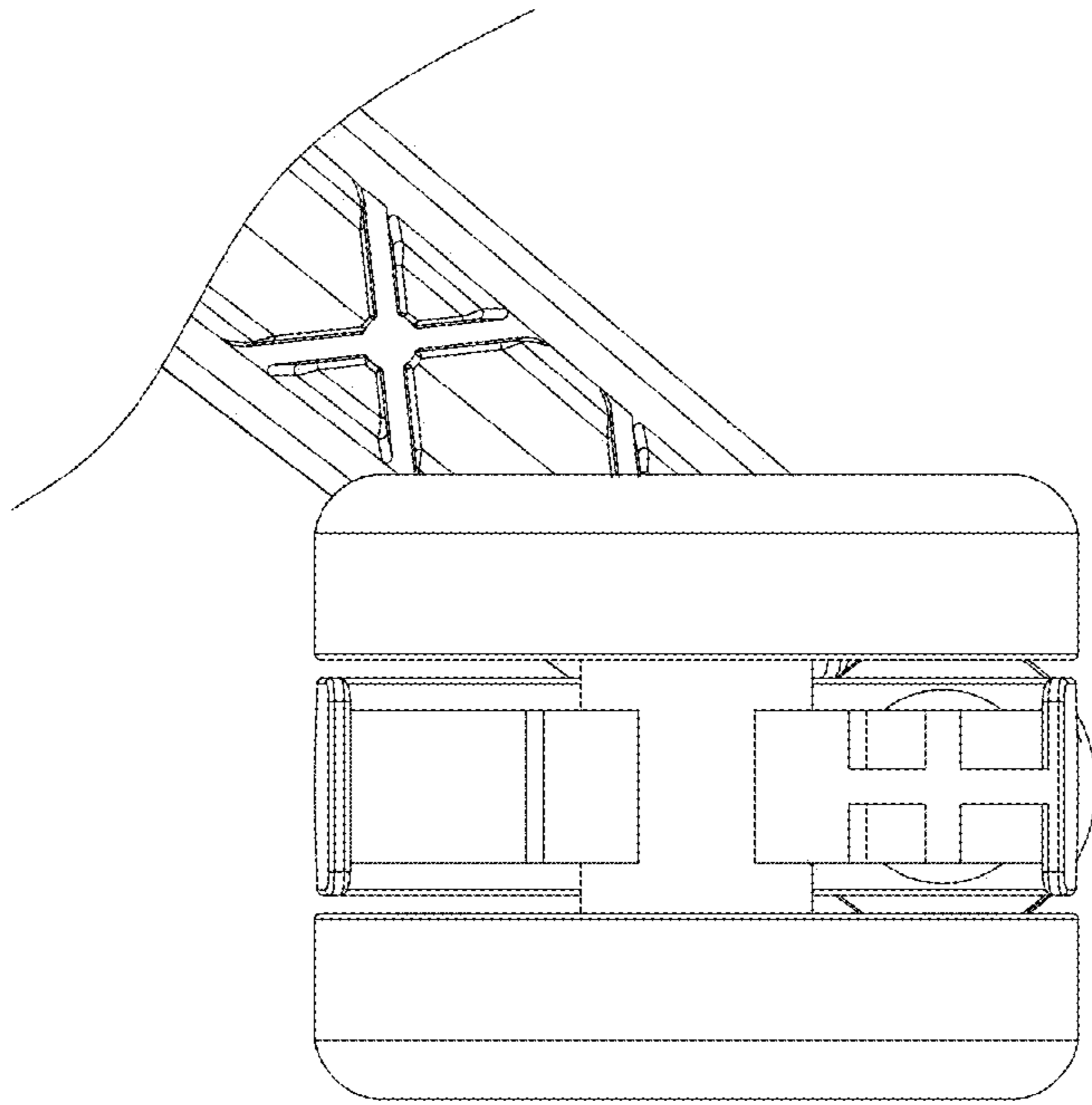


FIG. 16