



US00D917944S

(12) **United States Design Patent** (10) **Patent No.:** **US D917,944 S**
Kwantes (45) **Date of Patent:** **** May 4, 2021**

(54) **CABINET**
(71) Applicant: **Tekton, Inc.**, Grand Rapids, MI (US)
(72) Inventor: **Ryan J. Kwantes**, Grand Rapids, MI (US)
(73) Assignee: **Tekton, Inc.**, Grand Rapids, MI (US)
(**) Term: **15 Years**
(21) Appl. No.: **29/722,085**

Primary Examiner — Mimoso De
(74) Attorney, Agent, or Firm — Warner Norcross + Judd LLP

(22) Filed: **Jan. 27, 2020**
(51) **LOC (13) Cl.** **06-06**
(52) **U.S. Cl.**
USPC **D6/705.5**
(58) **Field of Classification Search**
USPC D6/663, 664, 664.1, 671, 671.1, 671.2,
D6/671.3, 671.4, 705, 705.1, 705.2,
D6/705.3, 705.4, 705.5; D3/295, 296,
D3/297, 298
CPC A47B 17/04; A47B 47/00; A47B 47/04;
A47B 57/00; A47B 67/00; A47B 67/04;
A47B 88/00; A47B 88/40; A47B 88/42;
A47B 88/402; A47B 88/407; A47B
88/413; A47B 88/417; A47B 88/433;
A47B 88/90; A47B 88/906; A47B 88/944
See application file for complete search history.

(57) **CLAIM**

The ornamental design for a cabinet, as shown and described.

DESCRIPTION

FIG. 1 is a top, front perspective view of a drawer from the cabinet embodying the new design;
FIG. 2 is a bottom, front perspective view of the drawer;
FIG. 3 is a sectional view of the drawer taken along line III-III of FIG. 1;
FIG. 4 is a right side view of the drawer;
FIG. 5 is a front view of the drawer;
FIG. 6 is a rear view of the drawer;
FIG. 7 is a top view of the drawer;
FIG. 8 is a bottom view of the drawer;
FIG. 9 is a perspective view of the cabinet incorporating the drawer;
FIG. 10 is a right side view of the cabinet incorporating the drawer; and,
FIG. 11 is a front view of the cabinet incorporating the drawer.

The claimed design extends through the shaded portions of the drawer front as shown in FIGS. 1-11. FIGS. 1-4 and 6-8 show portions of a drawer in broken lines. FIGS. 9-11 show portions of the cabinet containing a stack of drawers in broken lines. The broken lines in FIGS. 1-4 and 6-11 are shown for environmental purposes and form no part of the claimed design. FIG. 3 is a sectional view of the drawer front intended to illustrate portions of the drawer front not visible in the other Figs. The interior of the drawer front designated by diagonal cross-hatching is not part of the claimed design.

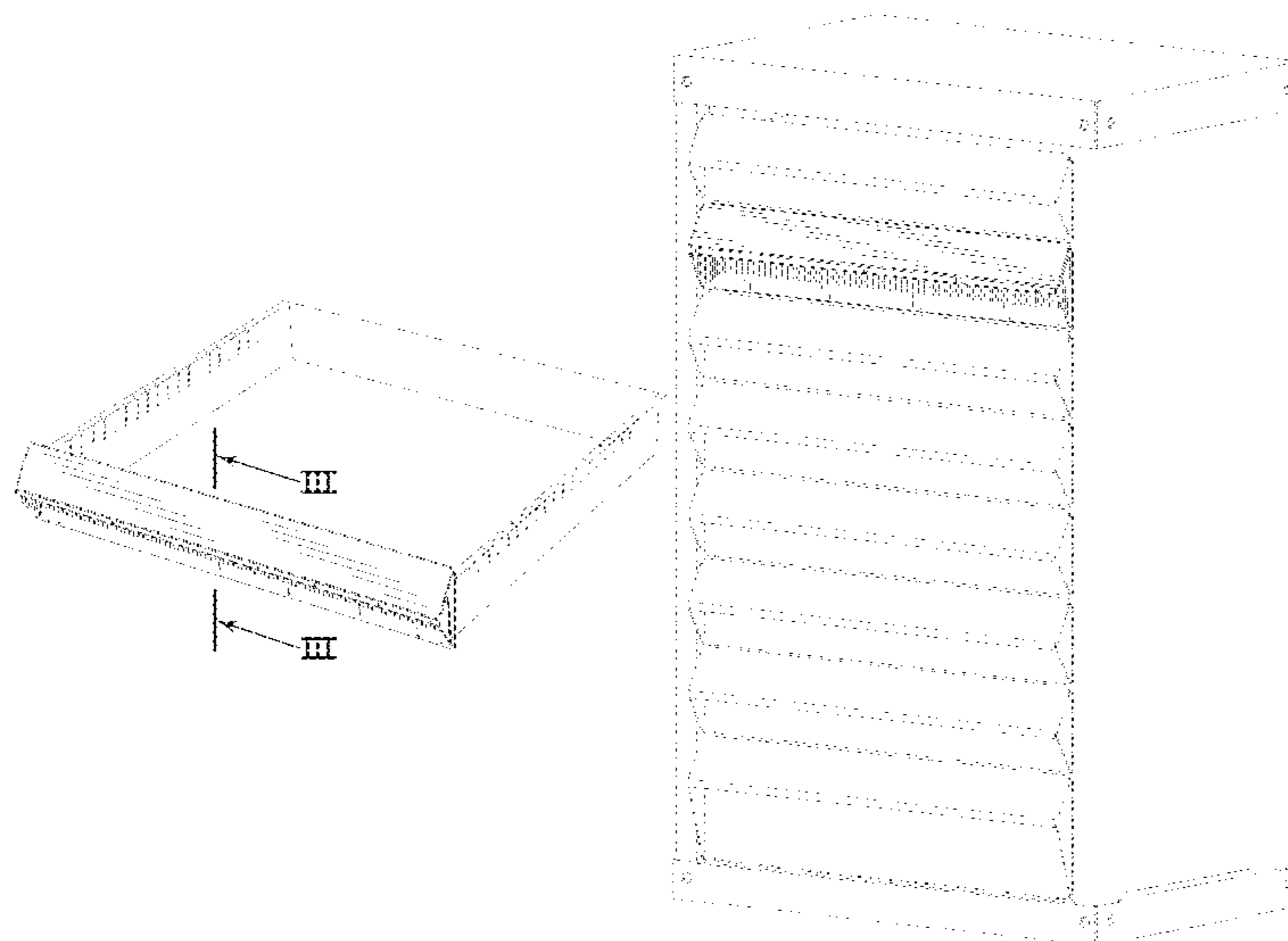
(56) **References Cited**

U.S. PATENT DOCUMENTS

D262,082	S	*	12/1981	Sandy	D6/705
D339,939	S	*	10/1993	Brandon	D6/705.5
5,549,377	A	*	8/1996	Krivec	A47B 88/417 312/334.16
D523,667	S	*	6/2006	Bisson	D6/705
D565,874	S	*	4/2008	Oura	D6/705.5
D599,145	S	*	9/2009	Daino	D6/705
D613,535	S	*	4/2010	Everson	D6/705.5
D690,972	S	*	10/2013	Lizotte	D6/705

* cited by examiner

1 Claim, 8 Drawing Sheets



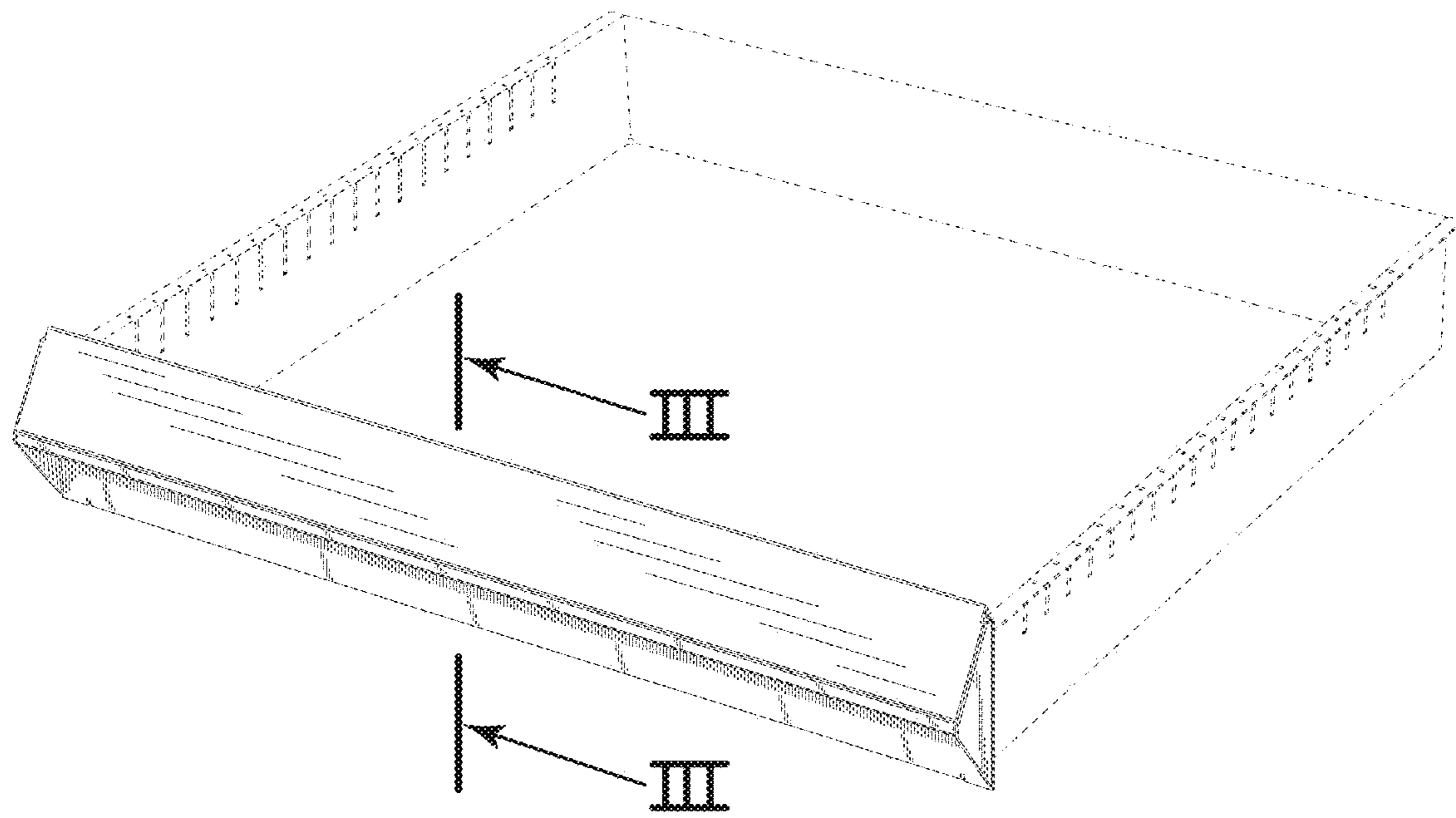


Fig. 1

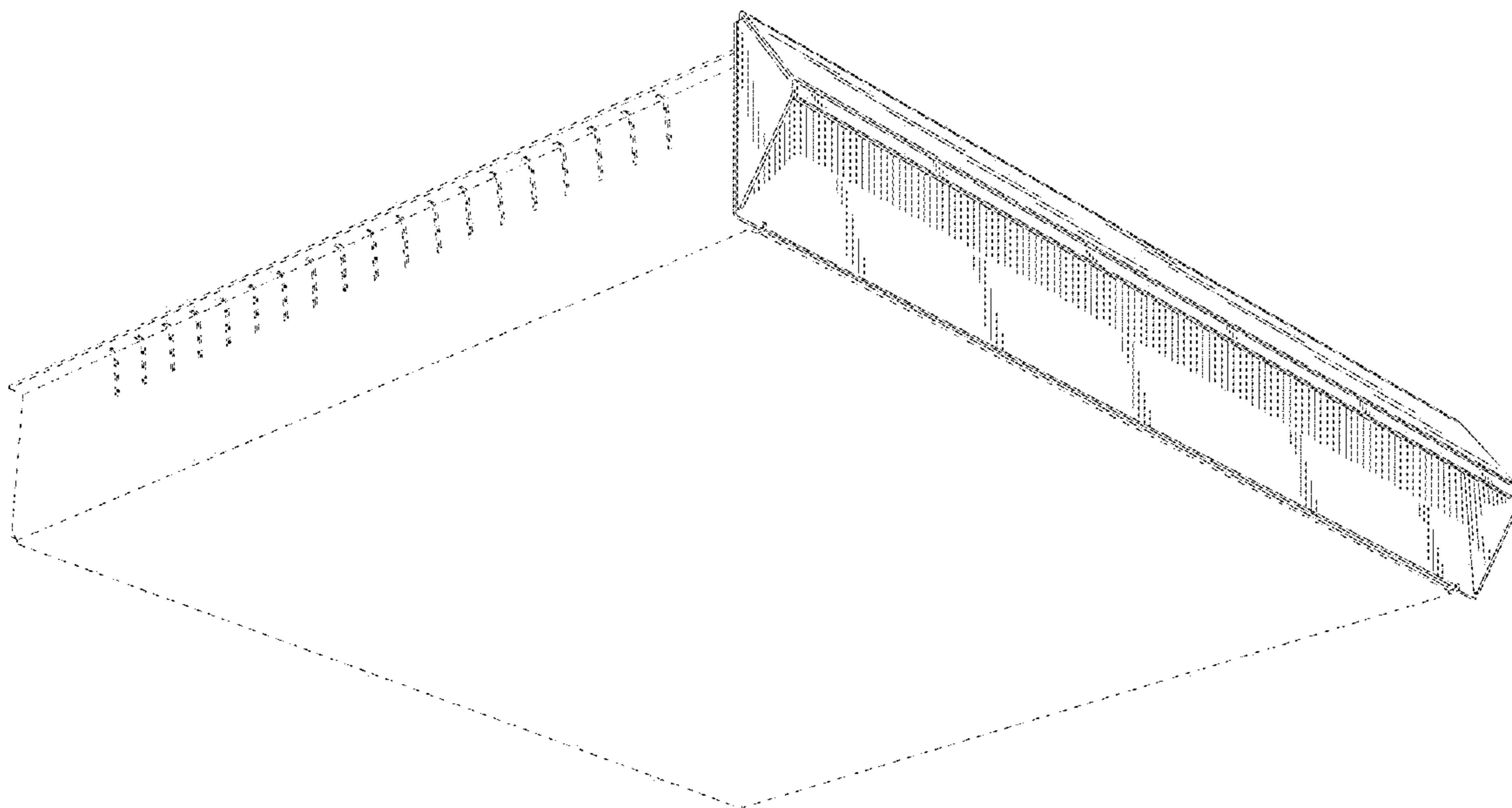


Fig. 2

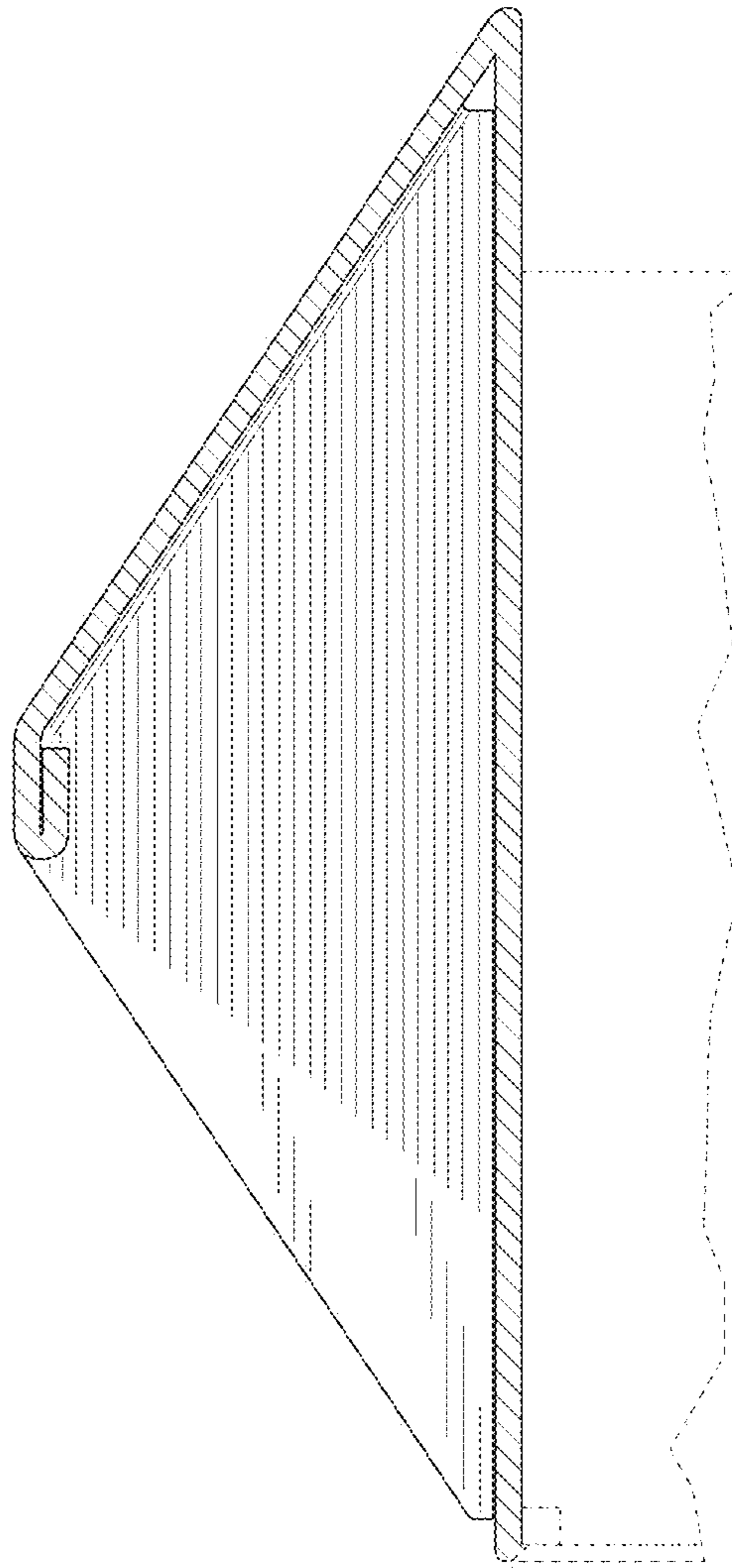


Fig. 3

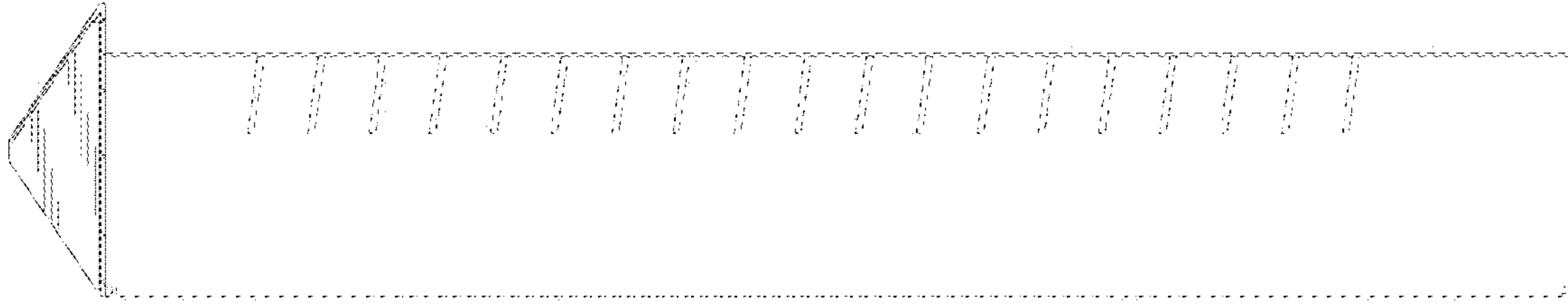


Fig. 4

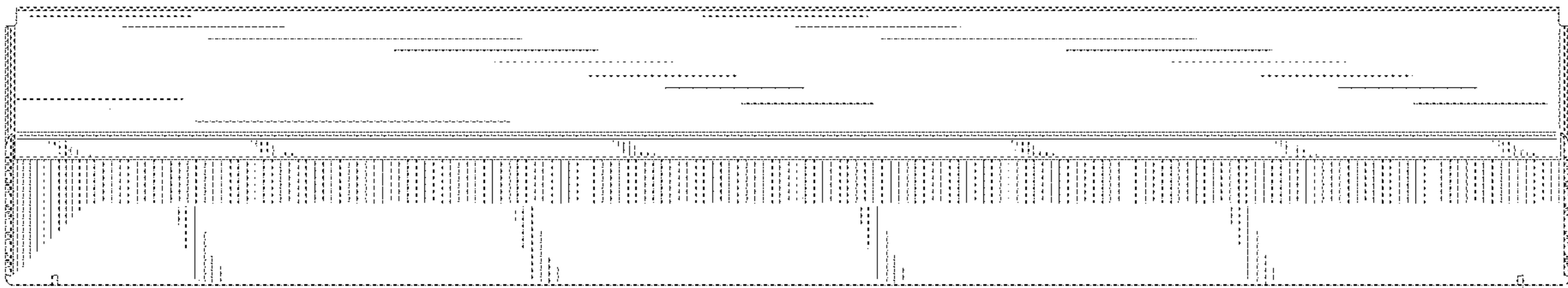


Fig. 5

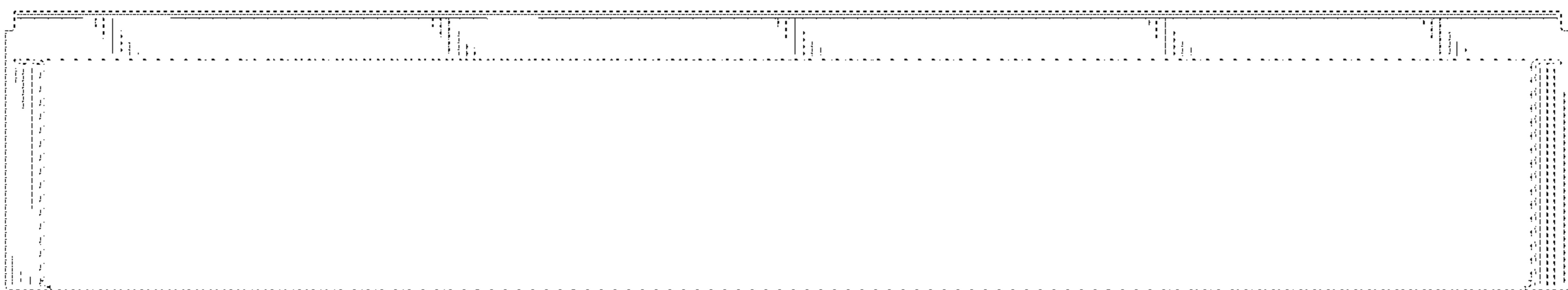


Fig. 6

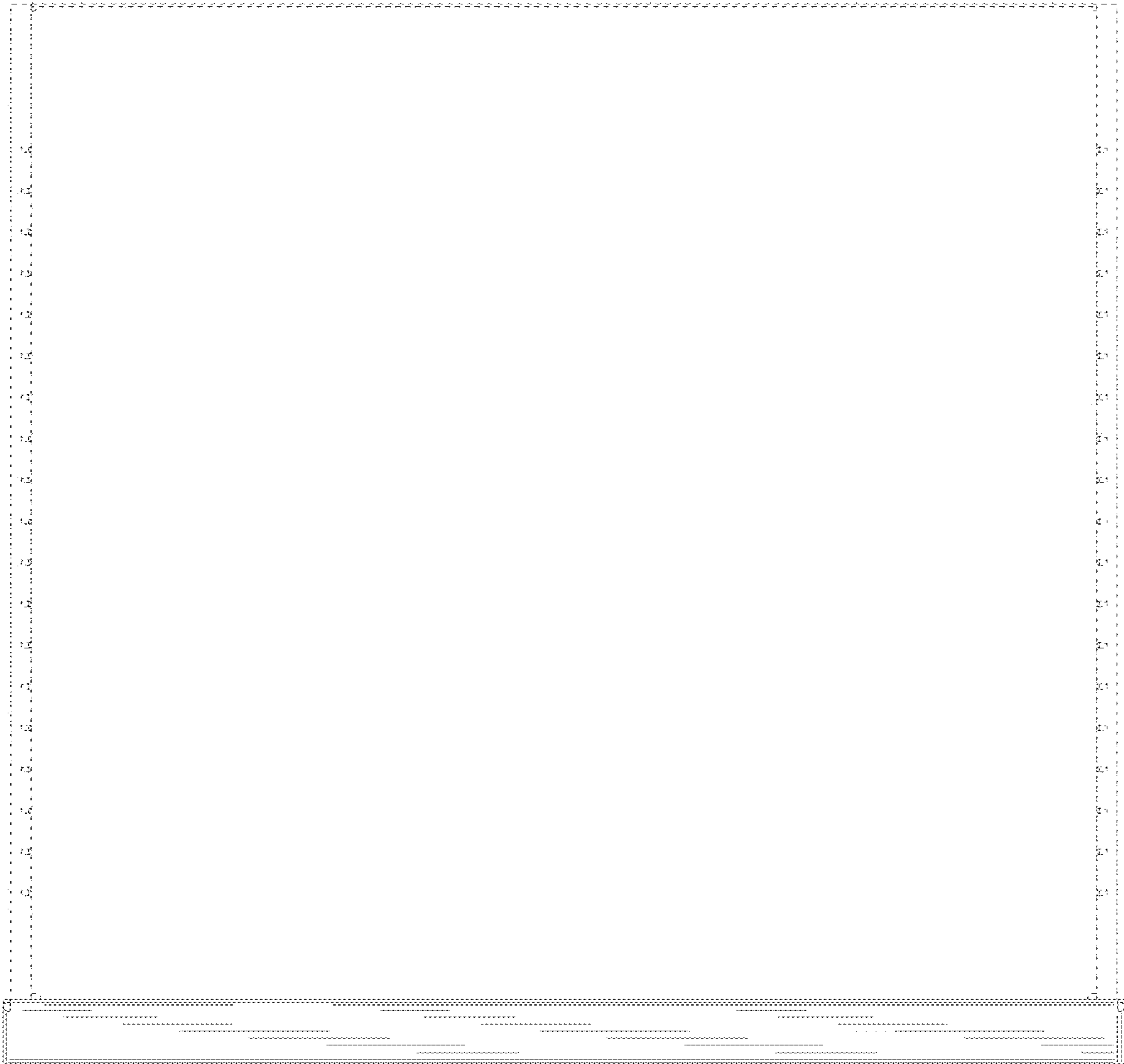


Fig. 7

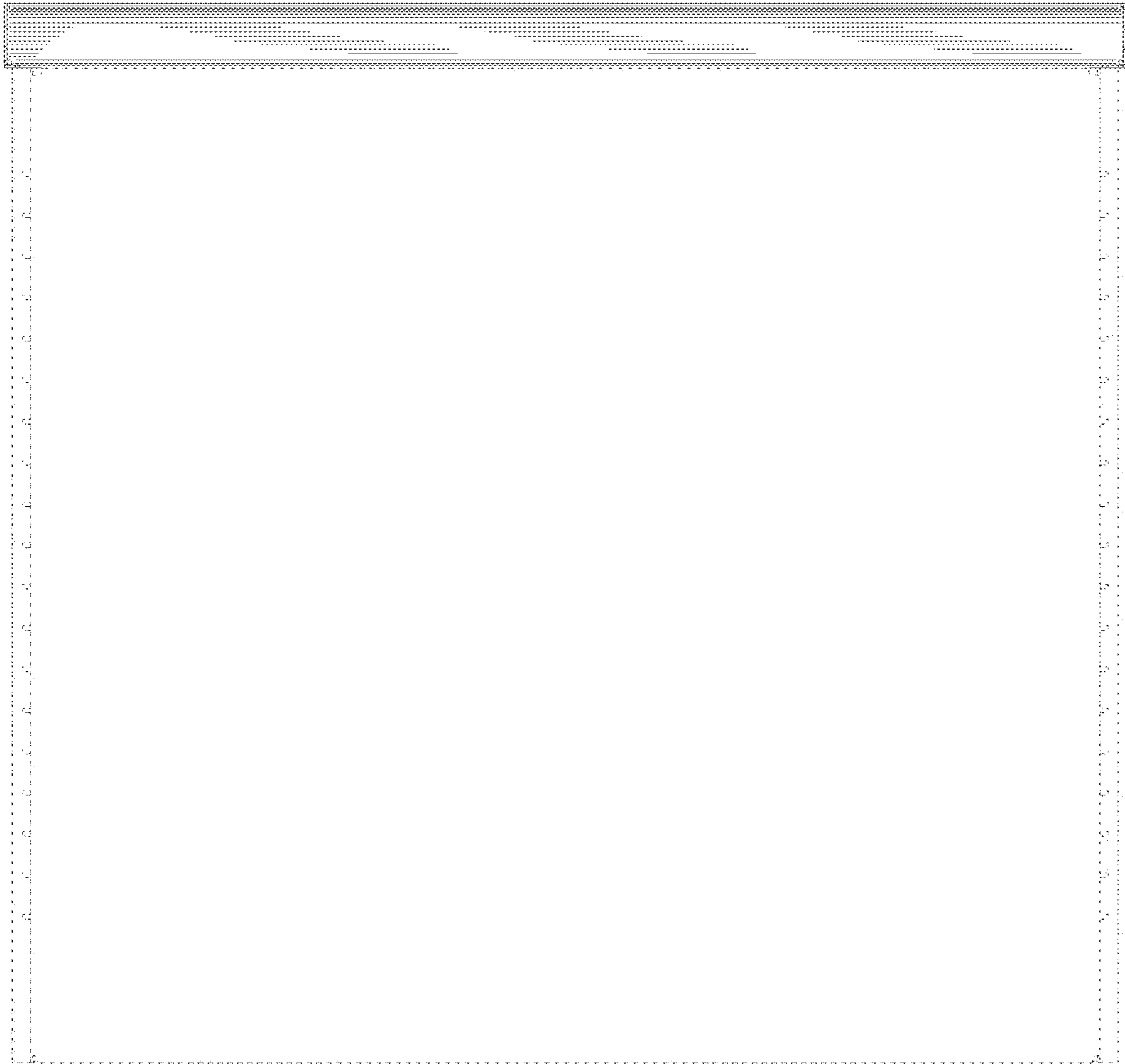


Fig. 8

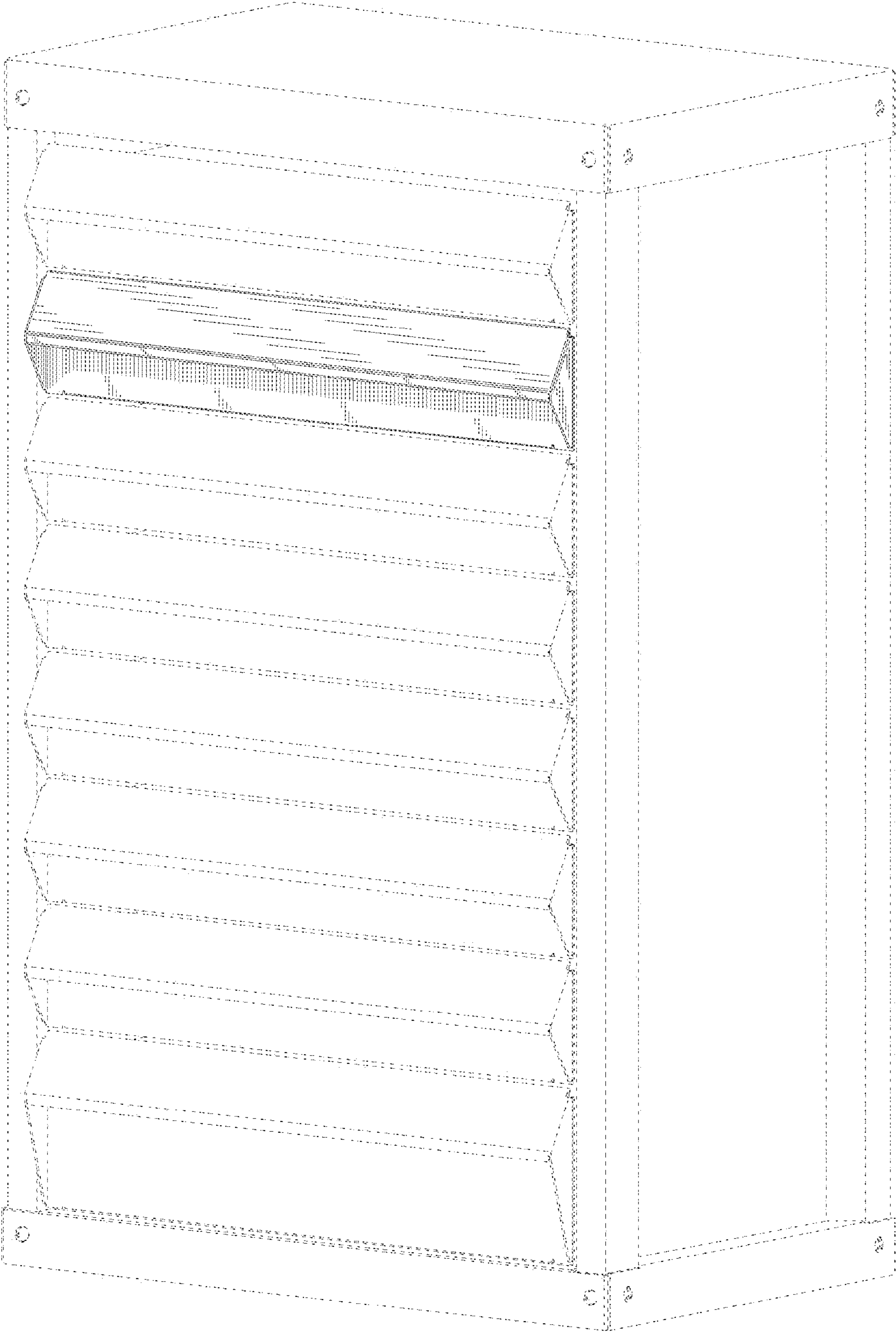


Fig. 9



Fig. 10

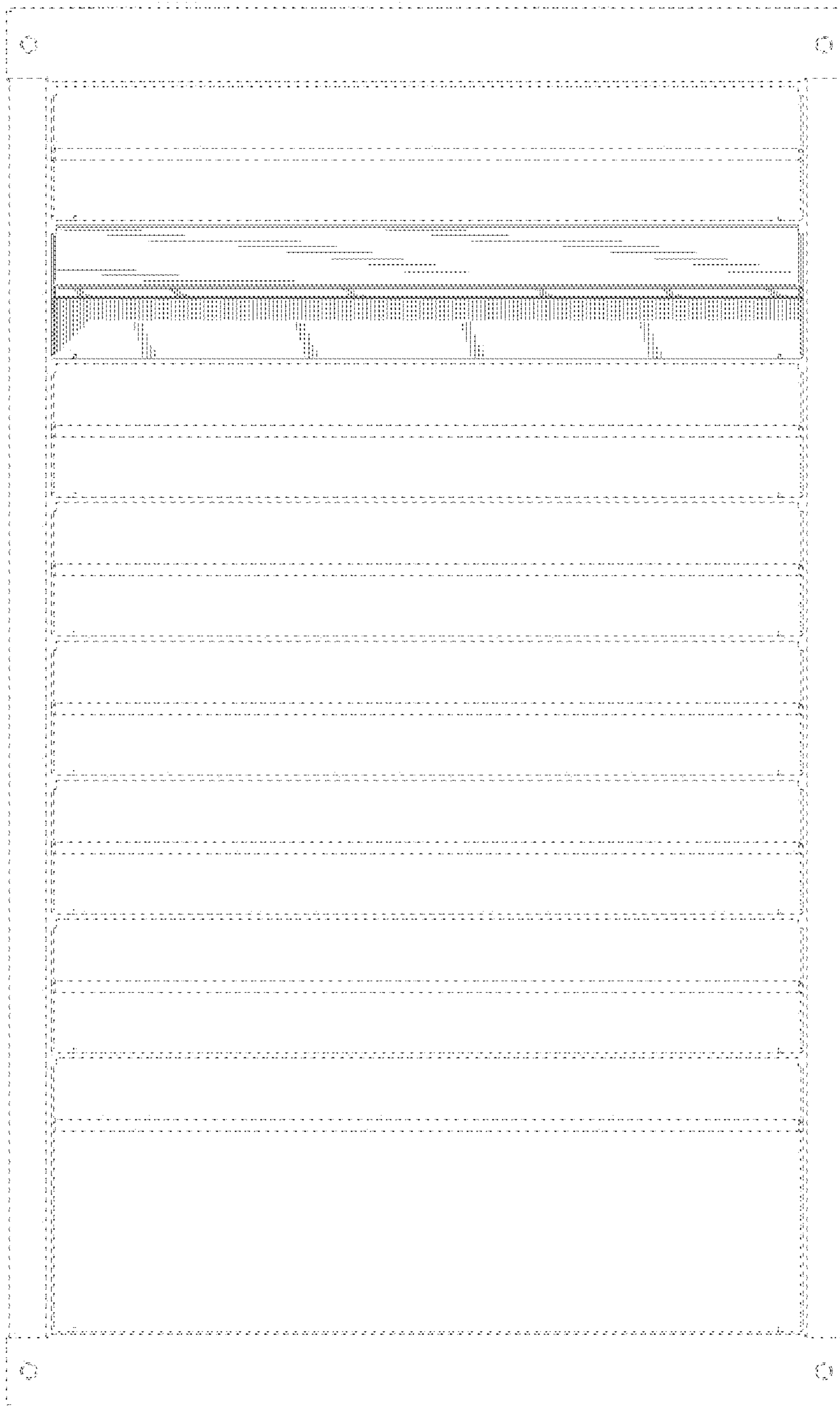


Fig. 11