



US00D917941S

(12) **United States Design Patent**
White

(10) **Patent No.:** **US D917,941 S**

(45) **Date of Patent:** **** May 4, 2021**

(54) **DESK**

(71) Applicant: **CIE Limited**, Tauranga (NZ)

(72) Inventor: **Paul Gregory White**, Tauranga (NZ)

(73) Assignee: **CIE Limited**, Tauranga (NZ)

(**) Term: **15 Years**

(21) Appl. No.: **29/675,092**

(22) Filed: **Dec. 28, 2018**

(30) **Foreign Application Priority Data**

Jul. 26, 2018 (NZ) 424765

(51) **LOC (13) Cl.** **06-03**

(52) **U.S. Cl.**
USPC **D6/692.3**

(58) **Field of Classification Search**

USPC D6/353, 368, 642, 644, 649, 651, 655,
D6/655.1, 655.11, 655.12, 655.13, 655.14,
D6/655.15, 655.16, 655.17, 655.18, 655.2,
D6/655.21, 656, 656.11, 656.13, 656.15,
D6/656.16, 656.17, 656.19, 657, 663,
D6/677, 677.4, 686, 691, 692, 692.3, 709
CPC A47B 81/00; A47B 88/00; A47B 88/41;
A47B 88/42; A47B 2210/16; B62B 3/00;
B62B 33/00

See application file for complete search history.

(56) **References Cited**

U.S. PATENT DOCUMENTS

D140,390 S * 2/1945 Deutsch D6/692.3
D151,984 S * 12/1948 Guertin D6/336

D168,464 S * 12/1952 Levinger D6/677
D237,727 S * 11/1975 Runte D21/326
D238,379 S * 1/1976 Miller D21/327
D249,729 S * 9/1978 Olson D21/327
D292,250 S * 10/1987 Finkelstein D6/687
D329,555 S * 9/1992 Tenhove D6/692.3
D515,679 S * 2/2006 Borowske D23/343
D829,014 S * 9/2018 Handler D6/352
D862,140 S * 10/2019 Smrstick D6/692.3
D865,387 S * 11/2019 Handler D6/352

* cited by examiner

Primary Examiner — Mary Ann Calabrese

Assistant Examiner — Catherine Ho

(74) *Attorney, Agent, or Firm* — Offit Kurman, PA;
Steven Scott Lloyd

(57) **CLAIM**

The ornamental design of a desk, as shown and described in the drawings and specification.

DESCRIPTION

FIG. 1 is an isometric top front view of a desk, showing my new design.

FIG. 2 is an isometric bottom front view thereof.

FIG. 3 is a front view thereof.

FIG. 4 is a rear view thereof.

FIG. 5 is a left view thereof.

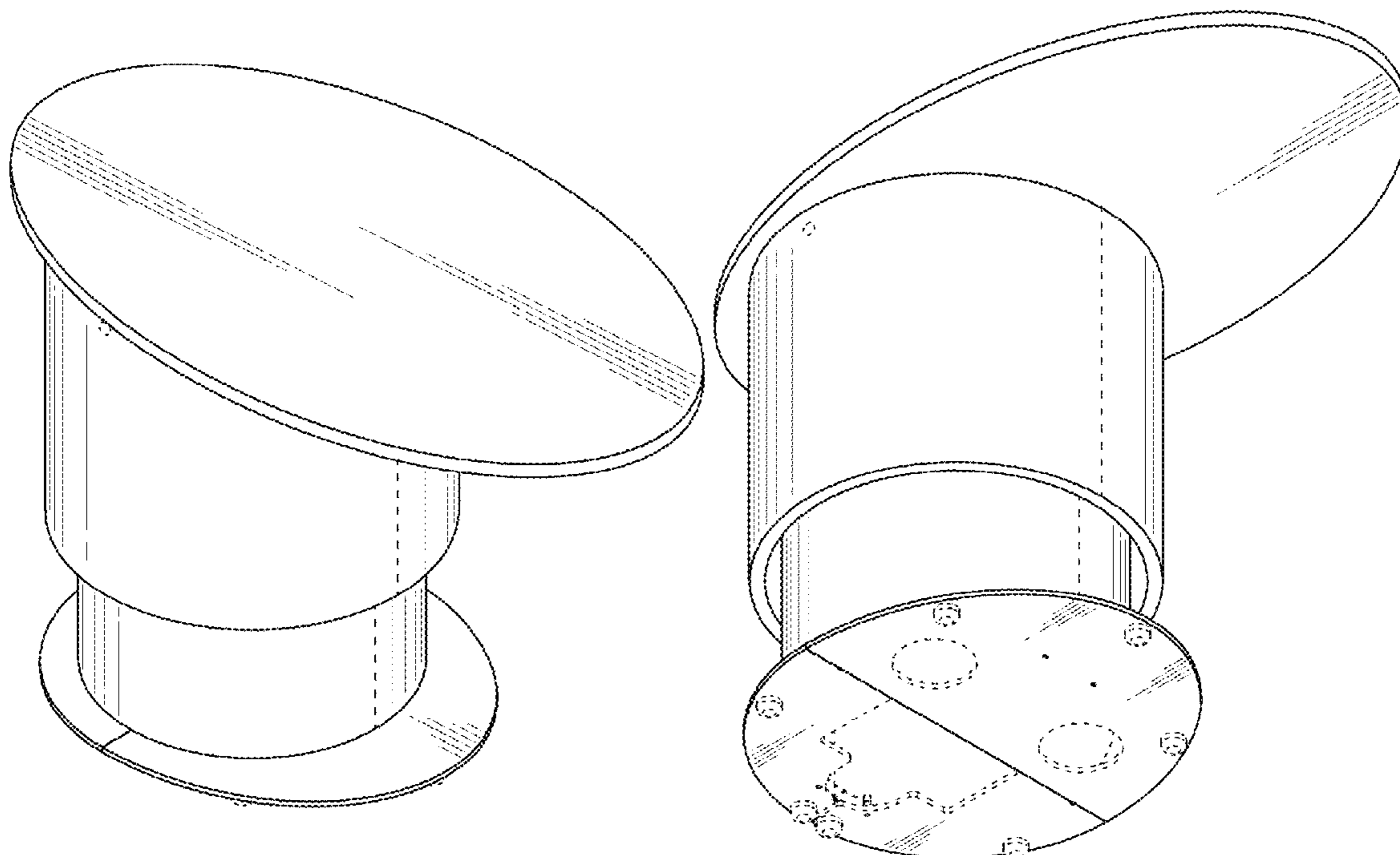
FIG. 6 is a right view thereof.

FIG. 7 is a bottom view thereof; and,

FIG. 8 is a top view thereof.

The broken line portion of the figure drawings is included to show portions of the article that forms no part of the claimed design.

1 Claim, 5 Drawing Sheets



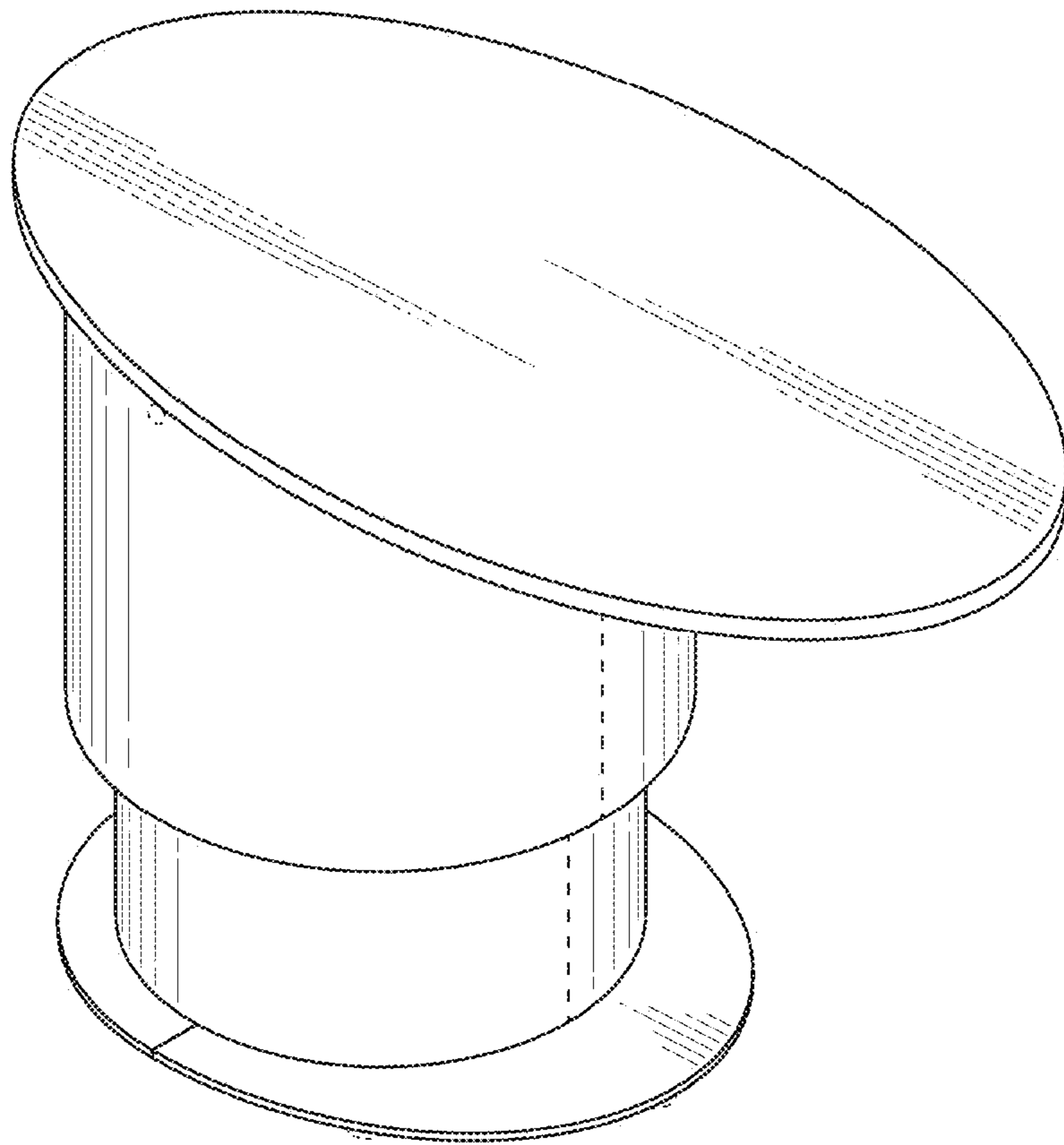


FIG. 1

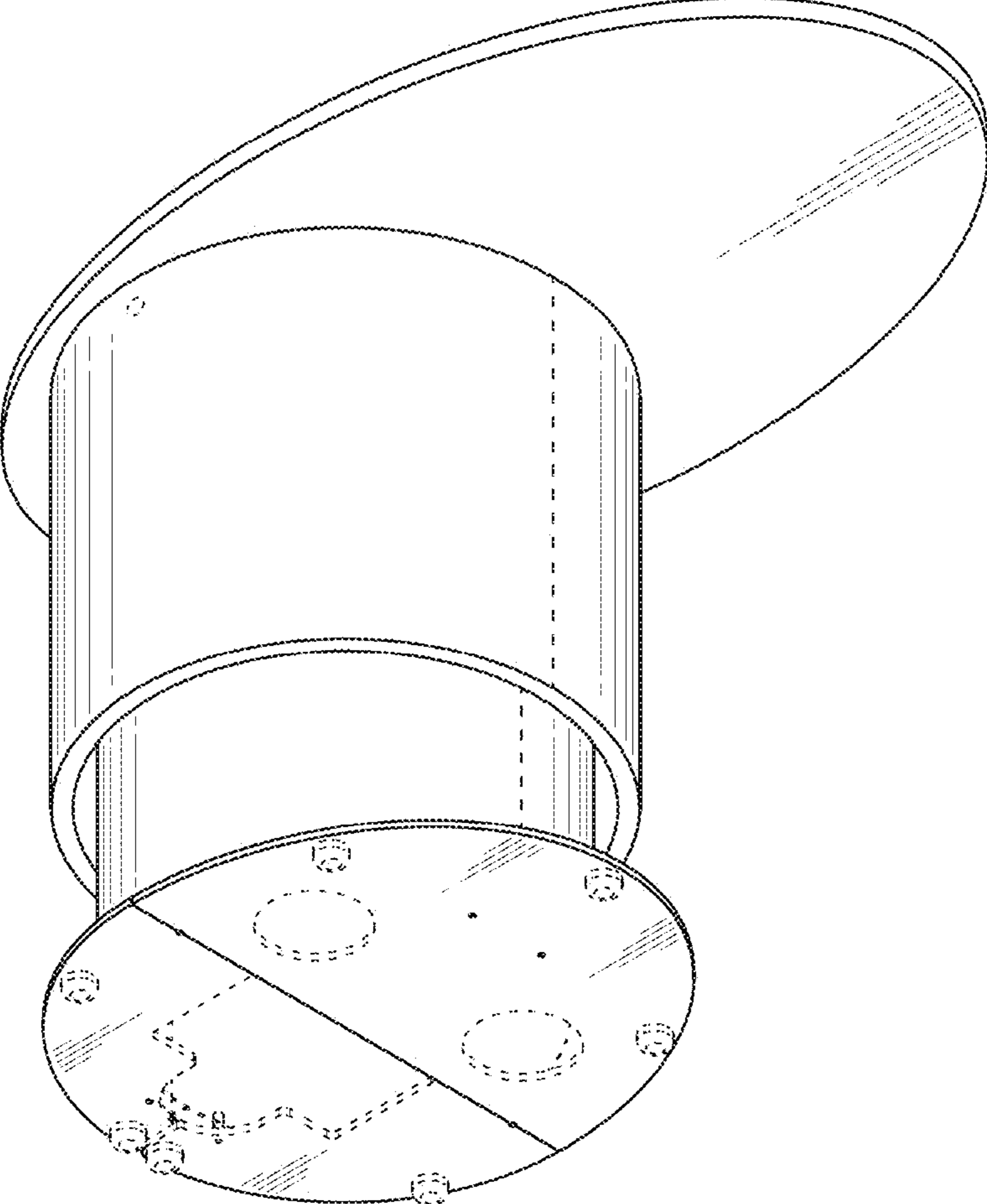


FIG. 2

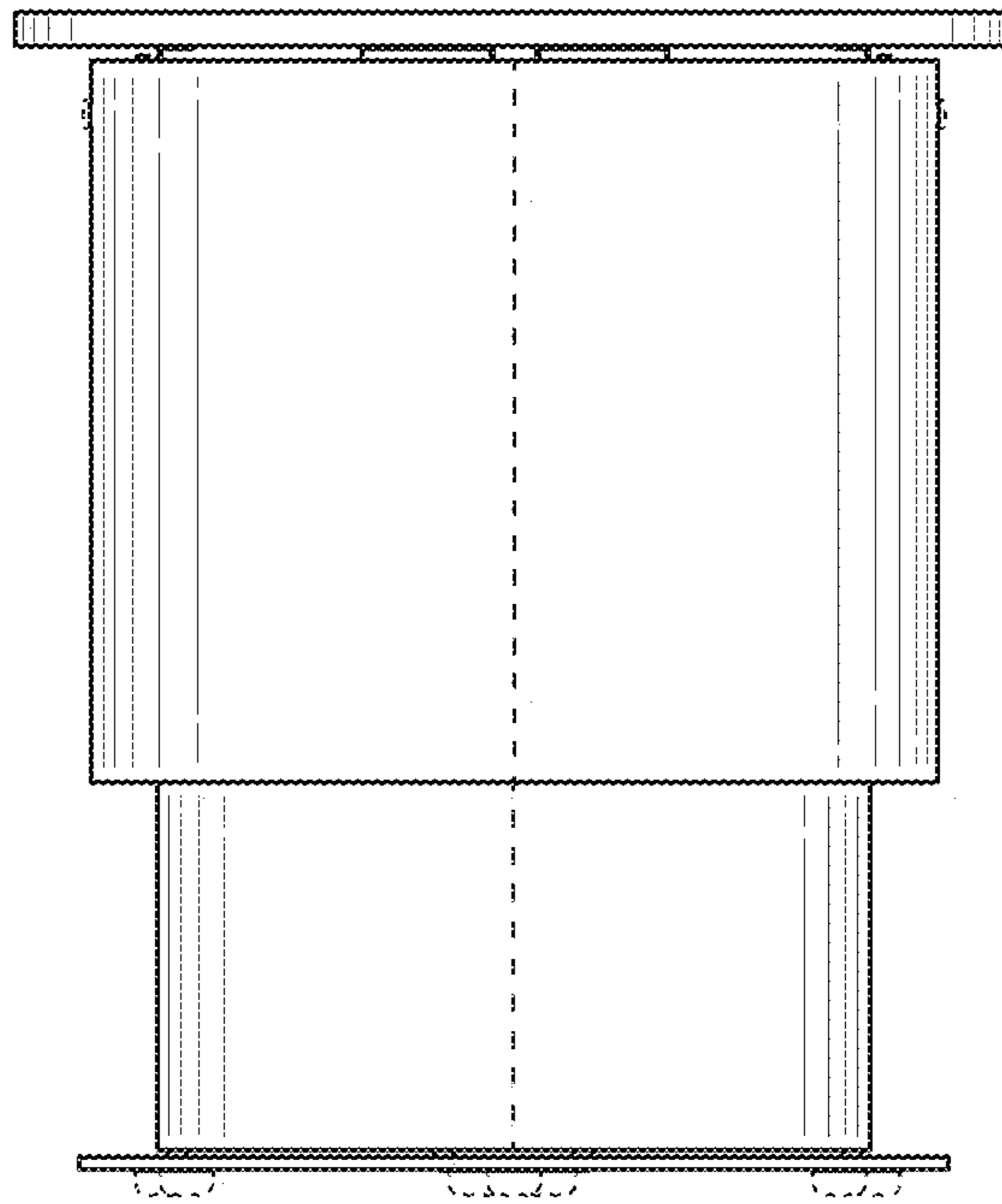


FIG. 3

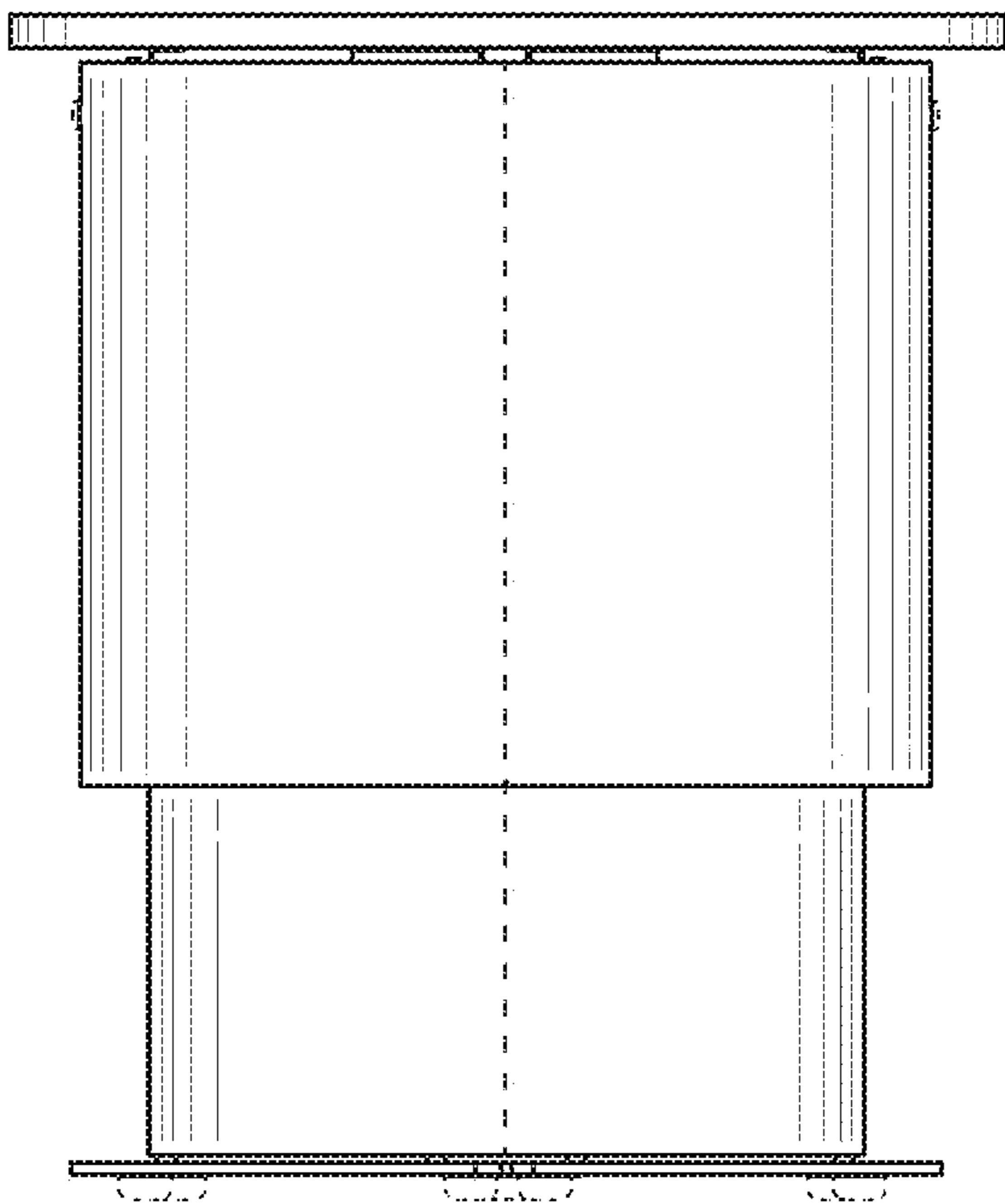


FIG. 4

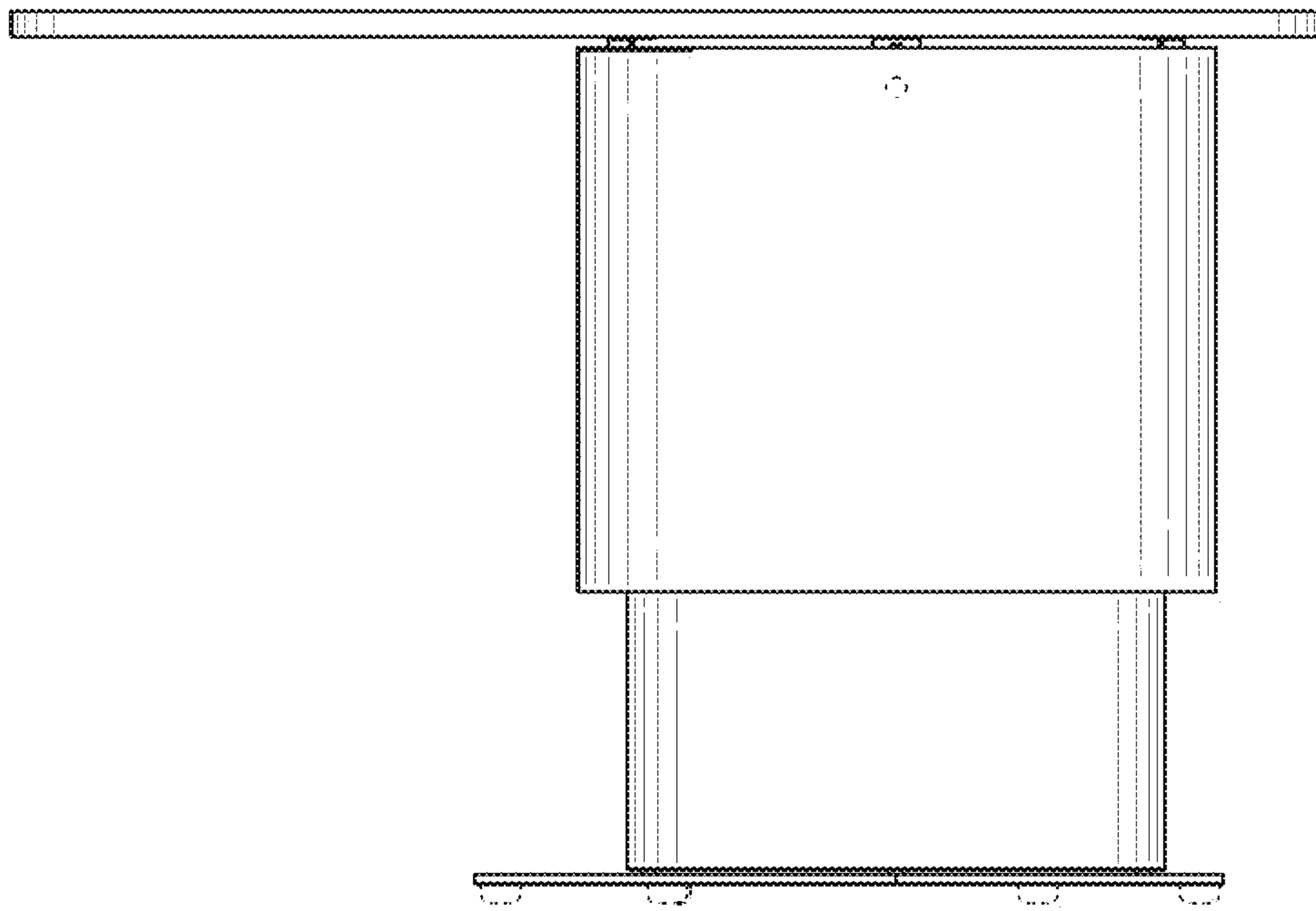


FIG. 5

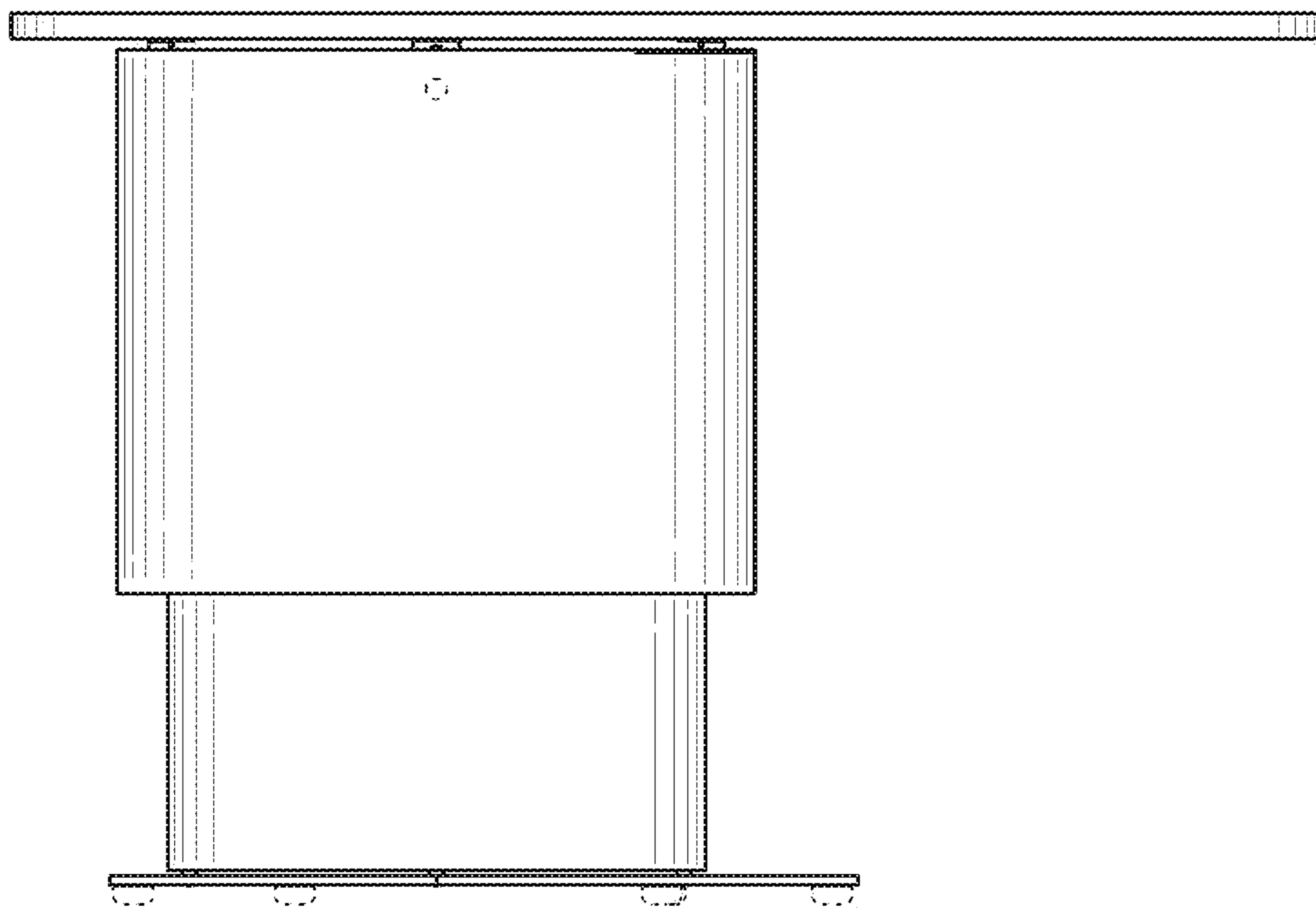


FIG. 6

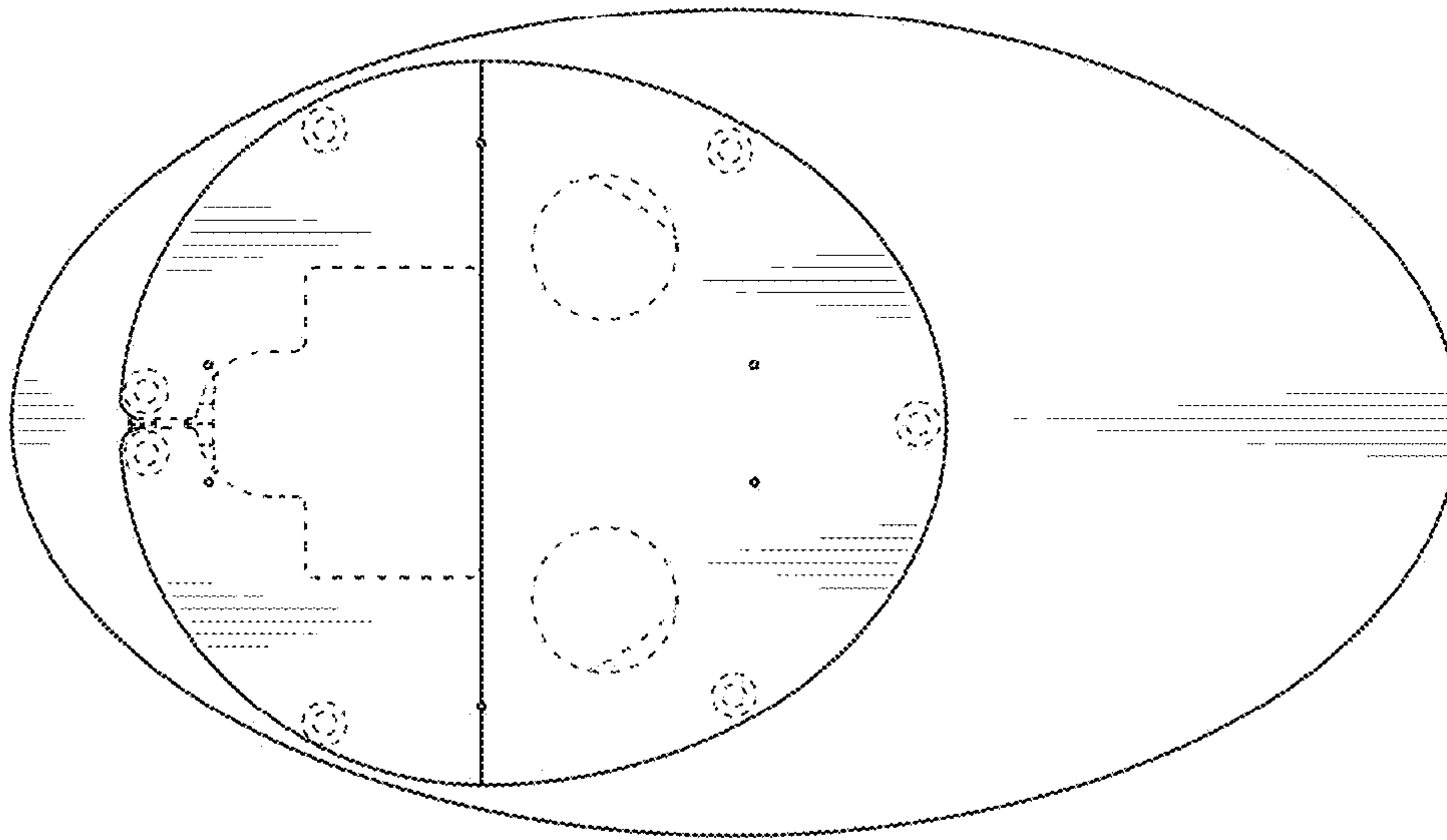


FIG. 7

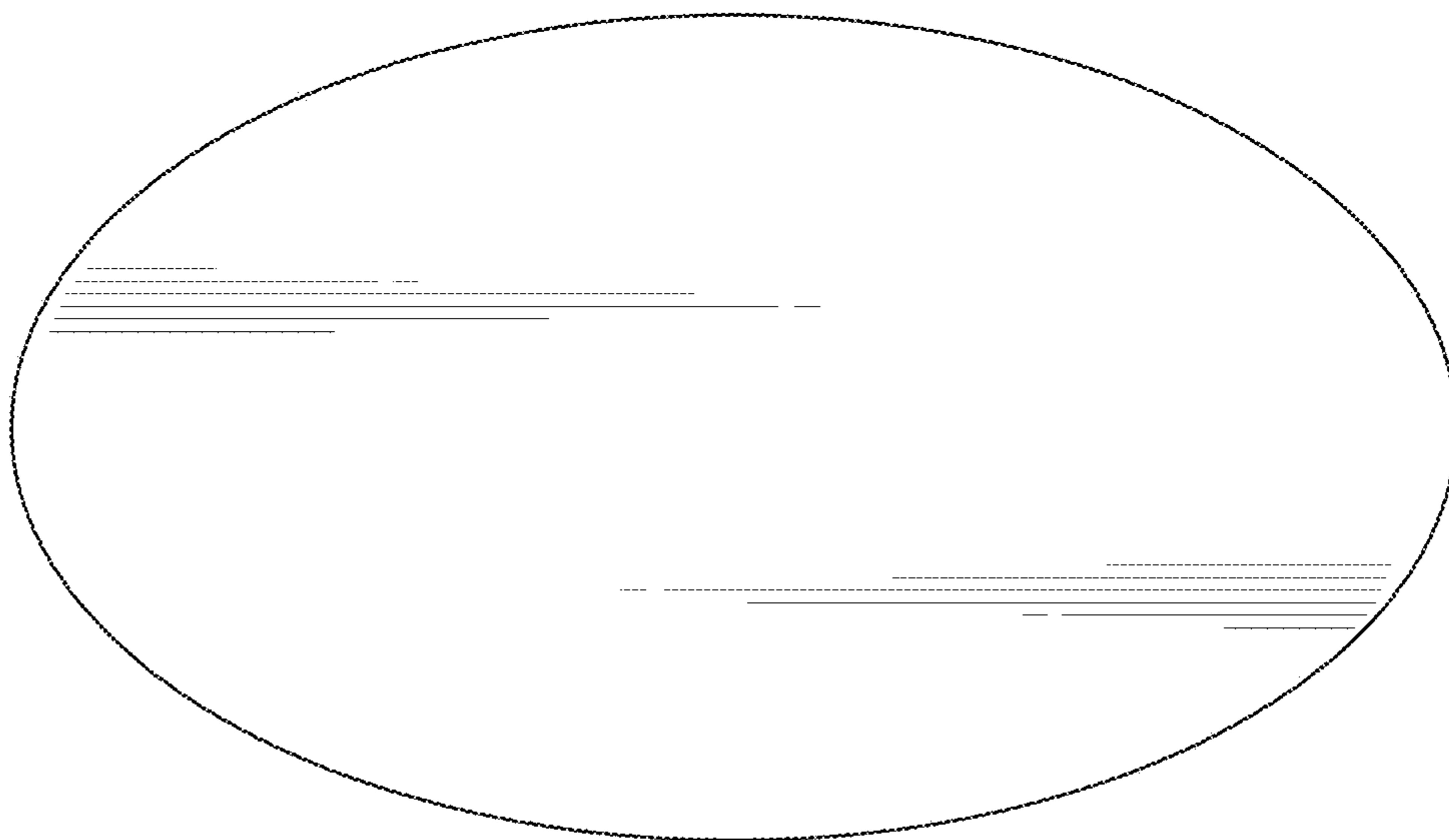


FIG. 8