



US00D917940S

(12) **United States Design Patent** (10) **Patent No.:** **US D917,940 S**
Averianov (45) **Date of Patent:** **** May 4, 2021**

(54) **TABLE**

(71) Applicant: **Norm, Inc.**, Wilmington, DE (US)

(72) Inventor: **Dmytro Averianov**, Odessa (UA)

(73) Assignee: **Norm, Inc.**, Wilmington, DE (US)

(**) Term: **15 Years**

(21) Appl. No.: **29/699,346**

(22) Filed: **Jul. 24, 2019**

(51) **LOC (13) Cl.** **06-03**

(52) **U.S. Cl.**
USPC **D6/691.6**

(58) **Field of Classification Search**
USPC ... D6/641, 642, 656, 656.13, 685, 686, 691,
D6/691.6, 698, 707, 707.19, 709, 709.2,
D6/709.21

CPC ... A47B 13/021; A47B 2013/022; A47B 3/12;
A47B 13/003; A47B 2013/028; A47B
2200/003; A47B 3/06; F16B 12/00; F16B
12/42; F16B 12/48; F16B 12/50

See application file for complete search history.

(56) **References Cited**

U.S. PATENT DOCUMENTS

D92,933 S *	7/1934	Sinclair	D6/691
D164,075 S *	7/1951	Wallance	D6/691
D190,656 S *	6/1961	Glass	D6/691
3,228,359 A *	1/1966	Rich, Jr.	F16B 12/48
				108/156
4,011,821 A *	3/1977	Neal	A47B 3/12
				108/156
4,039,133 A *	8/1977	Streicher	A47B 13/021
				248/188.8
4,085,916 A *	4/1978	Pedersen	F16B 12/32
				248/188
D294,318 S *	2/1988	Zapf	D6/691.6
D394,766 S *	6/1998	Brandt	D6/656.13
D395,771 S *	7/1998	Kelly	D6/691.6

(Continued)

OTHER PUBLICATIONS

“Ikea Linnmon Desk with Adils Legs Multi Purpose Table.” Found online Nov. 19, 2020 at www.amazon.com. Product first available Sep. 4, 2013. Retrieved from URL: https://www.amazon.com/Linnmon-Adils-Multi-Purpose-Black-brown/dp/B00EYU3E7I (Year: 2013).*

“Regency 48x30 Height Adjustable Classroom Table.” Found online Nov. 19, 2020 at www.amazon.com. Product first available Jul. 19, 2016. Retrieved from URL: https://www.amazon.com/Regency-MT4830CHAPBK-Height-Adjustable-Classroom/dp/B01IP1JORK?th=1 (Year: 2016).*

(Continued)

Primary Examiner — Mary Ann Calabrese

Assistant Examiner — Katelin G Kloberg

(74) *Attorney, Agent, or Firm* — Ascenda Law Group, PC

(57) **CLAIM**

The ornamental design for a table, as shown and described.

DESCRIPTION

FIG. 1 is a top plan view of a table, showing a first embodiment of my new design;

FIG. 2 is a top plan view of a table, showing a second embodiment of my new design;

FIG. 3 is a top perspective view of the table as shown in FIG. 1;

FIG. 4 is a top perspective view of the table as shown in FIG. 2;

FIG. 5 is a bottom plan view of the table as shown in FIG. 1;

FIG. 6 is a bottom perspective view of the table as shown in FIG. 1;

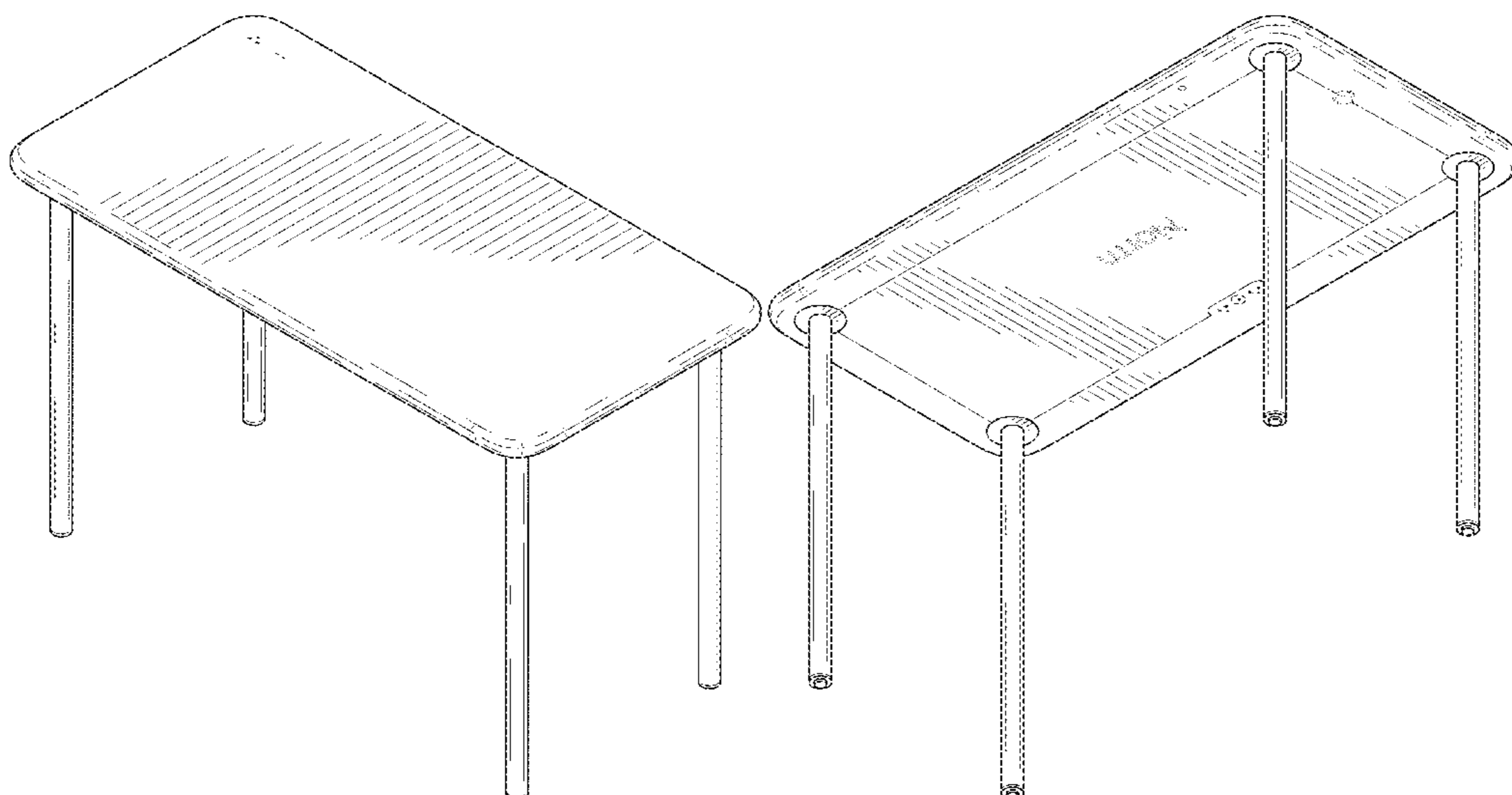
FIG. 7 is a cross-section perspective view taken along line 7-7 in FIG. 1;

FIG. 8 is a front elevation view of the table as shown in FIG. 1, with the rear elevation view being identical thereto; and,

FIG. 9 is a left side elevation view thereof, with the right side elevation view being identical thereto.

All broken lines form no part of the claimed design.

1 Claim, 9 Drawing Sheets



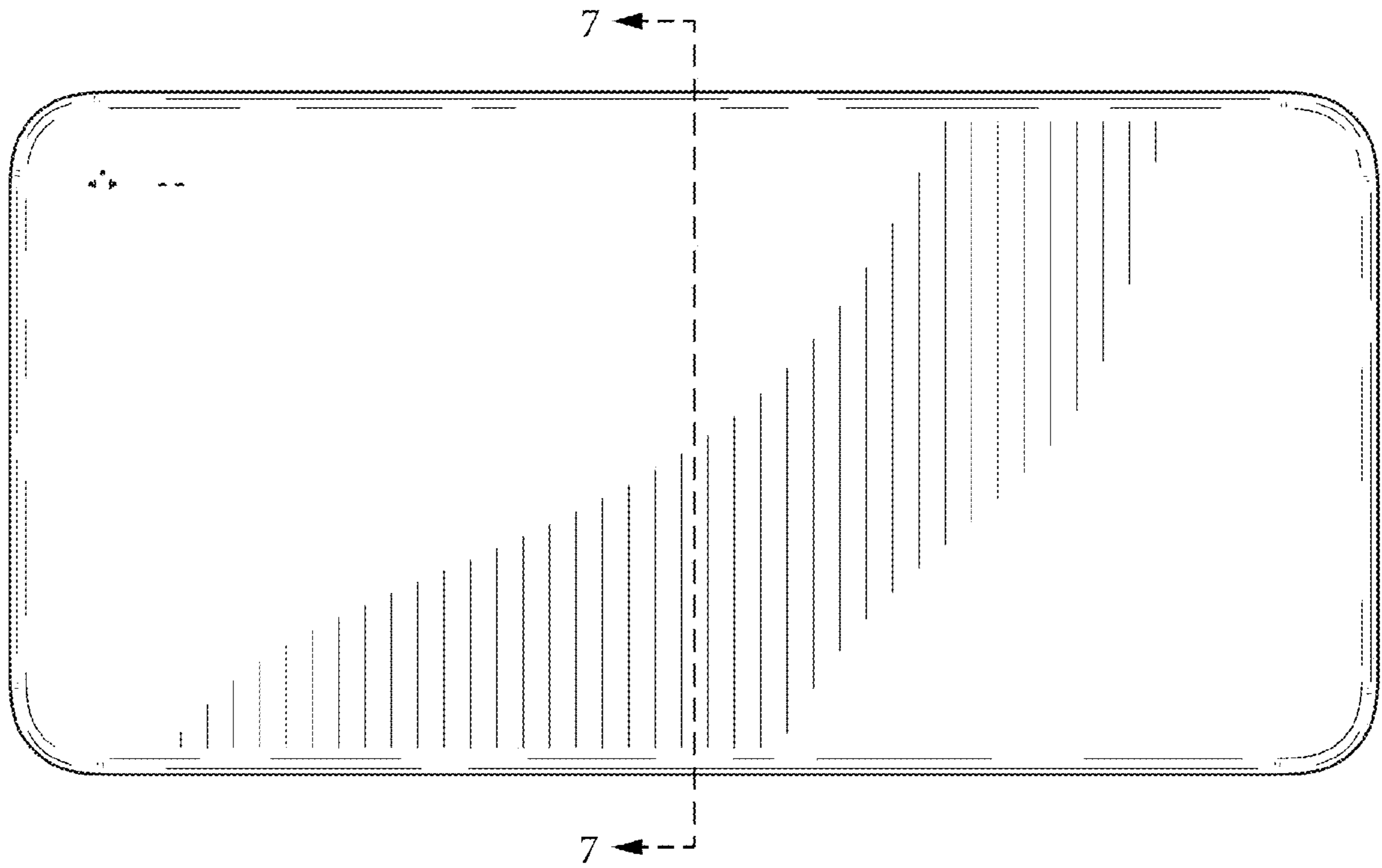


Fig. 1

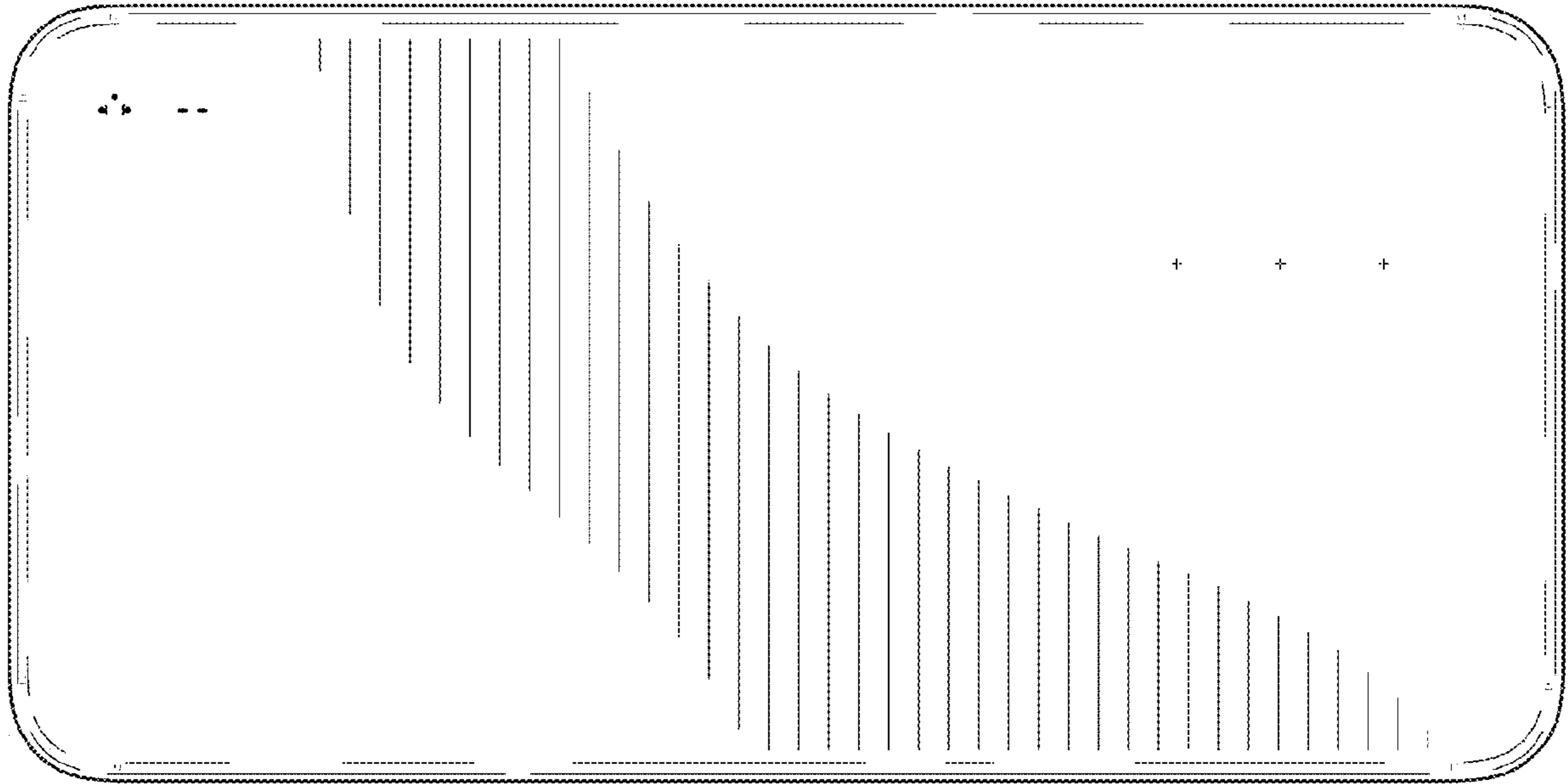


Fig. 2

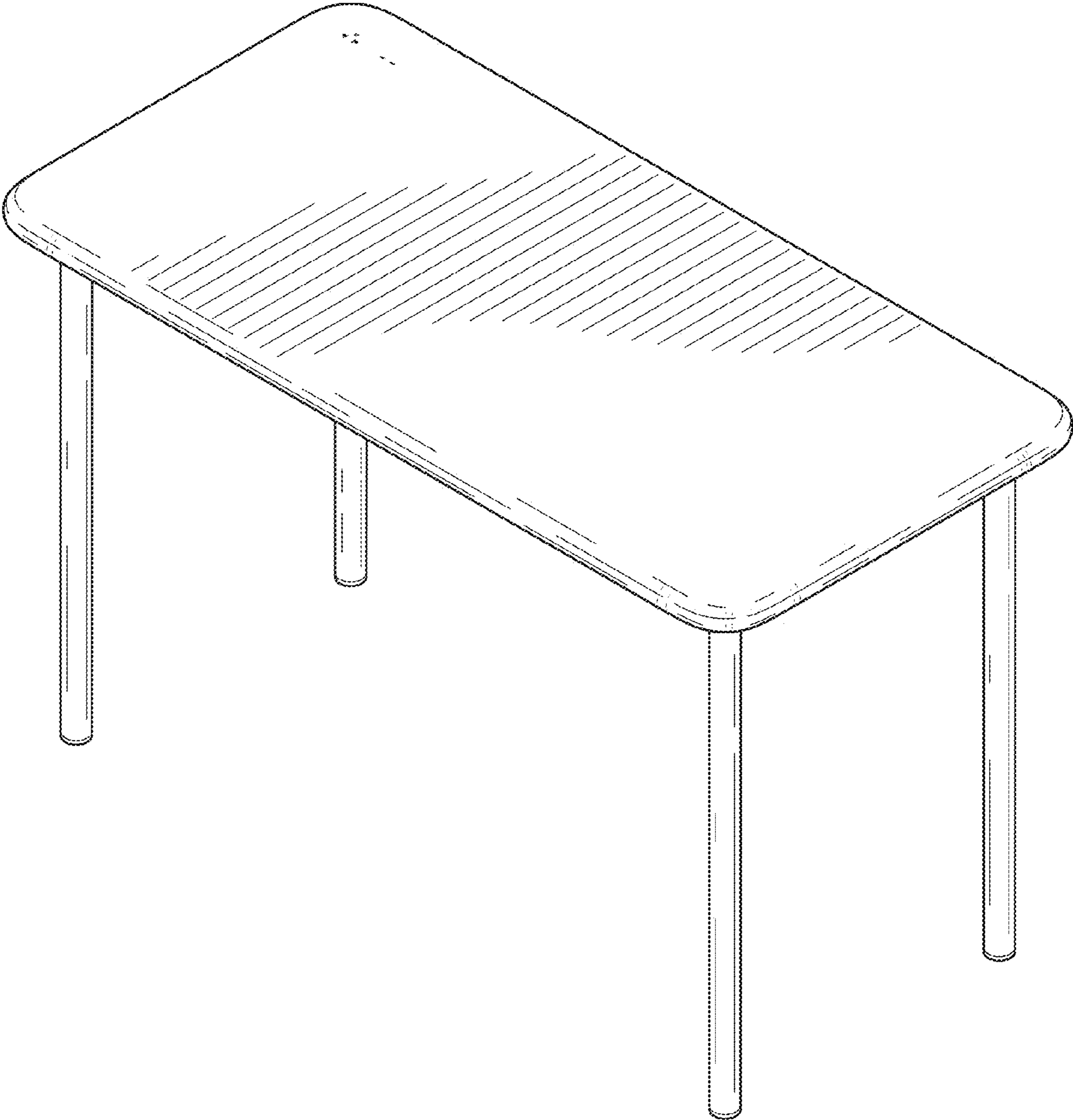


Fig. 3

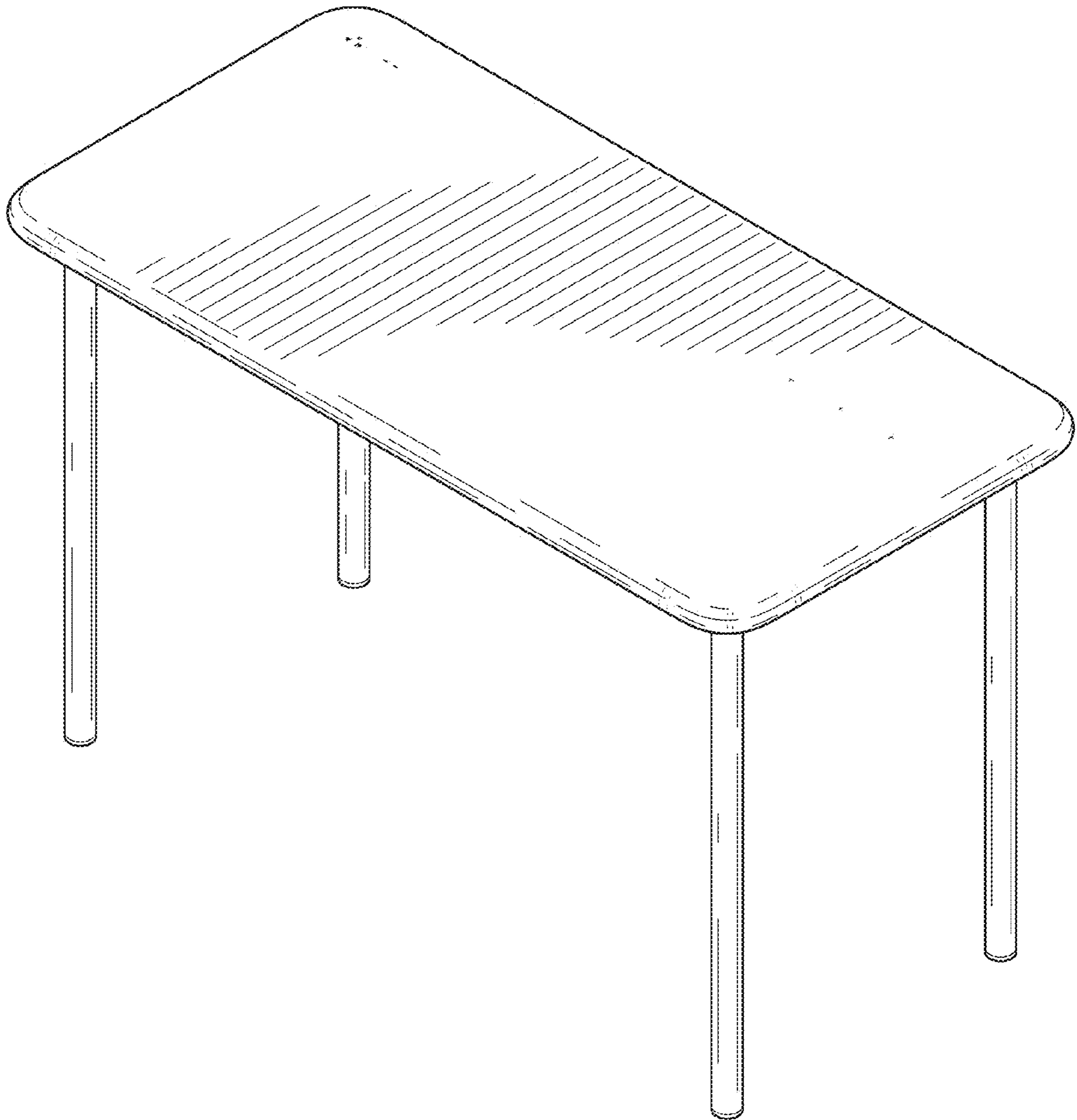


Fig. 4

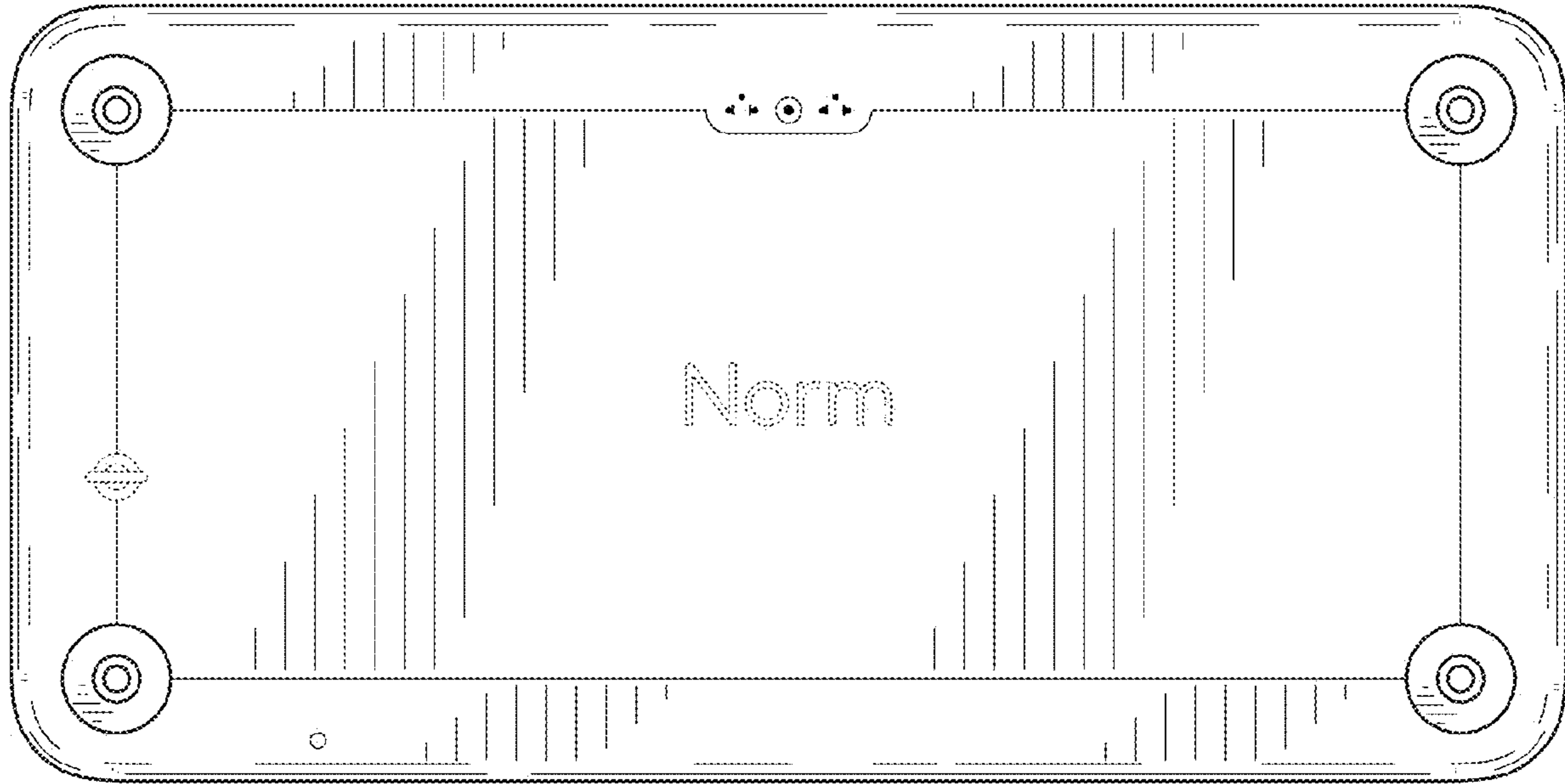


Fig. 5

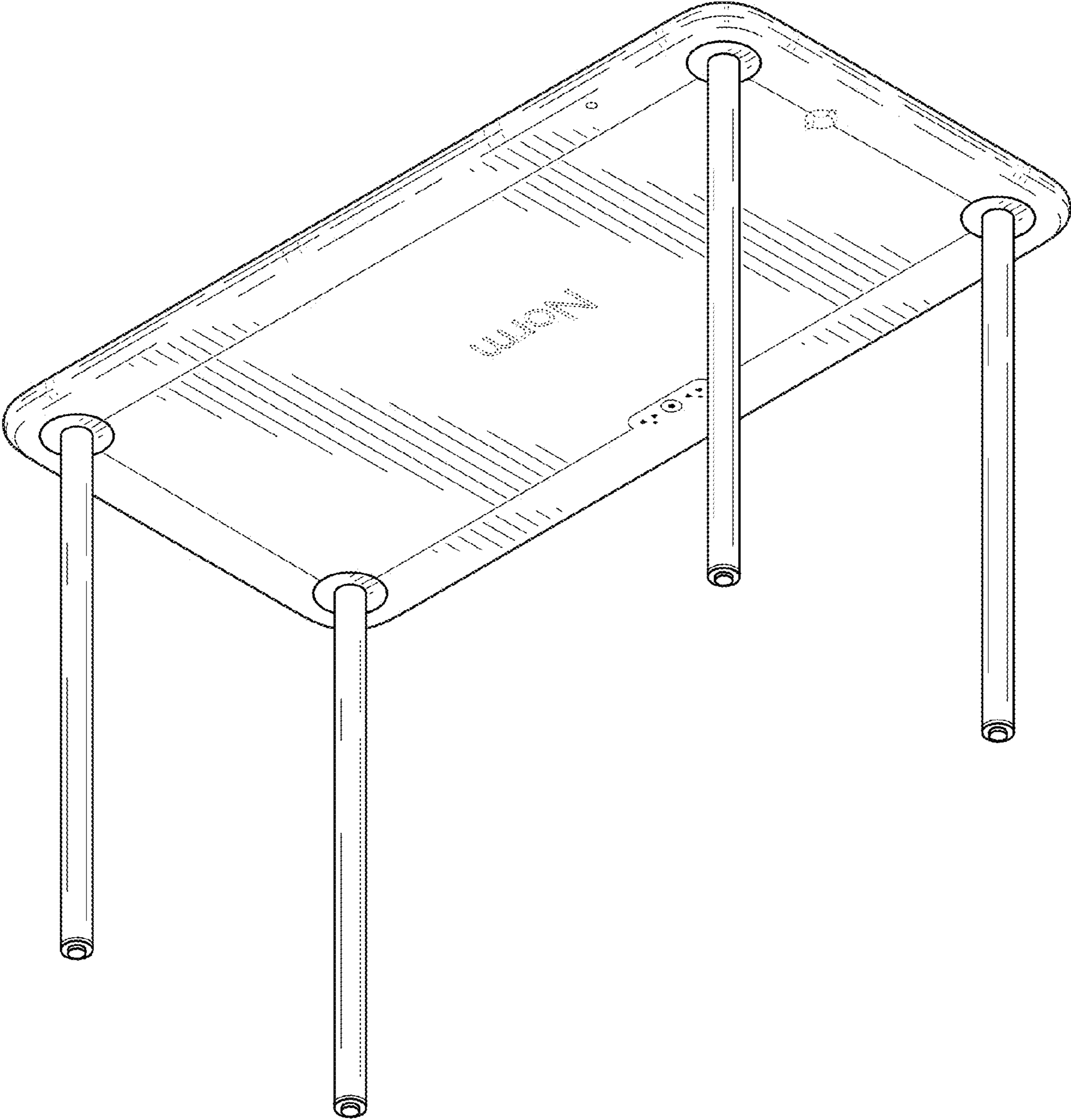


Fig. 6

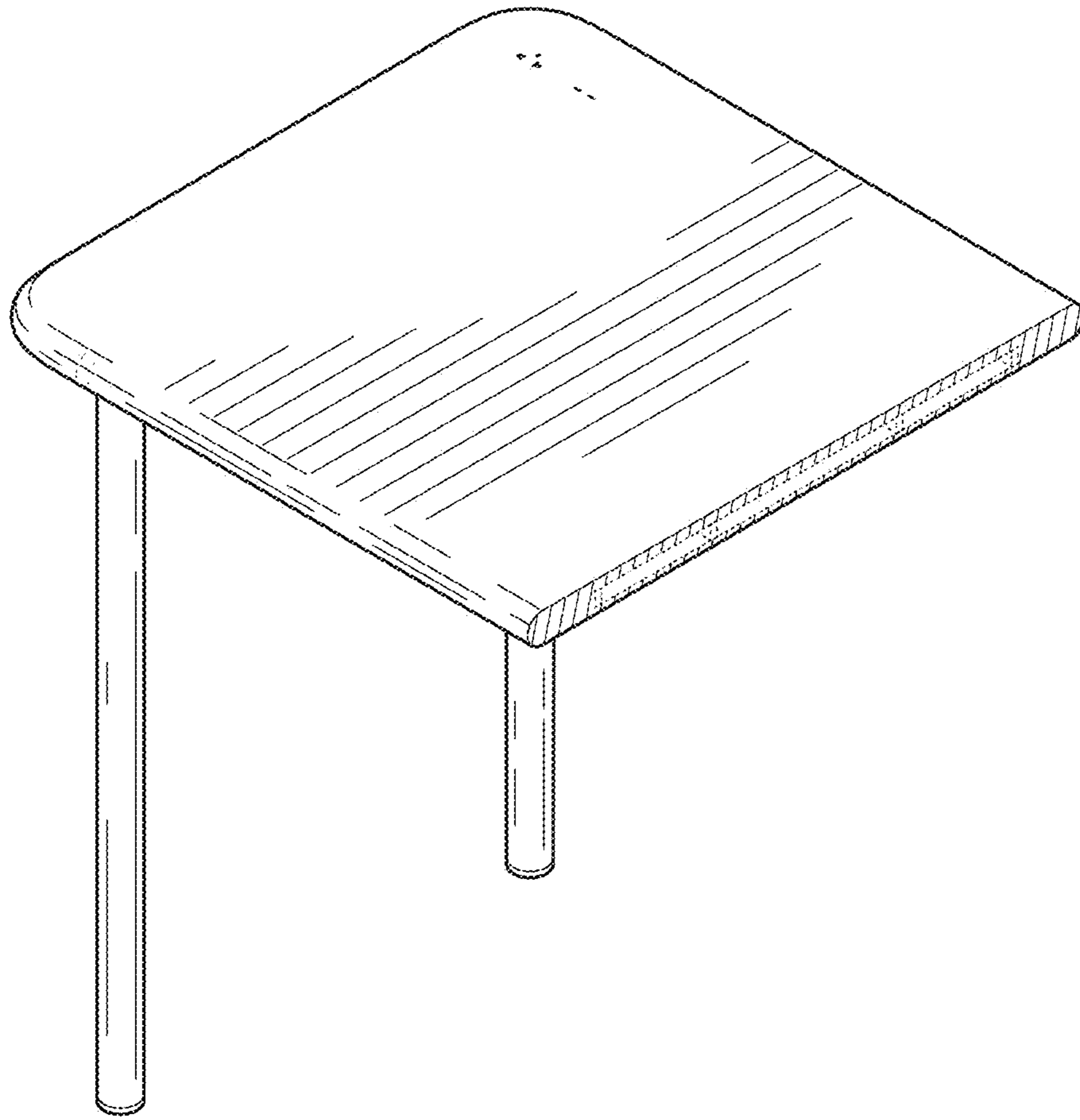


Fig. 7

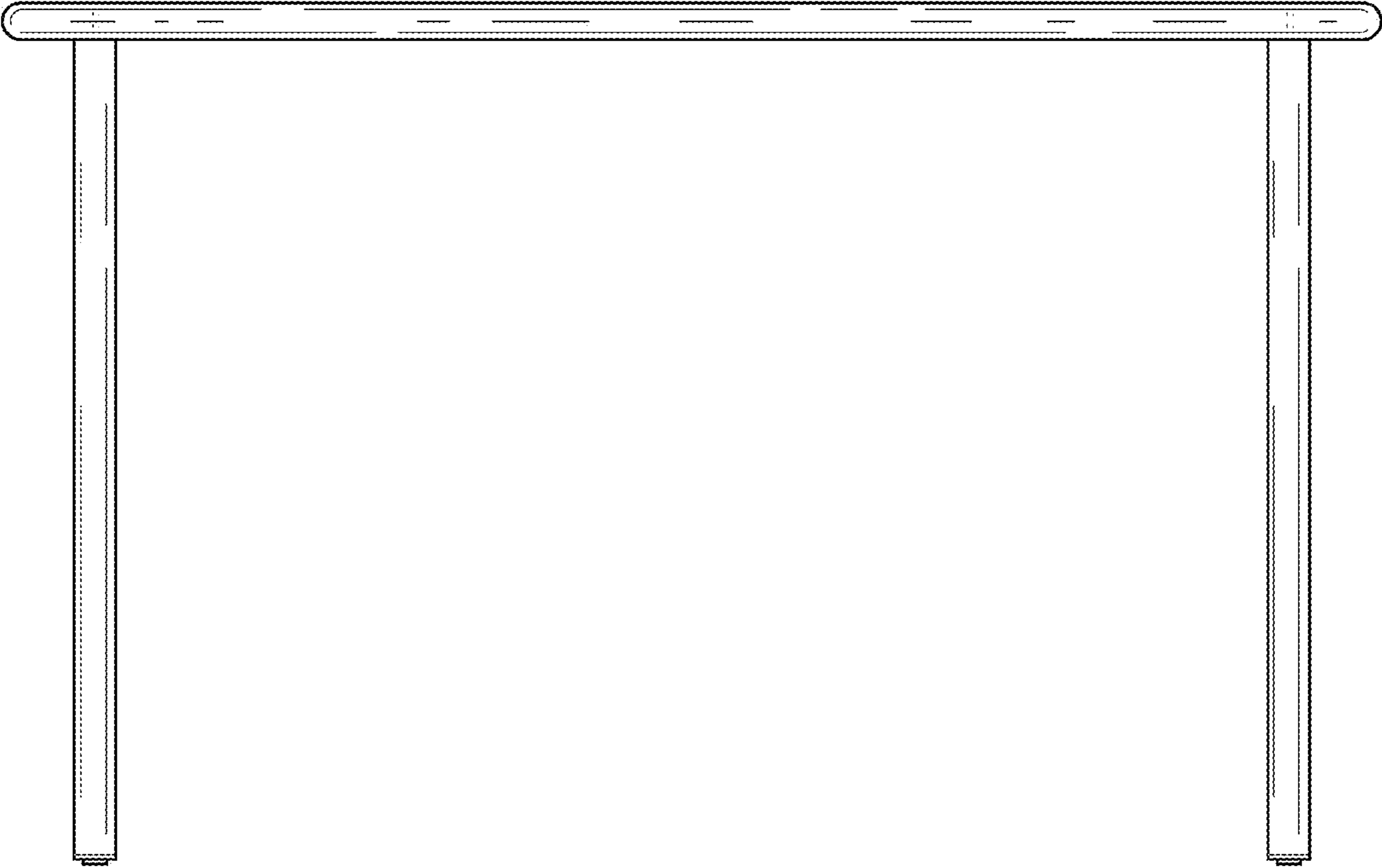


Fig. 8

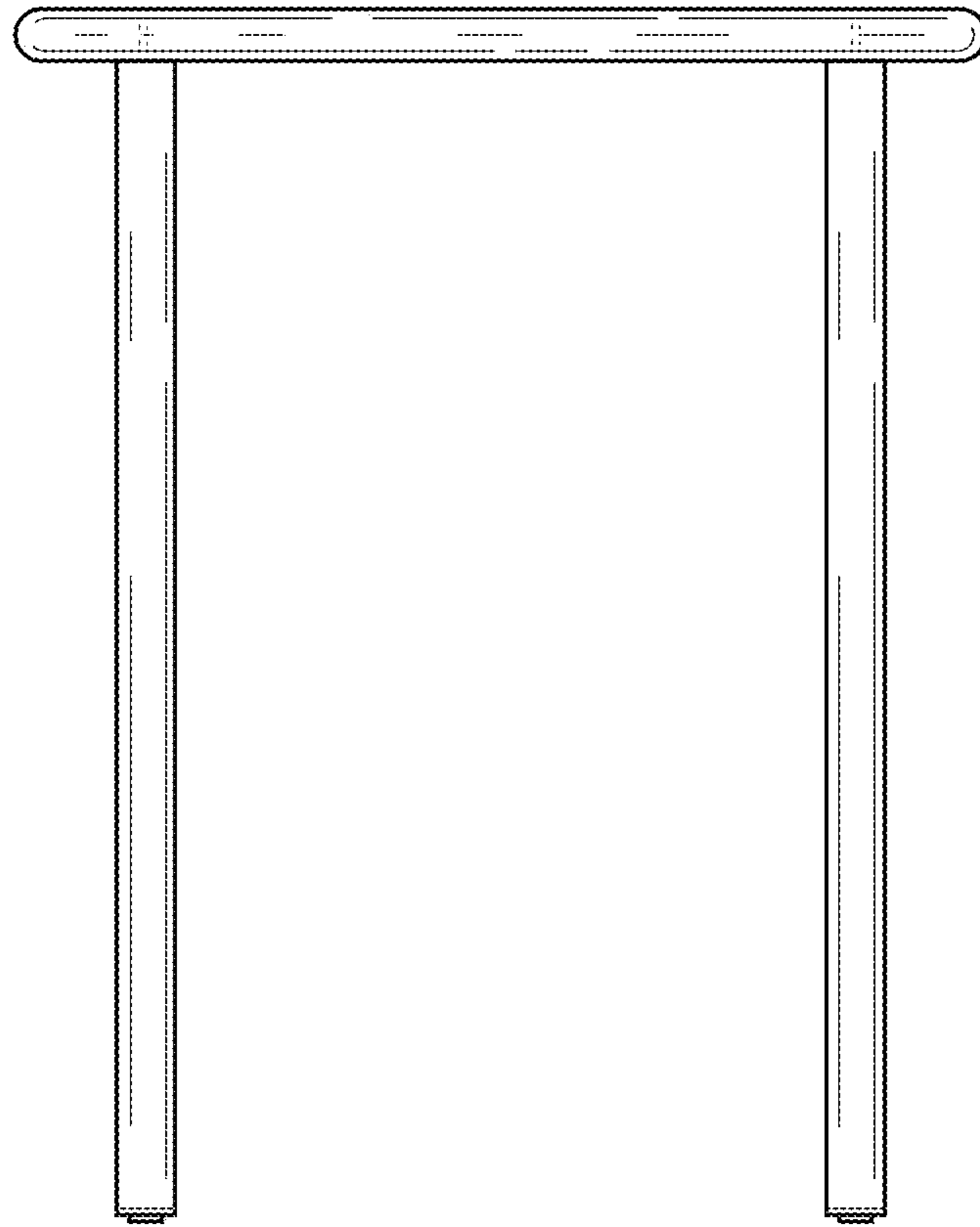


Fig. 9