



US00D917938S

(12) **United States Design Patent** (10) **Patent No.:** **US D917,938 S**
Dougherty et al. (45) **Date of Patent:** **** *May 4, 2021**

(54) **MUSICAL INSTRUMENT STAND**
(71) Applicant: **TKL Products Corp.**, Oilville, VA (US)
(72) Inventors: **Thomas D. Dougherty**, Oilville, VA (US); **Kevin R. Watts**, Oilville, VA (US)
(73) Assignee: **TKL Products Corp.**, Oilville, VA (US)

6,121,527 A * 9/2000 Hamm G10G 5/00 84/327
D506,774 S * 6/2005 Stevens D17/99
D610,835 S * 3/2010 Mono D6/682
D613,524 S 4/2010 Jeffers
D627,990 S * 11/2010 Shea D6/682
D628,830 S * 12/2010 Mono D6/682.3

(Continued)

(*) Notice: This patent is subject to a terminal disclaimer.
(**) Term: **15 Years**
(21) Appl. No.: **29/706,989**
(22) Filed: **Sep. 25, 2019**

OTHER PUBLICATIONS

Zither Handcrafted Wood Guitar Stand, zitherusa.com, [online], product publicly available at least as early as Nov. 22, 2017, [retrieved on Jun. 13, 2019], <URL: https://zitherusa.com/collections/stands/products/the-original-z-stand-wooden-guitar-stand>, 11 pages.

(Continued)

Primary Examiner — Kelley A Donnelly
(74) *Attorney, Agent, or Firm* — Lerner, David, Littenberg, Krumholz & Mentlik, LLP

Related U.S. Application Data

(63) Continuation-in-part of application No. 29/686,112, filed on Apr. 2, 2019.
(51) **LOC (13) Cl.** **06-06**
(52) **U.S. Cl.**
USPC **D6/682**
(58) **Field of Classification Search**
USPC D6/682, 682.3, 682.4, 682.5; D17/99
CPC A47F 7/00; A47F 7/142; A47F 7/0021; A47F 5/00; A47F 5/01; A47F 5/04; G10G 5/00
See application file for complete search history.

CLAIM

(57) The ornamental design for a musical instrument stand, as shown and described.

DESCRIPTION

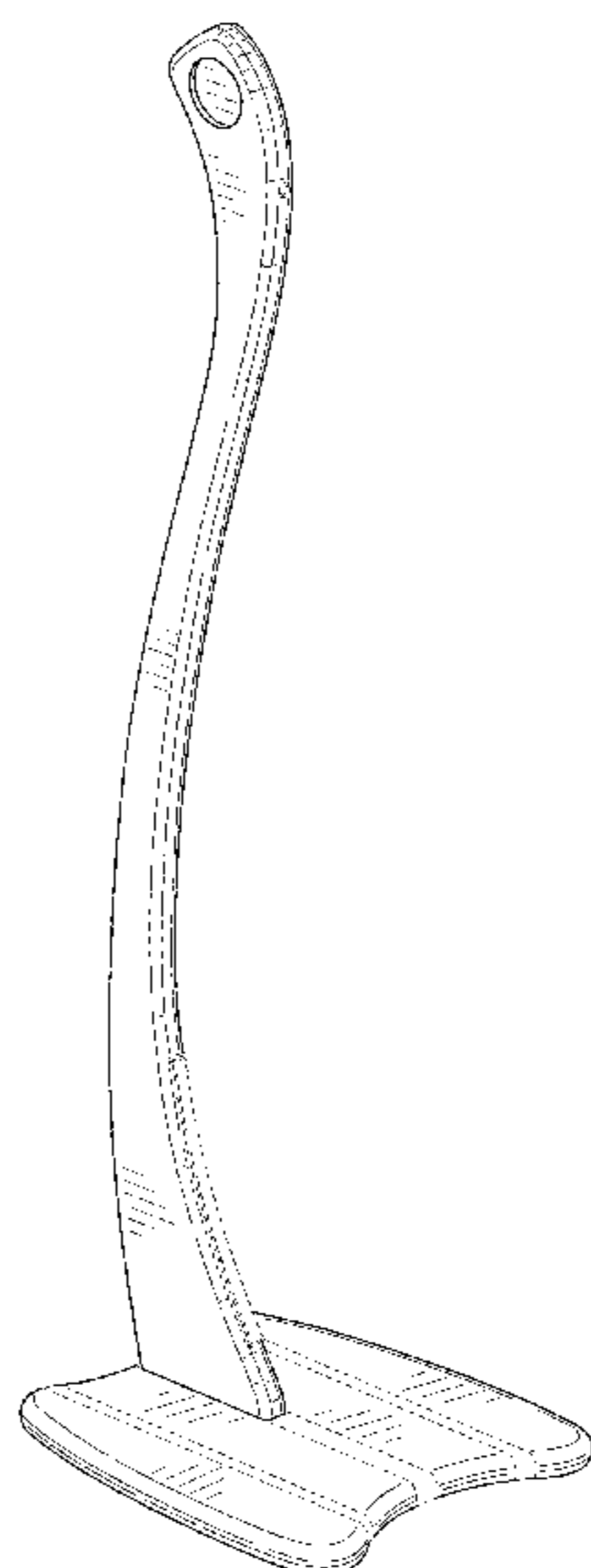
FIG. 1 is a front left perspective view of a musical instrument stand according to a first embodiment of our design; FIG. 2 is a front elevation view thereof; FIG. 3 is a rear elevation view thereof; FIG. 4 is a right side elevation view thereof; FIG. 5 is a left side elevation view thereof; FIG. 6 is a top plan view thereof; FIG. 7 is a bottom plan view thereof; and, FIG. 8 is a front left perspective view thereof showing an example use of the musical instrument stand. The broken lines shown in the drawings are for the purpose of illustrating environmental structure or portions of the musical instrument stand that form no part of the claimed design.

(56) **References Cited**

U.S. PATENT DOCUMENTS

D353,729 S * 12/1994 MacOwan D6/682
D396,579 S * 8/1998 Kalayjian D6/682
5,852,250 A * 12/1998 Cha G10G 5/00 84/327

1 Claim, 5 Drawing Sheets



(56)

References Cited

U.S. PATENT DOCUMENTS

D646,505 S *	10/2011	Eason	D6/682.3
D675,039 S *	1/2013	Foisy	D6/682.1
D707,475 S *	6/2014	Triato	D6/682.3
D784,056 S *	4/2017	Van Herpe	D6/682
D846,321 S *	4/2019	Vandervorst	D6/682
2019/0103079 A1 *	4/2019	Jacobson	G10G 5/00

OTHER PUBLICATIONS

Citation of guitar stands in attachments 1-9 of Office Action in U.S. Trademark Application No. 87544993, dated Nov. 2, 2017, 13 pages.

Guitar stand by Stories in Wood, pinterest.com, [online], [retrieved on Feb. 8, 2019], <URL: <https://www.pinterest.com/pin/540572761521537652/>>, 1 page.

Hand Crafted—Solid Wood Guitar Stand-Ash Stand with Black Walnut Plugs, etsy.com, [online], product publicly available at least as early as Feb. 25, 2019, [retrieved on Jun. 13, 2019], <URL:

<https://www.etsy.com/listing/624961062/hand-crafted-solid-wood-guitar-stand-ash>>, 3 pages.

West-Aussie Sheoak Guitar Stand, lumberjocks.com, [online], product publicly available at least as early as Apr. 13, 2012, [retrieved on Jun. 13, 2019], <URL: <https://www.lumberjocks.com/projects/64565>>, 3 pages.

Guitar stand, lumberjocks.com, [online], product publicly available at least as early as Mar. 28, 2012, [retrieved on Jun. 13, 2019], <URL: <https://www.lumberjocks.com/projects/63789>>, 4 pages.

Guitar stand by Phil Guitar Zone, pinterest.com, [online], [retrieved on Feb. 25, 2019], <URL: <https://www.pinterest.com/pin/817825613557217938/>>, 1 page.

Handcrafted Wooden Guitar Stand, pinterest.com, [online], [retrieved on Feb. 25, 2019], <URL: <https://www.pinterest.com/pin/43839796348725528/>>, 1 page.

Hanging Guitar Stand, instructables.com, [online], [retrieved on Jun. 13, 2019], publicly disclosed at least as early as Jan. 25, 2012, <URL: <https://www.instructables.com/id/Hanging-Guitar-Stand/#discuss>>, 28 pages.

* cited by examiner

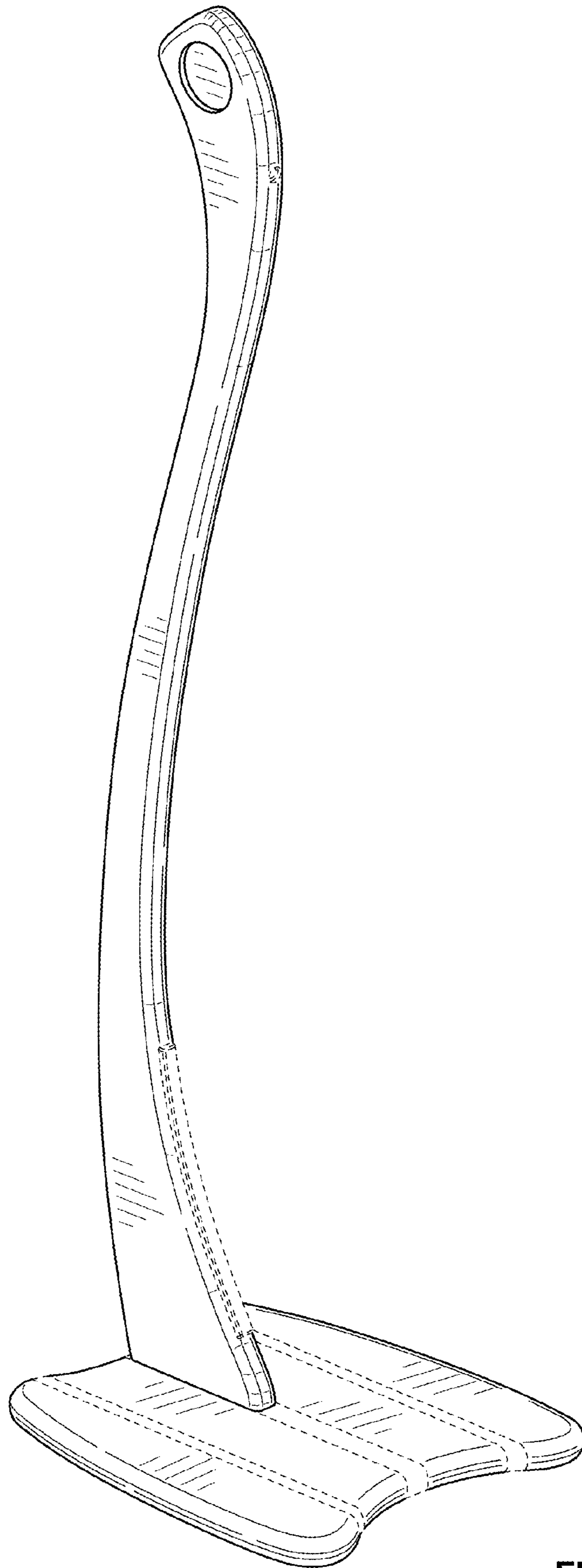


FIG. 1

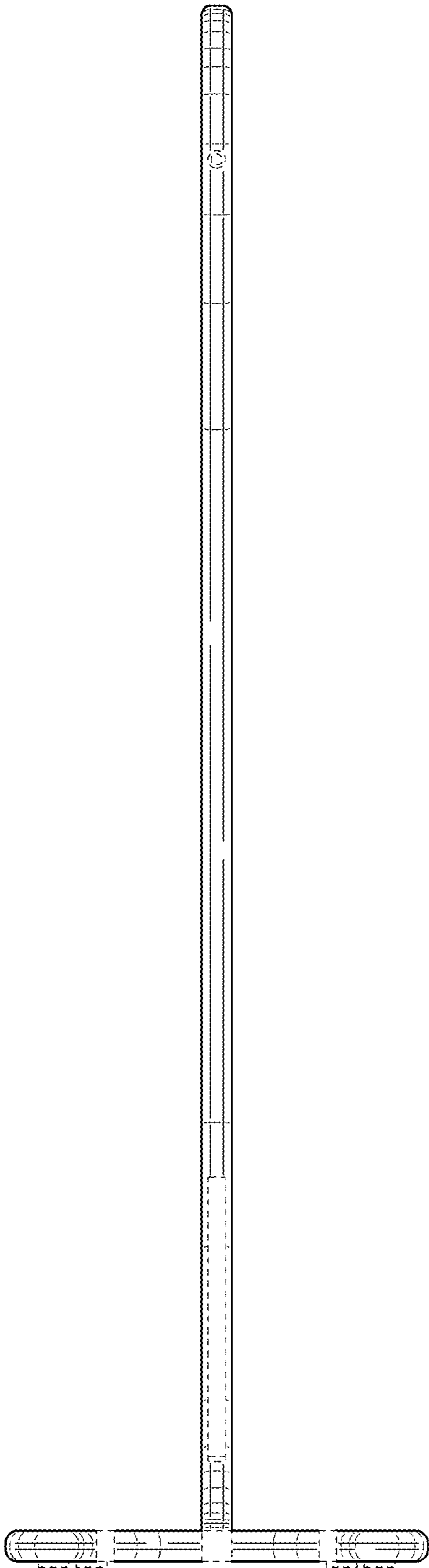


FIG. 2

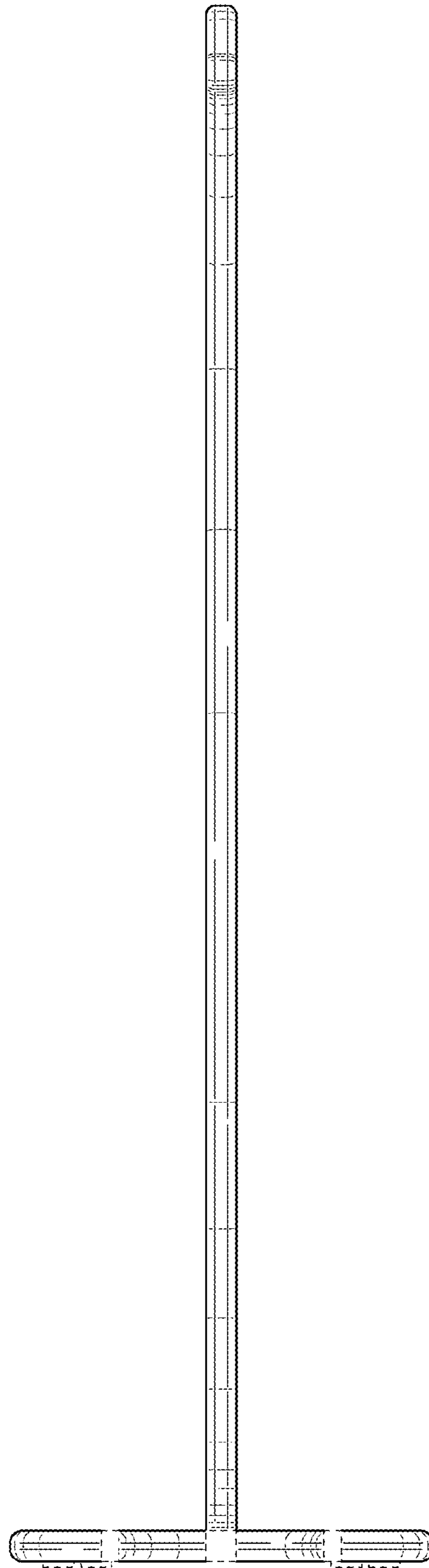


FIG. 3

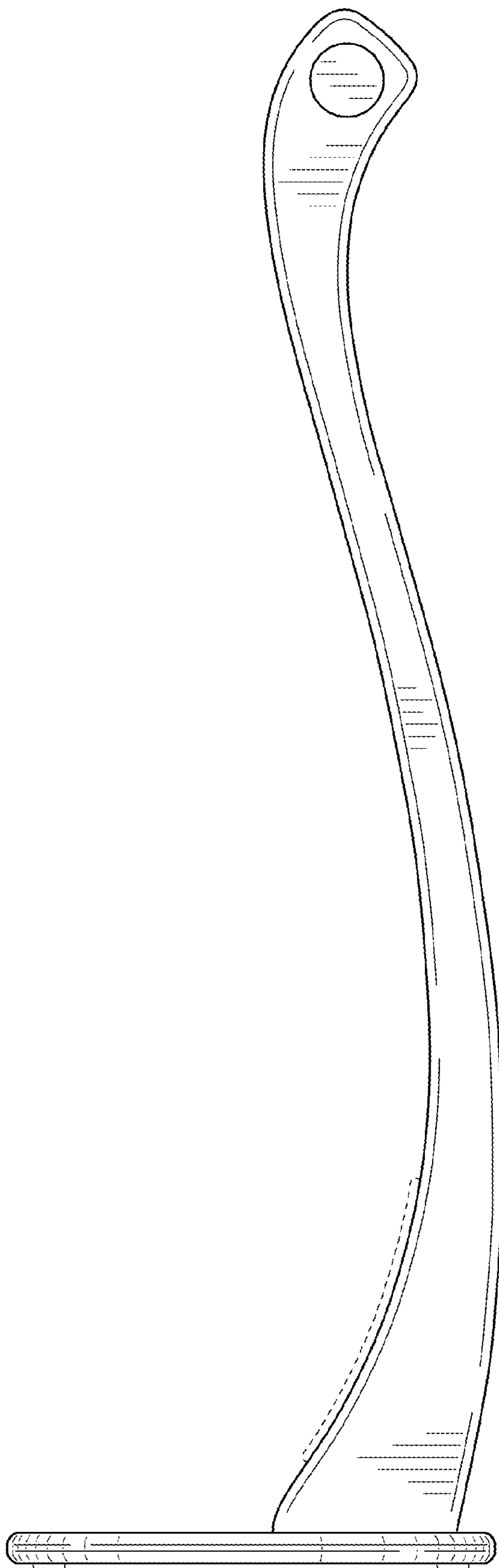


FIG. 4

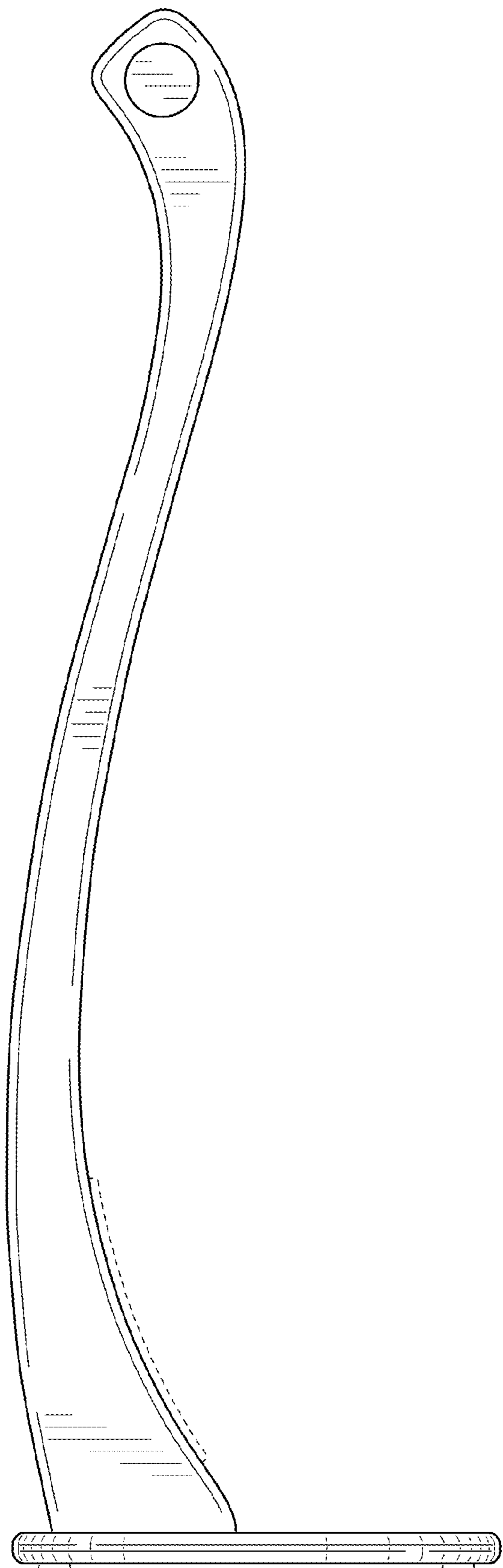


FIG. 5

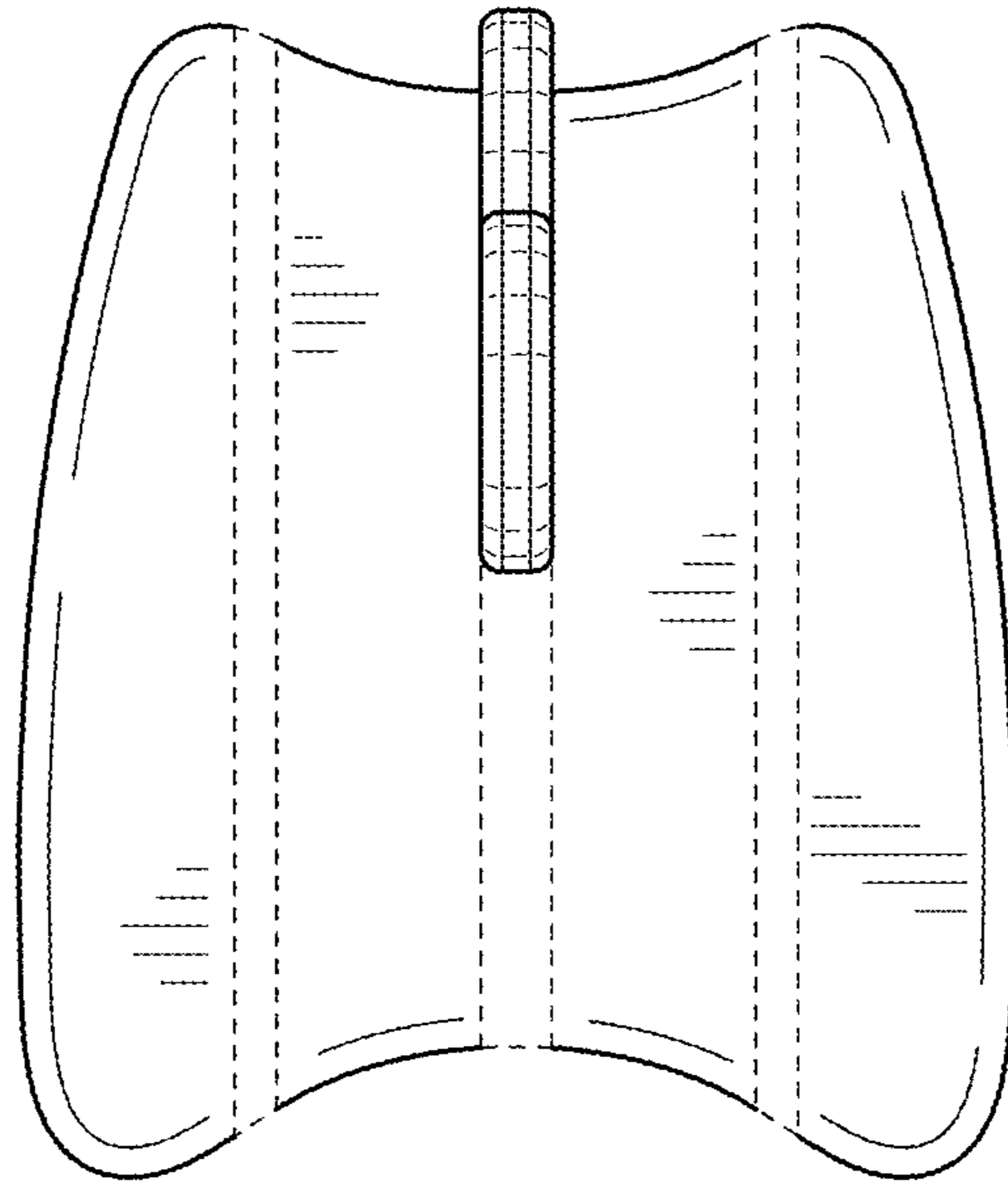


FIG. 6

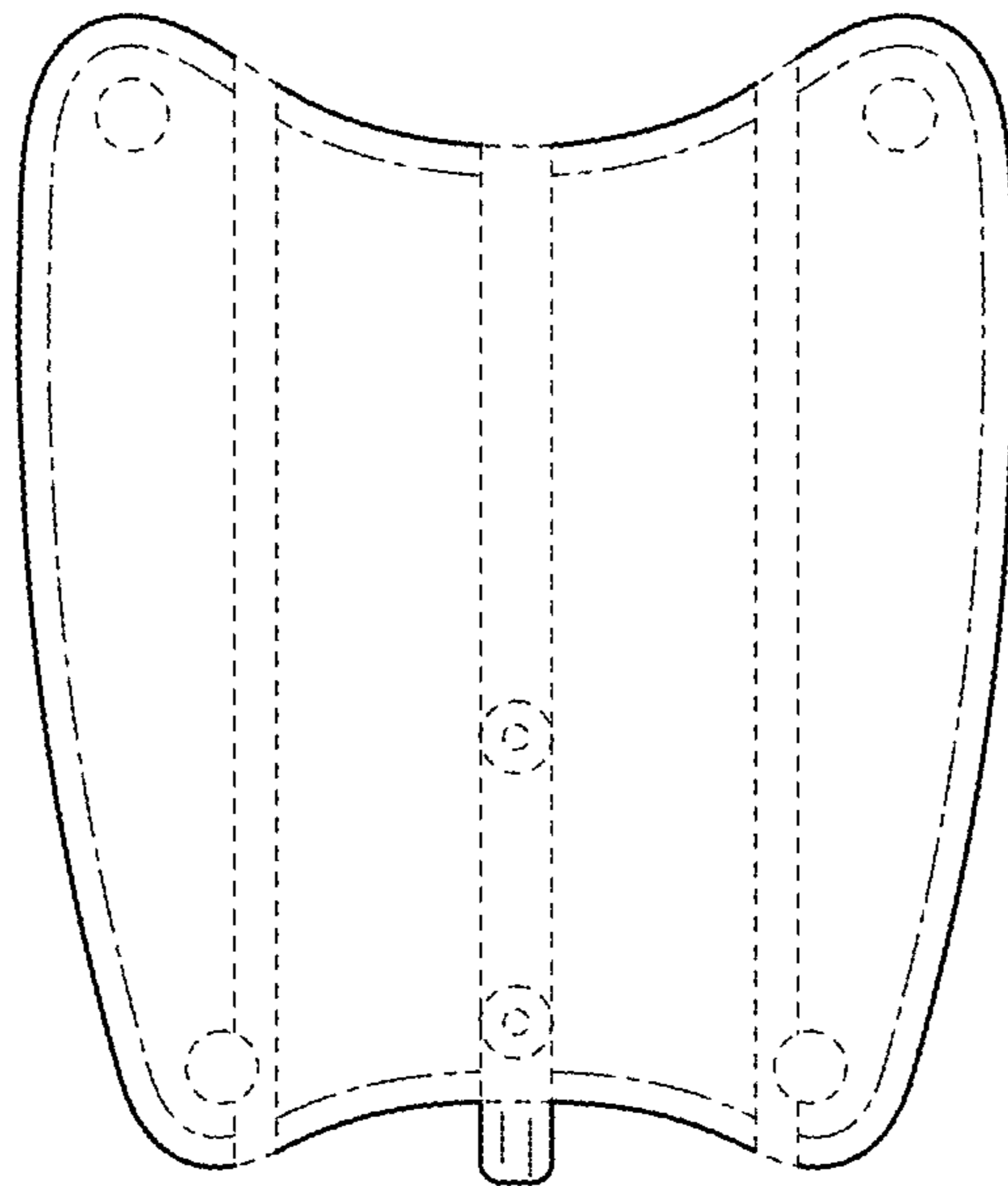


FIG. 7

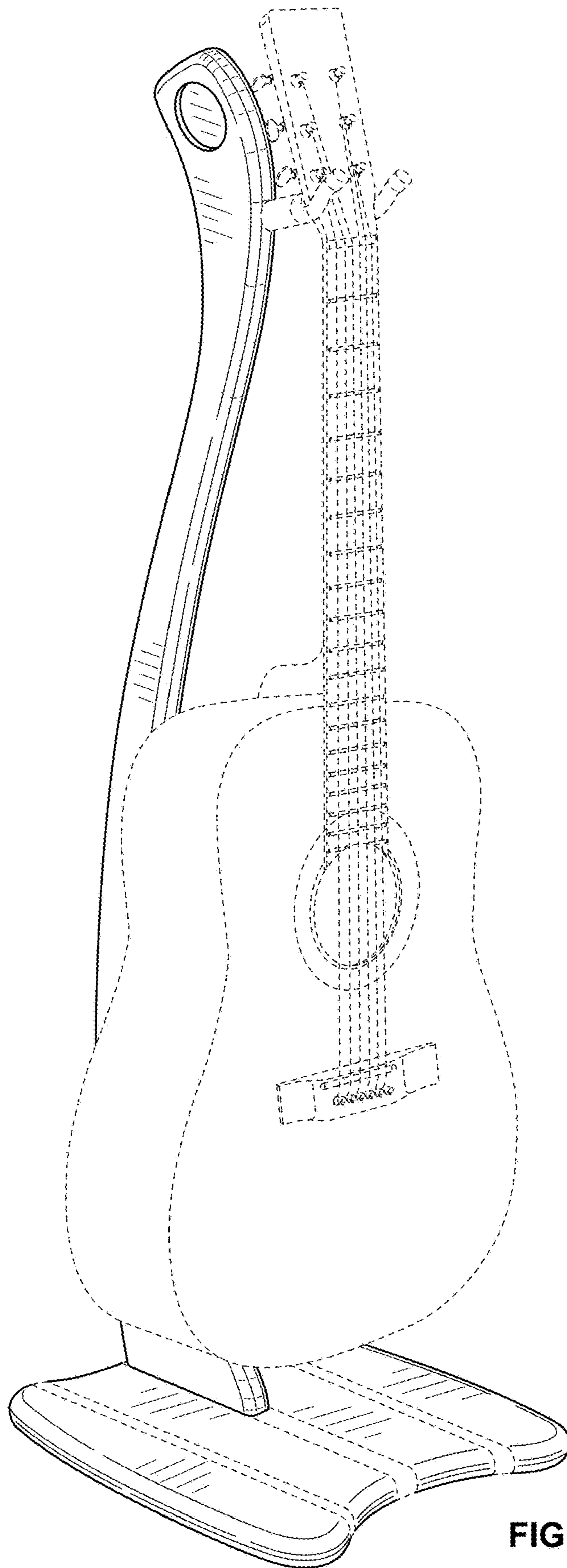


FIG. 8