



US00D917935S

(12) **United States Design Patent** (10) **Patent No.:** **US D917,935 S**
Huang (45) **Date of Patent:** **** May 4, 2021**

(54) **DESK**

(71) Applicant: **NINGBO CHENXIN OPTOELECTRONIC CO., LTD,**
Ningbo (CN)

(72) Inventor: **Huiai Huang,** Cixi (CN)

(73) Assignee: **NINGBO CHENXIN OPTOELECTRONIC CO., LTD,**
Ningbo (CN)

(**) Term: **15 Years**

(21) Appl. No.: **29/755,670**

(22) Filed: **Oct. 22, 2020**

(51) **LOC (13) Cl.** **06-03**

(52) **U.S. Cl.**
USPC **D6/656.17**

(58) **Field of Classification Search**
USPC D6/641, 642, 656, 656.1, 656.13, 656.14,
D6/656.16–656.19, 691
CPC A47B 7/00; A47B 13/00; A47B 13/02;
A47B 13/04; A47B 13/06; A47B 13/08;
A47B 13/10; A47B 13/12; A47B 9/00;
A47B 9/20; A47B 17/00; A47B 17/003;
A47B 17/006; A47B 17/033; A47B
17/06; A47B 21/00; A47B 21/0314; A47B
2021/0301; A47B 2021/0321; A47B
2021/0335; A47B 2021/0364; A47B
2200/0001; A47B 2200/0011; A47B
2200/0002; A47B 2200/0003; A47B
2200/0004; A47B 2200/002; A47B
2200/0027; A47B 2200/0029; A47B
2200/003; A47B 2200/005; A47B
2200/0051; A47B 2200/0054; A47B
2200/0056; A47B 2200/0057; A47B
2200/0059

See application file for complete search history.

(56) **References Cited**

U.S. PATENT DOCUMENTS

D299,798	S	*	2/1989	Sottsas	D6/656.16
D322,729	S	*	12/1991	Diffrient	D6/656.17
9,084,475	B2	*	7/2015	Hjelm	H02J 3/005
D776,961	S		1/2017	Yamamoto		
D877,540	S		3/2020	Yamamoto		
D877,544	S	*	3/2020	Hu	D6/656.16
D879,515	S	*	3/2020	Goldberg	D6/656.16
D880,200	S	*	4/2020	Sokol	D6/656.17
2017/0251806	A1	*	9/2017	Newman	H01R 25/006
2017/0290415	A1	*	10/2017	Hsu	A47B 13/081
2018/0177288	A1	*	6/2018	Lin	H02K 7/06
2018/0338608	A1	*	11/2018	Keller	A47B 9/20

(Continued)

OTHER PUBLICATIONS

Maple Sit Stand Desk—SitStand.com—first review on Jun. 28, 2018 <https://sitstanddesk.com/e21e-electric-sitstanddesk-with-rectangular-hpl-maple-top.html?gclid=retrieved> from the internet on Nov. 26, 2019.*

(Continued)

Primary Examiner — Mary Ann Calabrese

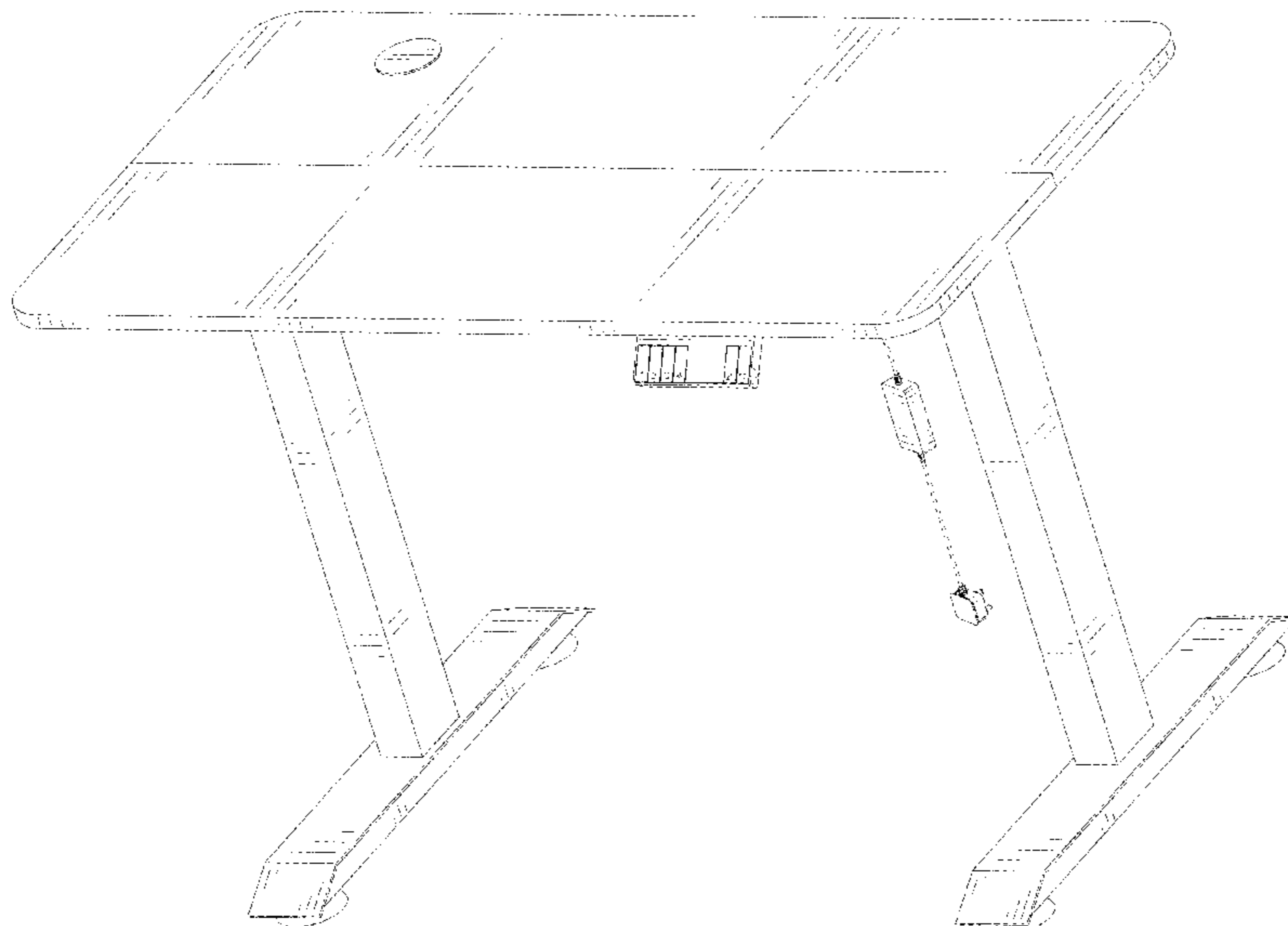
(57) **CLAIM**

The ornamental design for a desk, as shown and described.

DESCRIPTION

FIG. 1 is a top front perspective view of a desk showing my new design;
FIG. 2 is a bottom rear perspective view thereof;
FIG. 3 is a front elevational view thereof;
FIG. 4 is a rear elevational view thereof;
FIG. 5 is a left side elevational view thereof;
FIG. 6 is a right side elevational view thereof;
FIG. 7 is a top plan view thereof; and,
FIG. 8 is a bottom plan view thereof.
The broken lines in the drawings depict portions of the desk that form no part of the claimed design.

1 Claim, 8 Drawing Sheets



(56)

References Cited

U.S. PATENT DOCUMENTS

2019/0298055 A1* 10/2019 Yamamoto A47B 9/20
2019/0328130 A1* 10/2019 Egger A47B 21/02
2020/0229588 A1* 7/2020 Chen A47B 9/12
2020/0288867 A1* 9/2020 Knapp E06B 9/42
2020/0337451 A1* 10/2020 Tao A47B 9/12
2020/0352320 A1* 11/2020 Jacobs A47B 21/02
2020/0359785 A1* 11/2020 Lu A47B 13/021

OTHER PUBLICATIONS

Ergonomic electric height adjustable office desk—Global Sources
<https://www.globalsources.com/gsol/1/Electric-standing/p/sm/1165681467.htm> retrieved from the internet on Nov. 26, 2019.*

* cited by examiner

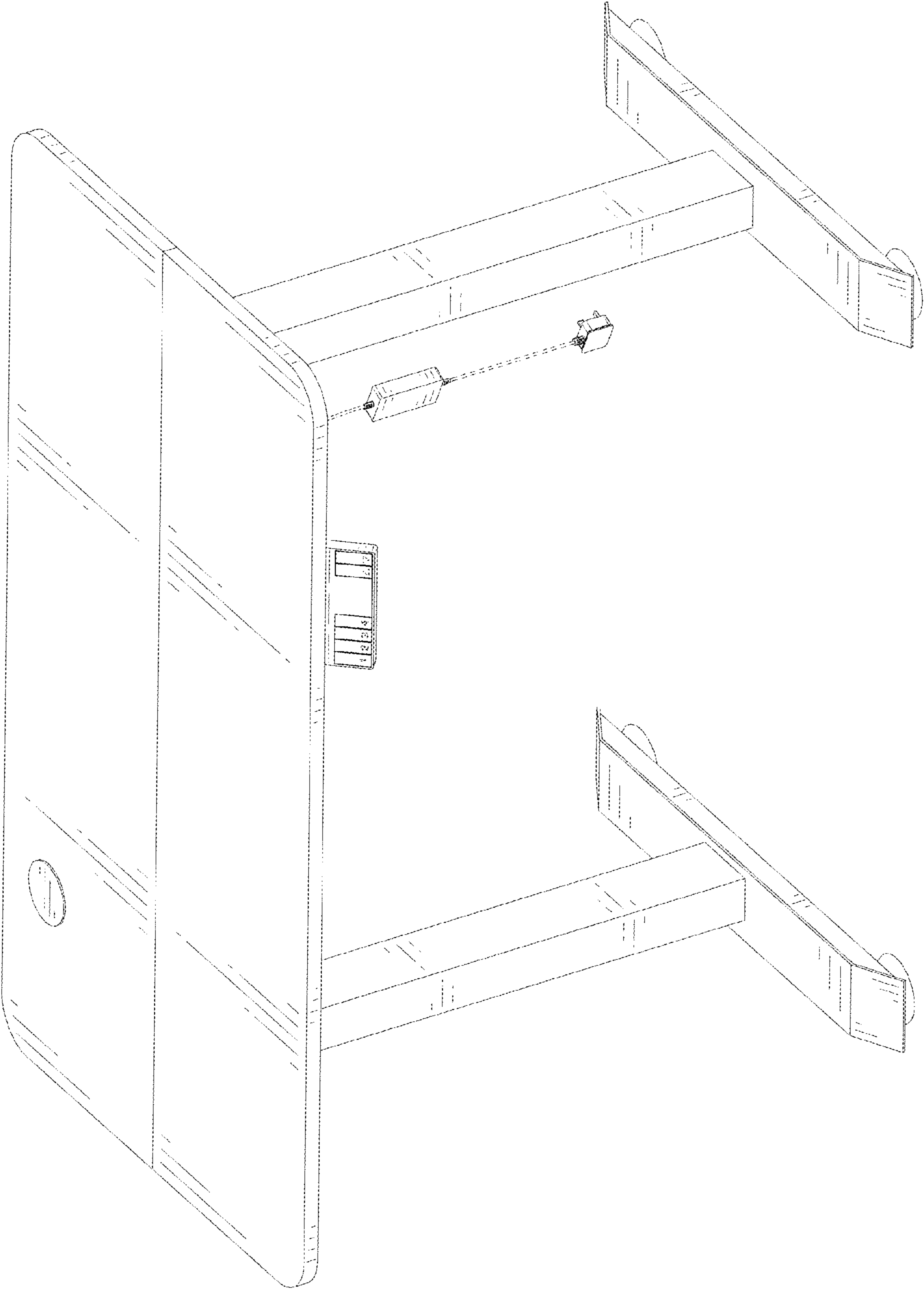


FIG. 1

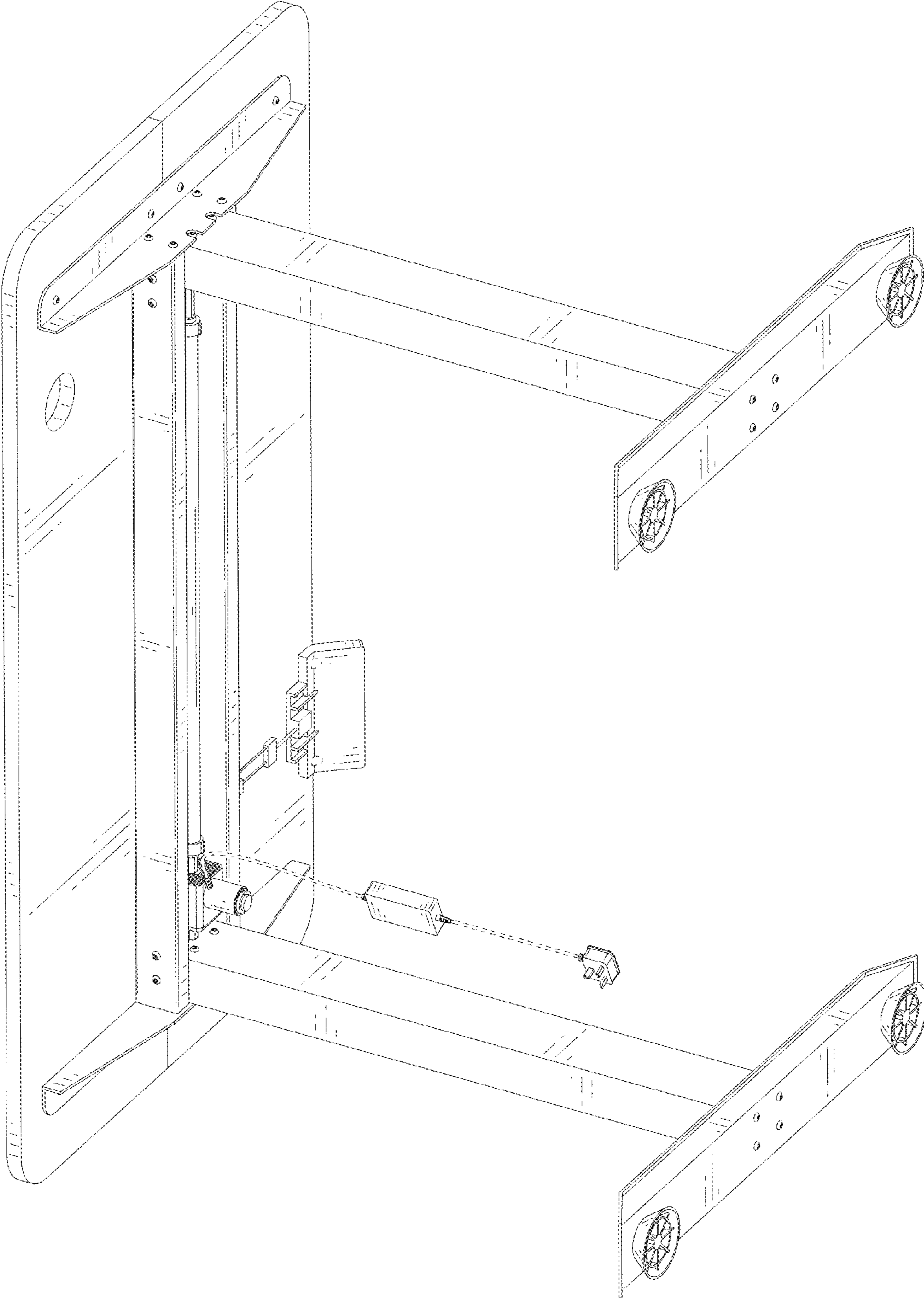


FIG. 2

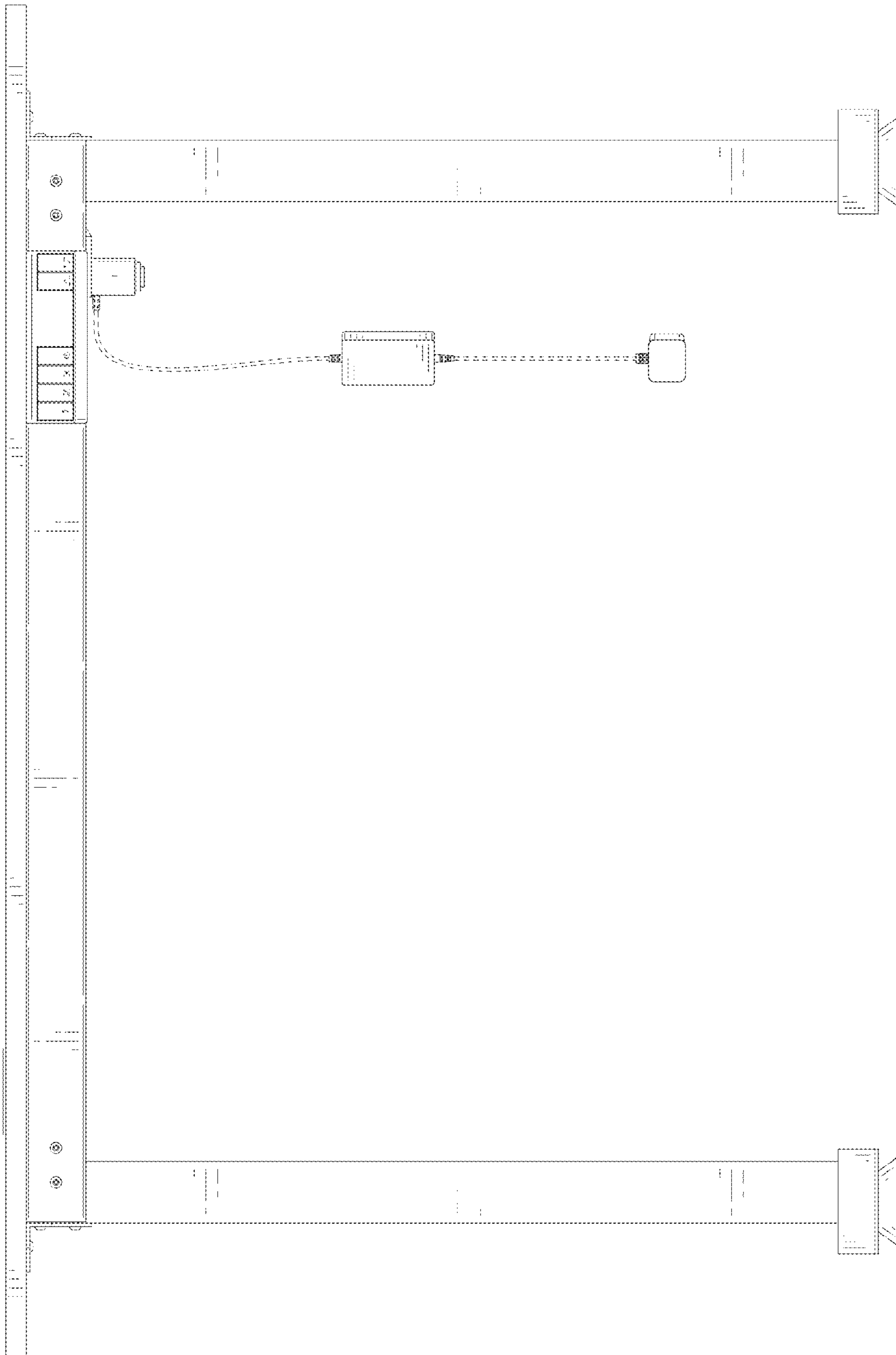


FIG. 3

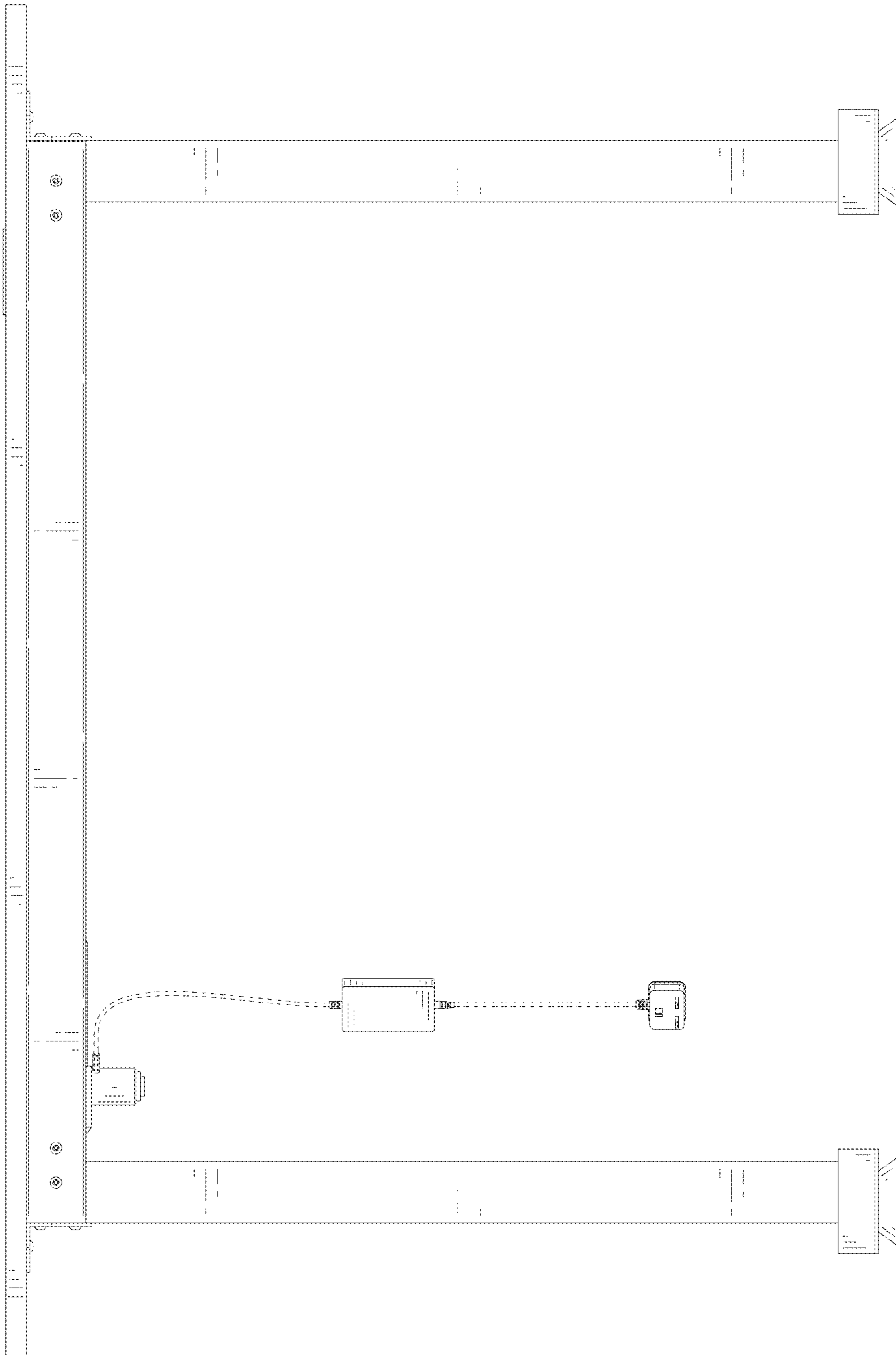


FIG. 4

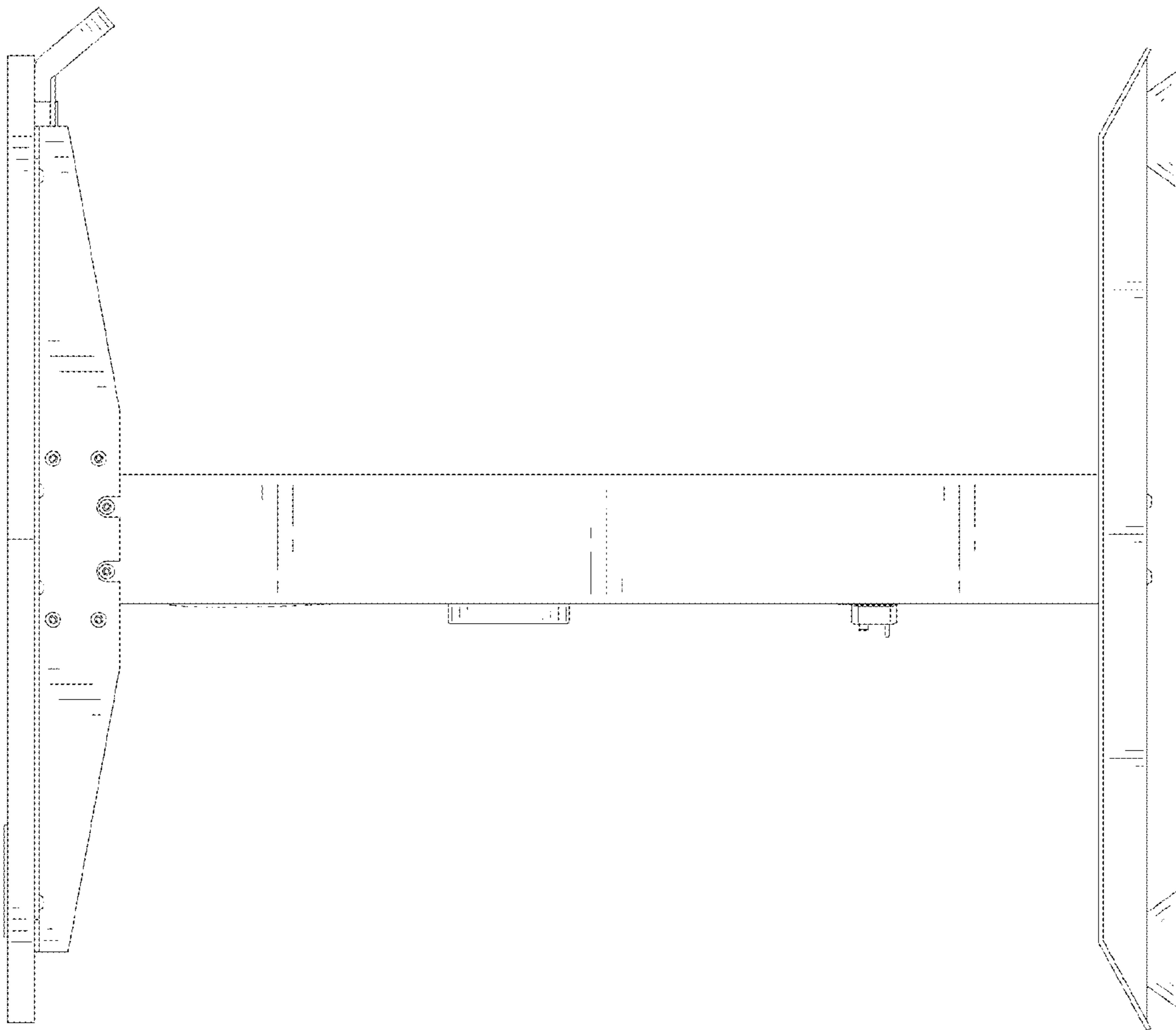


FIG. 5

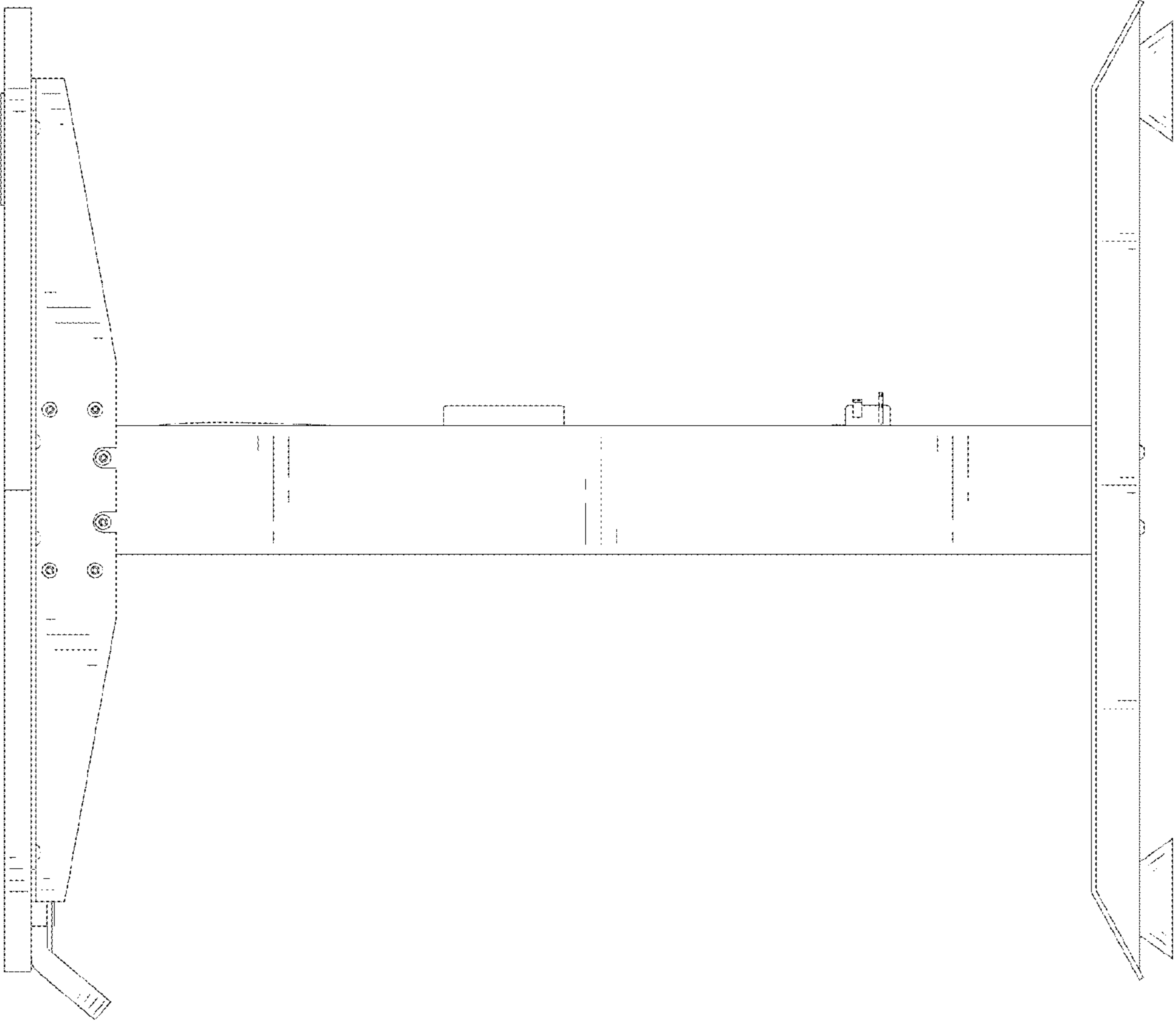


FIG. 6

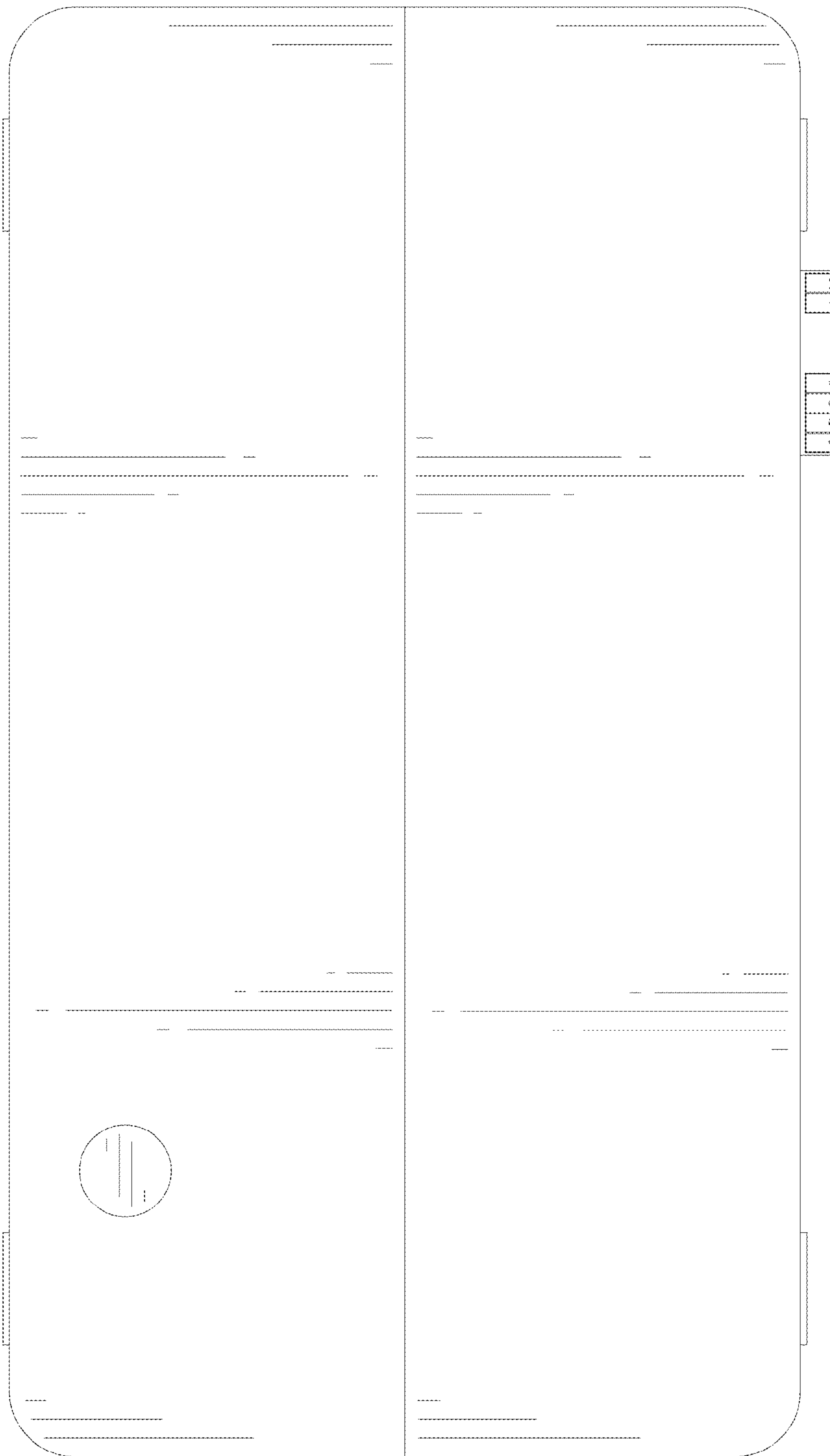


FIG. 7

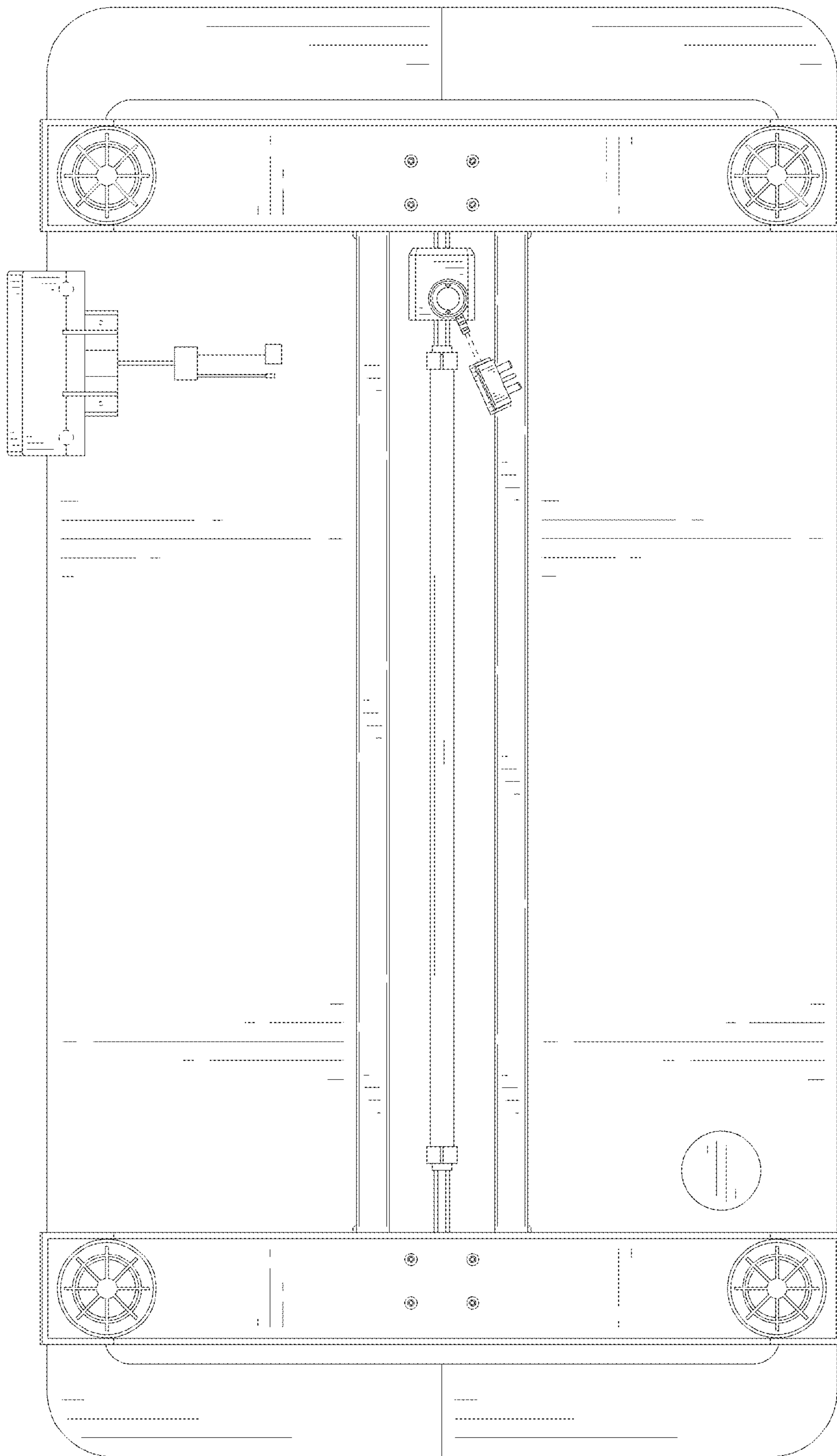


FIG. 8