



US00D917932S

(12) **United States Design Patent**
Gluck

(10) **Patent No.:** **US D917,932 S**

(45) **Date of Patent:** **** May 4, 2021**

(54) **MATTRESS**
(71) Applicant: **Instant Tuck IP Licensing, LLC**, Los Angeles, CA (US)
(72) Inventor: **Adrian Gluck**, Los Angeles, CA (US)
(73) Assignee: **Instant Tuck IP Licensing, LLC**, Los Angeles, CA (US)
(**) Term: **15 Years**

3,737,929 A * 6/1973 Golembeck A47C 31/02
5/739
6,223,371 B1 * 5/2001 Antinori A47C 27/144
5/655.9
6,760,935 B1 * 7/2004 Burton A47G 9/10
5/636
6,988,286 B2 * 1/2006 Schecter A47G 9/10
5/645
D621,196 S * 8/2010 Dellinger Andrick D6/601
8,458,837 B2 * 6/2013 Marcangelo D05B 11/00
5/737

(Continued)

(21) Appl. No.: **29/720,936**

Primary Examiner — Jennifer L Rempfer

(22) Filed: **Jan. 16, 2020**

(74) *Attorney, Agent, or Firm* — Barlow, Josephs & Holmes, Ltd.

Related U.S. Application Data

(63) Continuation-in-part of application No. 16/517,647, filed on Jul. 21, 2019.

(51) **LOC (13) Cl.** **06-09**

(52) **U.S. Cl.**
USPC **D6/605**

(58) **Field of Classification Search**

USPC D6/582–583, 587–592, 595–609,
D6/617–622; D21/803–809; D24/183
CPC A47G 9/00; A47G 2009/001; A47G
2009/002; A47G 2009/003; A47G
2009/005; A47G 2009/006; A47G 9/02;
A47G 9/0207; A47G 9/0215; A47G
9/0223; A47G 9/023; A47G 9/0238;
A47G 9/0246; A47G 9/0253; A47G
9/0261; A47G 9/06; A47G 9/062; A47G
9/066; A47G 9/068; A47G 9/08; A47G
2009/0276; A47G 9/0284; A47G 9/0292;
A47G 9/04; A47G 9/10

See application file for complete search history.

(56) **References Cited**

U.S. PATENT DOCUMENTS

3,047,888 A * 8/1962 Shecter A47C 27/15
428/218
3,262,136 A * 7/1966 Sevcik A47G 9/10
297/452.62

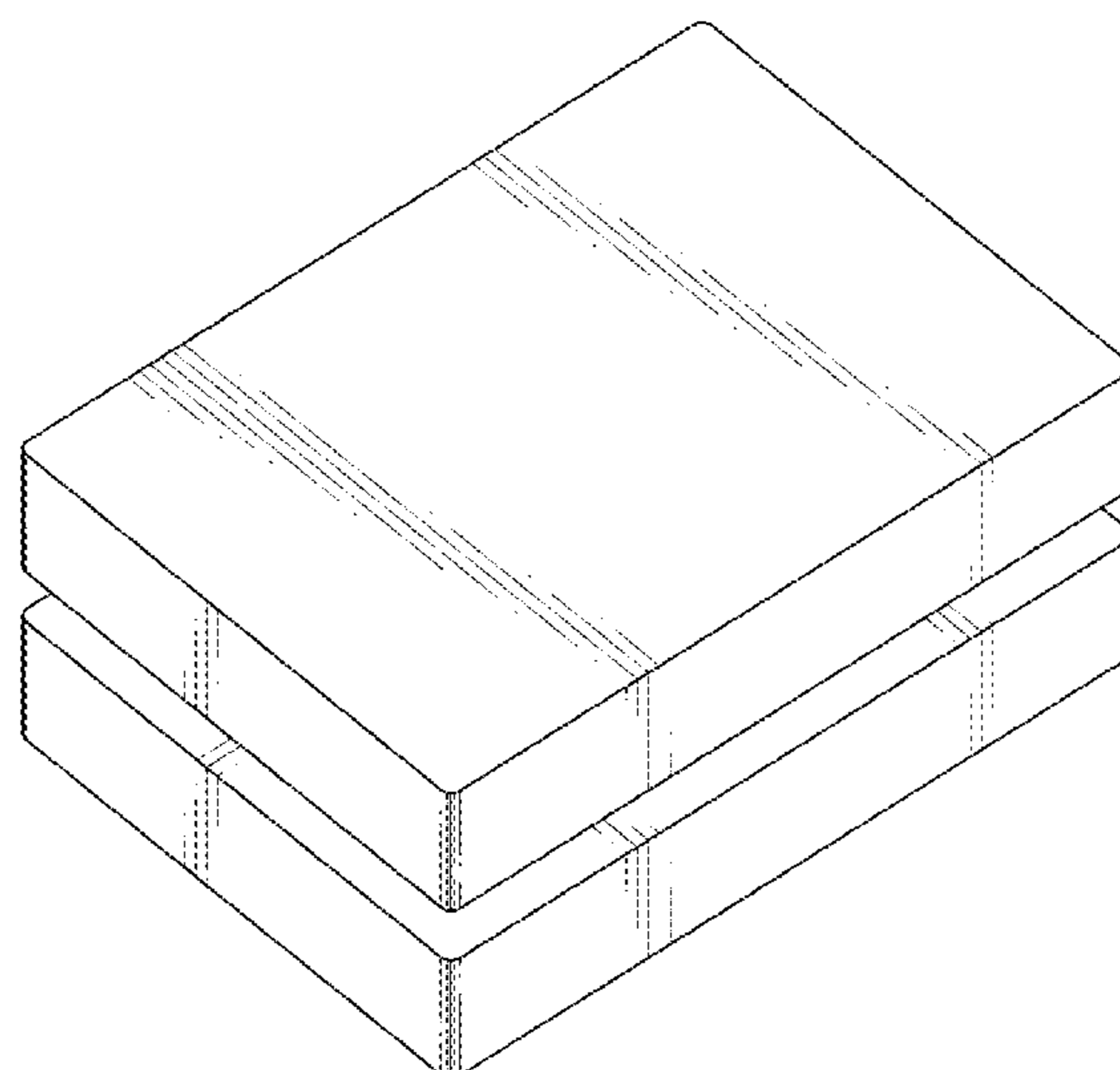
(57) **CLAIM**

The ornamental design for a mattress, as shown and described.

DESCRIPTION

FIG. 1 is a perspective view of a mattress in accordance with the present design;
FIG. 2 is a top view thereof, the top and bottom views being identical;
FIG. 3 is a front view thereof, the front and rear views being identical;
FIG. 4 is side view thereof, both side views being identical;
FIG. 5 is a perspective view of another mattress in accordance with the present design;
FIG. 6 is a top view thereof, the top and bottom views being identical;
FIG. 7 is a front view thereof, the front and rear views being identical; and,
FIG. 8 is side view thereof, both side views being identical.

1 Claim, 4 Drawing Sheets



(56)

References Cited

U.S. PATENT DOCUMENTS

8,590,075 B1 * 11/2013 Amjad A47C 27/086
5/603
D723,304 S * 3/2015 Chang D6/601
D794,357 S * 8/2017 Ross D6/605
9,980,578 B2 * 5/2018 Mikkelsen A47C 21/042

* cited by examiner

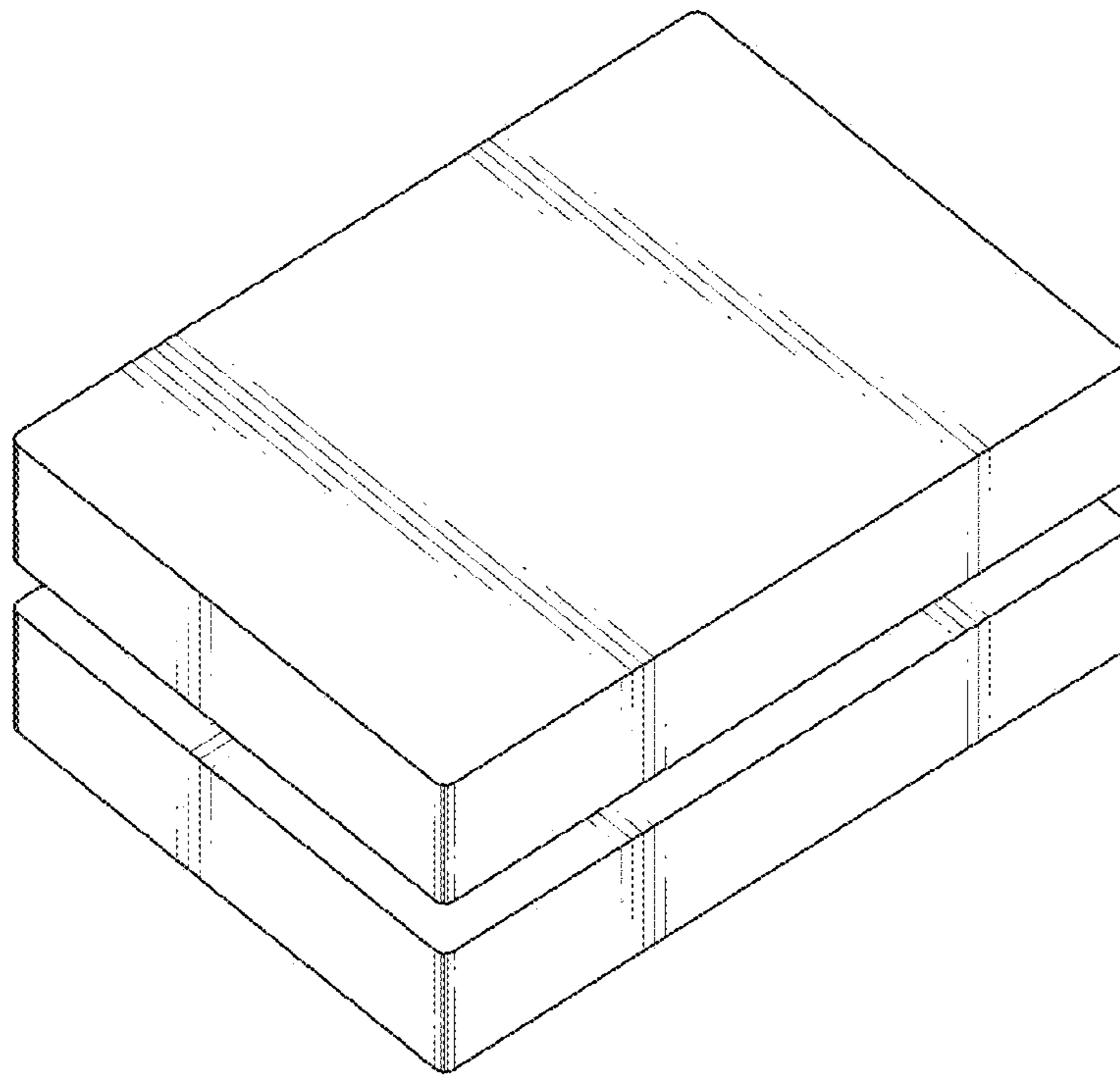


FIG. 1

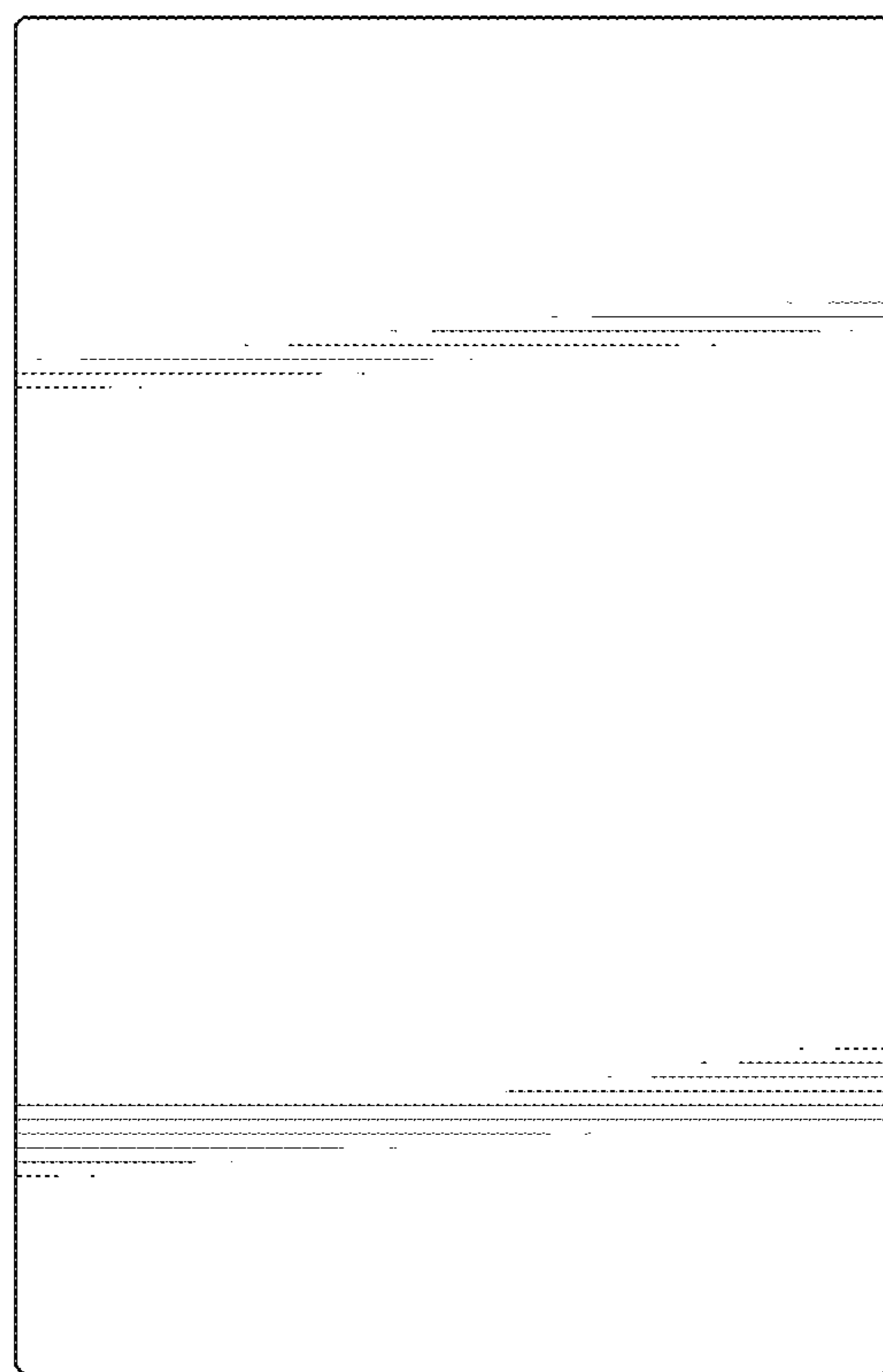


FIG. 2

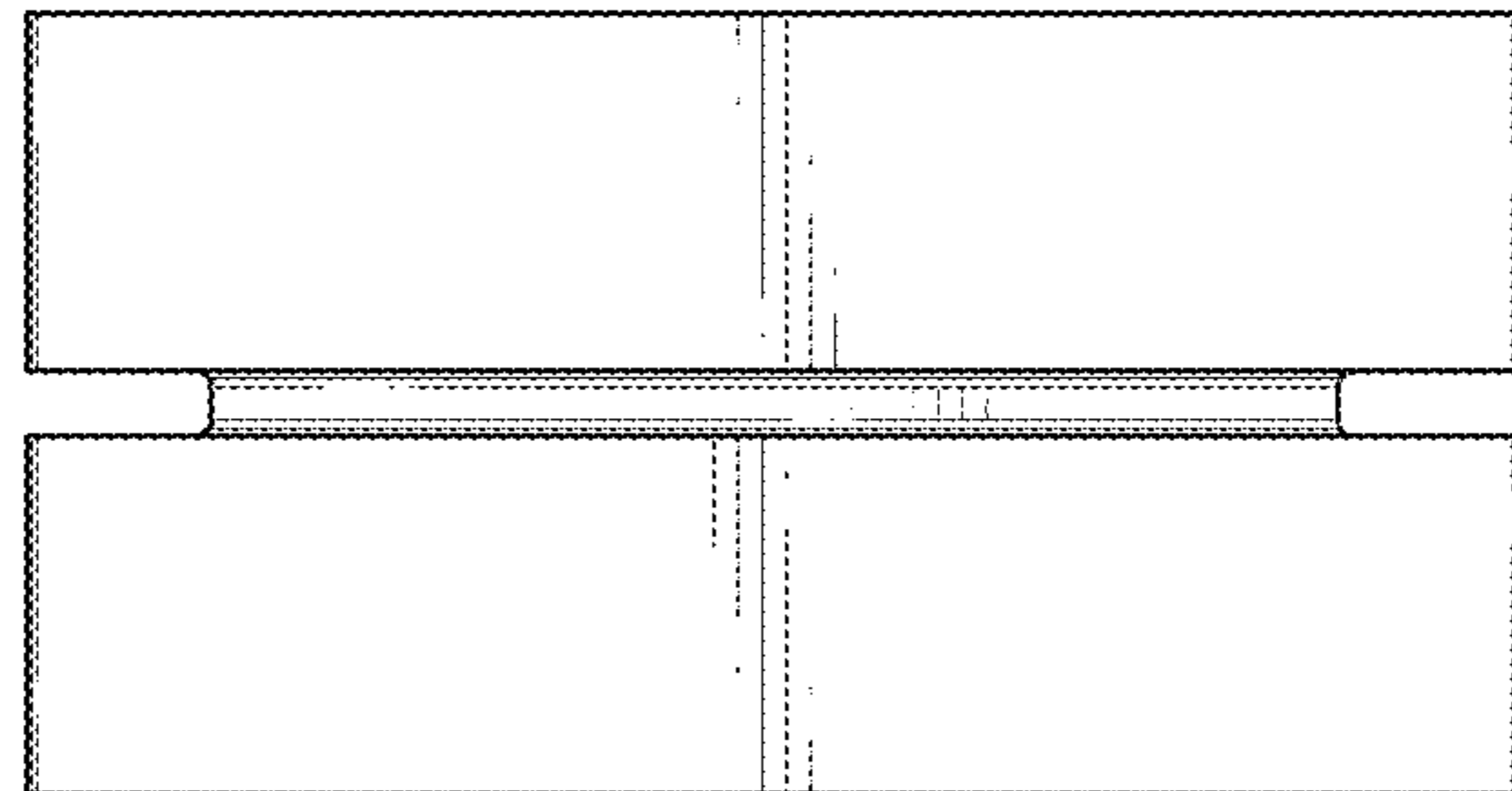


FIG. 3

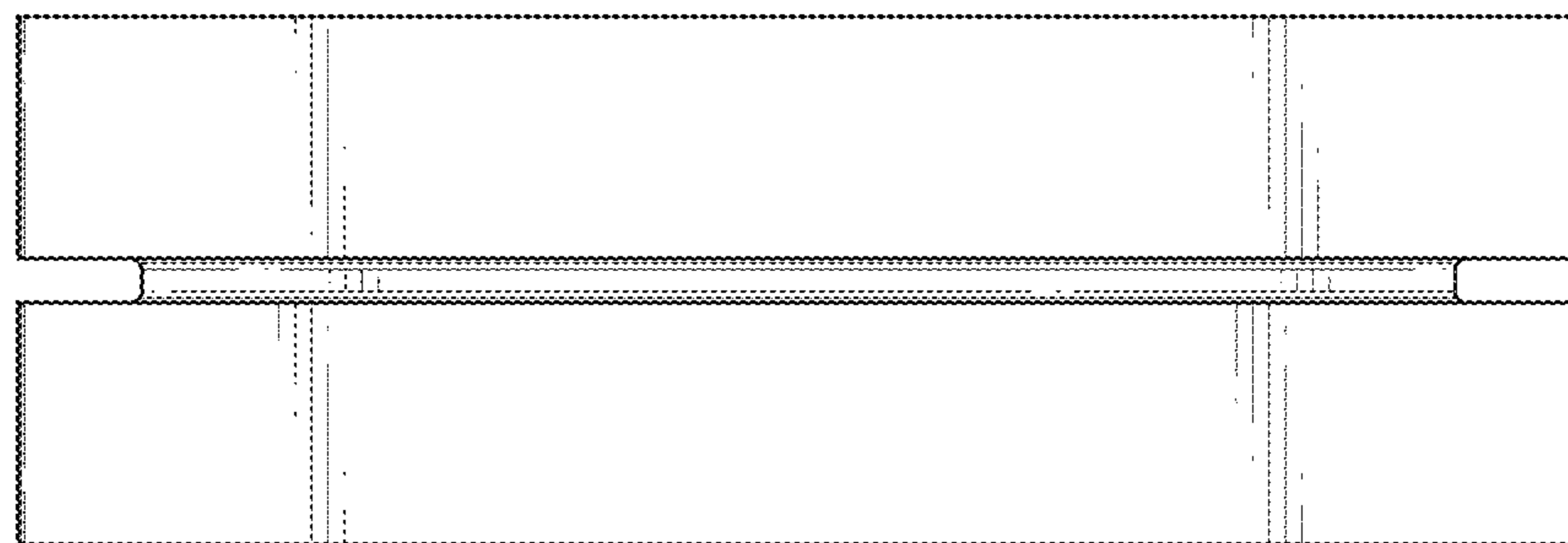


FIG. 4

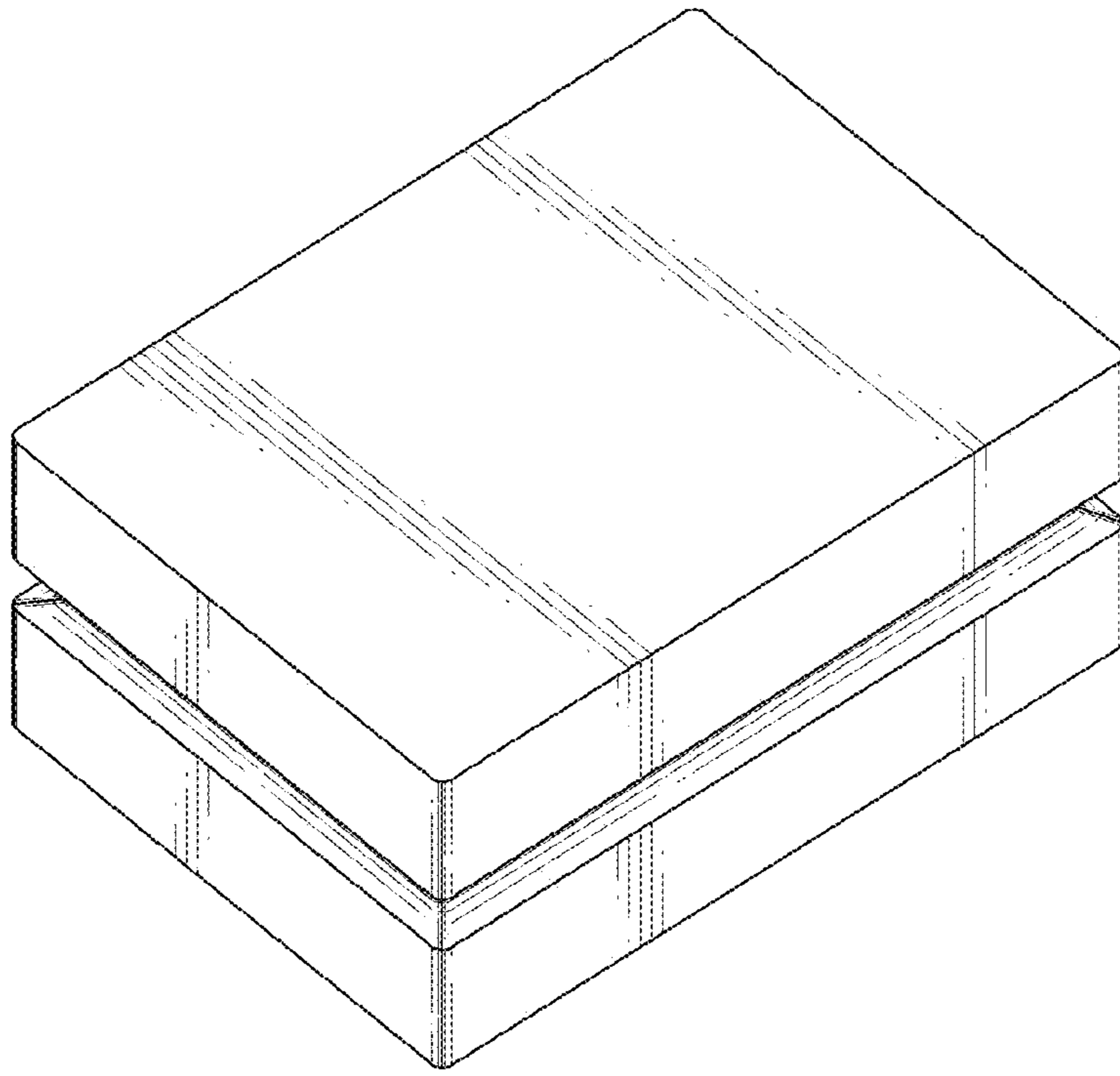


FIG. 5

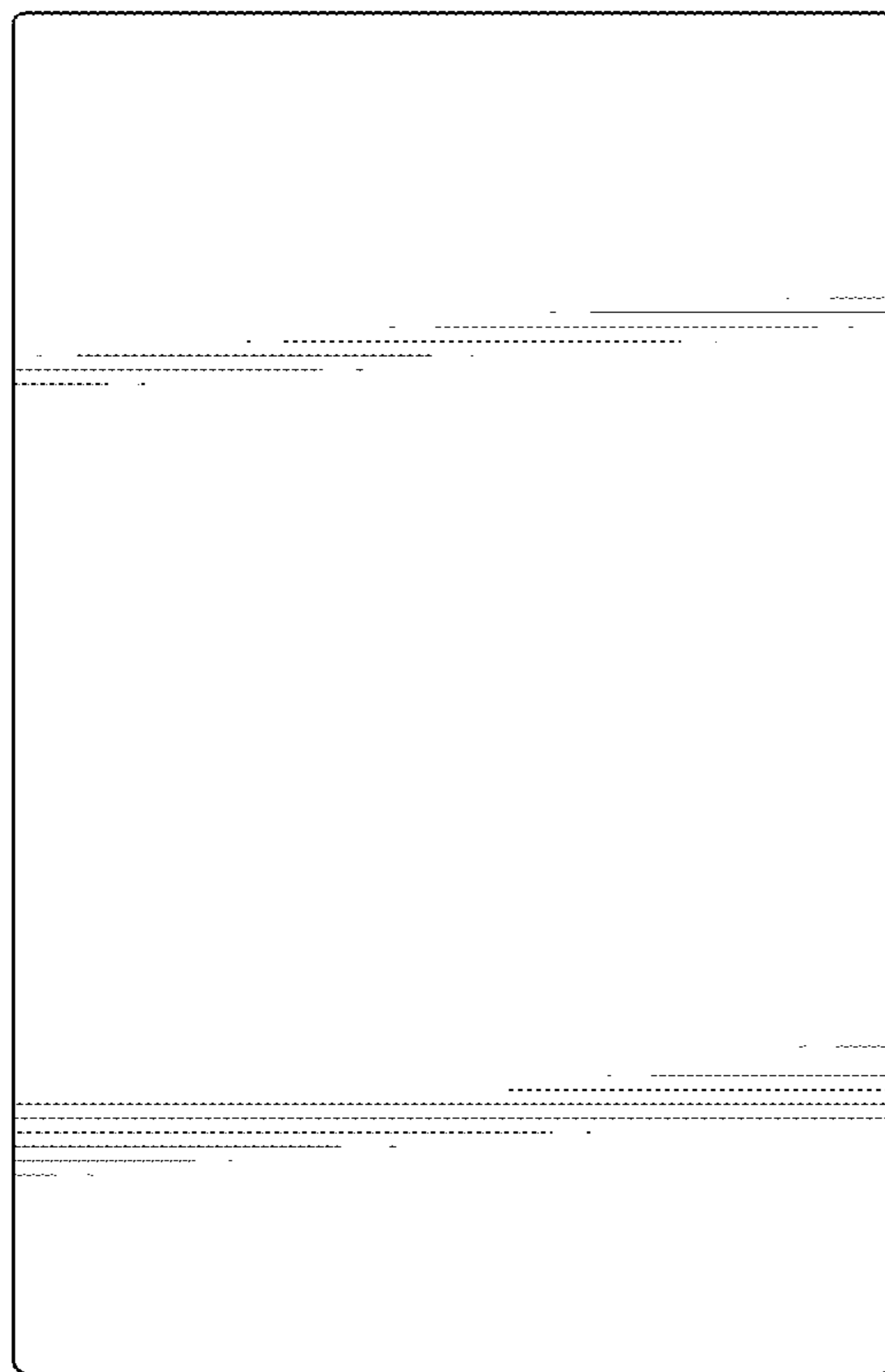


FIG. 6

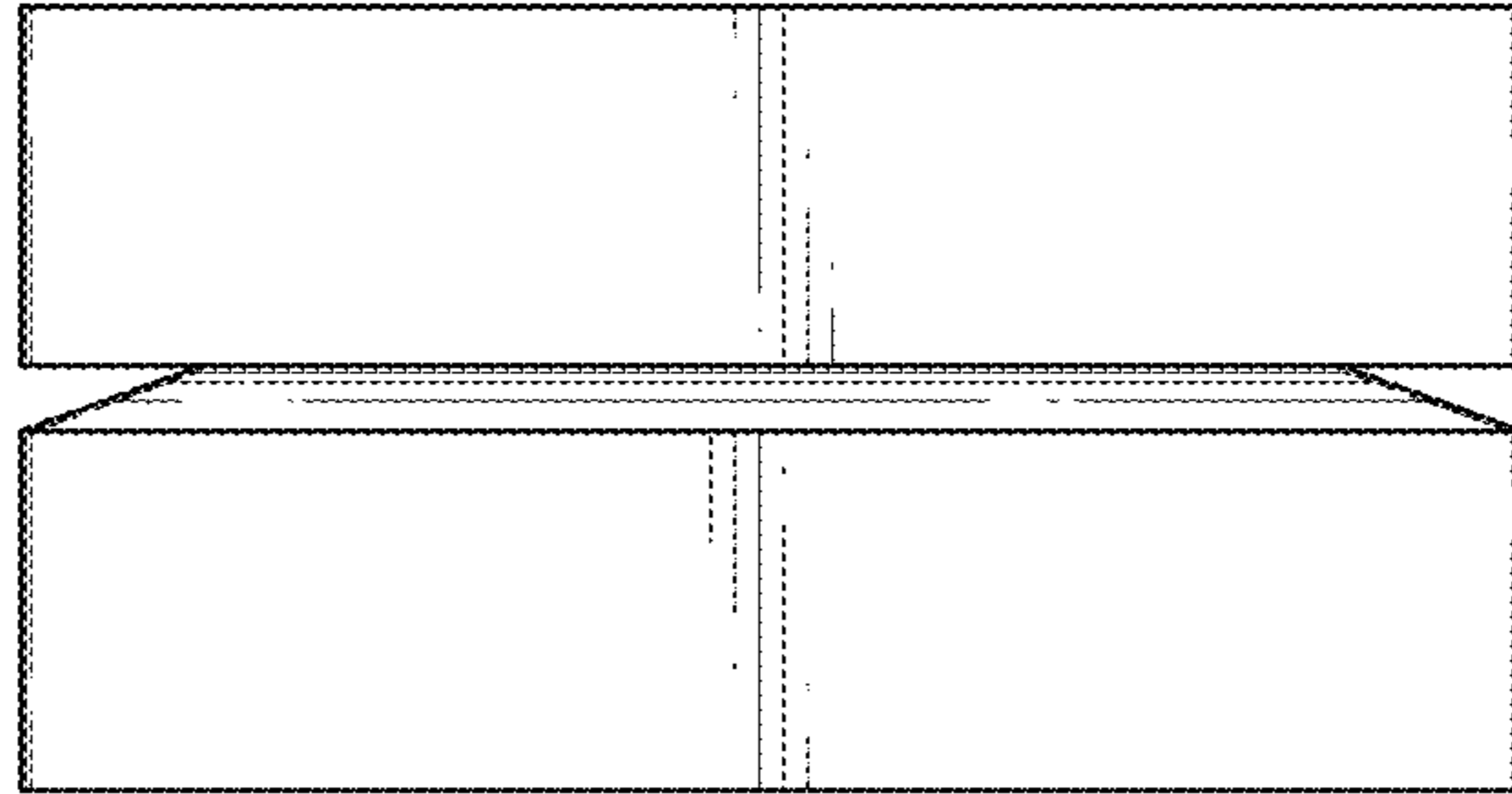


FIG. 7

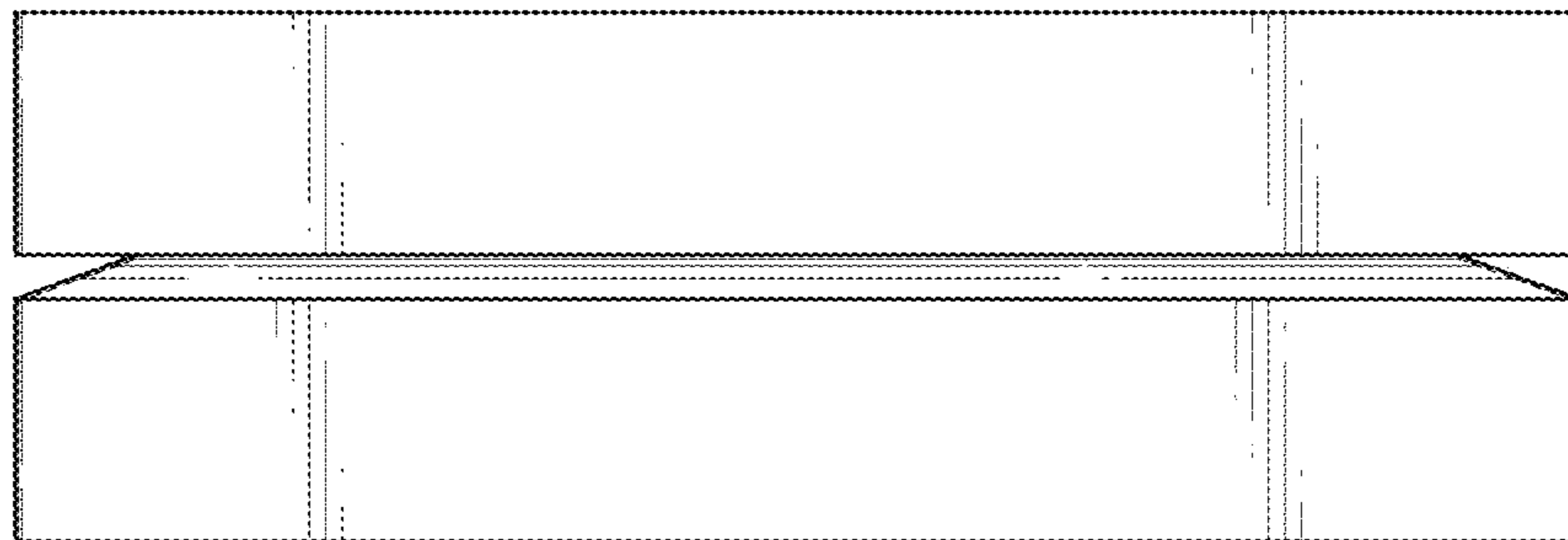


FIG. 8