



US00D917930S

(12) **United States Design Patent** (10) **Patent No.:** **US D917,930 S**
Shilts et al. (45) **Date of Patent:** **** *May 4, 2021**

(54) **BED LINEN DEVICE**

(71) Applicants: **Steven J Shilts**, San Diego, CA (US);
Brook Hjelm, Ramona, CA (US)

(72) Inventors: **Steven J Shilts**, San Diego, CA (US);
Brook Hjelm, Ramona, CA (US)

(*) Notice: This patent is subject to a terminal disclaimer.

(**) Term: **15 Years**

(21) Appl. No.: **29/570,554**

(22) Filed: **Jul. 8, 2016**

Related U.S. Application Data

(63) Continuation-in-part of application No. 14/675,411, filed on Mar. 31, 2015, now Pat. No. 9,672,718.

(51) **LOC (13) Cl.** **06-13**

(52) **U.S. Cl.**
USPC **D6/602**

(58) **Field of Classification Search**

USPC D6/582-583, 587-592, 595-609,
D6/617-622; D21/803-809; D24/183
CPC A47G 9/00; A47G 2009/001; A47G
2009/002; A47G 2009/003; A47G 9/10;
A47G 9/1009; A47G 2009/1018; A47G
9/1045; A47G 9/1081; A47G 9/109;
A47G 2009/005; A47G 2009/006; A47G
9/02; A47G 9/0207; A47G 9/0215; A47G
9/0223; A47G 9/023; A47G 9/0238;
A47G 9/0246;

(Continued)

(56) **References Cited**

U.S. PATENT DOCUMENTS

5,020,177 A * 6/1991 Etherington A47G 9/02
5/496
5,189,744 A * 3/1993 Roberts A47G 9/0246
5/497

(Continued)

Primary Examiner — Jennifer L Rempfer

(74) *Attorney, Agent, or Firm* — Ceres Patent & Technology, LLC; Mandy L. Tran

(57) **CLAIM**

We claim the ornamental design for a bed linen device, as shown and described.

DESCRIPTION

A portion of the disclosure of this patent document contains material that is subject to copyright protection. The copyright owner has no objection to the facsimile reproduction by anyone of the patent document or patent disclosure as it appears in the Patent and Trademark office, patent file or records, but otherwise reserves all copyright rights whatsoever.

FIG. 1 is a bottom perspective view of the invention in an inverse folded position.

FIG. 2 is a top perspective view of the invention in an inverse folded position.

FIG. 3 is a bottom perspective view of the invention in extended form.

FIG. 4 is a right side plan view of the invention in extended form.

FIG. 5 is a bottom plan view of the invention in extended form.

FIG. 6 is a front side plan view from the bottom side of the invention.

FIG. 7 is a left side plan view of the invention in extended form.

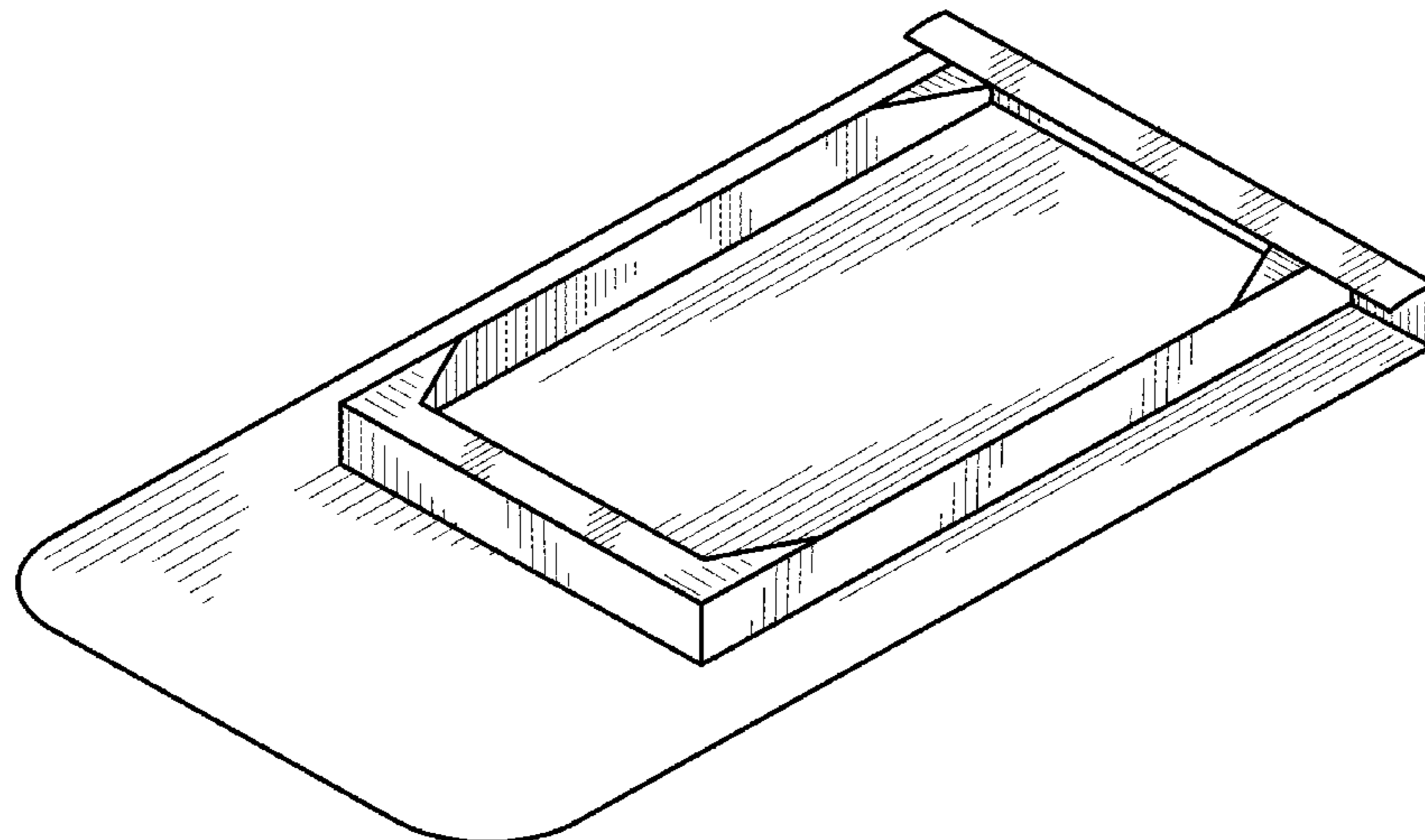
FIG. 8 is a top plan view of the invention in extended form.

FIG. 9 is a front side plan view from the top side of the invention.

FIG. 10 is a bottom plan perspective view of a second embodiment of the invention in extended form; and,

FIG. 11 is a bottom perspective view of a second embodiment of the invention in a forward folded position.

1 Claim, 6 Drawing Sheets



(58) **Field of Classification Search**

CPC A47G 9/0253; A47G 9/0261; A47G
2009/0269; A47G 11/002; A47G 21/165
See application file for complete search history.

(56) **References Cited**

U.S. PATENT DOCUMENTS

5,557,814 A * 9/1996 Cybulski A47G 9/02
5/485
5,884,349 A * 3/1999 Gretsinger A47C 21/022
5/494
6,108,836 A * 8/2000 Keene, III A47G 9/02
5/482
6,427,266 B2 * 8/2002 Talley-Williams A47G 9/02
5/482
7,100,223 B1 * 9/2006 Anthony A47G 9/02
5/482
7,140,053 B1 * 11/2006 Mangano A47G 9/02
5/493
8,214,949 B2 * 7/2012 Thompson A47G 9/02
5/485
8,393,025 B2 * 3/2013 Crispino A47C 21/028
5/494
D679,930 S * 4/2013 Thomas D6/603
D681,996 S * 5/2013 Jimenez-Hernandez D6/602
9,024,773 B2 * 5/2015 Shilts A47G 9/10
340/686.6
9,149,136 B2 * 10/2015 Mikesell A47G 9/02
D778,638 S * 2/2017 Williams D6/602
10,016,078 B1 * 7/2018 McDermott A47G 9/0238

* cited by examiner

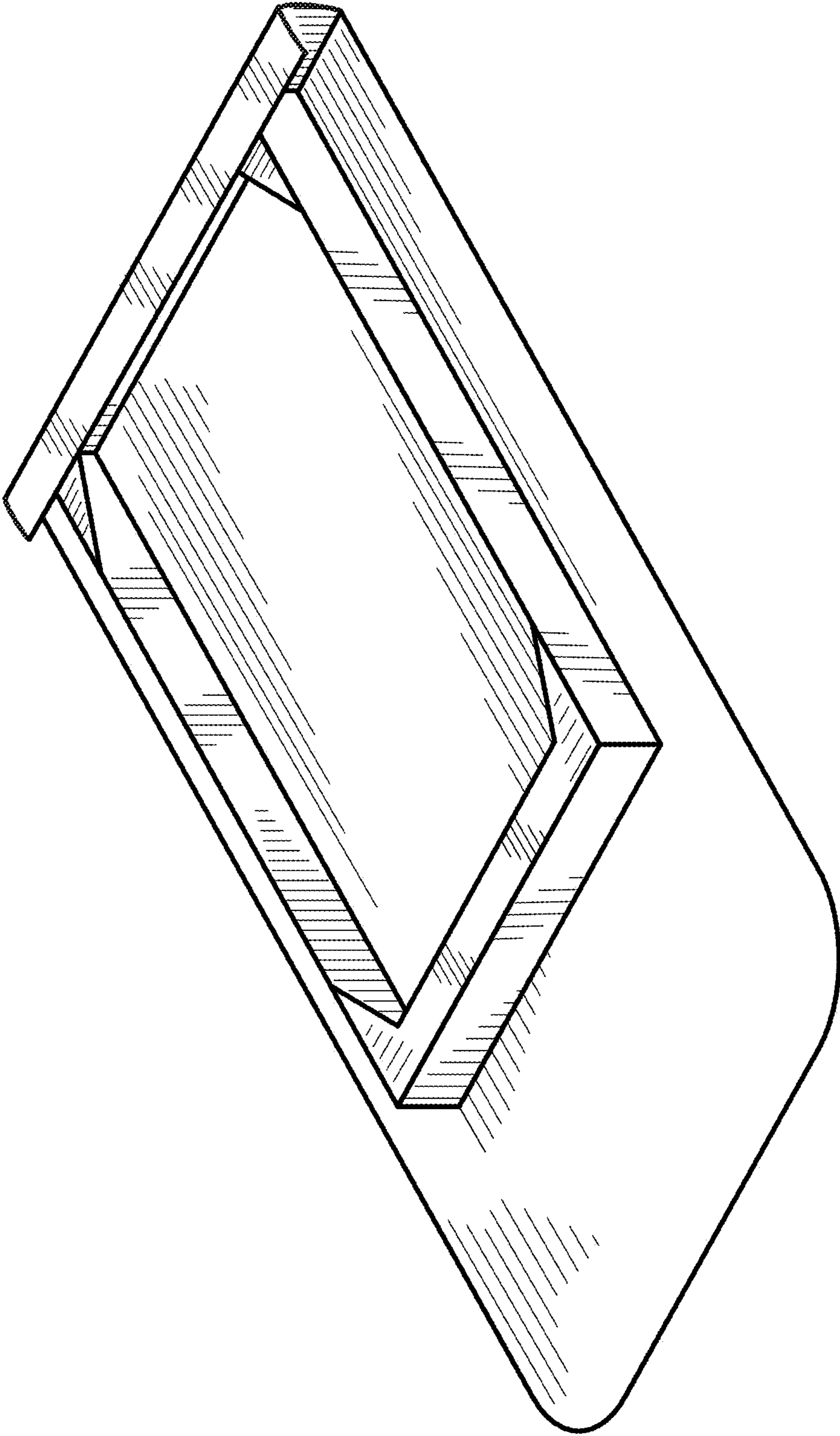


FIG. 1

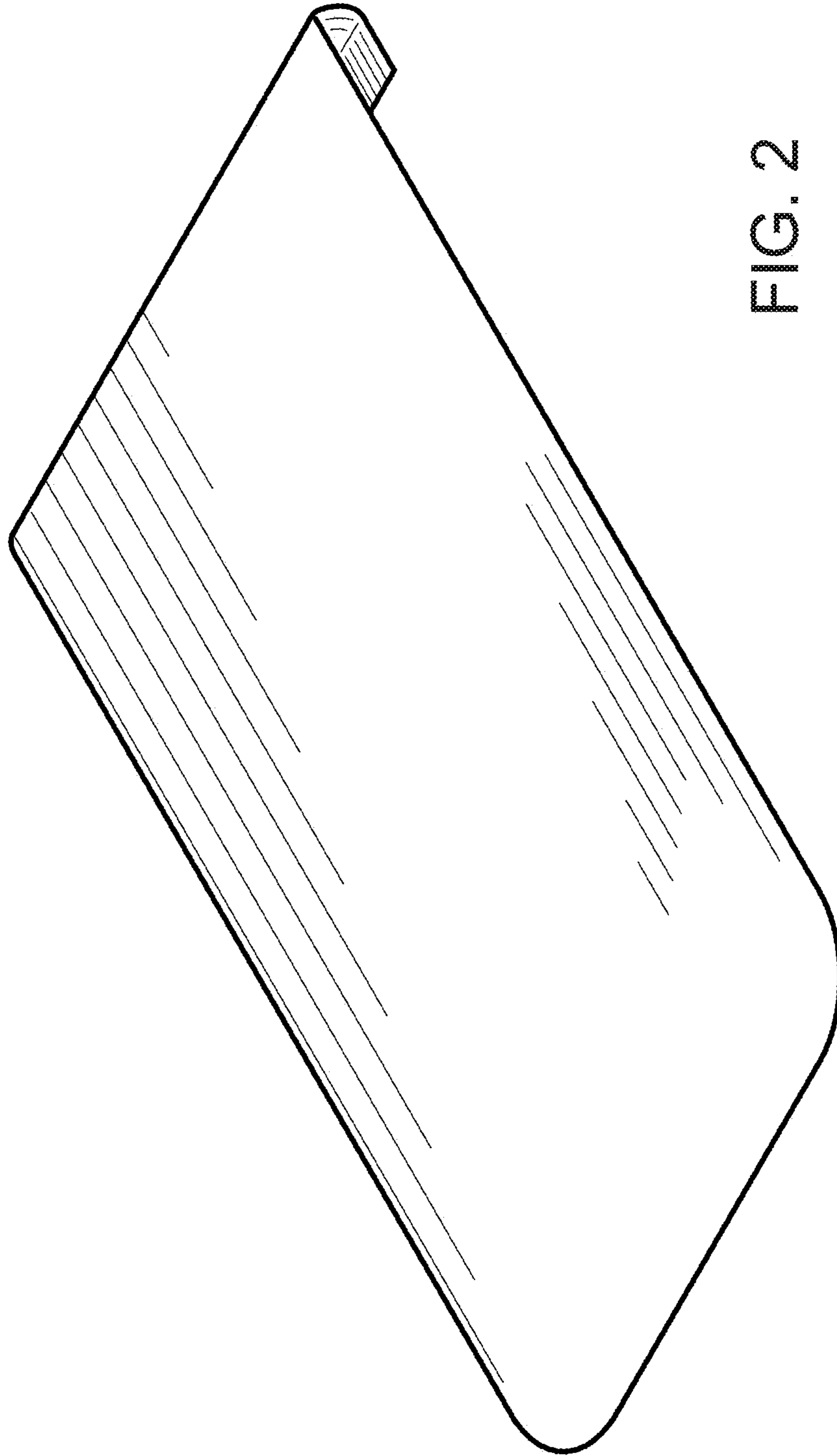


FIG. 2

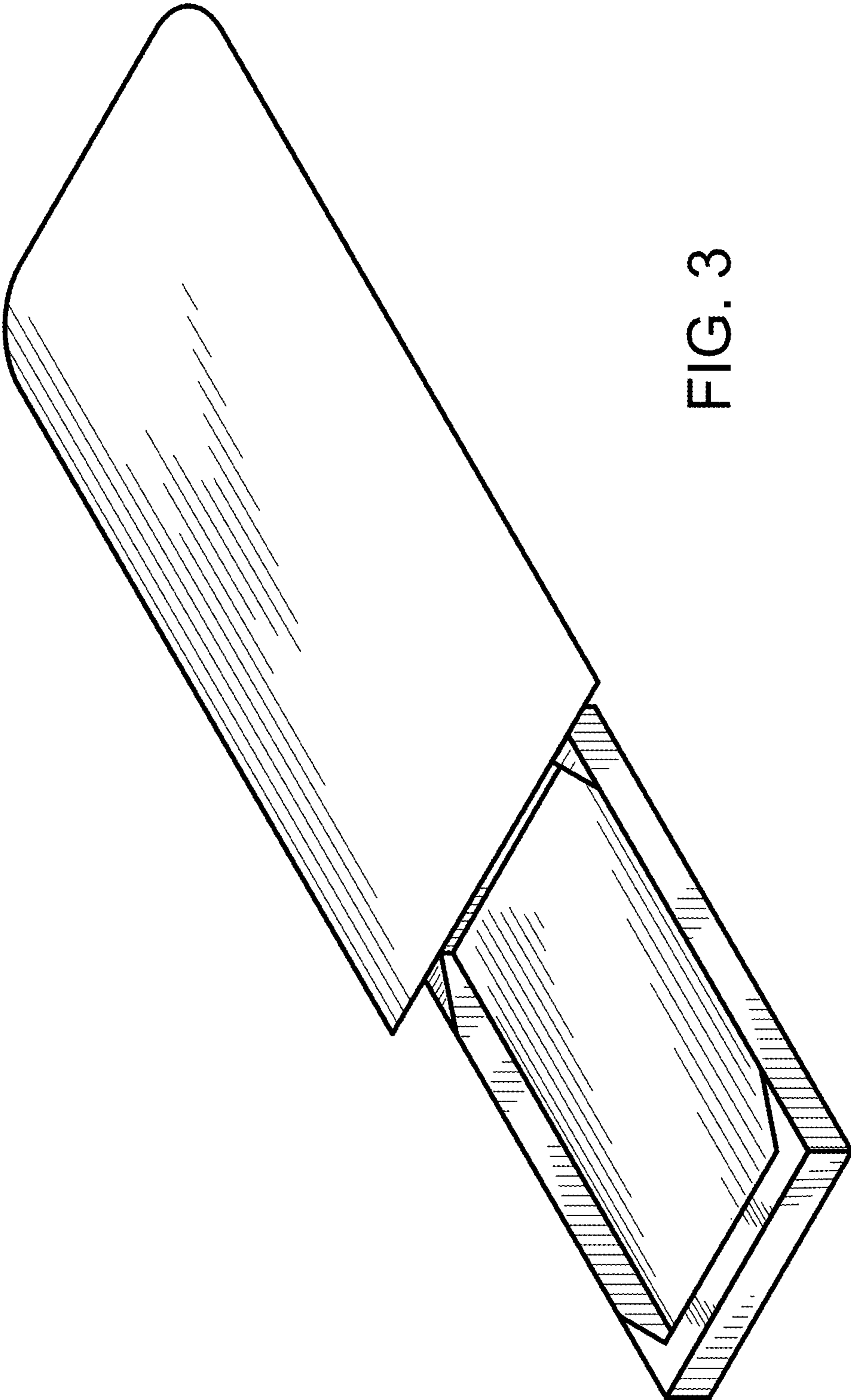


FIG. 3



FIG. 4

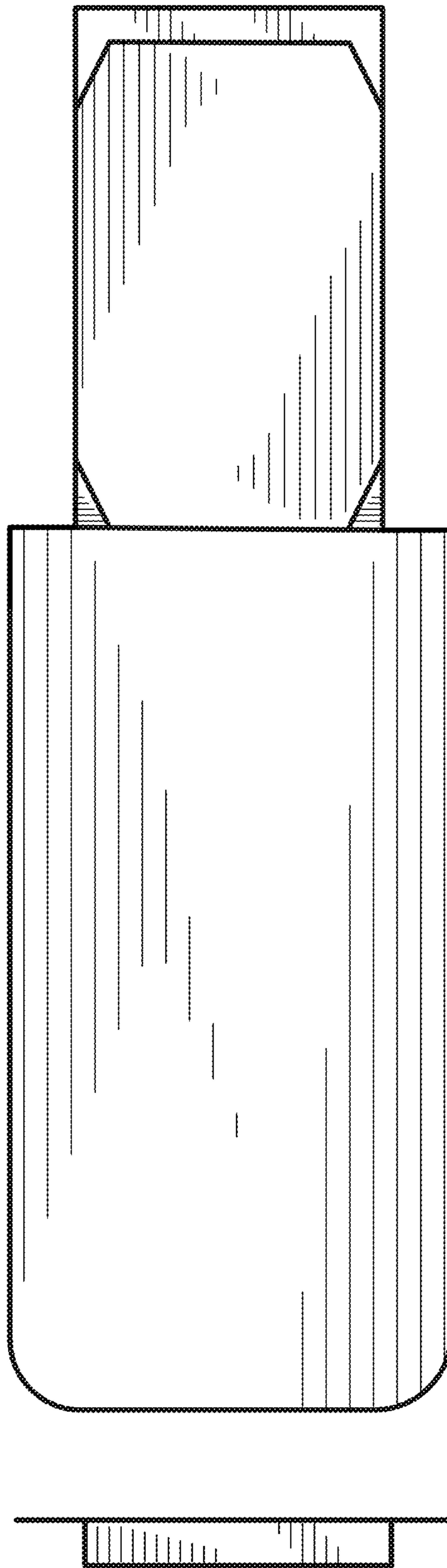


FIG. 5

FIG. 6

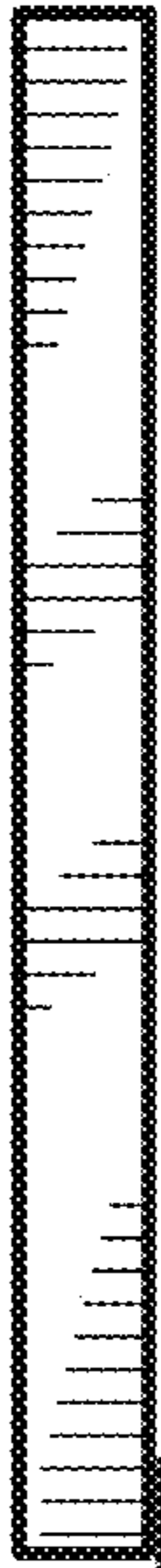


FIG. 7

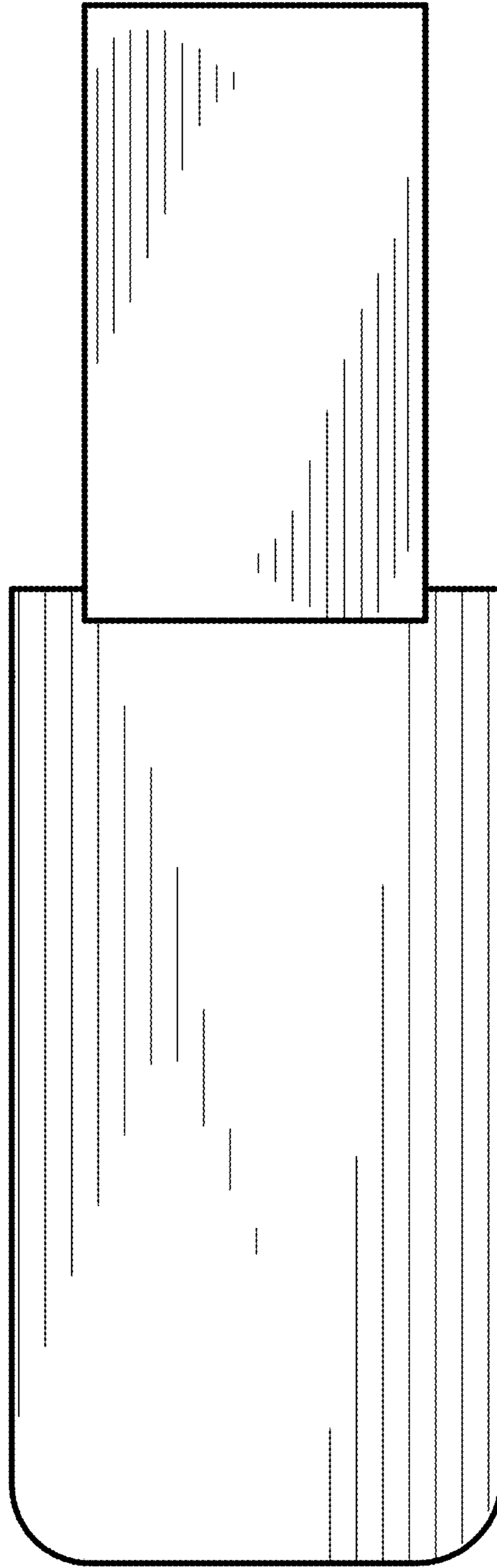


FIG. 8

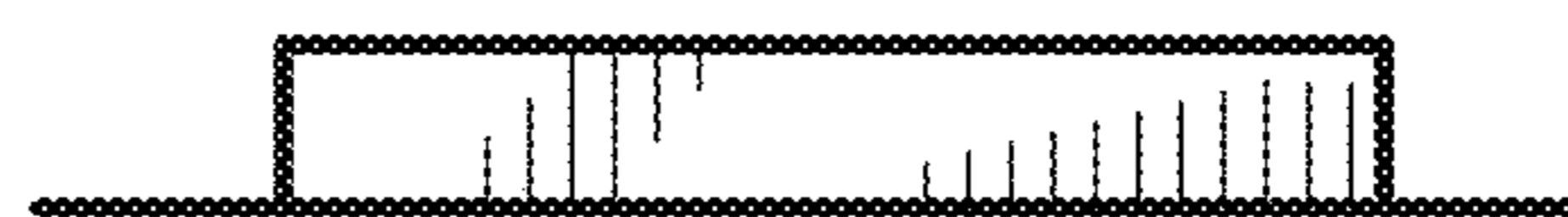


FIG. 9

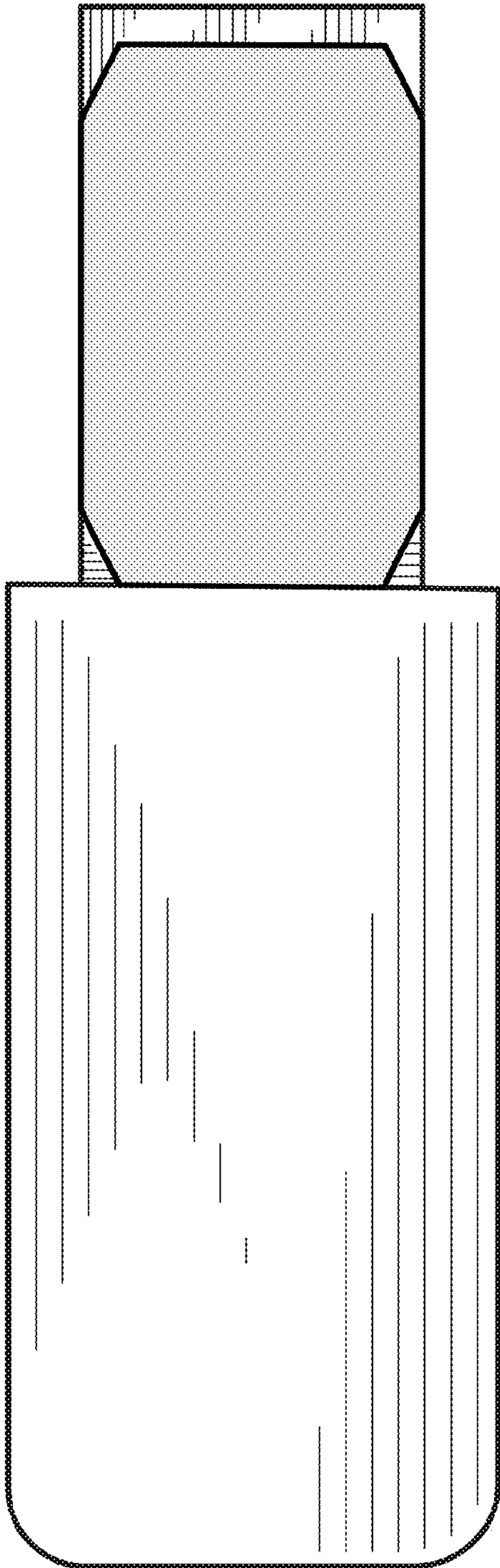


FIG. 10

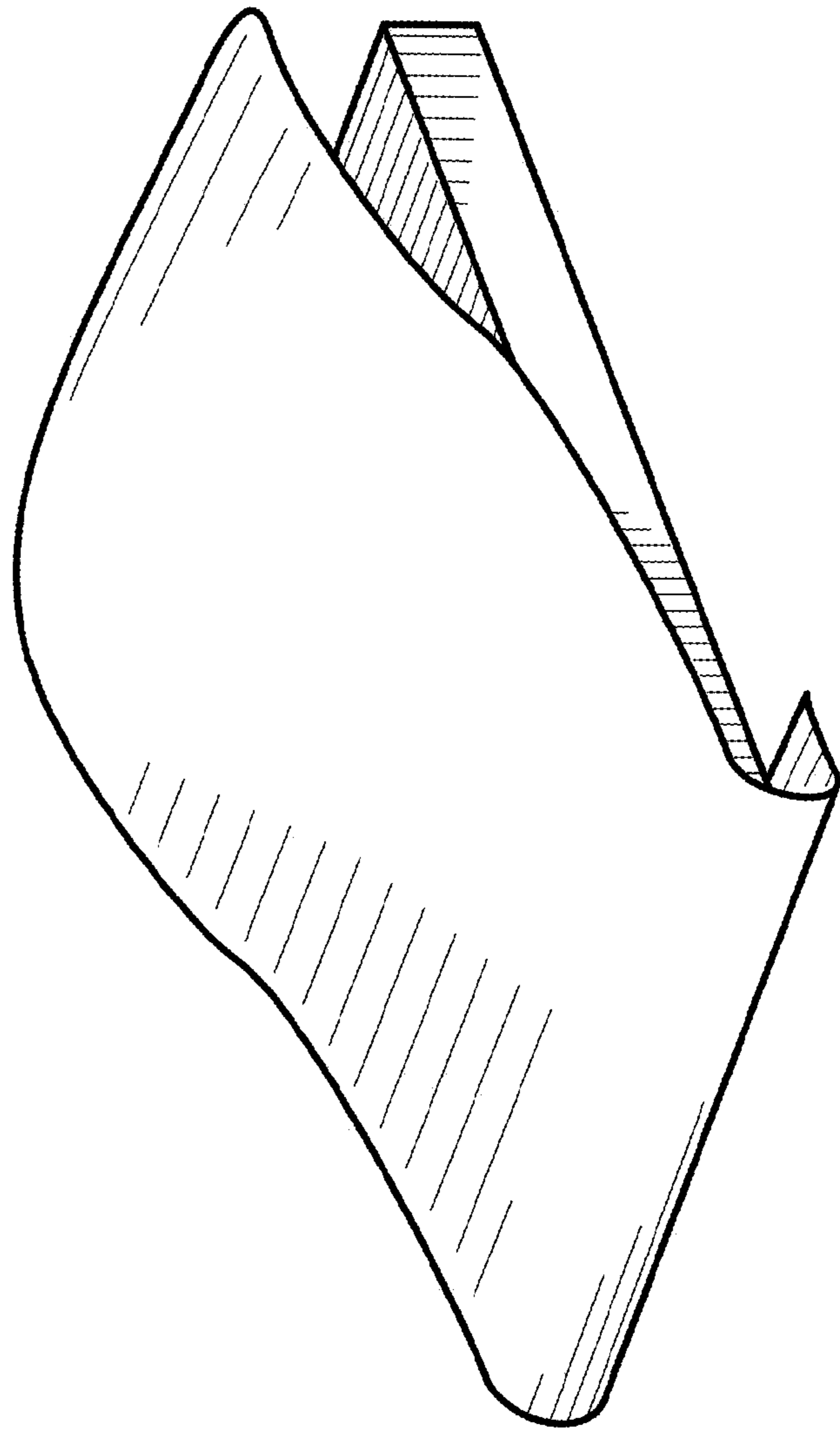


FIG. 11