



US00D917928S

(12) **United States Design Patent** (10) **Patent No.:** **US D917,928 S**
Miller (45) **Date of Patent:** **** May 4, 2021**

(54) **BODY PILLOW**
(71) Applicant: **Janine K. M. Miller**, Escondido, CA (US)
(72) Inventor: **Janine K. M. Miller**, Escondido, CA (US)
(**) Term: **15 Years**
(21) Appl. No.: **29/706,356**
(22) Filed: **Sep. 19, 2019**

5,978,990 A 11/1999 Akey
5,987,676 A 11/1999 Littleford et al.
6,052,848 A 4/2000 Kelly
6,145,508 A 11/2000 Seip
6,412,127 B1 7/2002 Cuddy
6,691,352 B2 2/2004 Wang
6,874,183 B1 4/2005 Taylor
7,353,552 B2 4/2008 Leach
7,513,001 B1 4/2009 Leach
7,578,013 B2 8/2009 Aikman
D613,105 S 4/2010 Chuang
7,793,371 B1 9/2010 Leach
8,074,310 B1 12/2011 Robbins

(Continued)

Related U.S. Application Data

(63) Continuation-in-part of application No. 16/121,314, filed on Sep. 4, 2018, now Pat. No. 10,827,843.
(51) **LOC (13) Cl.** **06-09**
(52) **U.S. Cl.**
USPC **D6/601**
(58) **Field of Classification Search**
USPC D6/595-601, 604, 606; D24/183, 190;
D21/803, 809; D2/501
CPC A47C 20/00; A47C 20/021; A47C 7/742;
A47C 7/021; A47D 15/001; A47D
15/008; A47G 9/00; A47G 9/10; B62J
1/26
See application file for complete search history.

Primary Examiner — Jennifer L Rempfer
(74) *Attorney, Agent, or Firm* — Perkins Coie LLP; Colin Fowler

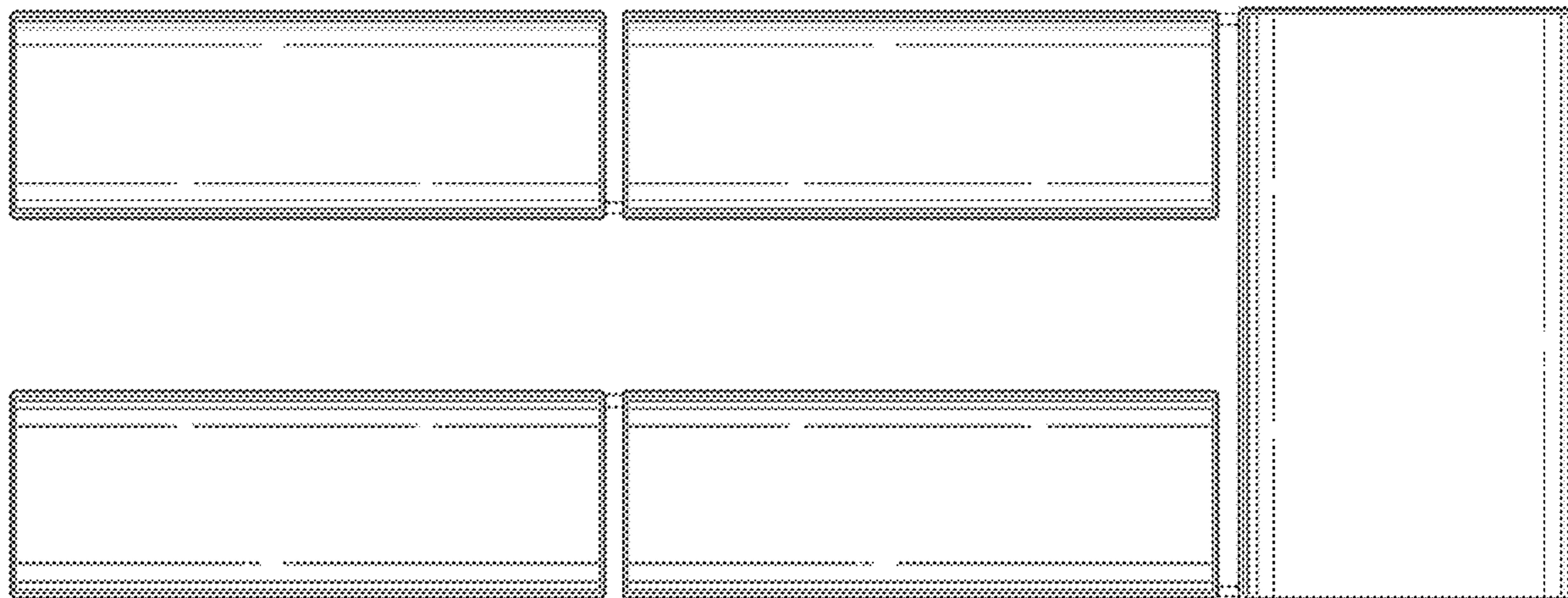
(57) **CLAIM**

The ornamental design for a body pillow, as shown and described.

DESCRIPTION

FIG. 1 is a top view of the body pillow;
FIG. 2 is a perspective, back view of the body pillow;
FIG. 3 is a back view of the body pillow;
FIG. 4 is a right view of the body pillow with the side arm and leg pillows extended for use;
FIG. 5 is a left view of the body pillow with the side arm and leg pillows extended for use;
FIG. 6 is a front view the body pillow;
FIG. 7 is a top view of the body pillow with the arm and leg pillows of one side wrapped over and around the head pillow;
FIG. 8 is a top view of the body pillow with the arm and leg pillows of both sides wrapped over and around the head pillow; and,
FIG. 9 is a bottom view of the body pillow.
The broken lines are illustrative of environmental structure only and form no part of the claimed design.

1 Claim, 4 Drawing Sheets



(56)

References Cited

U.S. PATENT DOCUMENTS

D675,855 S 2/2013 Reeves
8,419,128 B1 4/2013 Leach
8,726,421 B2 * 5/2014 Alvarez A41D 13/0512
2/207
8,973,191 B1 3/2015 Kvitek
9,021,635 B1 5/2015 Leach
9,226,565 B1 1/2016 Martin
9,629,487 B1 4/2017 Kvitek
D836,287 S * 12/2018 Melamed D2/501
10,390,623 B2 * 8/2019 Konigsberg A47G 9/066
D899,139 S * 10/2020 Liu D6/601
10,827,843 B2 * 11/2020 Miller A47G 9/1036
2004/0226096 A1 11/2004 Davis
2008/0028529 A1 2/2008 Abell
2016/0037946 A1 2/2016 Melcher et al.

* cited by examiner

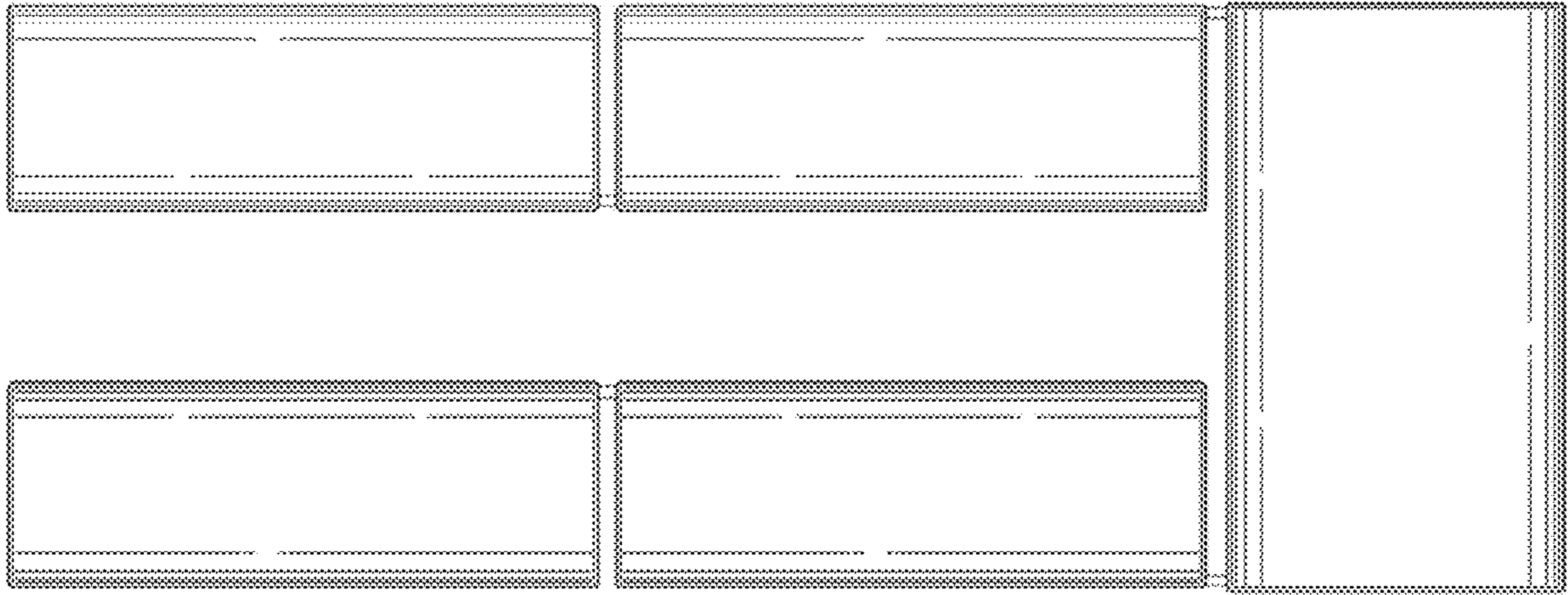


FIG. 1

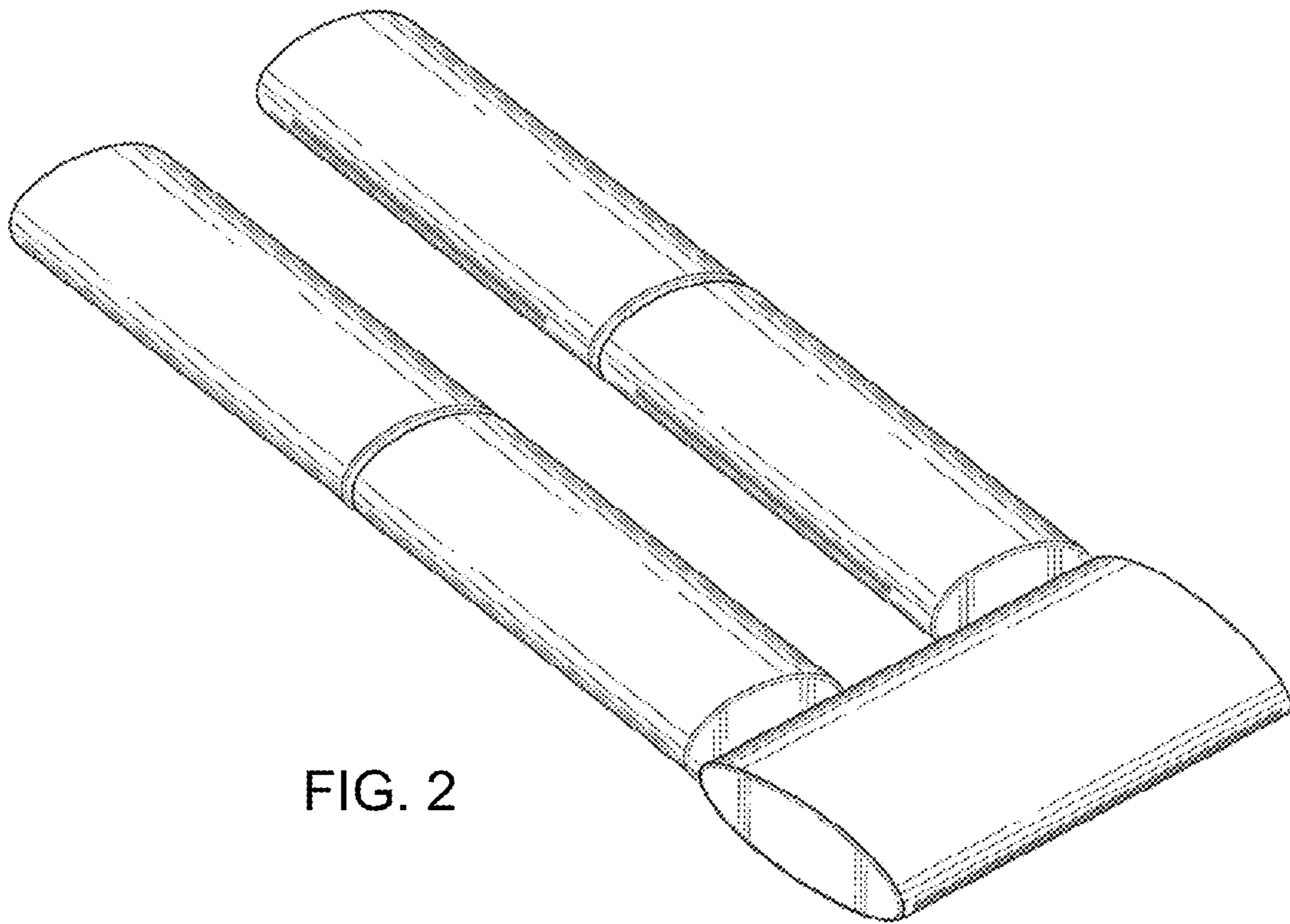


FIG. 2

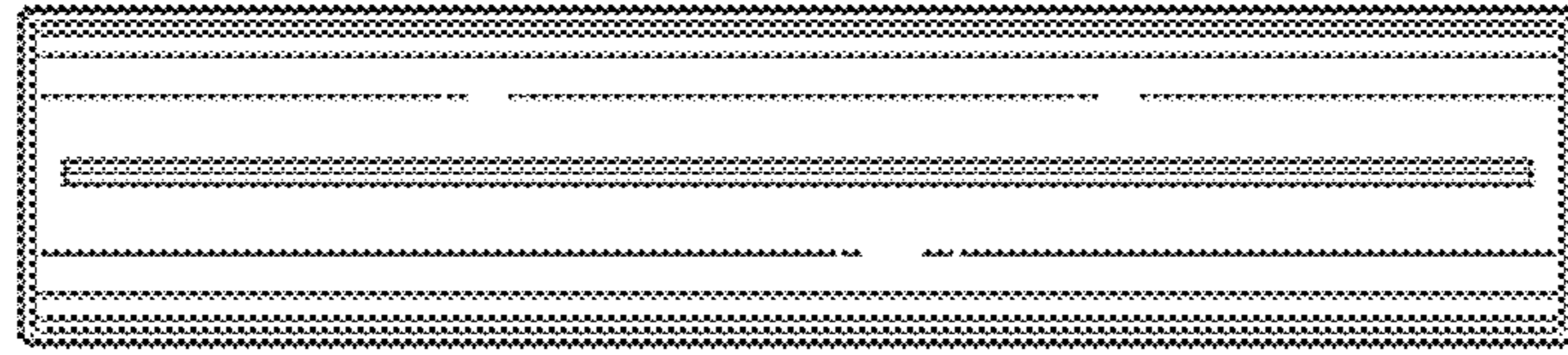


FIG. 3

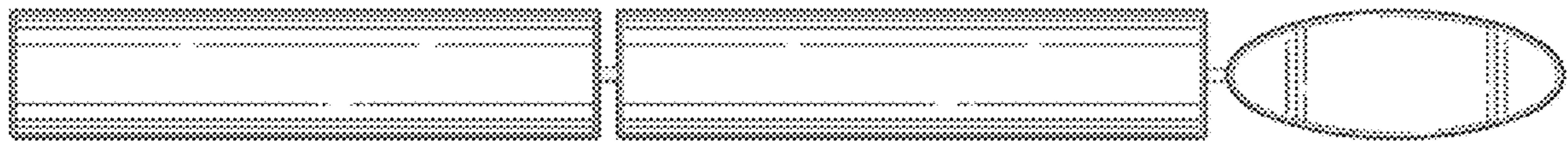


FIG. 4

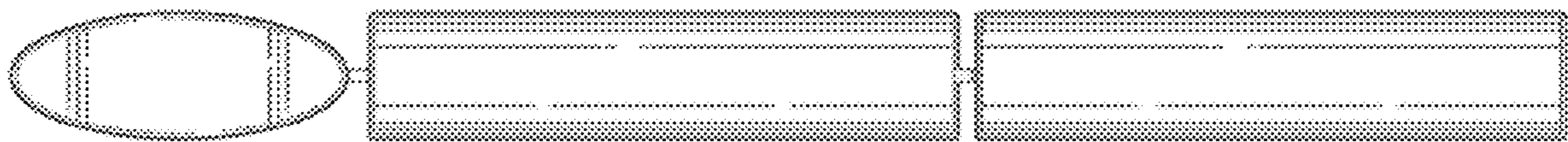


FIG. 5

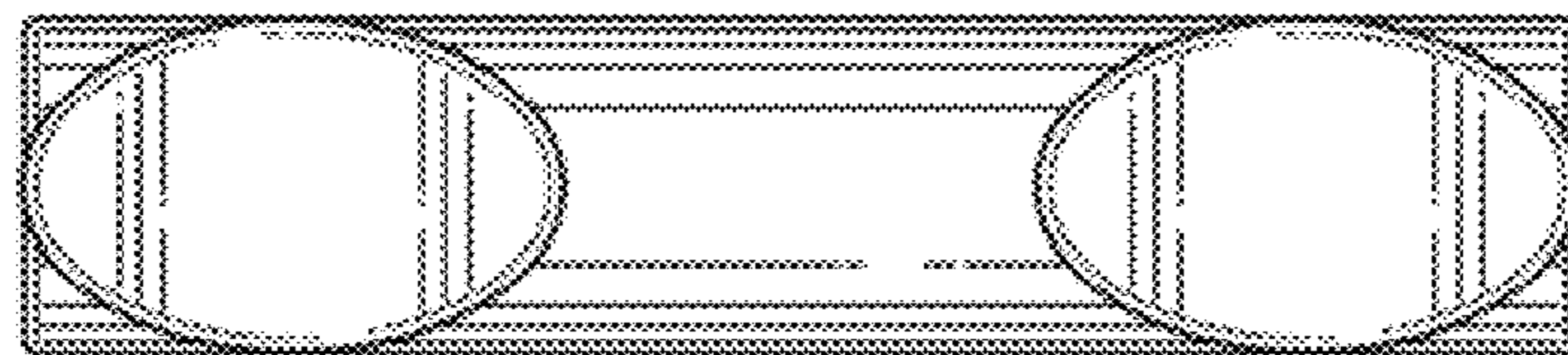


FIG. 6

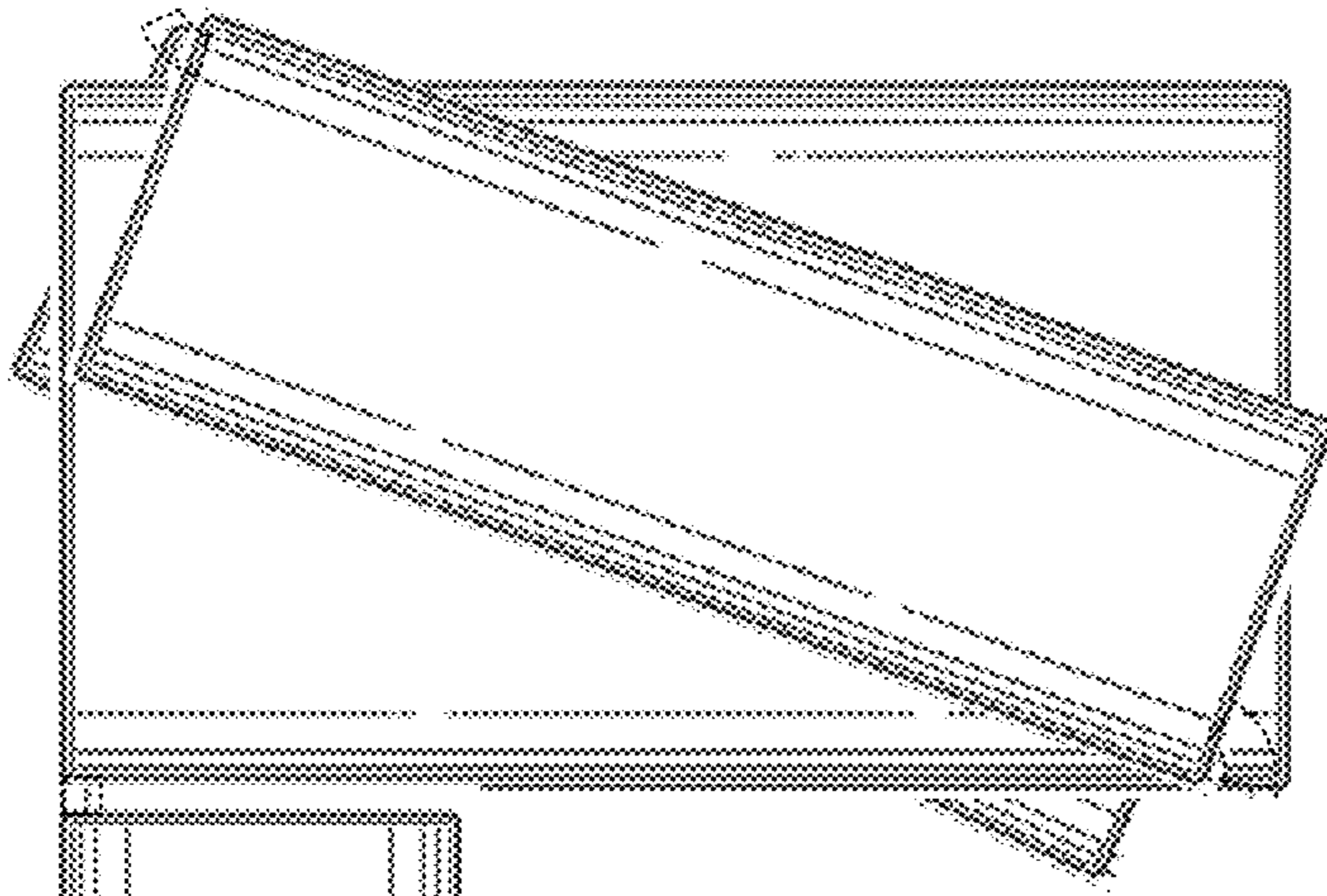


FIG. 7

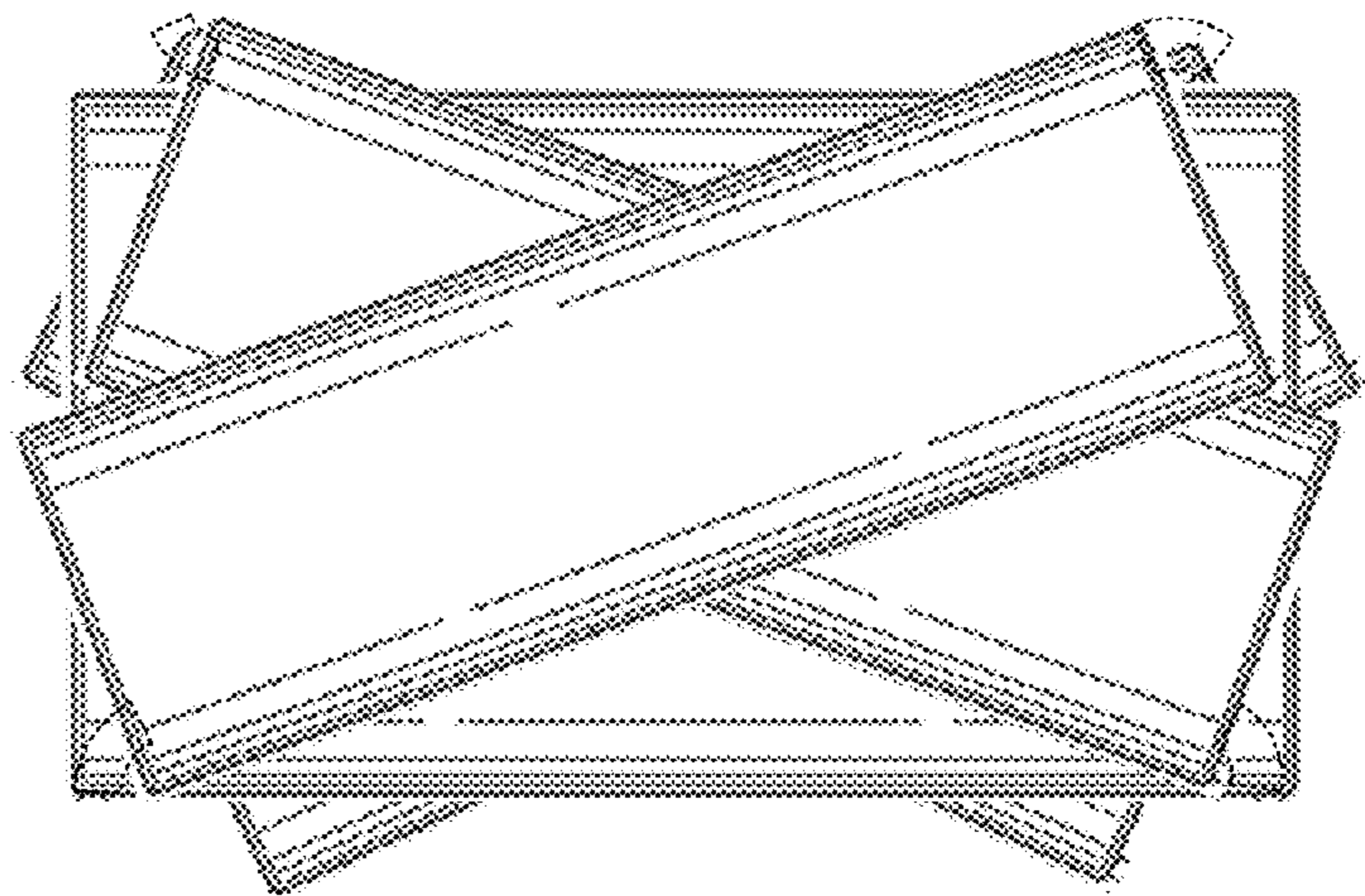


FIG. 8

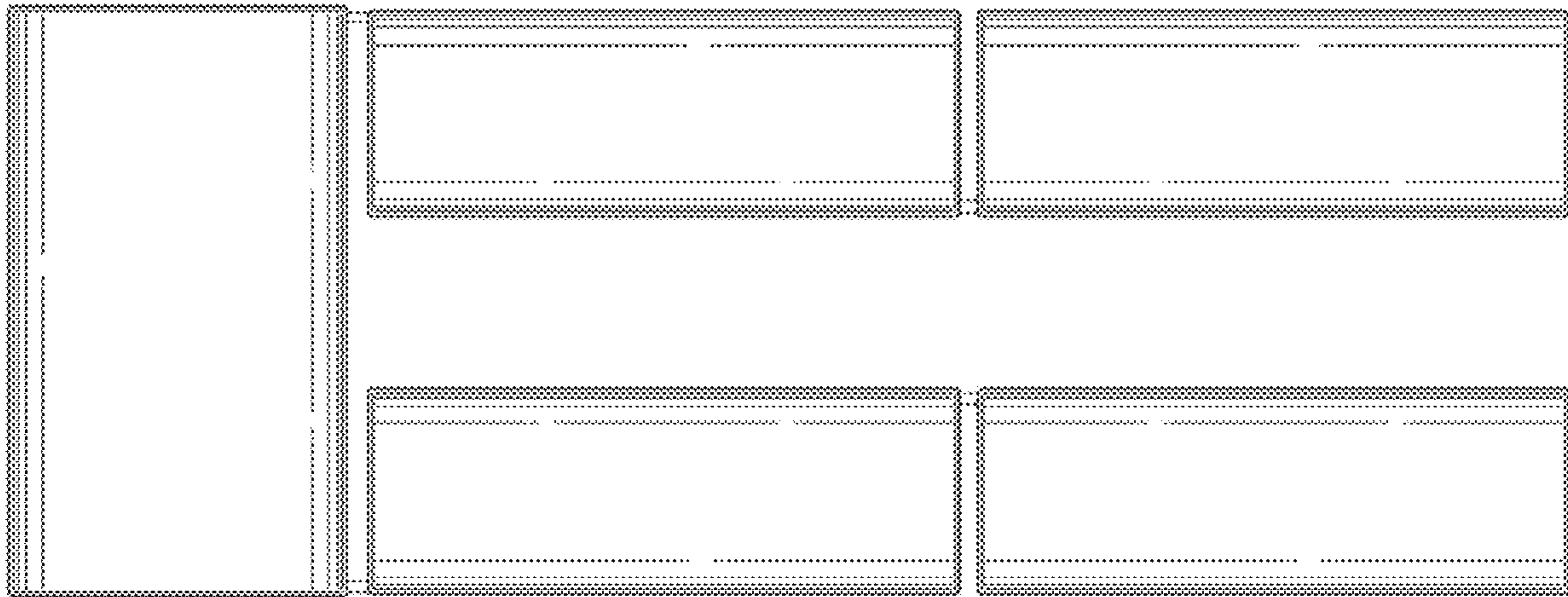


FIG. 9