



US00D917926S

(12) **United States Design Patent** (10) **Patent No.:** **US D917,926 S**
Pearce et al. (45) **Date of Patent:** **** May 4, 2021**

(54) **PILLOW**
(71) Applicant: **Purple Innovation, LLC**, Alpine, UT (US)
(72) Inventors: **Tony M. Pearce**, Alpine, UT (US); **Russell Whatcott**, Eagle Mountain, UT (US)
(73) Assignee: **Purple Innovation, LLC**, Lehi, UT (US)

D308,453 S * 6/1990 Elrod D6/596
D322,533 S * 12/1991 Hudson D6/601
5,134,735 A * 8/1992 Rose A47C 27/146
5/730
D352,858 S * 11/1994 Farley D6/382
(Continued)

FOREIGN PATENT DOCUMENTS

CN 1615771 A 5/2005
CN 201097890 Y 8/2008
(Continued)

(**) Term: **15 Years**

OTHER PUBLICATIONS

(21) Appl. No.: **29/676,858**

Chinese National Intellectual Property Administration, "First Office Action," Chinese application No. CN201780005390.3, dated Sep. 29, 2019.

(22) Filed: **Jan. 15, 2019**

(Continued)

Related U.S. Application Data

(63) Continuation-in-part of application No. 15/333,486, filed on Oct. 25, 2016.

(51) **LOC (13) Cl.** **06-09**

(52) **U.S. Cl.**
USPC **D6/601**

(58) **Field of Classification Search**
USPC D6/582-583, 587-592, 595-609, D6/617-622; D21/803-809; D24/183
CPC A47G 9/00; A47G 2009/001; A47G 2009/002; A47G 2009/003; A47G 9/10; A47G 9/1009; A47G 2009/1018; A47G 9/1045; A47G 9/1081; A47G 9/109
See application file for complete search history.

Primary Examiner — Jennifer L Rempfer
(74) *Attorney, Agent, or Firm* — Dentons Durham Jones Pinegar

(57) **CLAIM**

The ornamental design for a pillow, as shown and described.

DESCRIPTION

FIG. 1 is a perspective view of a design for a pillow;
FIG. 2 is a first side view of a length of the pillow shown in FIG. 1;
FIG. 3 is a second side view of a width of the pillow shown in FIG. 1;
FIG. 4 is a top view of the pillow shown in FIG. 1;
FIG. 5 is a bottom view of the pillow shown in FIG. 1; and
FIG. 6 is a perspective bottom view of the pillow shown in FIG. 1.

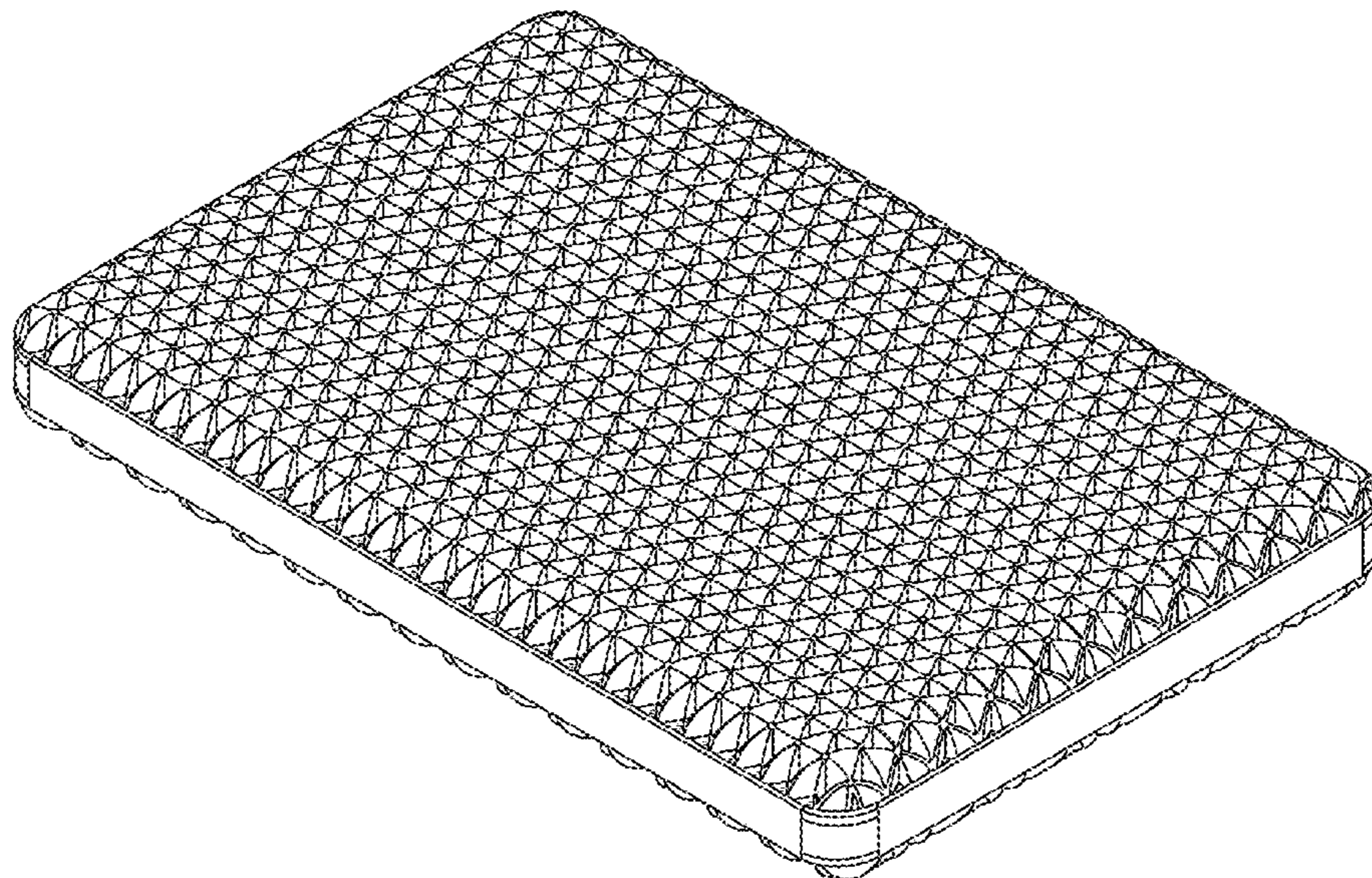
The broken lines illustrate features of the pillow that form no part of the claimed design.

1 Claim, 5 Drawing Sheets

(56) **References Cited**

U.S. PATENT DOCUMENTS

2,958,885 A * 11/1960 Donney A47L 13/03
401/196
4,369,284 A 1/1983 Chen
4,603,445 A * 8/1986 Spann A47C 27/146
428/131



(56)

References Cited

U.S. PATENT DOCUMENTS

D355,322 S * 2/1995 Ackley 5/736
 D372,158 S * 7/1996 Bonaddio 5/636
 D375,863 S * 11/1996 Bigolin D6/596
 5,749,111 A 5/1998 Pearce
 D395,780 S * 7/1998 Denney D6/596
 D414,976 S * 10/1999 Su D6/596
 5,992,106 A * 11/1999 Carling E01C 5/20
 52/177
 5,994,450 A 11/1999 Pearce
 6,026,527 A 2/2000 Pearce
 6,108,835 A * 8/2000 Hwang A47C 27/084
 5/420
 D453,880 S * 2/2002 Cheynet D5/47
 6,413,458 B1 7/2002 Pearce
 D517,848 S * 3/2006 Contreras D6/596
 7,060,213 B2 6/2006 Pearce
 D527,564 S * 9/2006 Contreras D6/606
 7,964,664 B2 6/2011 Pearce
 D692,674 S * 11/2013 Clerici D5/63
 D710,116 S * 8/2014 Blackford D5/58
 8,793,821 B2 * 8/2014 Fowkes A47K 3/002
 4/578.1
 8,919,750 B2 12/2014 Pearce et al.
 8,932,692 B2 1/2015 Pearce
 D731,820 S * 6/2015 Lechantre D6/605
 9,051,169 B2 6/2015 Pearce et al.
 9,265,354 B2 * 2/2016 Mason A47C 27/148
 D758,101 S * 6/2016 Mason D6/601
 D760,502 S * 7/2016 Oh D32/40
 D775,864 S * 1/2017 Bertoncetto D6/605
 D790,254 S * 6/2017 Brown D6/601
 D792,127 S * 7/2017 Roberts D6/606
 D799,858 S * 10/2017 Pearce D6/605
 D804,856 S * 12/2017 Desodt D6/606
 D804,859 S * 12/2017 Desodt D6/606
 9,907,343 B2 * 3/2018 Lacey A41D 13/015
 D840,724 S * 2/2019 Dowd D6/601
 10,206,512 B2 * 2/2019 Kim A47B 3/10
 D845,677 S * 4/2019 Desodt D6/606
 D846,310 S * 4/2019 Klobuchar D6/596

D864,613 S * 10/2019 Pearce D6/605
 2002/0078507 A1 6/2002 Pearce
 2004/0187210 A1 9/2004 Hickman
 2005/0172410 A1 8/2005 Huang
 2007/0061978 A1 3/2007 Losio
 2008/0244832 A1 * 10/2008 Kuo A47C 7/021
 5/638
 2010/0227091 A1 9/2010 Pearce
 2012/0131752 A1 * 5/2012 Mason A47C 27/146
 5/652.1
 2013/0043628 A1 2/2013 Pearce et al.
 2013/0167302 A1 7/2013 Pearce
 2014/0259426 A1 9/2014 Pearce
 2015/0000042 A1 1/2015 Randall
 2016/0157629 A1 * 6/2016 Poppe A47C 27/144
 5/638
 2016/0166092 A1 * 6/2016 Alletto, Jr. A47G 9/1036
 5/638
 2017/0020312 A1 1/2017 Davis et al.
 2018/0140116 A1 * 5/2018 Werner A47G 9/0253

FOREIGN PATENT DOCUMENTS

CN 104433501 A 3/2015
 JP 2003-61802 A 3/2003
 JP 2014-533550 A 12/2014
 JP 2015-139509 A 8/2015
 KR 20-0315096 9/2003
 KR 1020150009457 A 1/2015
 KR 1020160036199 A 4/2016
 TW 498549 U 4/2015

OTHER PUBLICATIONS

Japanese Patent Office, "Reasons for Rejection", for application No. JP2019-514114, dated Jul. 30, 2019.
 Taiwanese Office Action and Search Report, Taiwanese Application No. 106132218, May 7, 2018, 24 pages with English translation.
 International Search Report and Written Opinion, International Application No. PCT/US2017/052421, Jan. 18, 2018, 11 pages.

* cited by examiner

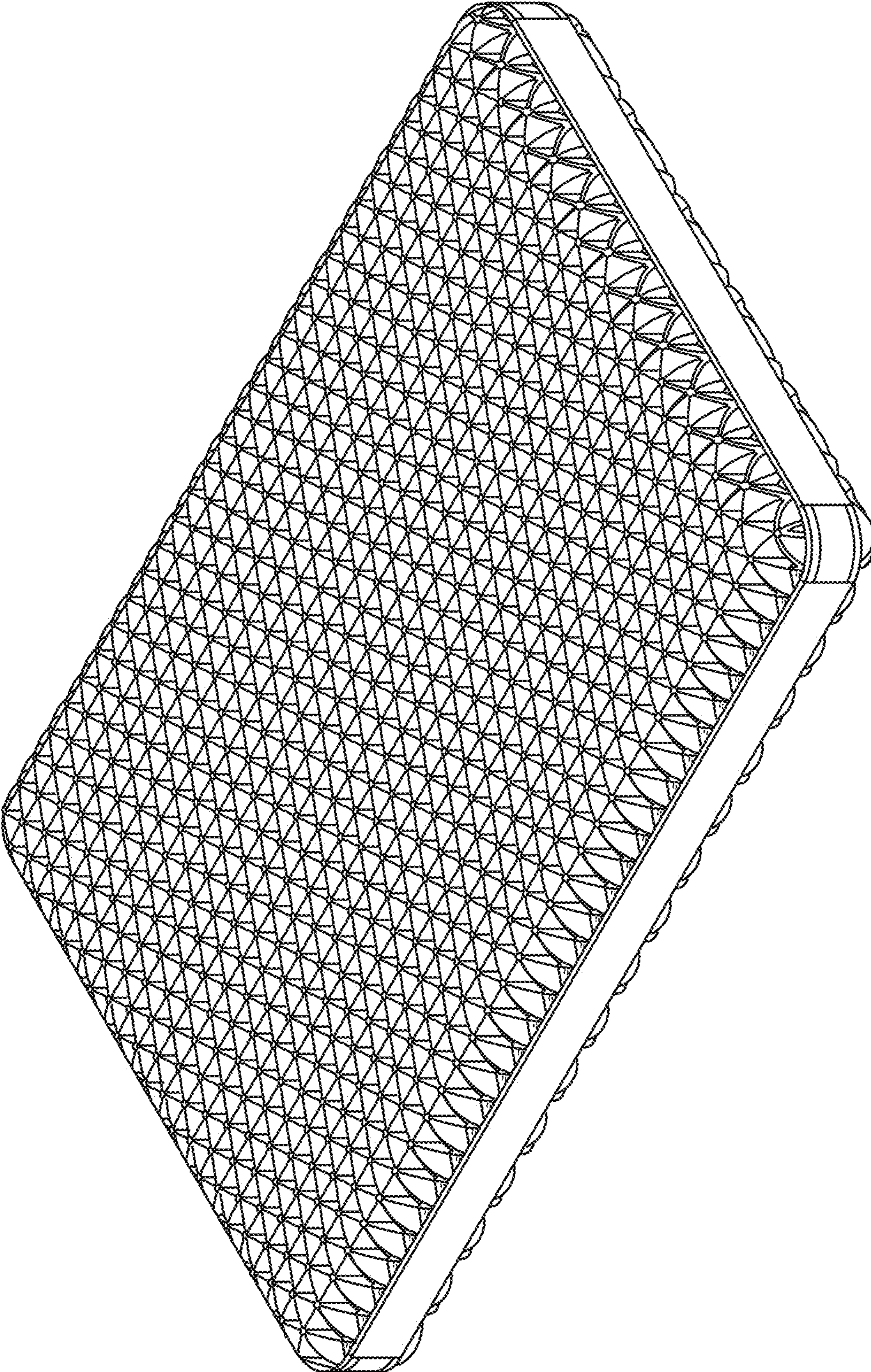


FIG. 1

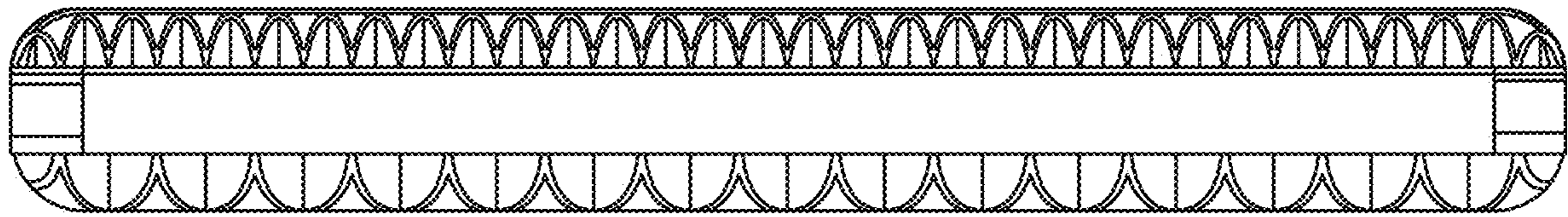


FIG. 2

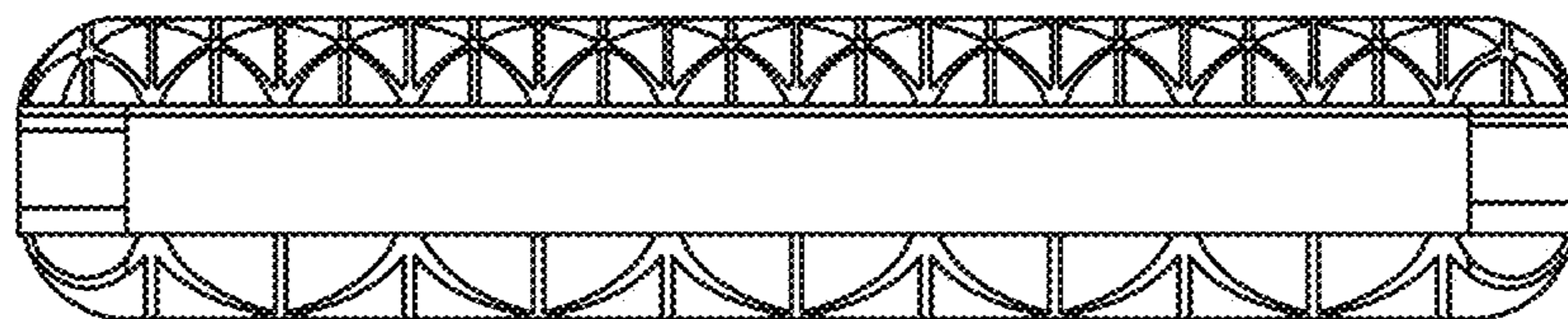


FIG. 3

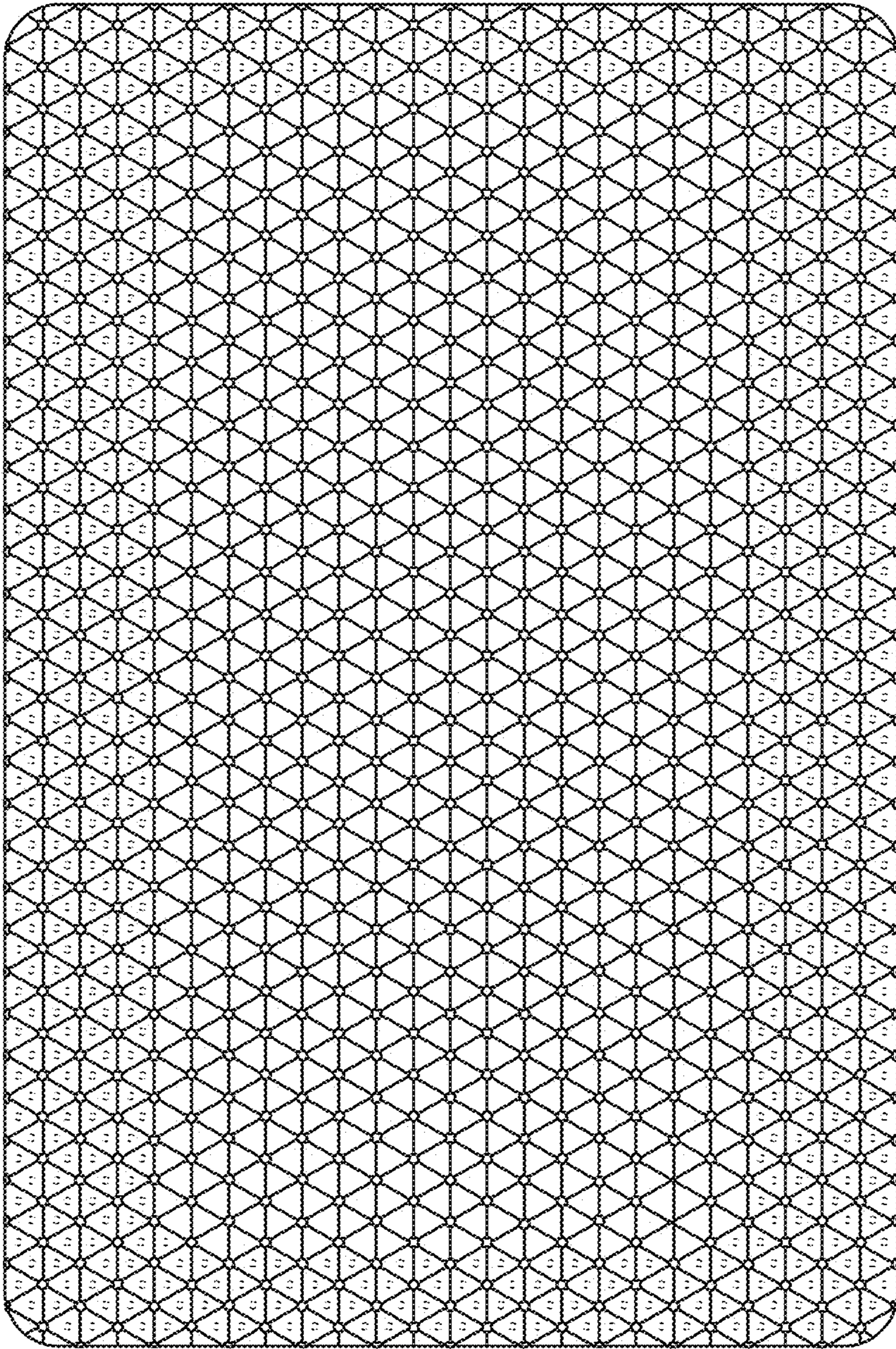


FIG. 4

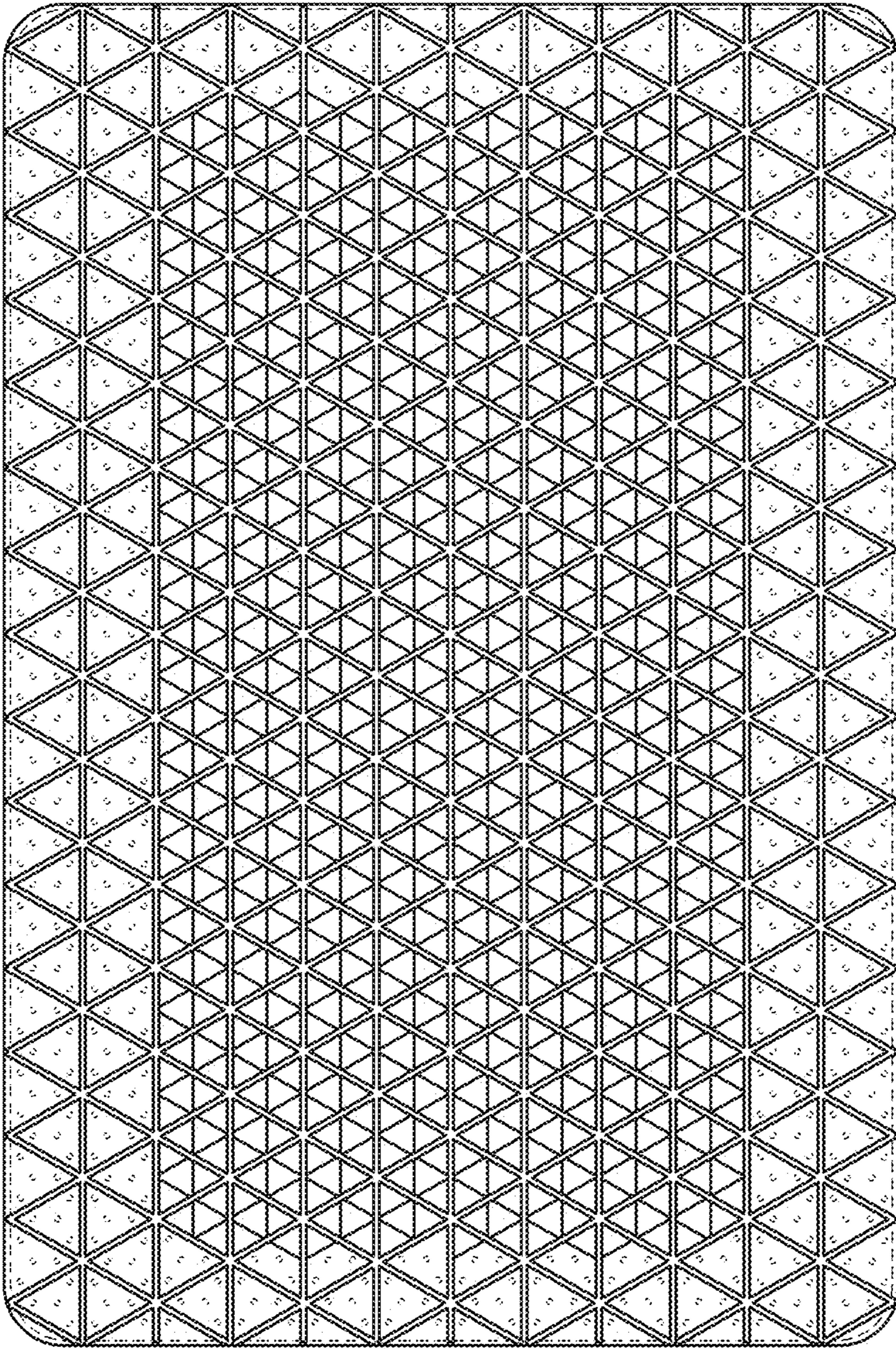


FIG. 5

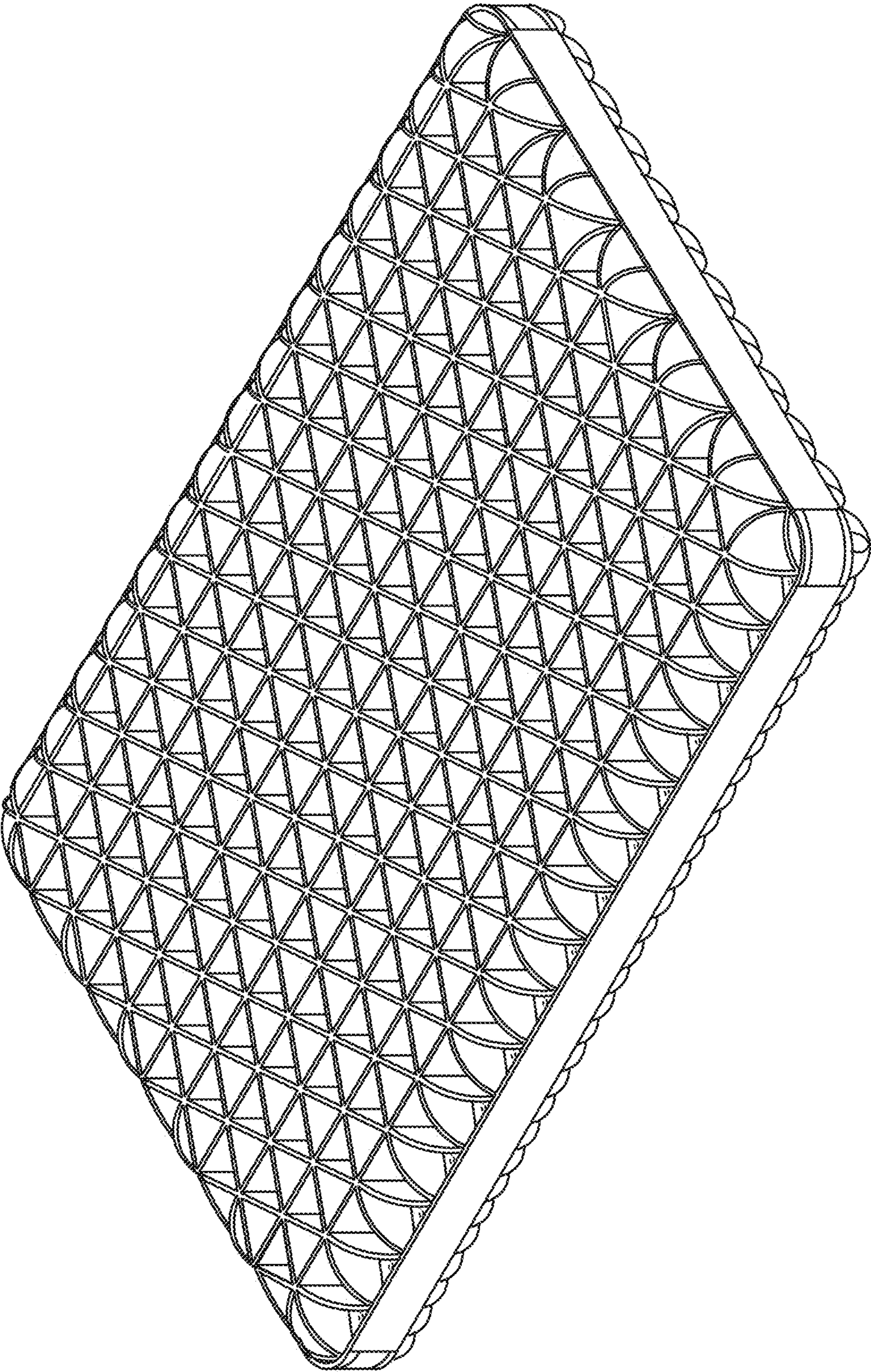


FIG. 6