



US00D917925S

(12) **United States Design Patent**  
**Wendling**

(10) **Patent No.:** **US D917,925 S**

(45) **Date of Patent:** **\*\* May 4, 2021**

(54) **CORNER DEVICE FOR A FLOOR COVERING**

(71) Applicant: **Allan Wendling**, New Lothrop, MI (US)

(72) Inventor: **Allan Wendling**, New Lothrop, MI (US)

(\*\*) Term: **15 Years**

(21) Appl. No.: **29/723,487**

(22) Filed: **Feb. 7, 2020**

**Related U.S. Application Data**

(63) Continuation-in-part of application No. 29/705,828, filed on Sep. 16, 2019.

(51) **LOC (13) Cl.** ..... **06-11**

(52) **U.S. Cl.**  
USPC ..... **D6/582**

(58) **Field of Classification Search**  
USPC ..... D6/582-589, 591, 592, 609, 613, 614;  
D12/203, 608; D19/9, 10, 37, 113;  
(Continued)

(56) **References Cited**

**U.S. PATENT DOCUMENTS**

168,063 A 9/1875 Tayloe  
441,099 A 11/1890 Charles  
(Continued)

**FOREIGN PATENT DOCUMENTS**

GB 264447 A 2/1927  
GB 2282965 A 4/1995

**OTHER PUBLICATIONS**

NeverCurl's Best V Shape Design to Instantly Stops Rug Corner Curling by iPrimio. Amazon.com. Dec. 25, 2014. <<https://www.amazon.com/NeyerCurl-Instantly-Curling-floors-anti-slip/dp/B00PBQ7EA2/>>. Accessed on Apr. 30, 2019.

amazon.com/NeyerCurl-Instantly-Curling-floors-anti-slip/dp/B00PBQ7EA2/. Accessed on Apr. 30, 2019.

(Continued)

*Primary Examiner* — Kevin K Rudzinski

*Assistant Examiner* — Clare Ann Gannon

(74) *Attorney, Agent, or Firm* — Dinsmore & Shohl LLP

(57) **CLAIM**

The ornamental design for a corner device for a floor covering, as shown and described.

**DESCRIPTION**

FIG. 1 is a perspective view of a corner device for a floor covering showing the new design;

FIG. 2 is a top plan view of the corner device for a floor covering of FIG. 1;

FIG. 3 is a bottom plan view of the corner device for a floor covering of FIG. 1;

FIG. 4 is a left elevation view of the corner device for a floor covering of FIG. 1;

FIG. 5 is a right elevation view of the corner device for a floor covering of FIG. 1;

FIG. 6 is a front elevation view of the corner device for a floor covering of FIG. 1;

FIG. 7 is a rear elevation view of an opposite end of the corner device for a floor covering of FIG. 1;

FIG. 8 is a perspective view showing another embodiment of a corner device for a floor covering;

FIG. 9 is a top plan view of the corner device for a floor covering of FIG. 8;

FIG. 10 is a bottom plan view of the corner device for a floor covering of FIG. 8;

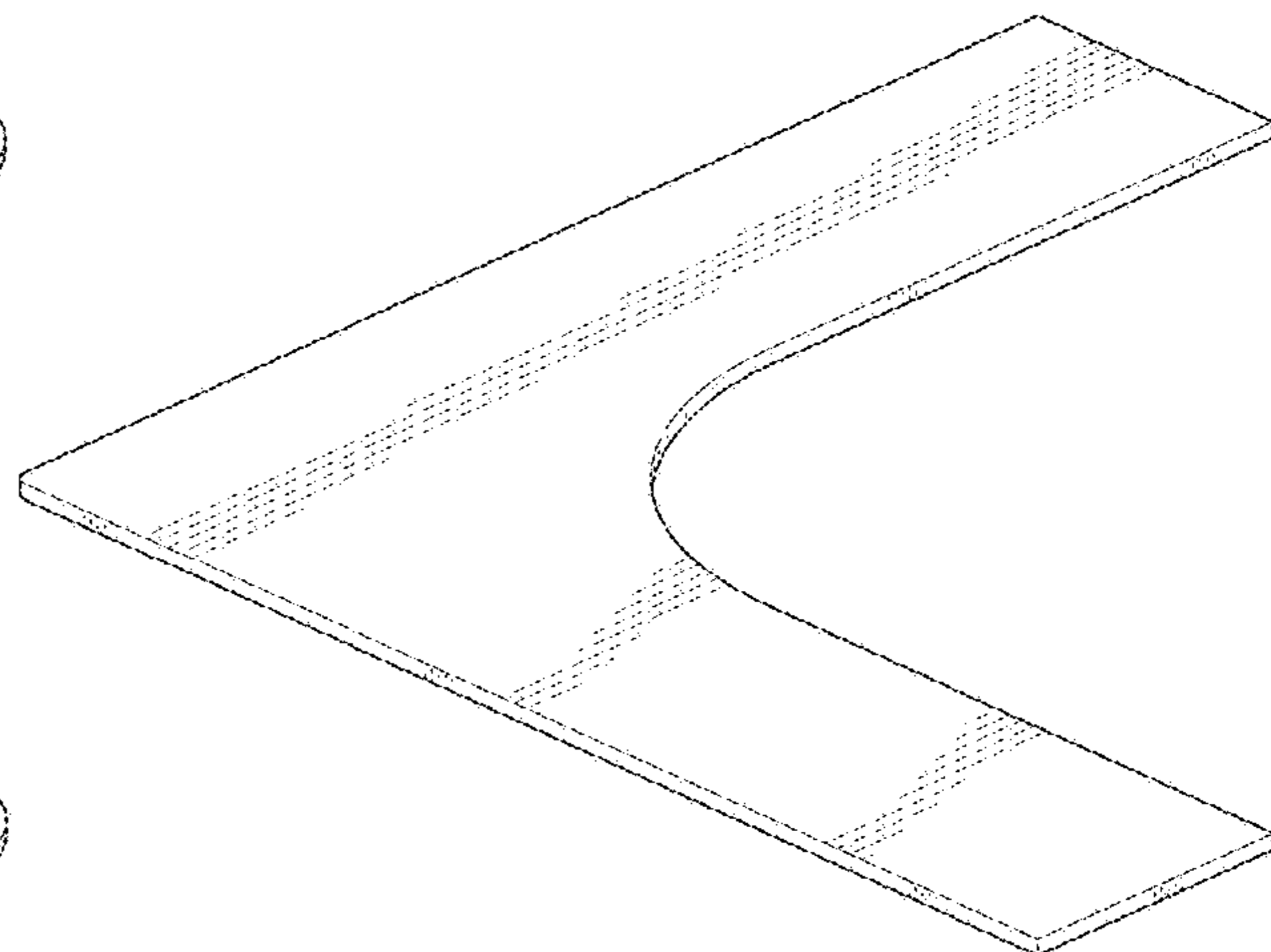
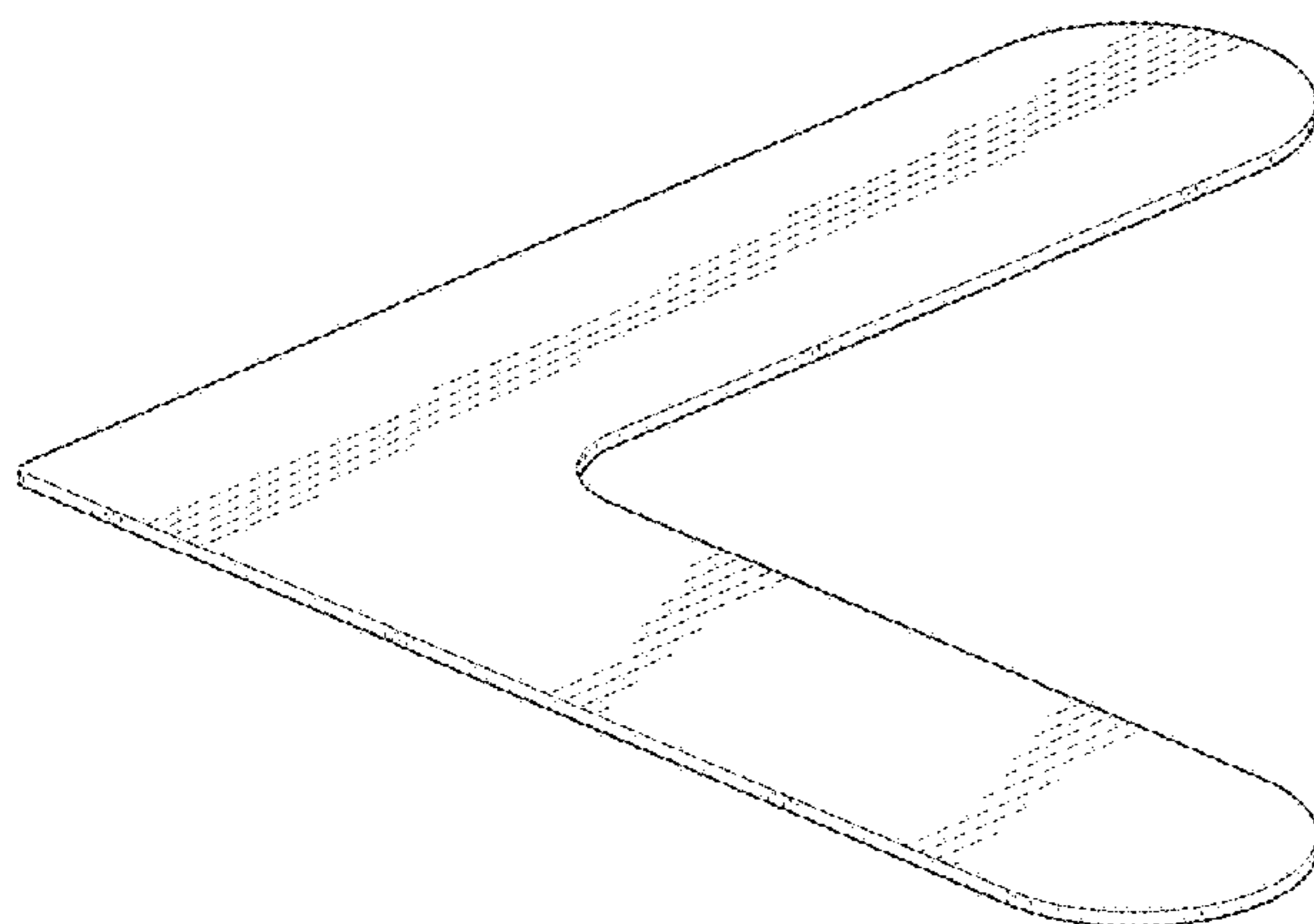
FIG. 11 is a left elevation view of the corner device for a floor covering of FIG. 8;

FIG. 12 is a right elevation view of the corner device for a floor covering of FIG. 8;

FIG. 13 is a front elevation view of an end of the corner device for a floor covering of FIG. 8; and,

FIG. 14 is a rear elevation view of an opposite end of the corner device for a floor covering of FIG. 8.

**1 Claim, 6 Drawing Sheets**



(58) **Field of Classification Search**

USPC ..... D21/686, 780; D23/261, 310, 361;  
 D25/138, 156, 157, 163; D30/161;  
 D32/57  
 CPC ..... A47G 27/02; A47G 27/0206; A47G  
 27/0212; A47G 27/0218; A47G 27/0225;  
 A47G 27/0231; A47G 27/0237; A47G  
 27/0275; A47G 27/0293; A47G 9/062;  
 A47K 3/002; A63B 6/00; A63B 21/4037;  
 E04F 2201/095; E04F 19/10; A47L  
 23/26; A47L 23/266

See application file for complete search history.

(56) **References Cited**

U.S. PATENT DOCUMENTS

632,911	A	9/1899	Berry	
882,859	A	3/1908	Ammerman	
922,703	A	5/1909	Knapp	
1,182,764	A	5/1916	Harral	
1,430,981	A	10/1922	Goldthwaite	
1,509,047	A	9/1924	Lindhorst	
1,526,261	A *	2/1925	Wachs .....	A45C 13/36 16/17.1
1,573,828	A	2/1926	Hamilton	
1,598,127	A *	8/1926	Fleming .....	A47G 27/0431 16/17.1
2,042,692	A	6/1936	Wurzberg	
2,236,465	A	3/1941	Carlson	
2,736,976	A	3/1956	Richthamer	
3,071,777	A	1/1963	Miller	
3,203,125	A	8/1965	Stoessel	
3,559,273	A	2/1971	Porzio	
D230,807	S	3/1974	Penson	
4,217,164	A	8/1980	La Mers	
4,464,834	A	8/1984	Simms	
4,597,206	A	7/1986	Benson	
4,636,047	A	1/1987	Green	
4,681,786	A	7/1987	Brown	
4,853,268	A	8/1989	Hansen	
4,998,319	A	3/1991	Ford	
5,003,664	A	4/1991	Wong	
D330,988	S	11/1992	Robbins, III	
5,305,538	A	4/1994	Kanzelberger	
5,411,167	A	5/1995	Weder	
5,450,046	A	9/1995	Kosugi et al.	
5,712,767	A	1/1998	Koizumi	
D400,780	S	11/1998	Wurdack	
5,966,757	A	10/1999	Sullivan	
D420,658	S	2/2000	Eyler	
6,022,617	A	2/2000	Calkins	
6,120,565	A	9/2000	Dix et al.	
6,124,017	A *	9/2000	Sokol, Jr. ....	B32B 3/08 428/137
6,216,315	B1	4/2001	Fuzzell	
6,230,446	B1	5/2001	Chalich	
D444,010	S	6/2001	Ambrosio	
D453,161	S *	1/2002	Pentz .....	D14/436
D453,339	S	2/2002	Pentz	
D453,517	S	2/2002	Pentz	
6,385,812	B1	5/2002	Iverson	
6,460,303	B1	10/2002	Pacione	
D474,537	S	5/2003	Hantke et al.	
6,558,786	B1	5/2003	Jupina	
6,673,409	B1	1/2004	Wheatley	
7,342,850	B2	3/2008	Martens et al.	
D569,064	S	5/2008	Hinder et al.	
7,397,734	B2	7/2008	Martens et al.	
D575,332	S	8/2008	Parker et al.	
D616,020	S	5/2010	Hoppus et al.	
D630,877	S	1/2011	Howie	
D638,526	S	5/2011	Newman	
D639,408	S	6/2011	Newman	
D659,323	S	5/2012	Davis	
D661,446	S	6/2012	Davis	

D669,759	S	10/2012	Castilleja et al.	
D674,641	S	1/2013	Daniel	
8,485,112	B1	7/2013	Madden	
D706,551	S	6/2014	Lawrence et al.	
D748,202	S *	1/2016	Kennedy .....	D21/489
9,238,180	B2 *	1/2016	Kennedy .....	A63H 33/10
D753,983	S	4/2016	Toye	
D763,843	S	8/2016	Gustaveson, II	
D764,592	S	8/2016	Zenoff	
D769,144	S	10/2016	Dingus et al.	
D798,781	S	10/2017	Adkins	
D838,773	S *	1/2019	Frost .....	D19/10
D851,702	S *	6/2019	Goldstein .....	D19/95
10,357,122	B2	7/2019	Wendling	
10,368,675	B2	8/2019	Wendling	
D861,404	S *	10/2019	Ochsenfeld .....	D6/707.22
D864,069	S	10/2019	Fichter et al.	
D864,609	S	10/2019	Lagun et al.	
D873,050	S *	1/2020	Wendling .....	D6/592
D901,644	S *	11/2020	Freeman .....	D23/259
2001/0044964	A1	11/2001	Phillips	
2002/0004114	A1	1/2002	Leaphart, Jr. et al.	
2002/0020016	A1	2/2002	Lyons	
2003/0203152	A1	10/2003	Higgins et al.	
2004/0068830	A1	4/2004	Sandeman	
2004/0093687	A1	5/2004	Bushey	
2004/0123421	A1	7/2004	Bushey	
2005/0025926	A1	2/2005	Risi et al.	
2005/0257341	A1	11/2005	Chen et al.	
2006/0127628	A1	6/2006	Price	
2006/0191218	A1	8/2006	Pacione	
2007/0220673	A1	9/2007	Nichols	
2008/0052827	A1	3/2008	DeIntinis	
2008/0152860	A1	6/2008	Meyer	
2008/0229501	A1	9/2008	Hutchison	
2009/0250367	A1 *	10/2009	Murdoch .....	B65D 81/053 206/453
2011/0059830	A1	3/2011	Reese	
2011/0074128	A1	3/2011	Chang	
2012/0073081	A1	3/2012	Crenshaw, Sr.	
2012/0284917	A1	11/2012	Nirmel	
2012/0285613	A1 *	11/2012	Bongiovanni .....	C09J 7/40 156/249
2014/0068858	A1	3/2014	Wambeke	
2014/0141201	A1	5/2014	Berner et al.	
2014/0141204	A1	5/2014	Calkins	
2015/0013065	A1	1/2015	Ketcham	
2016/0029826	A1	2/2016	Bongiovanni et al.	
2016/0037944	A1	2/2016	Savignano	
2016/0135632	A1	5/2016	Wendling	
2016/0135633	A1 *	5/2016	Wendling .....	A47G 27/0431 16/17.1
2017/0105563	A1	4/2017	Dawson et al.	
2018/0049574	A1 *	2/2018	Wendling .....	A47G 27/0431

OTHER PUBLICATIONS

Rug Anchors Carpet Hook and Loop Non-slip Mat Anti-skid Stickers by Yonne. Amazon.com Dec. 19, 2016. <<https://www.amazon.com/dp/B01N36UYZP/>>. Accessed on Apr. 30, 2019.

Rug Grippers by Befayoo. Amazon.com. Jul. 25, 2018. <<https://www.amazon.com/dp/B07FY1C72Z/>>. Accessed on Apr. 30, 2019. (Year: 2018).

Rug Pads for Hardwood Floors & Outdoor Rugs by Dageda. Amazon.com. Feb. 22, 2019. <<https://www.amazon.com/dp/B07P2G4QYB/>>. Accessed on Apr. 30, 2019.

Make Your Own Bench Cookies for Cheap With Lee Valley Bench Pucks; Toolguyd.com; Sep. 8, 2011; Accessed on Feb. 12, 2020; (Year 2011); 8 pgs.

Self-Stick Non-Slip Surface Grip Pads by SoftTouch; Sold on Amazon.com; Mar. 31, 2009 (Year 2009); 9 pgs.

Mr Ton Rug Gripper, Anti Curling Non Slip Rug Pad with Renewable Gripper Tape for Indoor & Outdoor Carpet Mat, Door Mat, Ideal for All Flat Floor Type, 8 pcs, Large Size, Amazon, May 15, 2018, <https://www.amazon.com/Mr-Ton-gripper-curling-renewable-outdoor/dp/B07D39P457/>, 1 pg.

(56)

**References Cited**

OTHER PUBLICATIONS

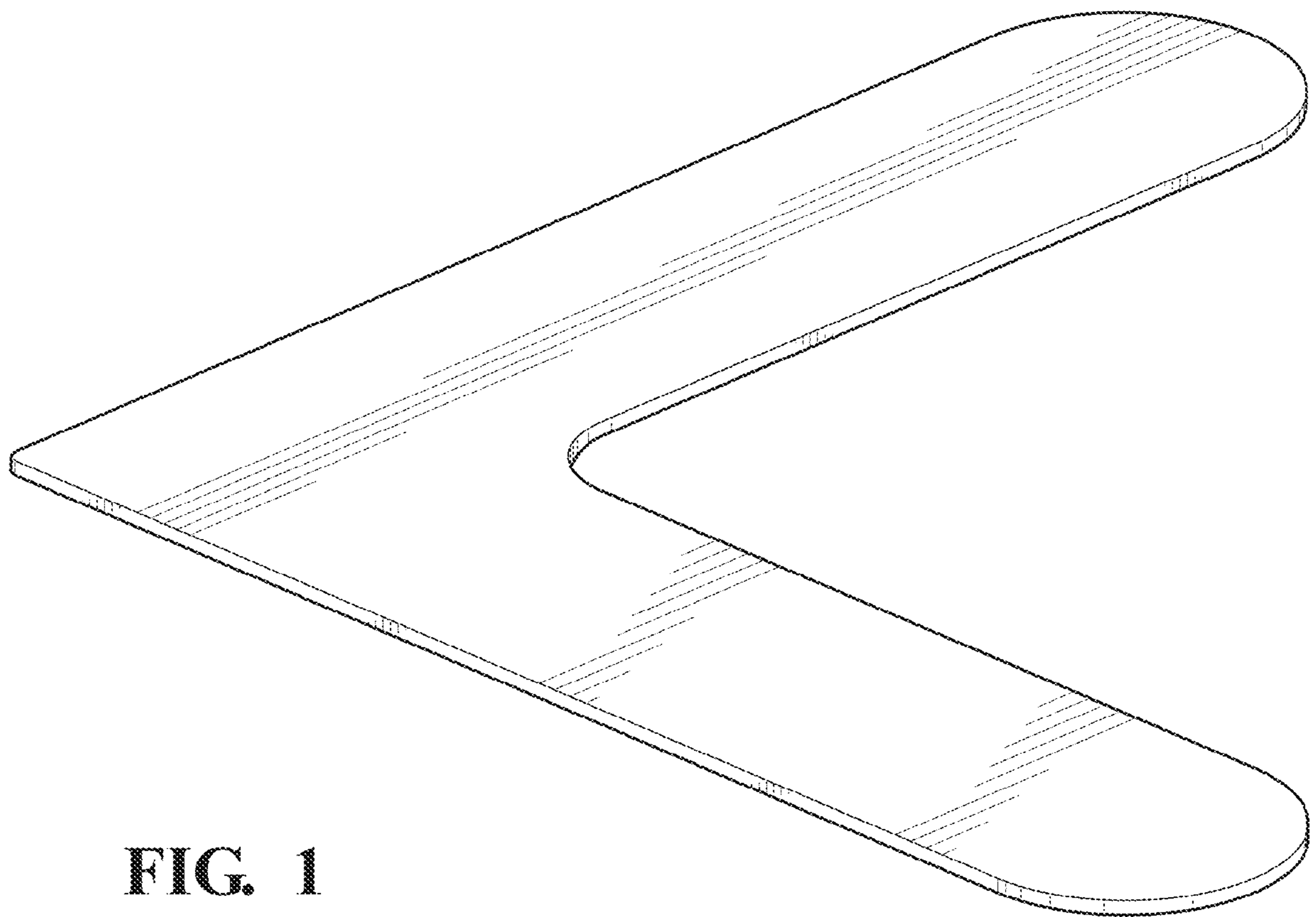
Rug Grippers by Bowbird 8 pcs, “Anti Curling Non Slip Rug Gripper Flatten Rug Corners Stop Sliding Ideal Alternative to Rug Pad Carpet Tape and Rug Tape for Hard Floors” B078J12790 PcJ548JA, Let’S Go Shopping Dec. 20, 2017, [http://111.midwestaginsurance.net/rug-pads-ff-18\\_20/rug-grippers-by-bowbird-8-pcs-anti-curling-anmd-non-slip-rug-gripper-flatten-rug-comers-stop-sliding-ideal-alternative-to-rug-pad-carpet-tape-and-rug-tape-for-hard-floors-b078j1279d-pcj548ja-gg-4664.html](http://111.midwestaginsurance.net/rug-pads-ff-18_20/rug-grippers-by-bowbird-8-pcs-anti-curling-anmd-non-slip-rug-gripper-flatten-rug-comers-stop-sliding-ideal-alternative-to-rug-pad-carpet-tape-and-rug-tape-for-hard-floors-b078j1279d-pcj548ja-gg-4664.html), 1 pg.

Rug Grippers X-Protector—New 8 pcs Anti Curling Rug Gripper—Rug Pad, Keeps your Rug in Place & Corners lat, Carpet Gripper Renewable Gripper Tape—Rug Tape. Original Brand—Avoid the Copies!, Amazon, Sep. 1, 2017, <https://www.amazon.com/x-protector-grippers-anti-curling-gripper/dp/B07C2PVZ9BV>; 1 pg.

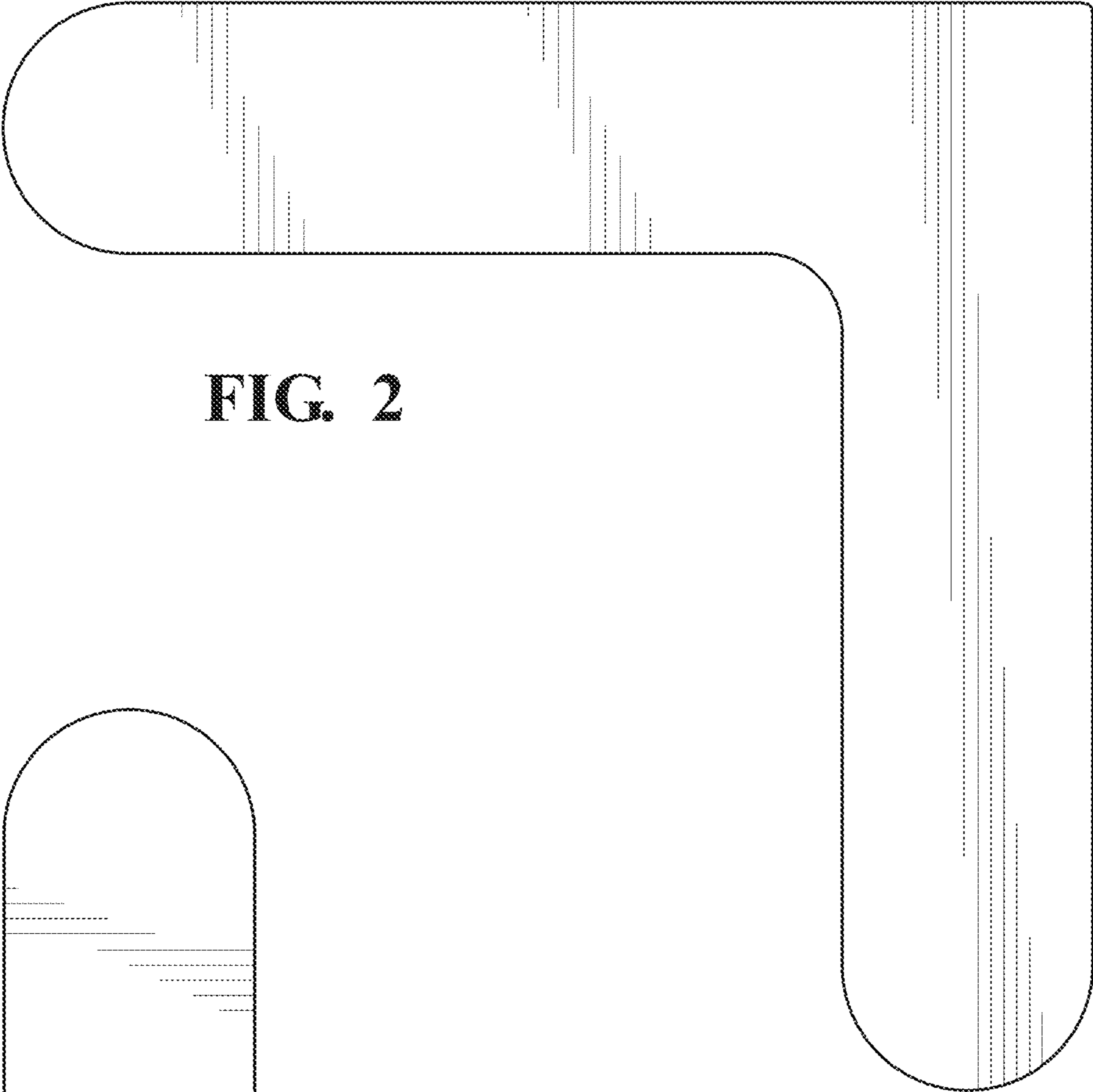
Election Restriction pertaining to U.S. Appl. No. 29/723,518 dated Jun. 29, 2020.

Election Restriction pertaining to U.S. Appl. No. 29/723,488 dated Jun. 29, 2020.

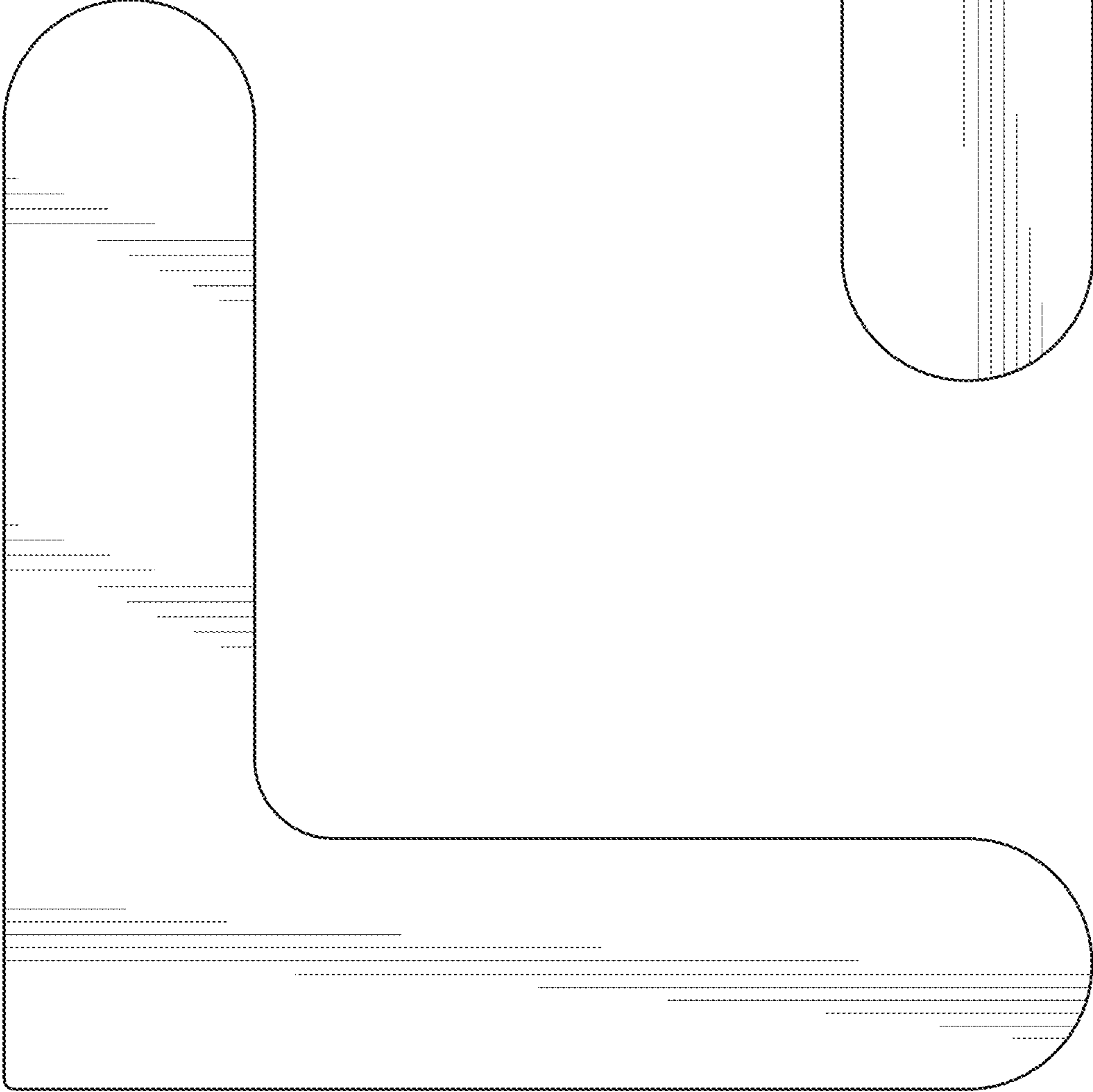
\* cited by examiner



**FIG. 1**



**FIG. 2**



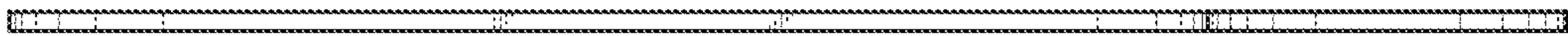
**FIG. 3**



**FIG. 4**



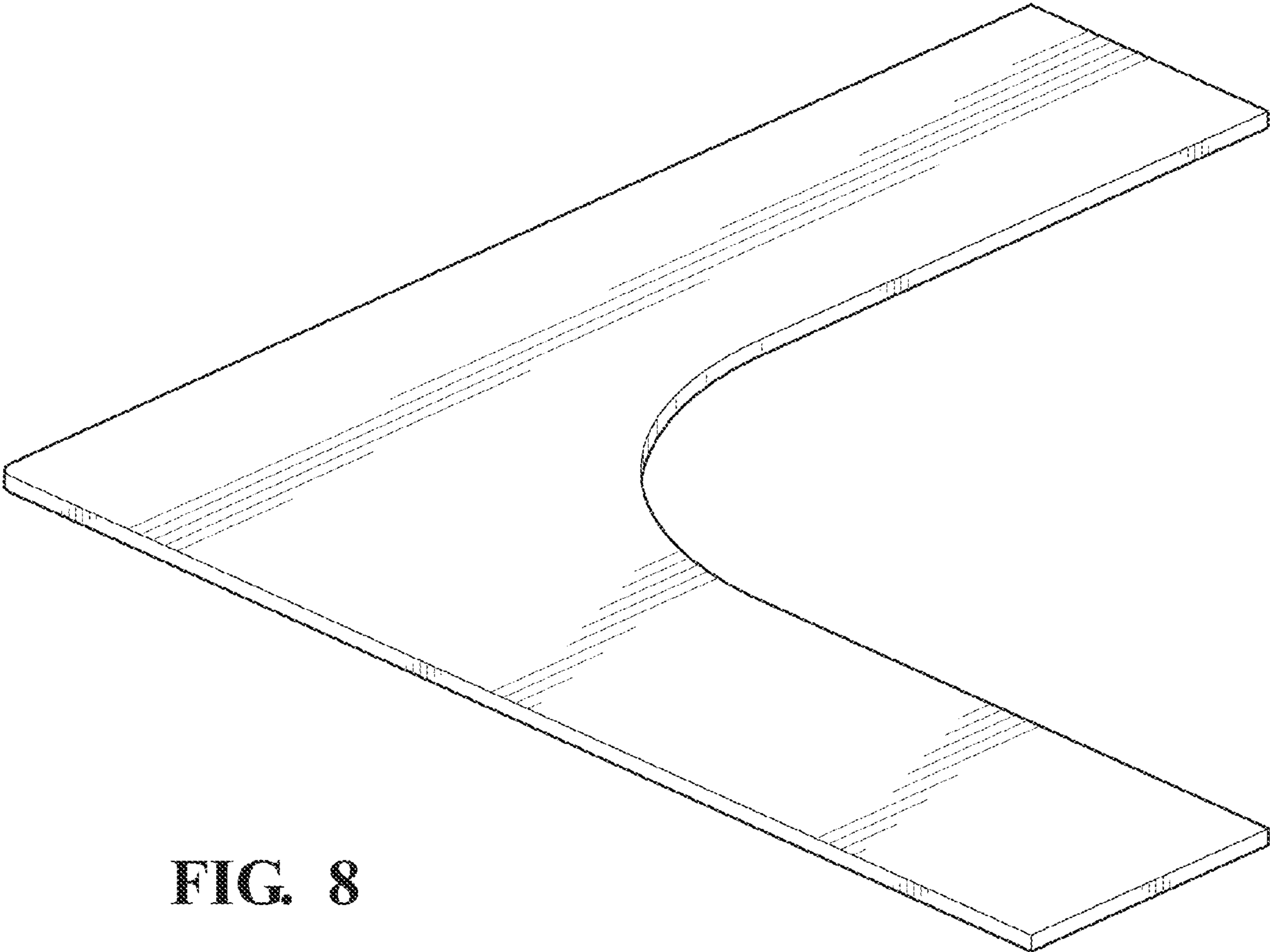
**FIG. 5**



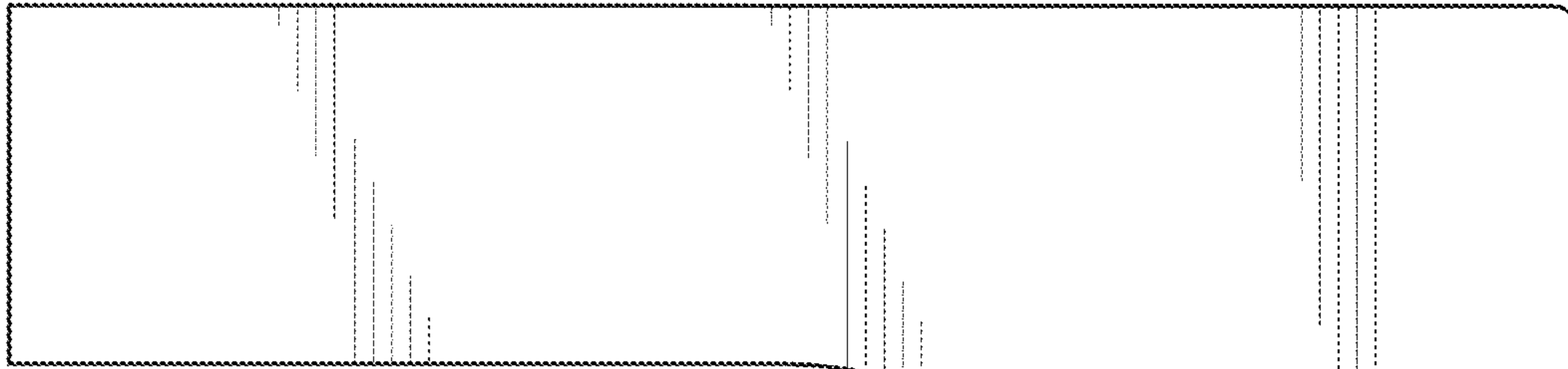
**FIG. 6**



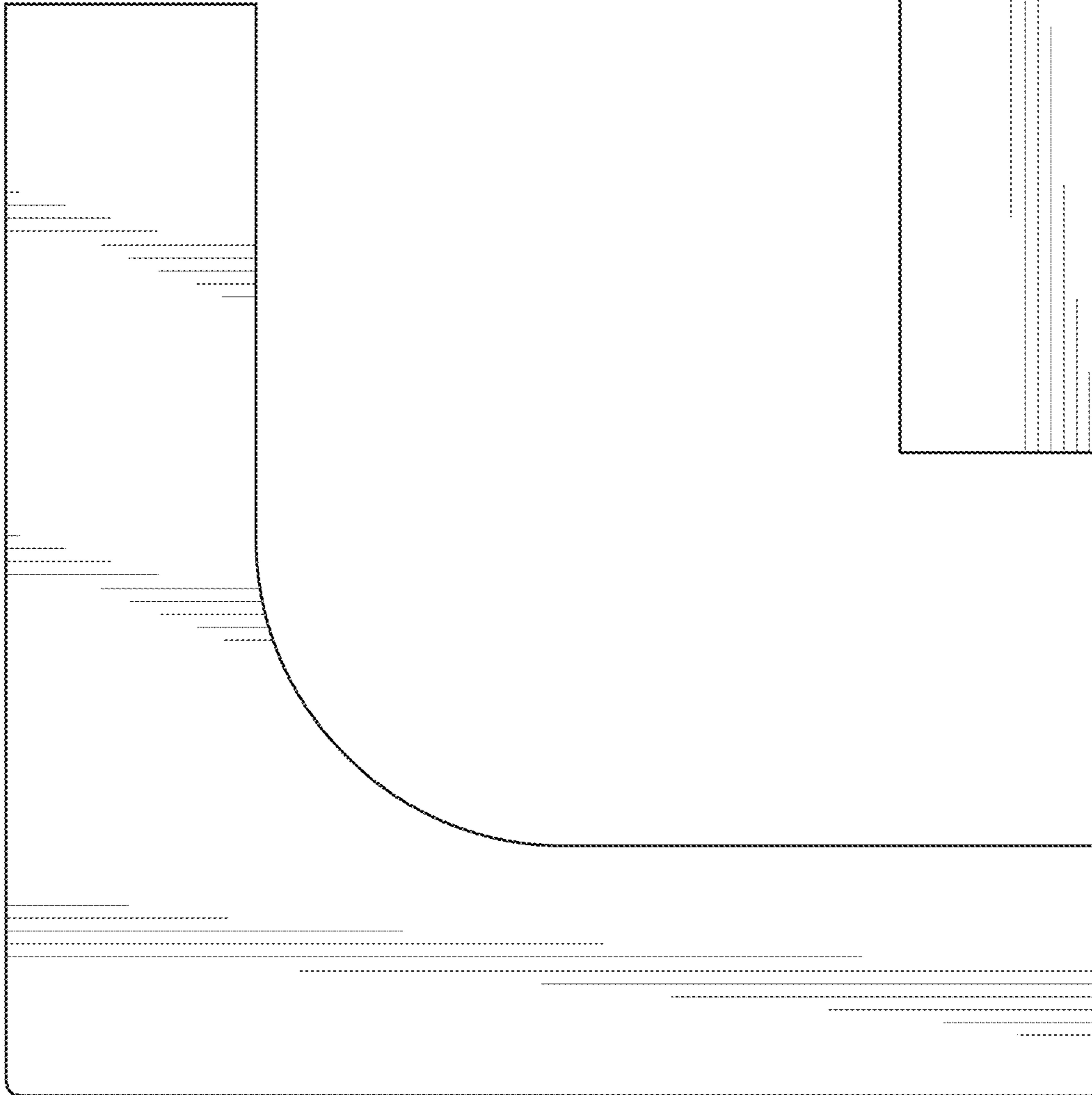
**FIG. 7**



**FIG. 8**

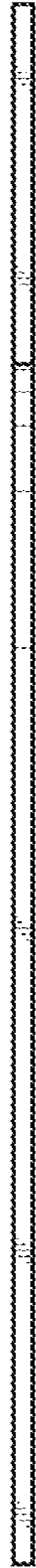


**FIG. 9**

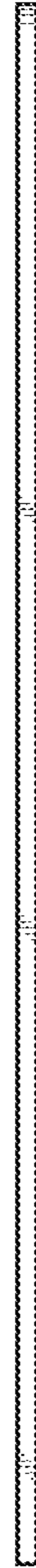


**FIG. 10**





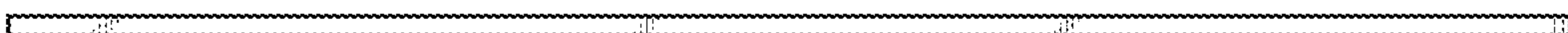
**FIG. 11**



**FIG. 12**



**FIG. 13**



**FIG. 14**