



US00D917924S

(12) **United States Design Patent** (10) **Patent No.:** **US D917,924 S**
Schoenherr et al. (45) **Date of Patent:** **** May 4, 2021**

(54) **SHELF**
(71) Applicant: **Hansgrohe SE**, Schiltach (DE)
(72) Inventors: **Tom Schoenherr**, Stuttgart (DE);
Matthias Oesterle, Winterbach (DE)

D677,365 S 3/2013 Schoenherr et al.
D761,388 S 7/2016 Schoenherr et al.
D761,391 S * 7/2016 Schoenherr D23/254
D813,991 S * 3/2018 Schoenherr D23/254
D819,364 S * 6/2018 Cole D6/574
D866,220 S * 11/2019 Lee D6/574
D867,545 S * 11/2019 Chung D23/249

(73) Assignee: **Hansgrohe SE**, Schiltach (DE)

FOREIGN PATENT DOCUMENTS

(**) Term: **15 Years**

CN 302436509 5/2013
CN 303989177 12/2016
CN 304904611 11/2018
CN 305218051 6/2019
EM 001291272-0001 9/2011
EM 001291272-0002 9/2011
EM 001291272-0003 9/2011

(21) Appl. No.: **29/693,393**

(22) Filed: **Jun. 3, 2019**

(30) **Foreign Application Priority Data**

* cited by examiner

Dec. 4, 2018 (EM) 005843083-0019

(51) **LOC (13) Cl.** **06-04**

Primary Examiner — Mark Booker

(52) **U.S. Cl.**
USPC **D6/574**

(74) *Attorney, Agent, or Firm* — Lora J. Graentzdoerffer

(58) **Field of Classification Search**
USPC D6/574, 320–324, 705; D7/698;
D2/672; D26/72; 108/28–29, 152;
211/13.1, 42, 86.01, 88.01, 90.01, 90.03,
211/126.1, 134, 153; 248/205.3, 235,
248/243, 247, 250; D23/238, 241, 242,
D23/254, 249, 255

(57) **CLAIM**

The ornamental design for a shelf, as shown and described.

CPC A47B 43/00; A47B 43/04; A47B 47/0066;
A47B 47/04; A47B 63/00; A47B 69/00;
A47B 71/00

DESCRIPTION

FIG. 1 is a perspective view of a shelf showing our design;
FIG. 2 is a front elevation view;
FIG. 3 is a rear elevation view;
FIG. 4 is a right side elevation view;
FIG. 5 is a left side elevation view;
FIG. 6 is a top plan view; and,
FIG. 7 is a bottom plan view.

See application file for complete search history.

The broken lines shown in the figures represent portions of the shelf that form no part of the claimed design.

(56) **References Cited**

U.S. PATENT DOCUMENTS

D417,577 S * 12/1999 Ming-Hsiao D6/574
D677,364 S * 3/2013 Schoenherr D23/238

1 Claim, 7 Drawing Sheets

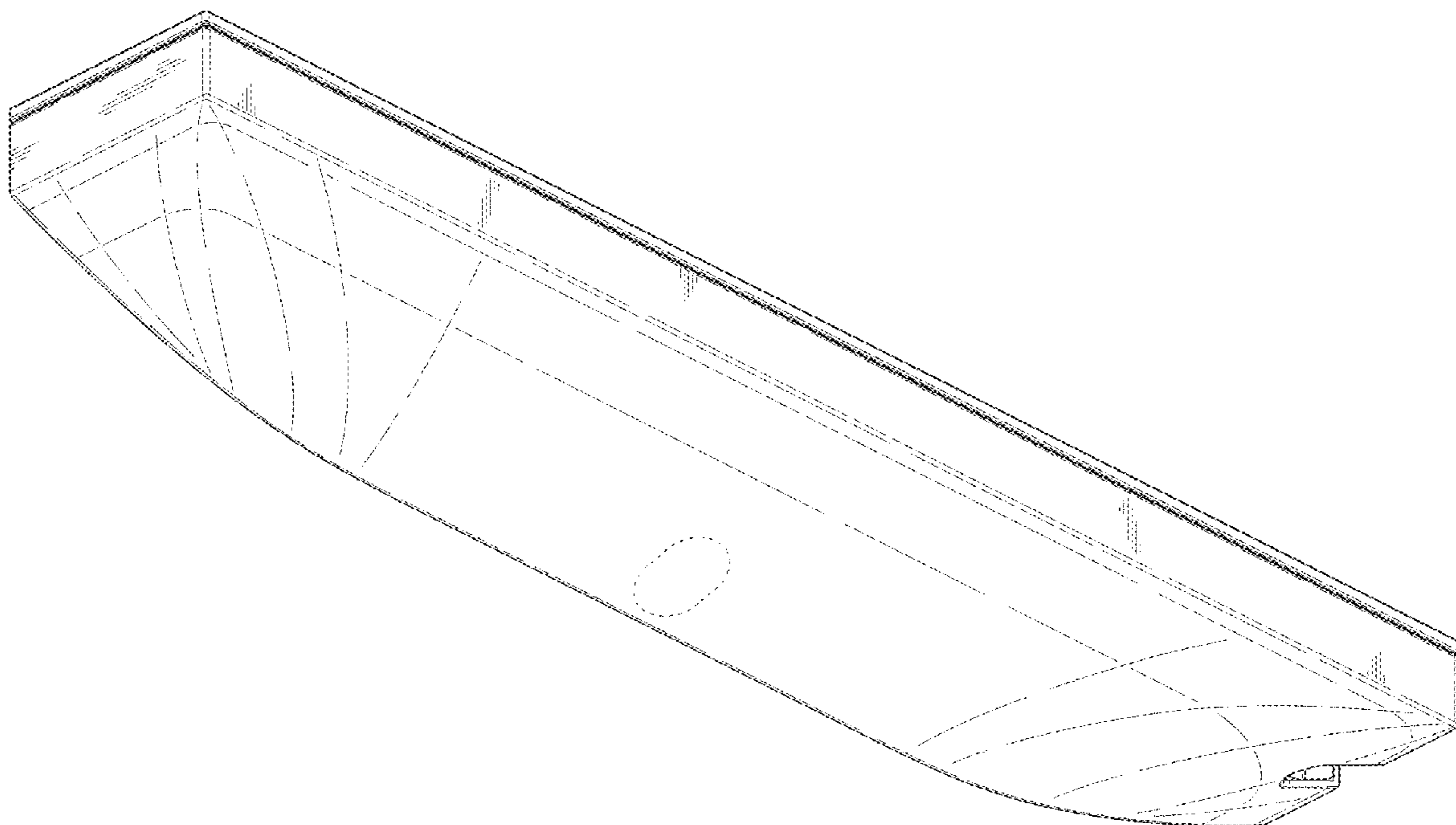


FIG. 1

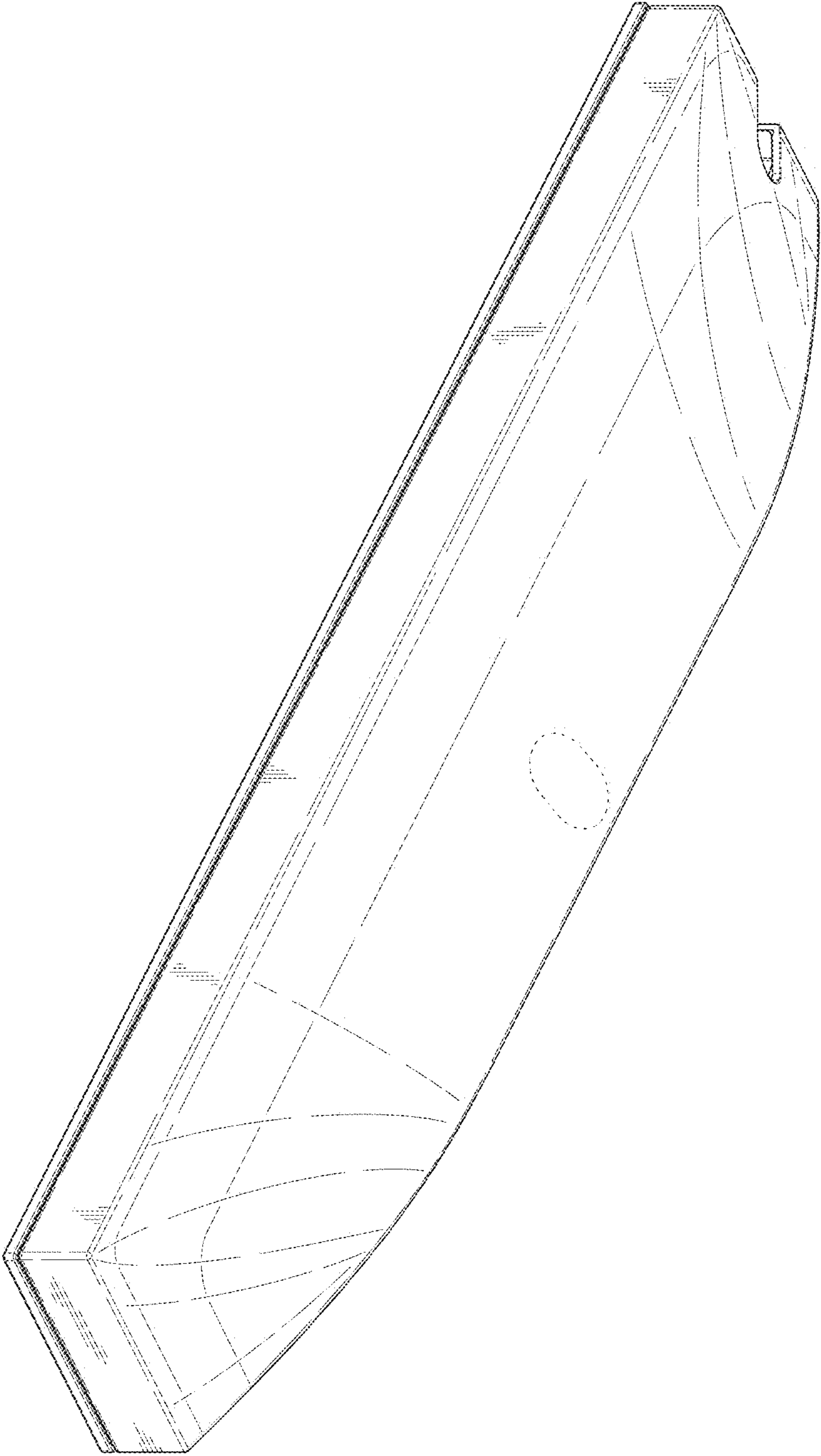


FIG. 2

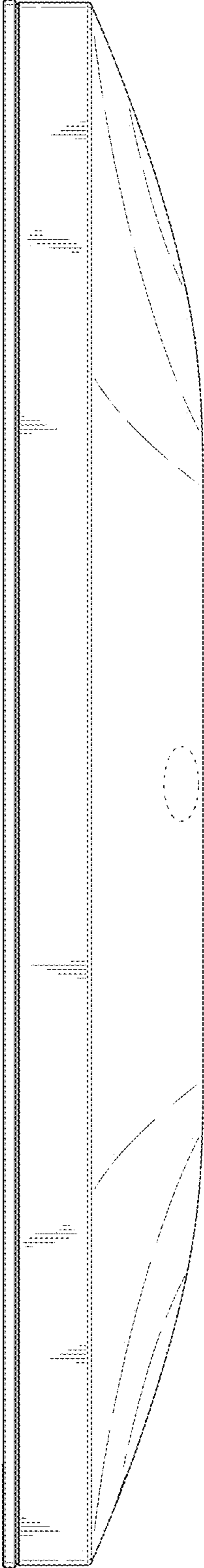


FIG. 3

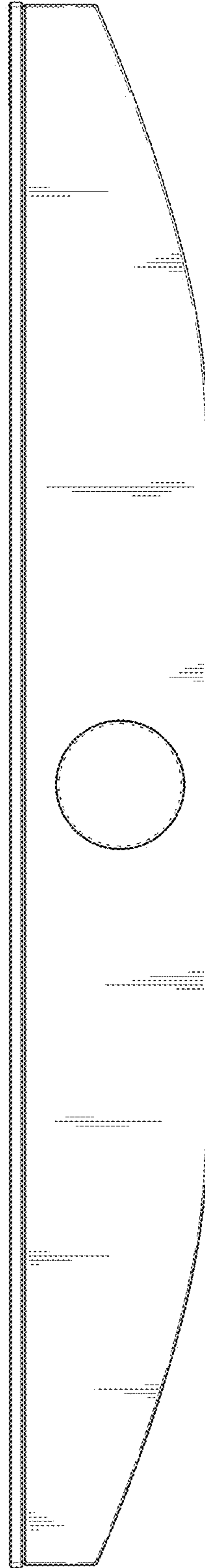


FIG. 4

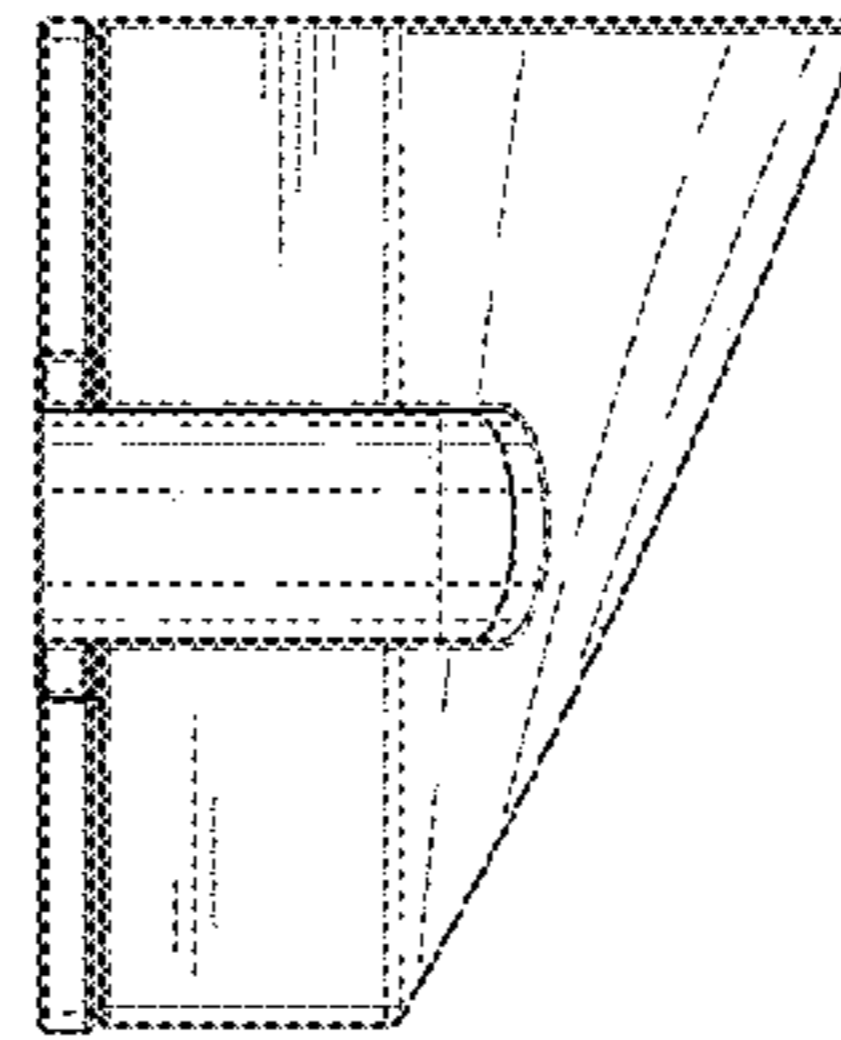


FIG. 5

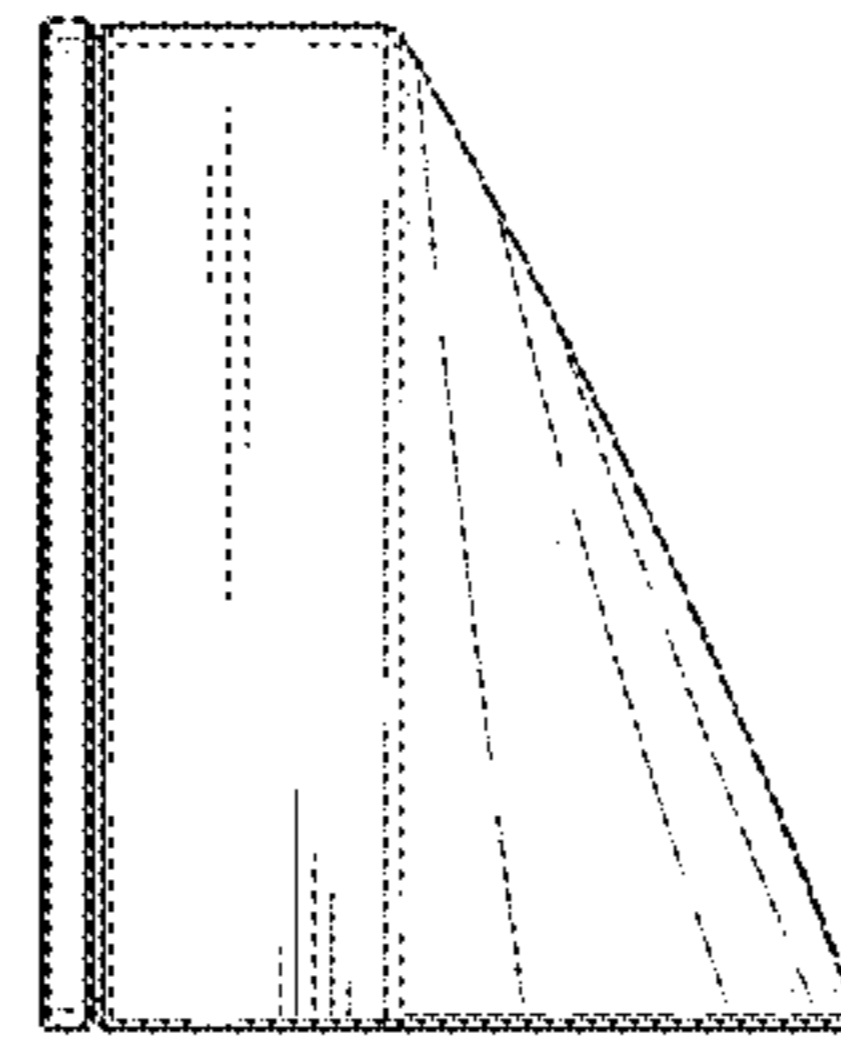


FIG. 6

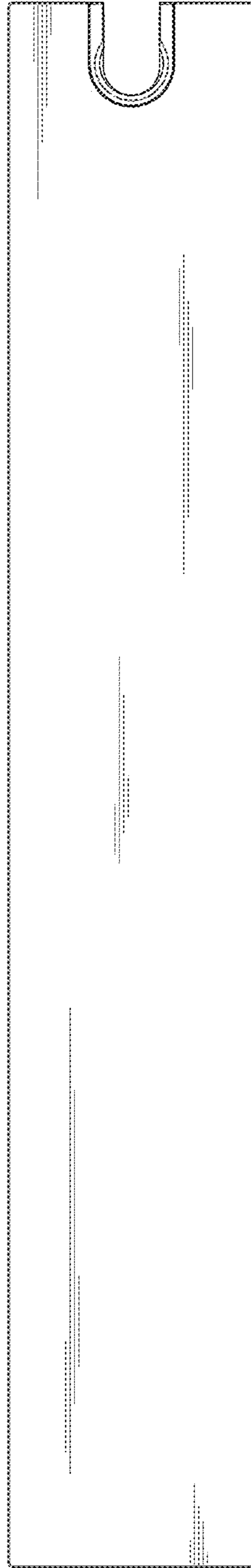


FIG. 7

