



US00D917923S

(12) **United States Design Patent**
Yan

(10) **Patent No.:** **US D917,923 S**

(45) **Date of Patent:** **** May 4, 2021**

(54) **WALL MOUNTED JEWELRY ORGANIZER**

(71) Applicant: **Banggan Yan**, Zhejiang (CN)

(72) Inventor: **Banggan Yan**, Zhejiang (CN)

(**) Term: **15 Years**

(21) Appl. No.: **29/705,084**

(22) Filed: **Sep. 10, 2019**

(51) **LOC (13) Cl.** **06-04**

(52) **U.S. Cl.**
USPC **D6/571**

(58) **Field of Classification Search**
USPC D6/570-573, 525, 553, 566, 672;
D19/86, 87, 89-92, 113; 211/10, 11, 42,
211/45, 50, 88.01, 126.1, 106, 13.1, 30,
211/32, 70.6, 56.01, 87.01, 181.1, 75,
211/90.03, 85.2; 248/301-304, 309.1,
248/309.2

CPC A47K 17/00; A47K 3/281; B23P 17/04;
A47B 57/265; A47B 57/565; A47B
57/26; A47B 43/00; A47B 43/04; A47B
47/0066; A47B 47/04; A47B 63/00; A47B
69/00; A47B 71/00; A47B 81/00; A47B
47/00; B65D 51/00; B25H 3/04

See application file for complete search history.

(56) **References Cited**

U.S. PATENT DOCUMENTS

D251,340 S * 3/1979 Strasser D6/682.2
D256,074 S * 7/1980 Gruenewald D6/571

D328,681 S * 8/1992 Radosevich D6/567
D364,519 S * 11/1995 Daughtry D6/513
D553,409 S * 10/2007 Rosario D6/571
D701,998 S * 4/2014 Brown D28/73
D808,193 S * 1/2018 Sun D6/559
D901,933 S * 11/2020 Chiang D6/553
D907,944 S * 1/2021 Chiang D6/672
2014/0263116 A1 * 9/2014 Wojciechowski A47F 5/0807
211/85.2

* cited by examiner

Primary Examiner — Mark Booker

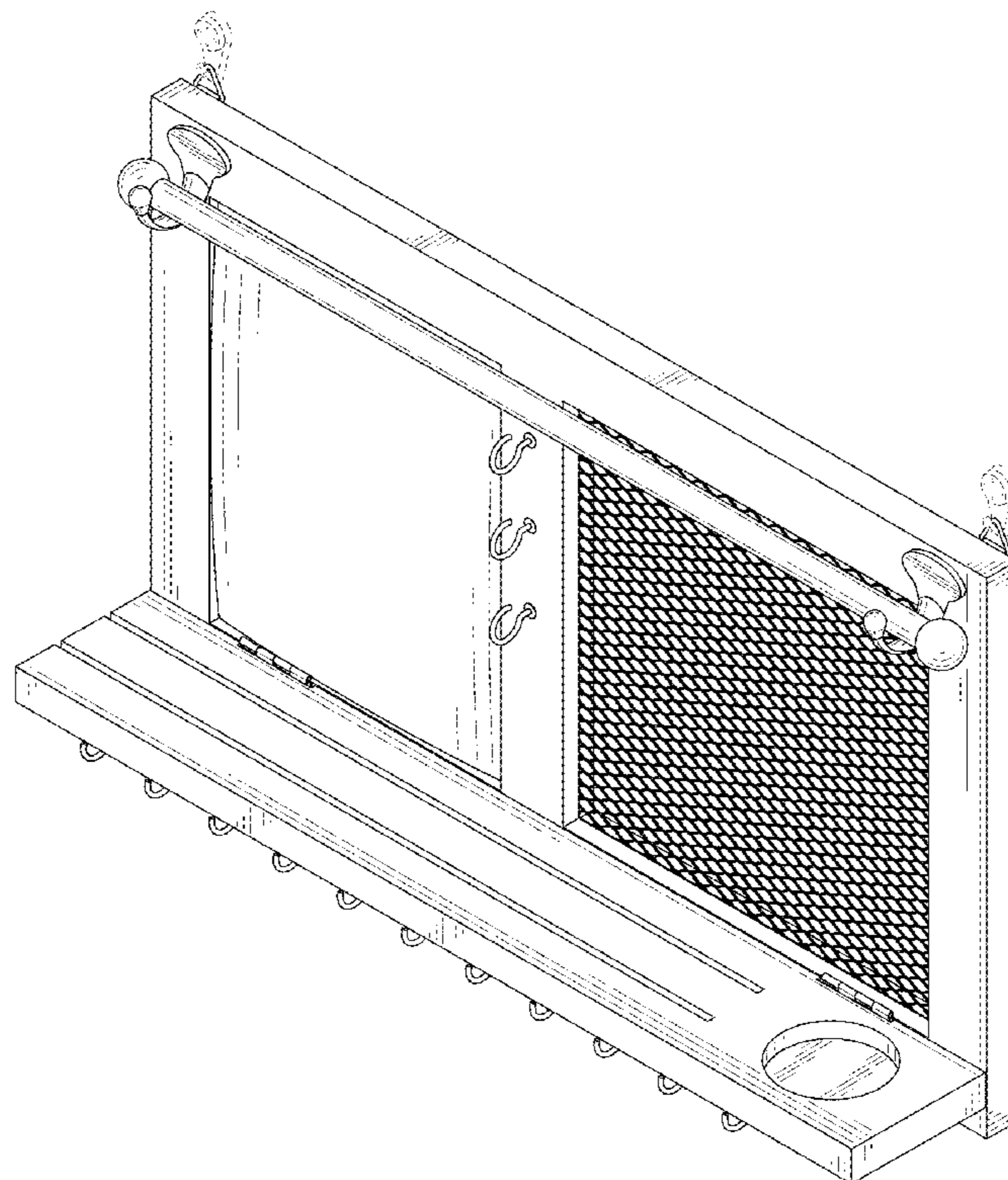
(57) **CLAIM**

The ornamental design for a wall mounted jewelry organizer, as shown and described.

DESCRIPTION

FIG. 1 is a front and top perspective view of a wall mounted jewelry organizer, showing my new design;
FIG. 2 is a rear and bottom perspective view thereof;
FIG. 3 is a front elevational view thereof;
FIG. 4 is a rear elevational view thereof;
FIG. 5 is a left side elevational view thereof;
FIG. 6 is a right side elevational view thereof;
FIG. 7 is a top plan view thereof; and,
FIG. 8 is a bottom plan view thereof.
The broken lines in the figures indicate the environmental structures that form no part of the claimed design.

1 Claim, 8 Drawing Sheets



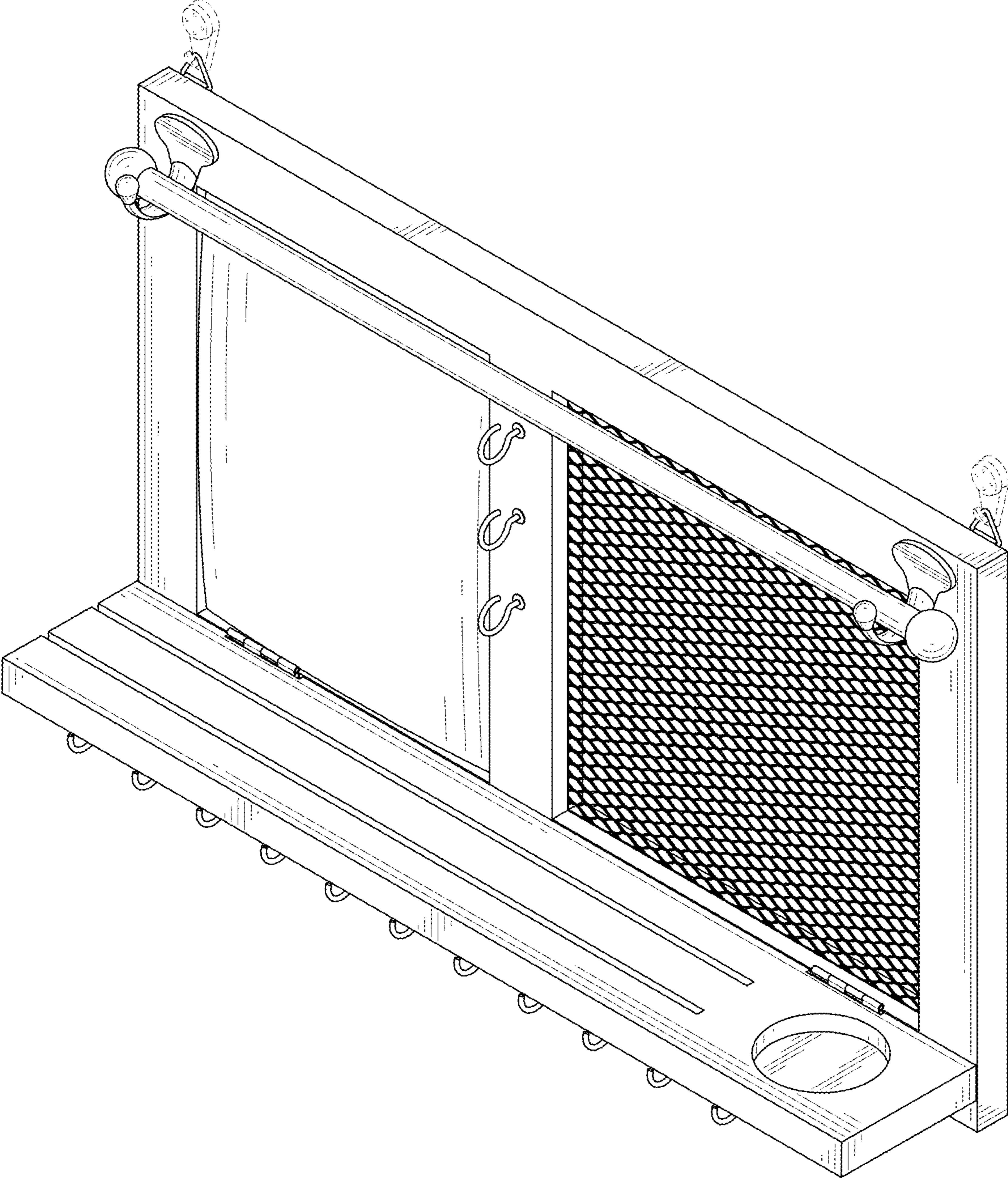


FIG. 1

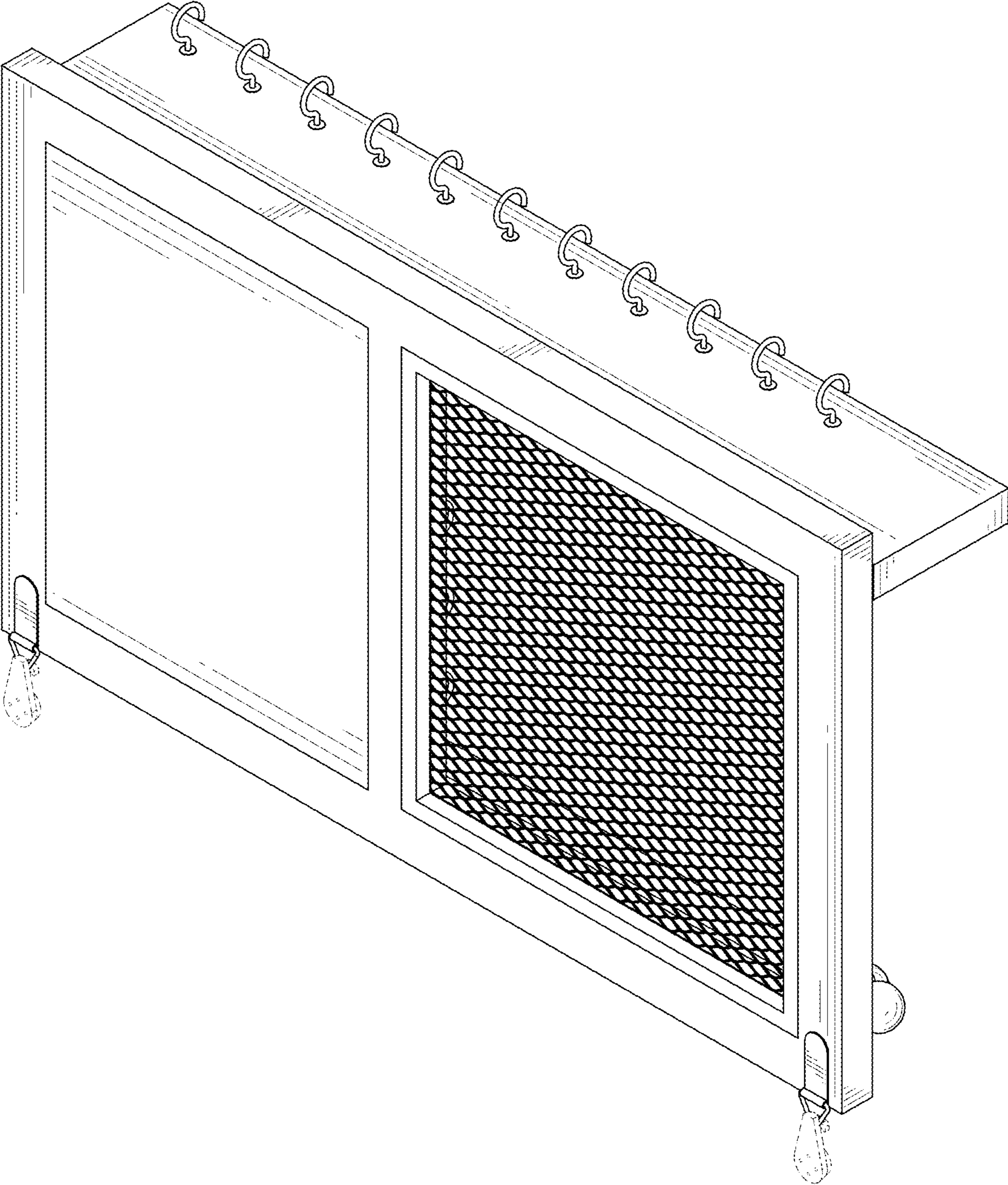


FIG. 2

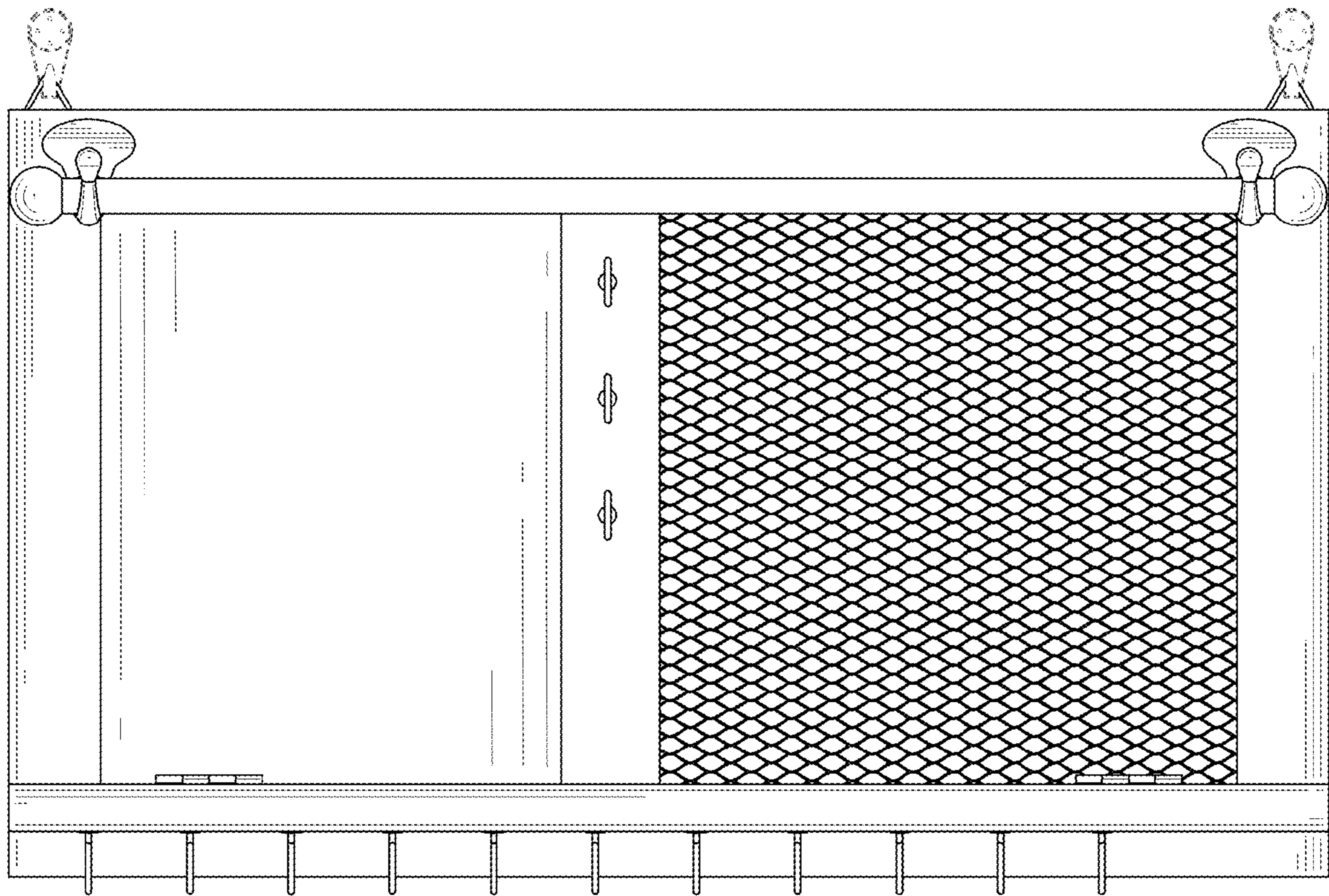


FIG. 3

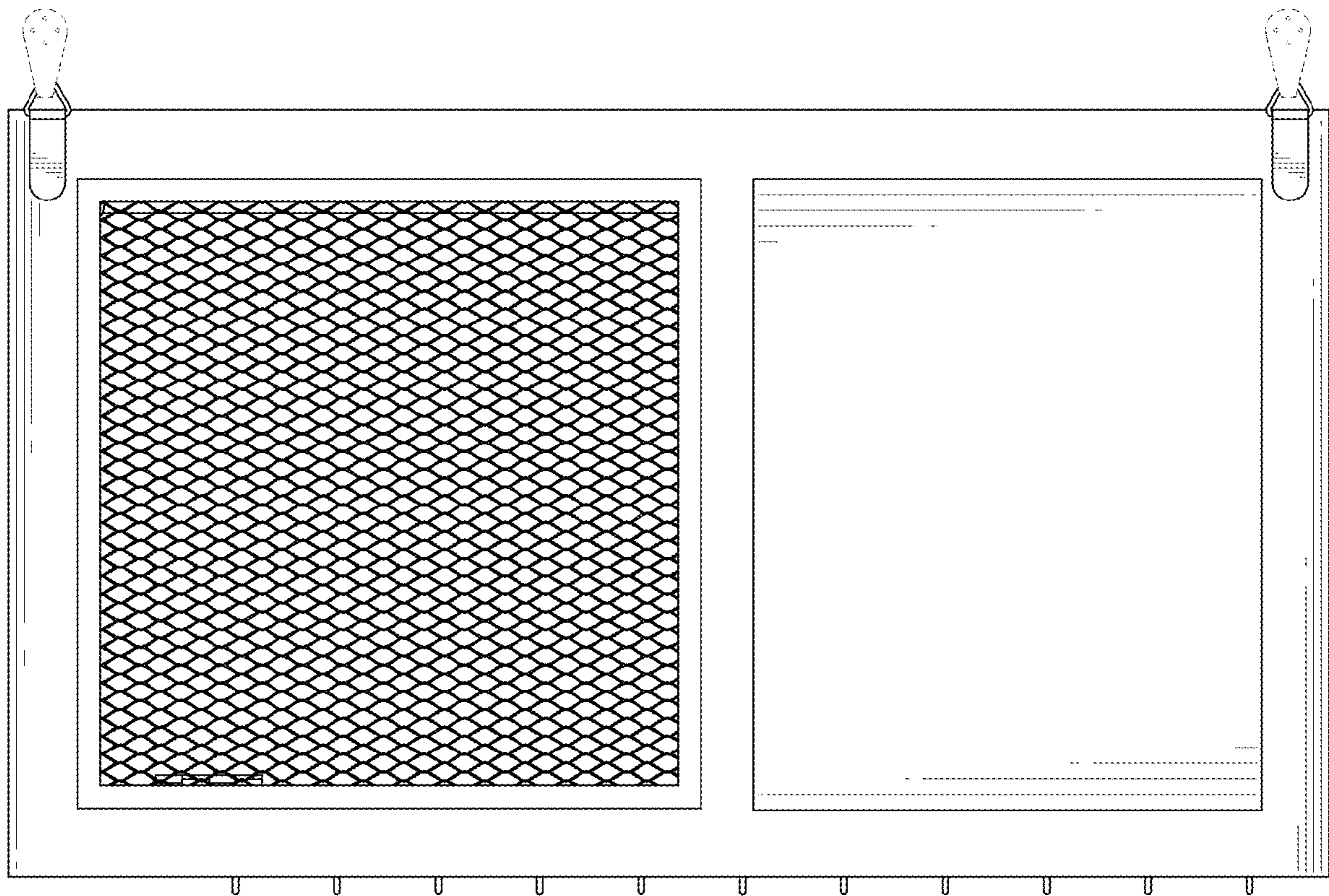


FIG. 4

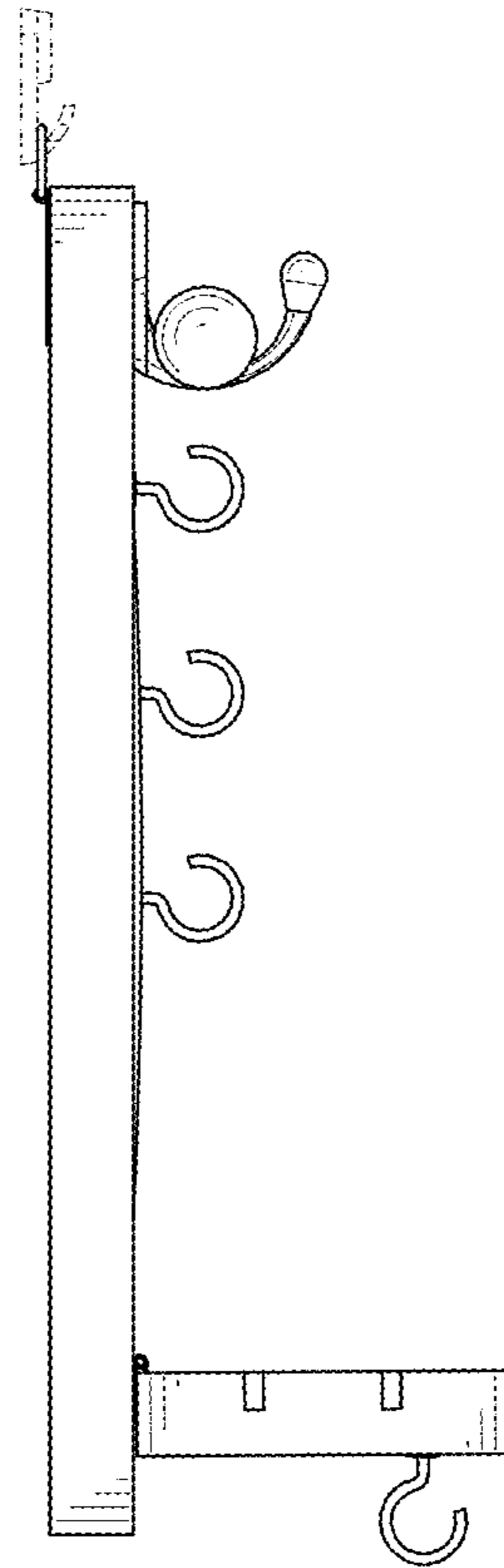


FIG. 5

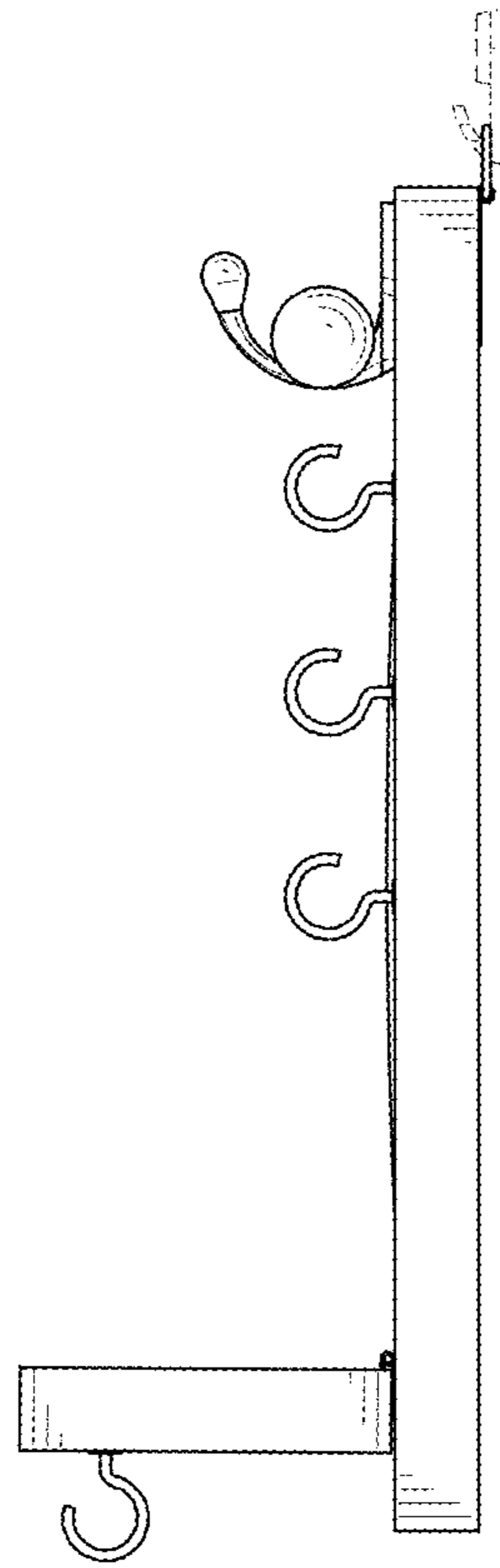


FIG. 6

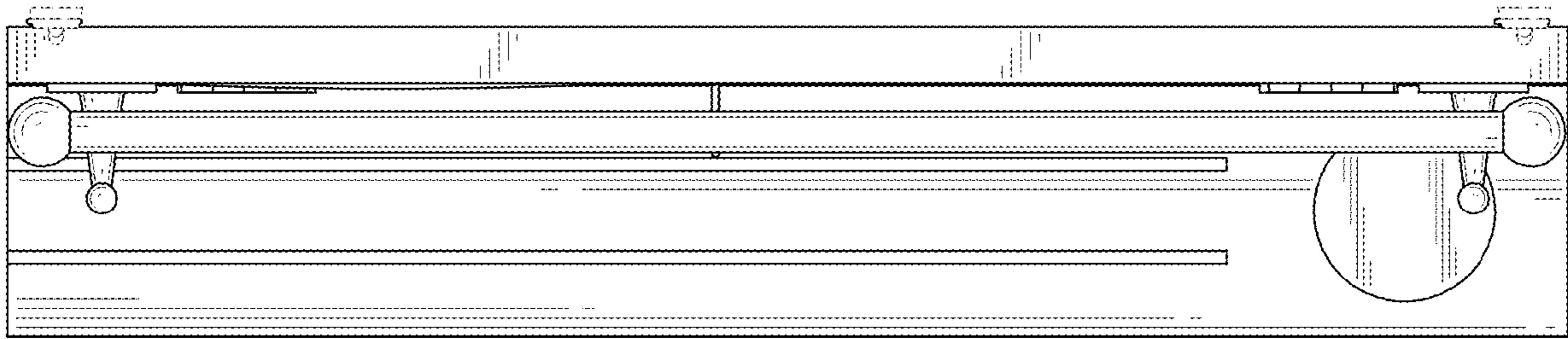


FIG. 7

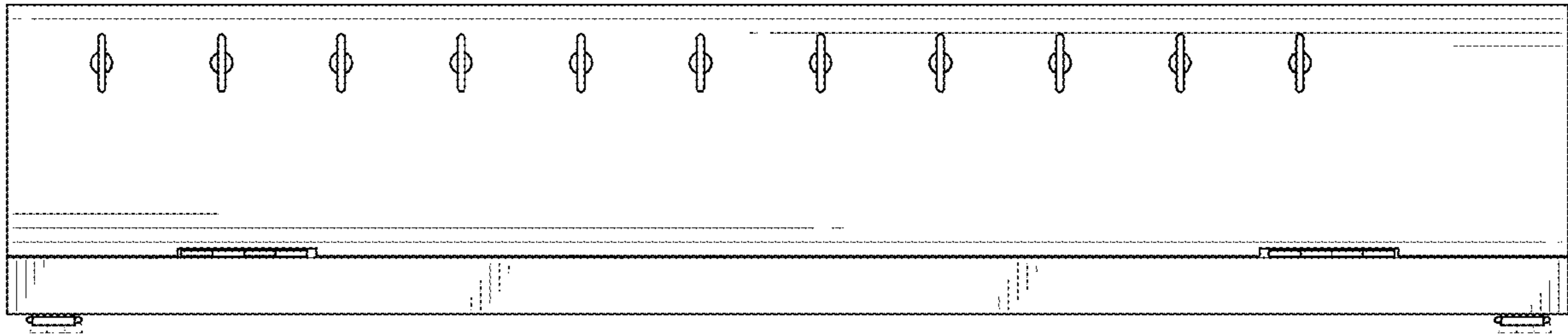


FIG. 8