



US00D917920S

(12) **United States Design Patent**
Dittrich

(10) **Patent No.:** **US D917,920 S**

(45) **Date of Patent:** **** May 4, 2021**

(54) **SINK CRADLE**

D811,122 S * 2/2018 Goodman D6/553
D811,677 S * 2/2018 Goodman D32/55
D826,502 S * 8/2018 Goodman D32/55

(71) Applicant: **Spectrum Diversified Designs, LLC**,
Streetsboro, OH (US)

(72) Inventor: **Megan Dittrich**, Twinsburg, OH (US)

(73) Assignee: **SPECTRUM DIVERSIFIED
DESIGNS, LLC**, Streetsboro, OH (US)

(**) Term: **15 Years**

(21) Appl. No.: **29/698,434**

(22) Filed: **Jul. 17, 2019**

(51) **LOC (13) Cl.** **07-05**

(52) **U.S. Cl.**
USPC **D6/553; D32/55**

(58) **Field of Classification Search**
USPC D6/537, 524, 525, 536, 553, 566, 540,
D6/567, 320; D3/306; D7/637;
D32/55-56; 211/13.1, 74, 71.01, 86.01,
211/75, 88.01, 90.01, 90.03, 106, 119,
211/126.1, 133.5, 181.1, 134, 87.01;
248/206.2-206.3

CPC .. B23P 17/04; A47K 1/09; A47K 1/08; A47K
3/281; F16B 47/00

See application file for complete search history.

(56) **References Cited**

U.S. PATENT DOCUMENTS

D723,760 S * 3/2015 Goodman D32/55
D774,798 S * 12/2016 Goodman D6/537

OTHER PUBLICATIONS

Spectrum Diversified Scroll Sponge Holder, Black, Amazon.com website, https://www.amazon.com/Spectrum-Diversified-Scroll-Sponge-Holder/dp/B00OJI09TG/ref=sr_1_2?keywords=Spectrum+Diversified+Scroll+Sponge+Holder%2C+Black&qid=1563304791&s=home-garden&sr=1-2, dated Jul. 9, 2019, 1 page.

* cited by examiner

Primary Examiner — Mark Booker

(74) *Attorney, Agent, or Firm* — Tucker Ellis LLP

(57) **CLAIM**

The ornamental design for a sink cradle, as shown and described.

DESCRIPTION

FIG. 1 is a perspective view of a sink cradle showing my new design.

FIG. 2 is a front view thereof.

FIG. 3 is a rear view thereof.

FIG. 4 is a left side view thereof.

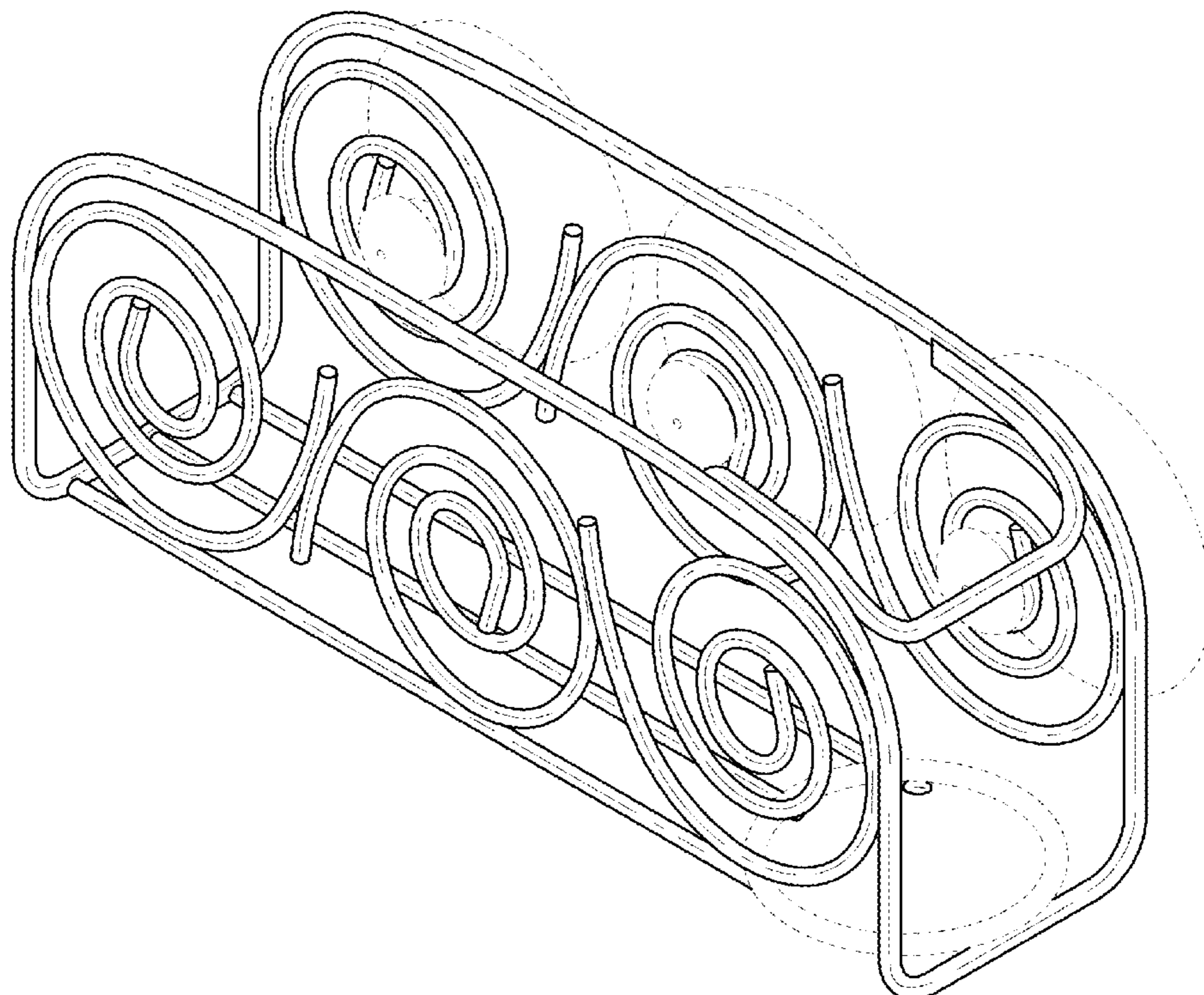
FIG. 5 is a right side view thereof.

FIG. 6 is a top view thereof; and,

FIG. 7 is a bottom view thereof.

The broken lines show portions of the design that form no part of the claimed design.

1 Claim, 4 Drawing Sheets



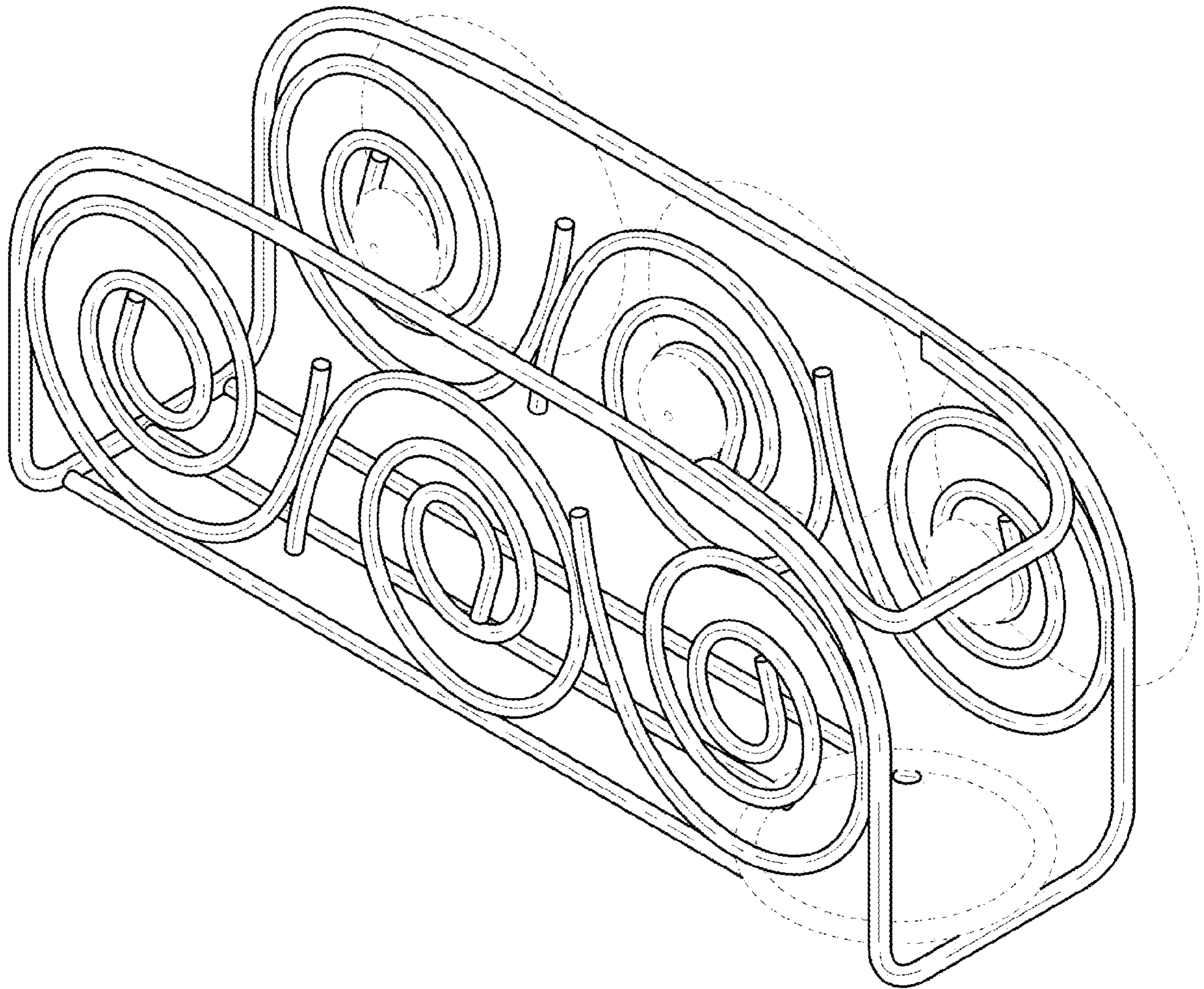


FIG. 1

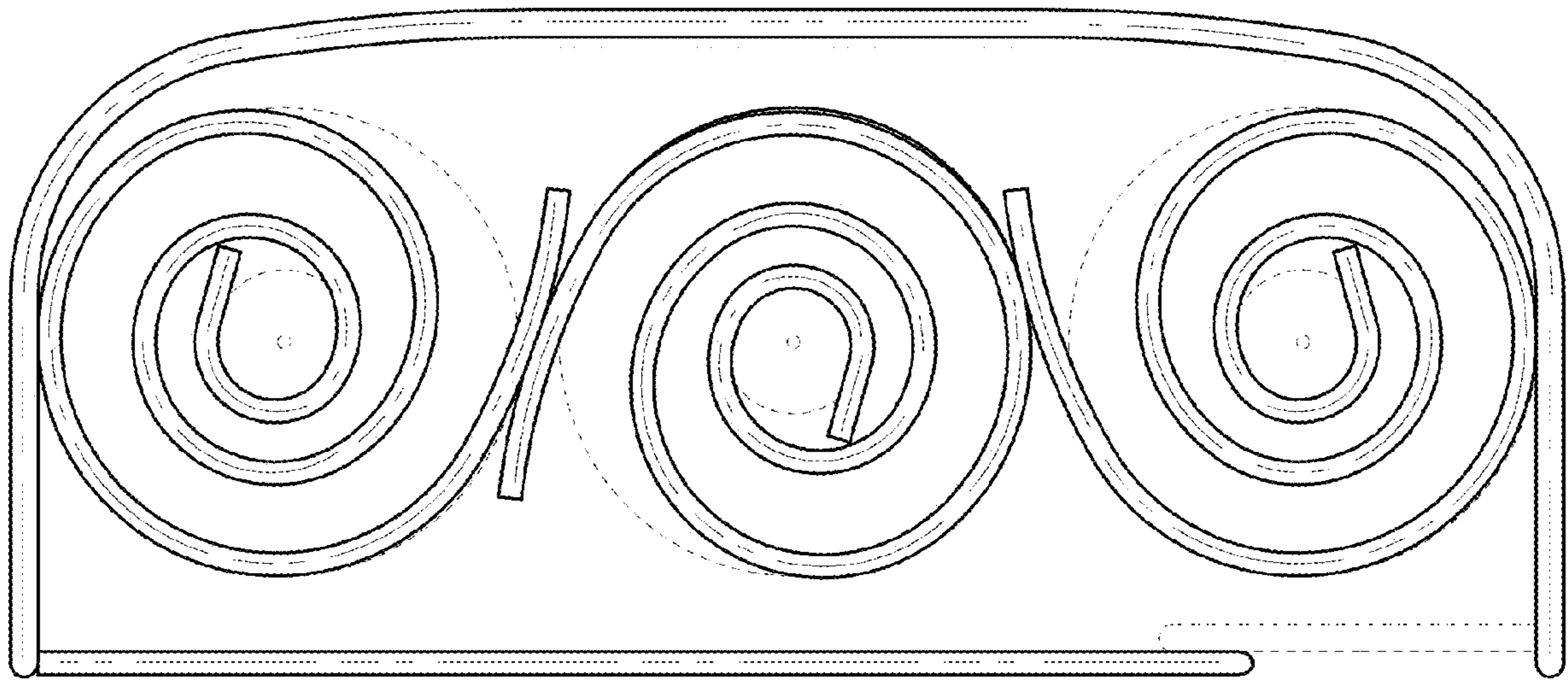


FIG. 2

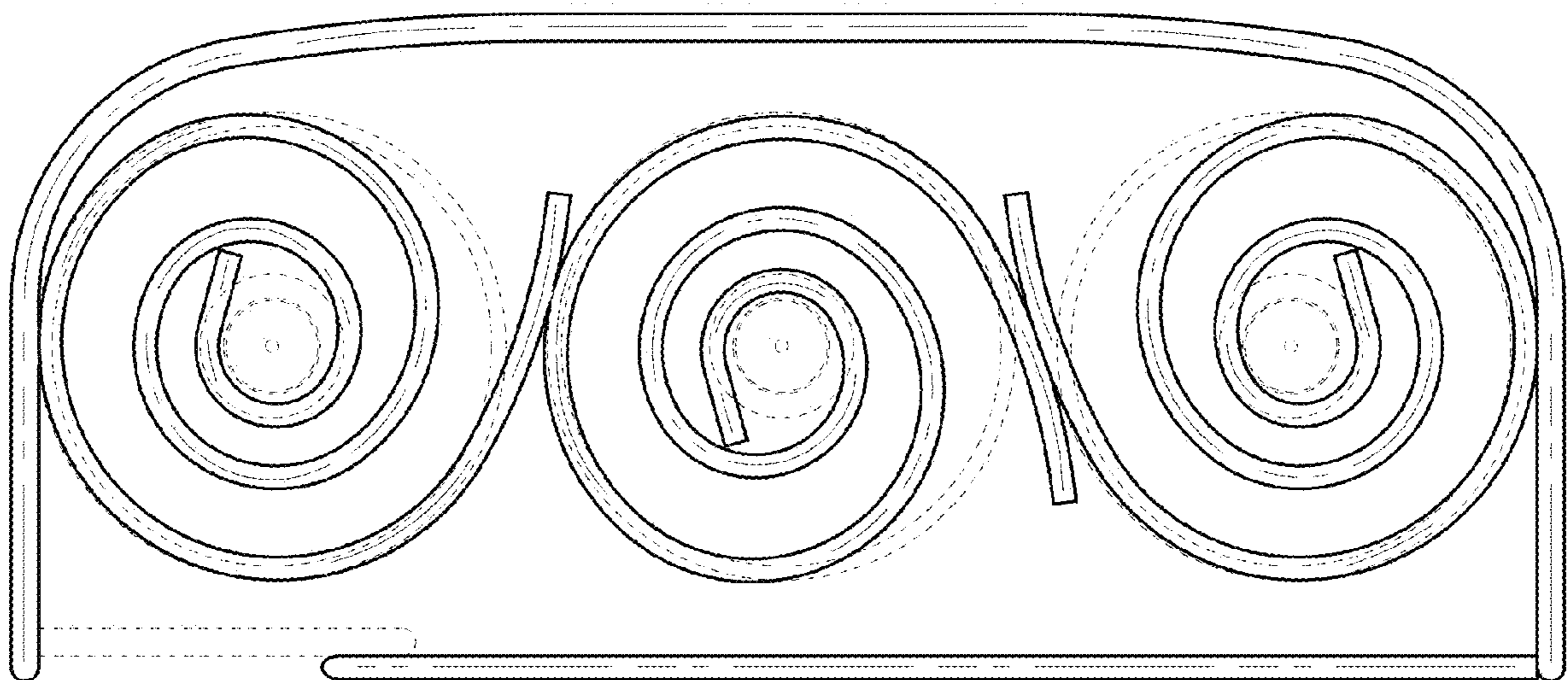


FIG. 3

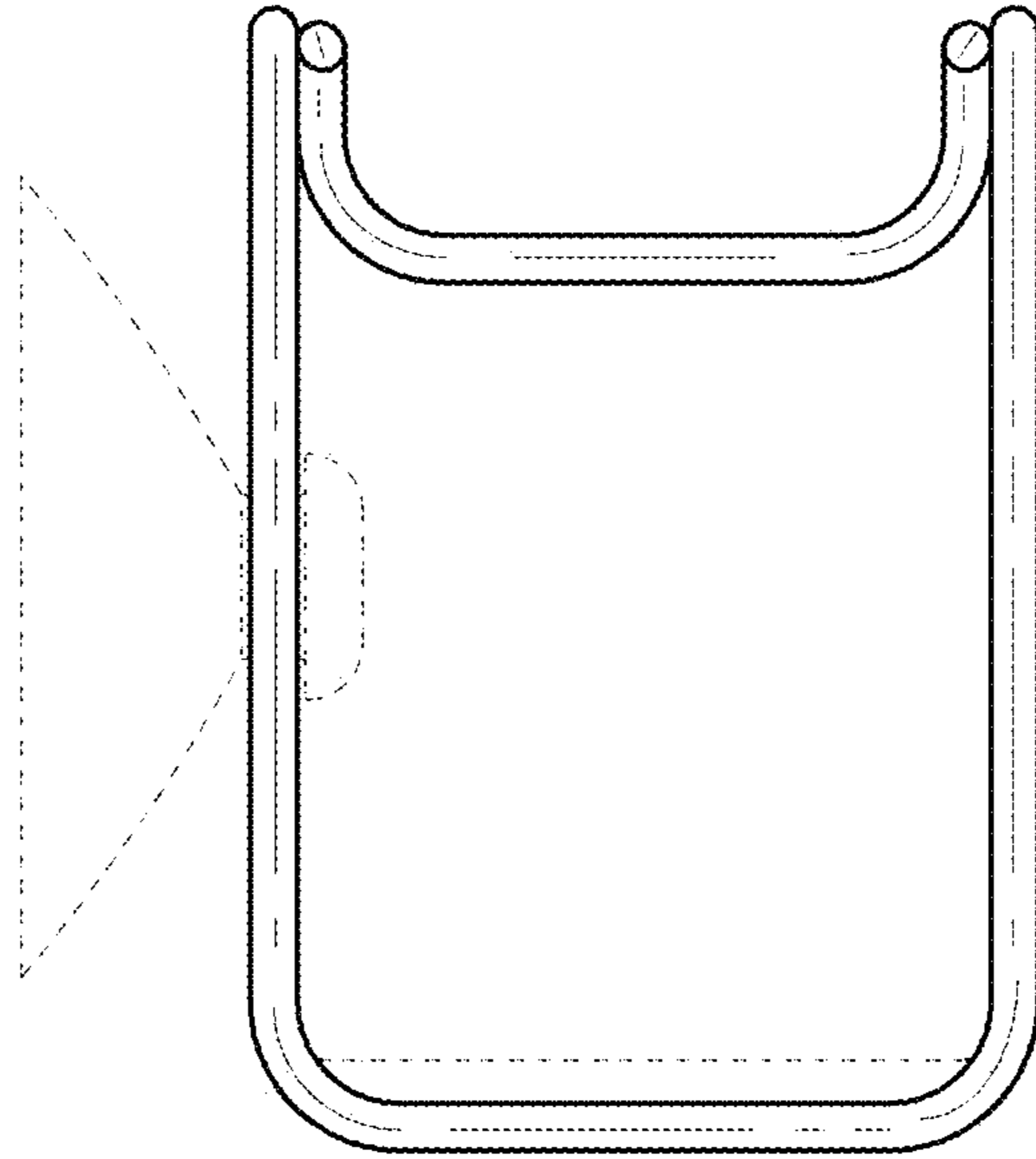


FIG. 4

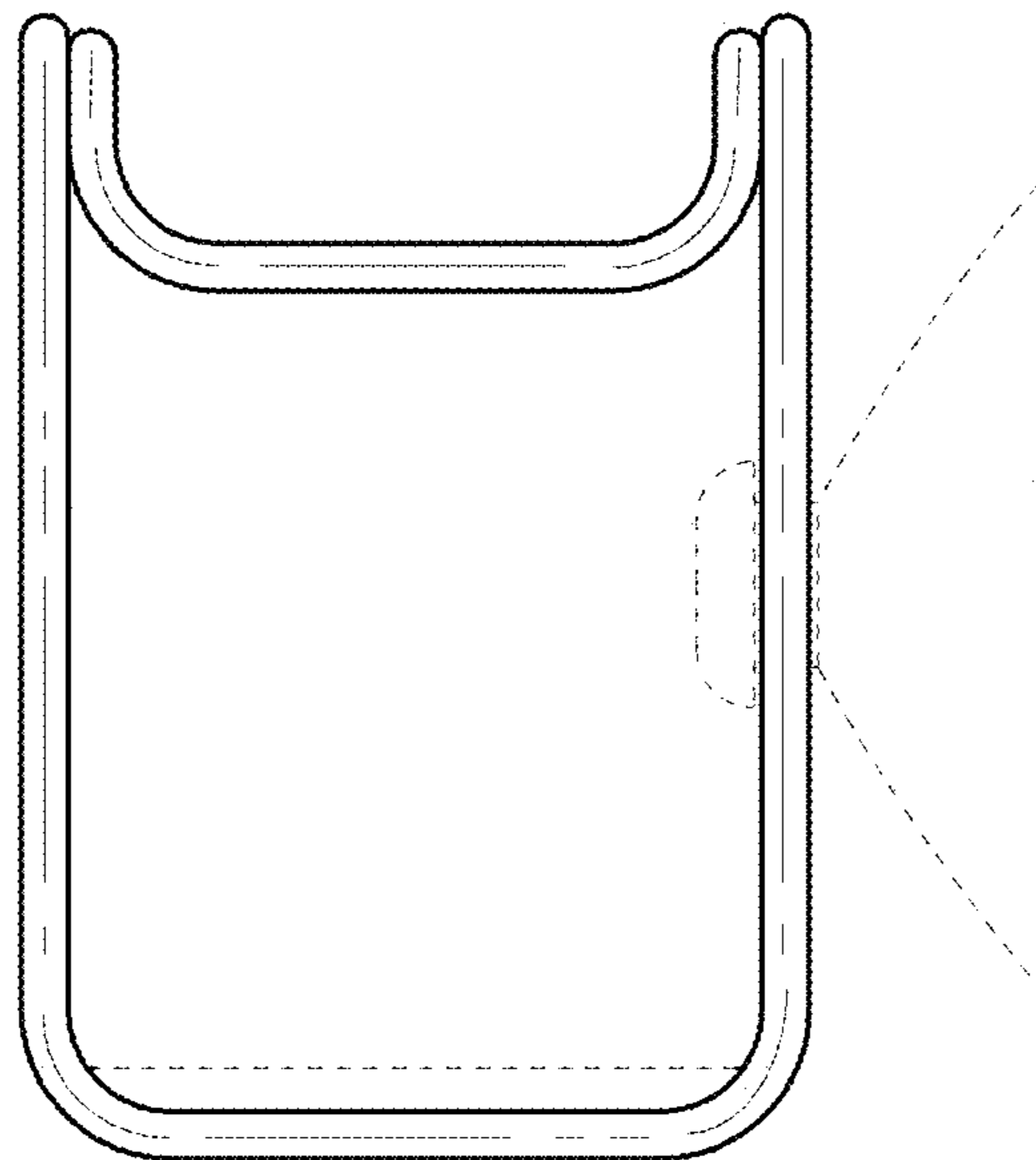


FIG. 5

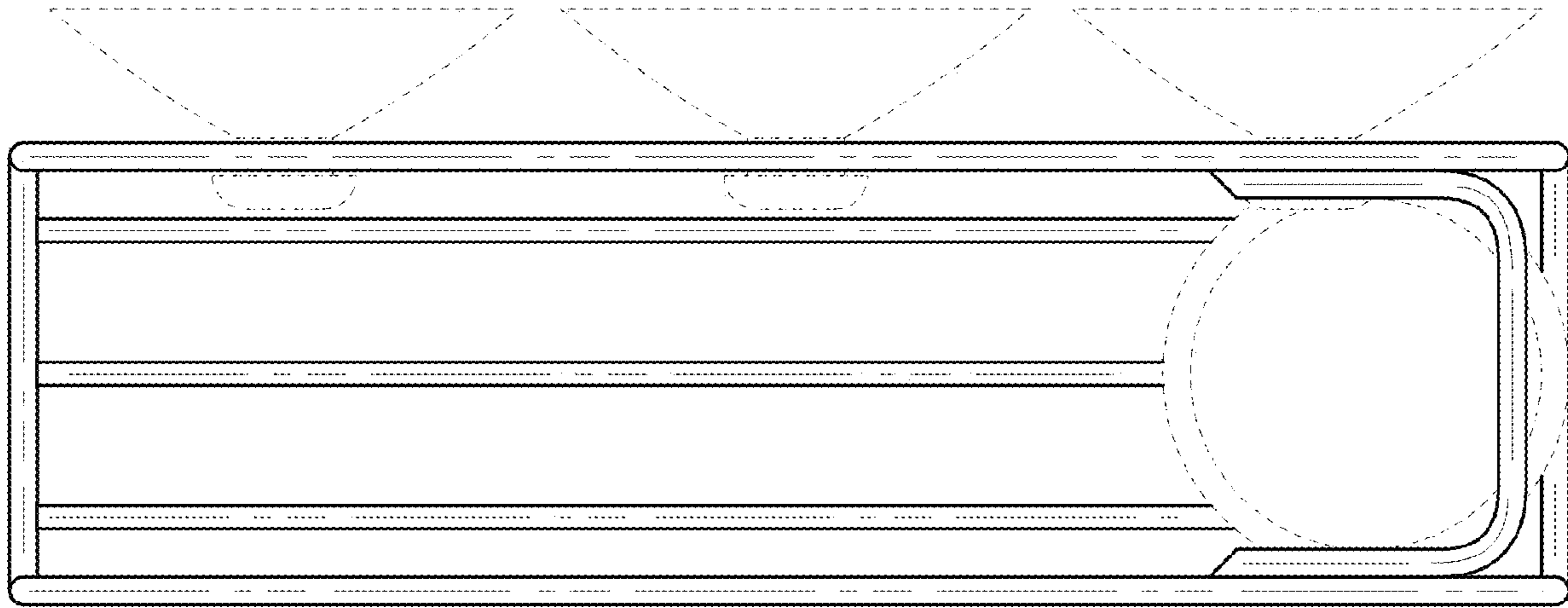


FIG. 6

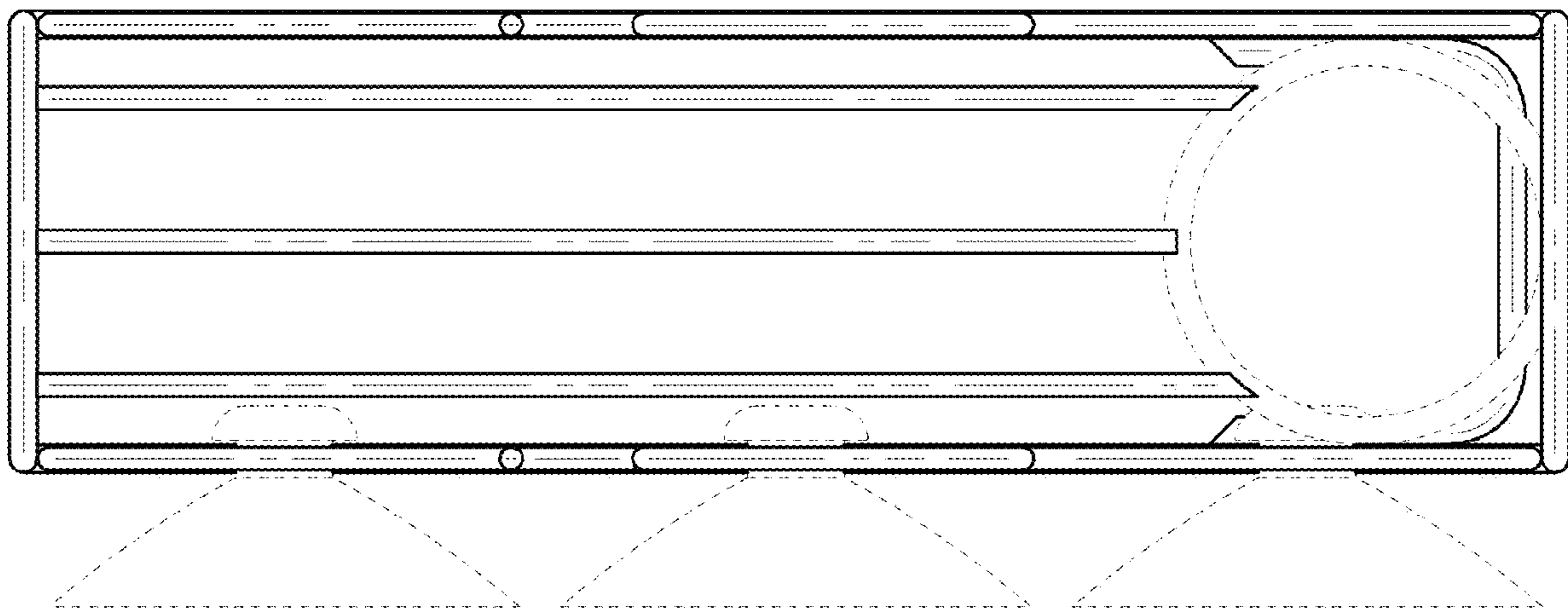


FIG. 7