



US00D917919S

(12) **United States Design Patent**
Davis

(10) **Patent No.:** **US D917,919 S**

(45) **Date of Patent:** **** May 4, 2021**

(54) **GOLF RACK**

(71) Applicant: **Matthew Davis**, Lake Forest, CA (US)

(72) Inventor: **Matthew Davis**, Lake Forest, CA (US)

(**) Term: **15 Years**

(21) Appl. No.: **29/589,509**

(22) Filed: **Jan. 2, 2017**

(51) **LOC (13) Cl.** **06-07**

(52) **U.S. Cl.**
USPC **D6/552**

(58) **Field of Classification Search**
USPC D6/552, 672, 343; D20/10; 211/13.1,
211/60.1, 70.2, 13, 70.4, 70.5, 85.7, 163
CPC A47B 81/00; A63B 71/0045
See application file for complete search history.

(56) **References Cited**

U.S. PATENT DOCUMENTS

D301,511 S * 6/1989 Rainsberger D6/552
D381,541 S * 7/1997 Allendorph D6/552

D401,458 S * 11/1998 Hsia D6/552
6,752,278 B2 * 6/2004 Craft A47B 81/00
211/14
D499,921 S * 12/2004 Moon D6/552
D554,391 S * 11/2007 Kostigian D6/552

* cited by examiner

Primary Examiner — Wan Laymon

Assistant Examiner — Mark Booker

(74) *Attorney, Agent, or Firm* — Steven W. Webb

(57) **CLAIM**

The ornamental design for a golf rack, as shown and described.

DESCRIPTION

FIG. 1 is a perspective view of the golf rack.
FIG. 2 is a front view of the golf rack.
FIG. 3 is the end view of the golf rack.
FIG. 4 is back view of the golf rack.
FIG. 5 is a top-down view of the golf rack; and,
FIG. 6 is a bottom-up view of the golf rack.

1 Claim, 5 Drawing Sheets

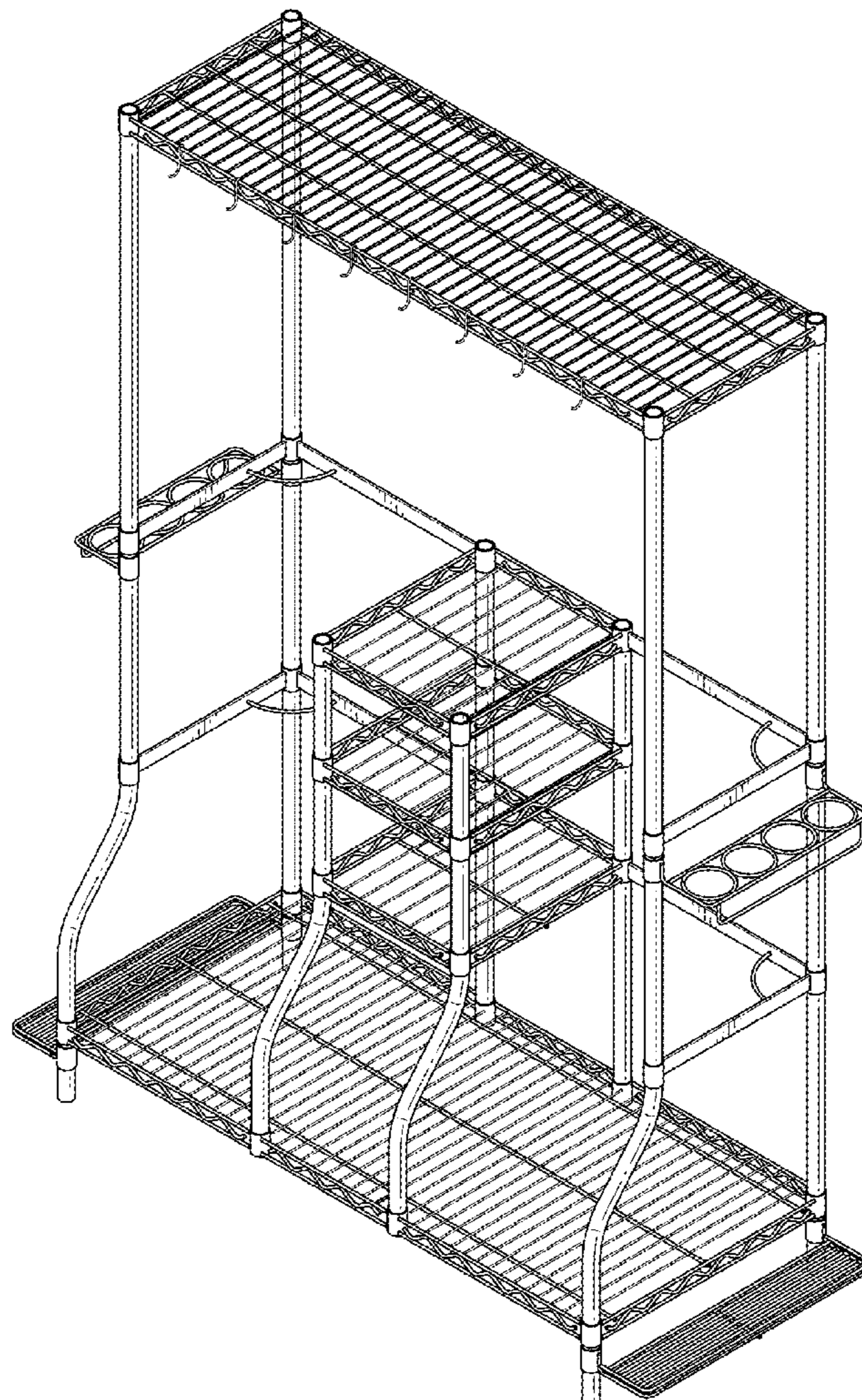


FIG. 1

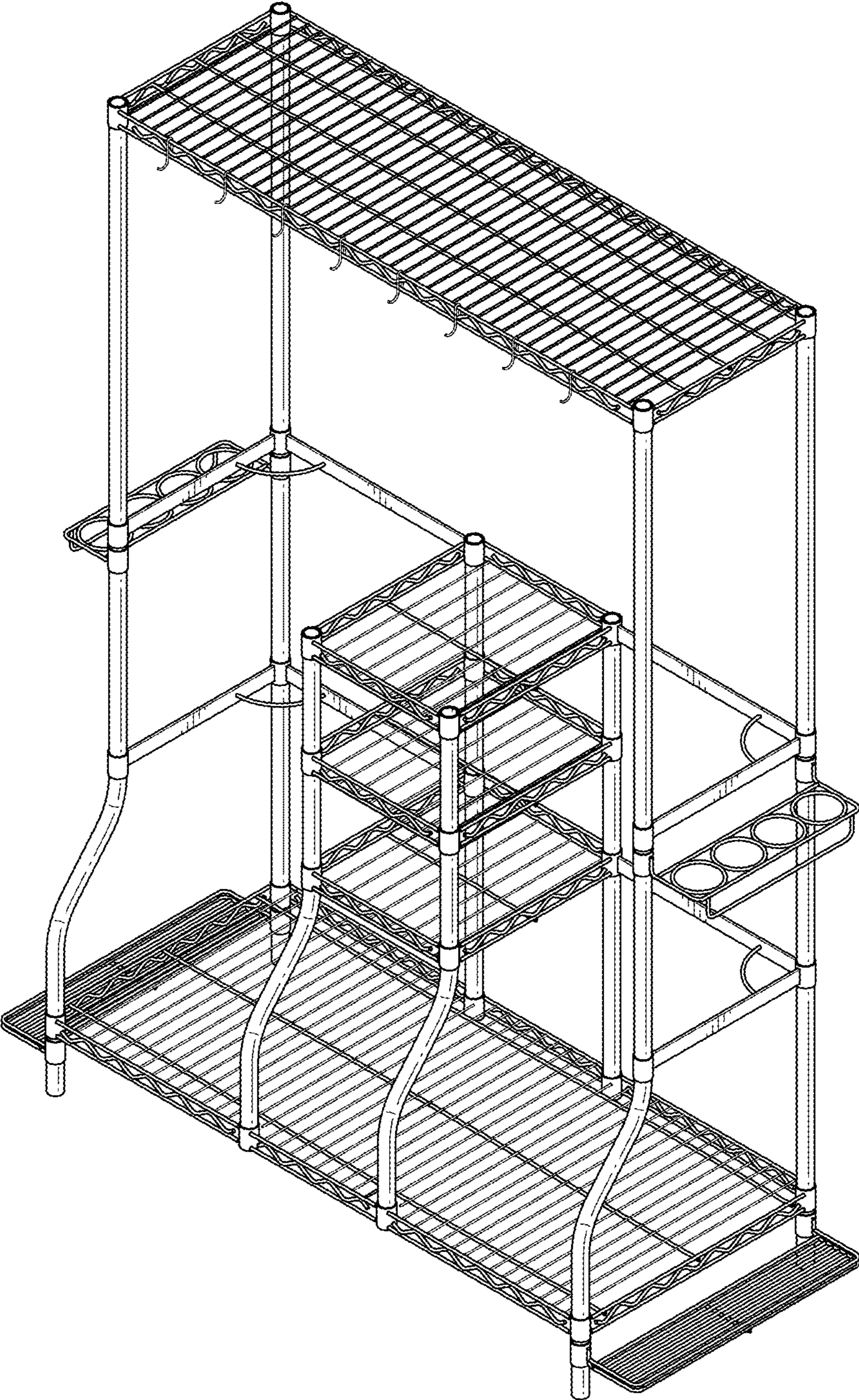


FIG. 2

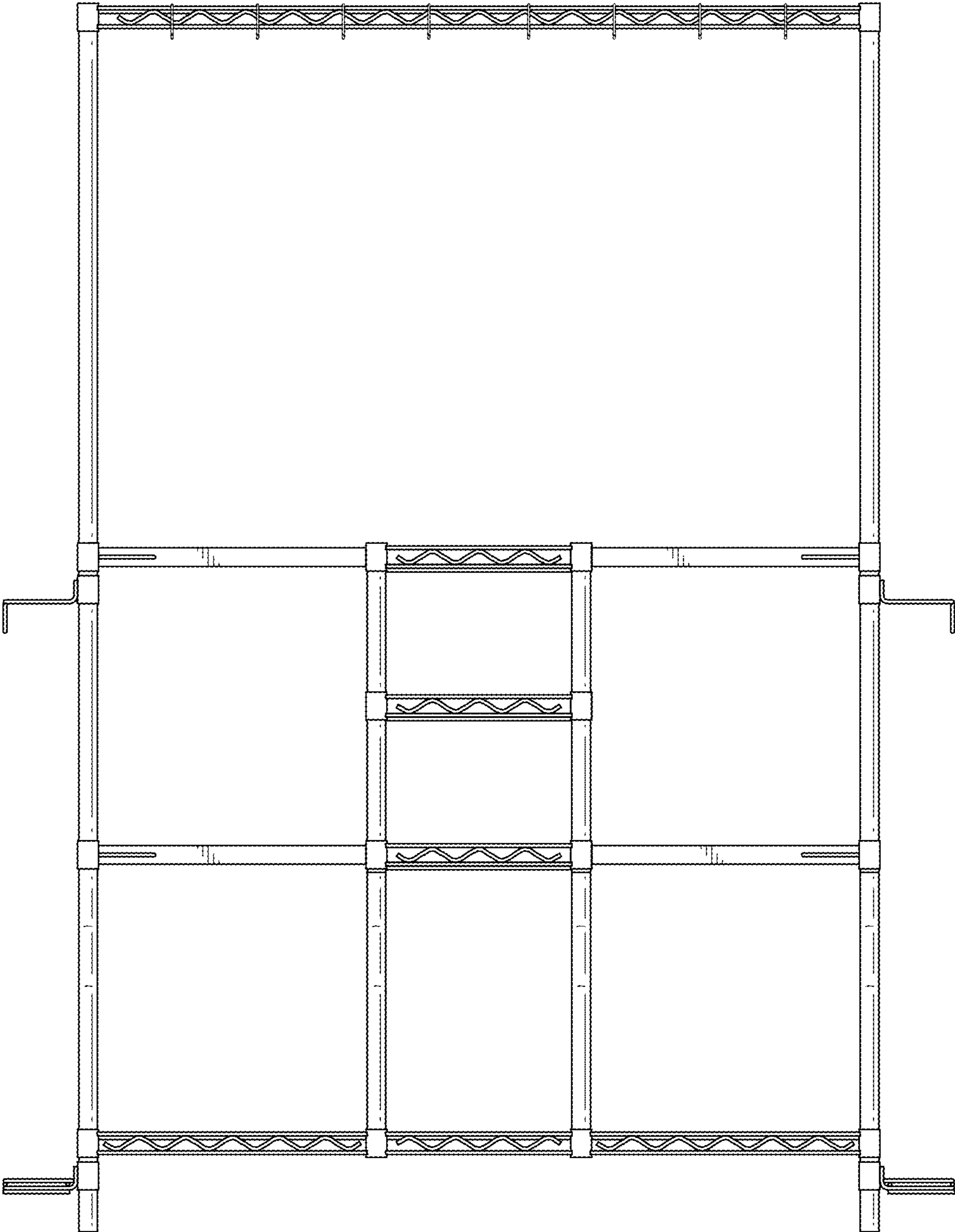


FIG. 3

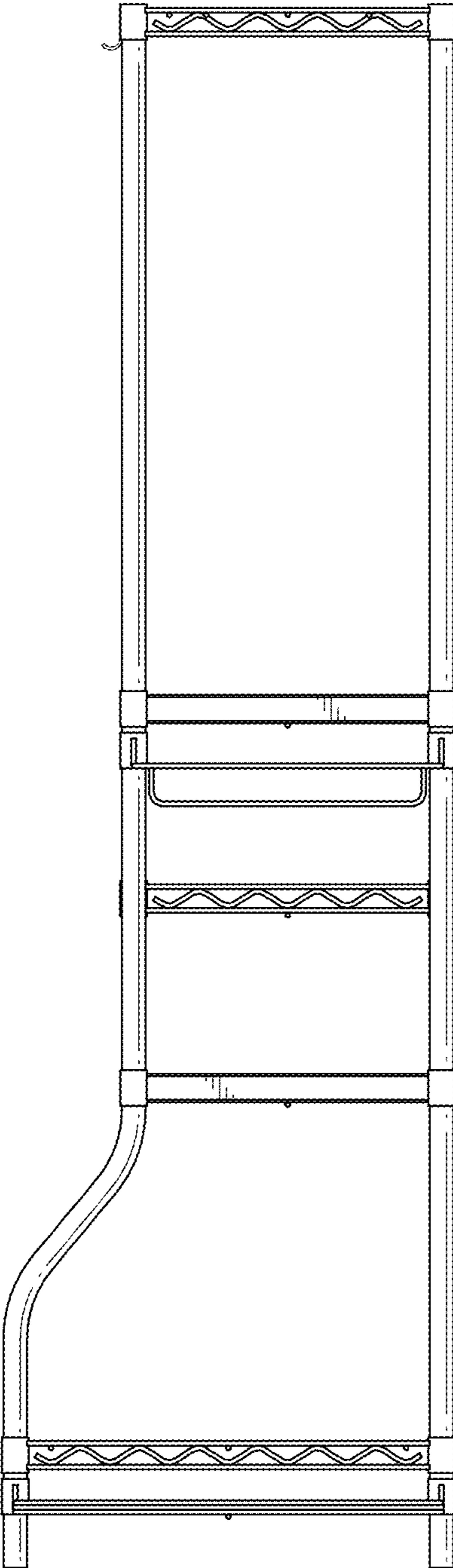


FIG. 4

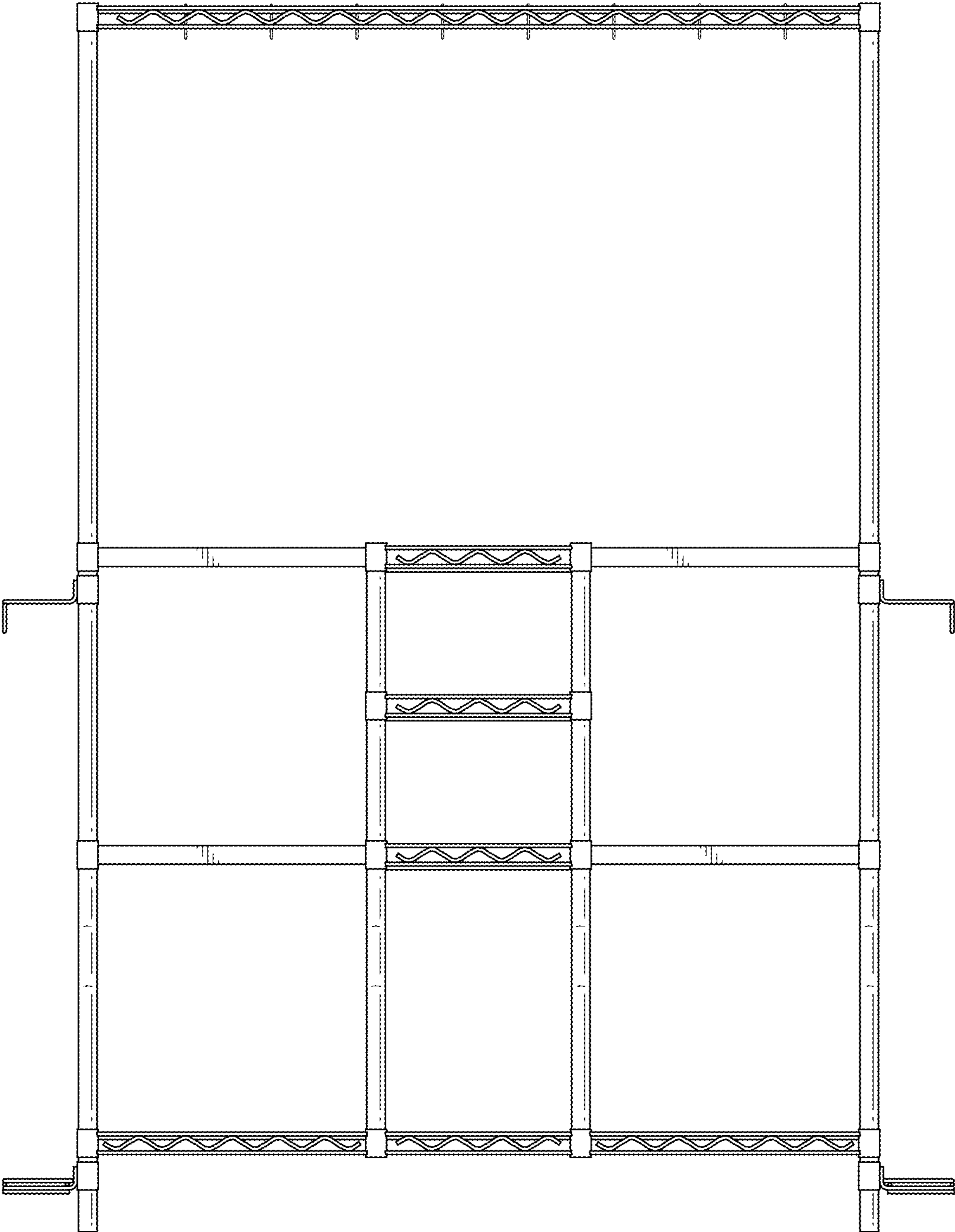


FIG. 5

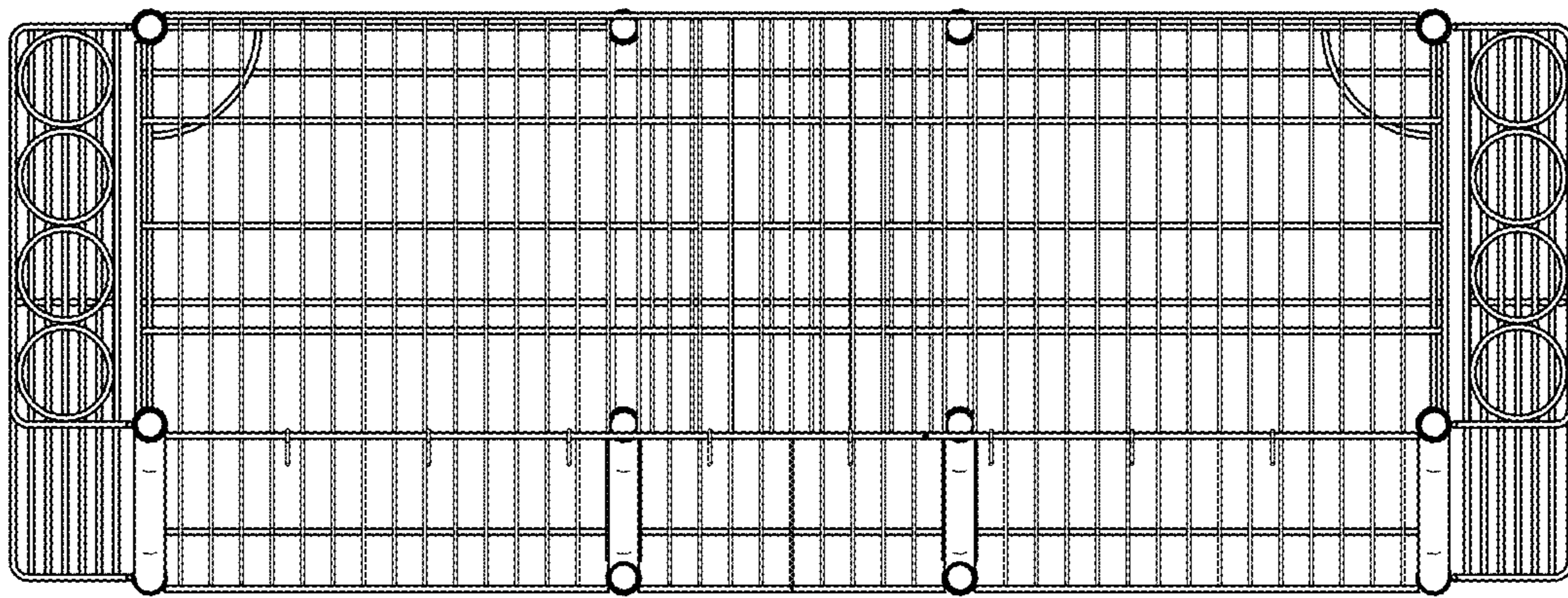


FIG. 6

