



US00D917915S

(12) **United States Design Patent**  
**Lau et al.**

(10) **Patent No.:** **US D917,915 S**

(45) **Date of Patent:** **\*\* May 4, 2021**

- (54) **DISC CASE**
- (71) Applicant: **Finest Products Limited**, Chaiwan (HK)
- (72) Inventors: **Kwok Din Lau**, Chaiwan (HK); **Kwan Ming Jimmy Lau**, Chaiwan (HK)
- (73) Assignee: **Finest Products Limited**, Hong Kong (CN)
- (\*\*) Term: **15 Years**
- (21) Appl. No.: **29/719,408**
- (22) Filed: **Jan. 3, 2020**
- (51) **LOC (13) Cl.** ..... **06-06**
- (52) **U.S. Cl.**  
USPC ..... **D6/407**
- (58) **Field of Classification Search**  
USPC ..... D14/356, 432, 474, 478, 479, 483;  
D6/407, 629, 632  
CPC ..... G11B 23/02; G11B 23/023; G11B 23/03;  
G11B 33/02; G11B 33/022  
See application file for complete search history.

- D457,010 S \* 5/2002 Flores, Jr. .... D6/407
- 6,398,022 B1 \* 6/2002 Mou ..... G11B 33/0427  
206/308.1
- D469,622 S \* 2/2003 Marsilio ..... D6/407
- D532,989 S \* 12/2006 Wells ..... D6/407
- D553,896 S \* 10/2007 Siecke ..... D6/634
- D580,190 S \* 11/2008 Marsilio ..... D6/407
- 2005/0279143 A1 \* 12/2005 Belden, Jr. .... E05B 73/0023  
70/57.1

\* cited by examiner

*Primary Examiner* — Kelley A Donnelly

(74) *Attorney, Agent, or Firm* — Wolf, Greenfield & Sacks, P.C.

(57) **CLAIM**

The ornamental design for a disc case, as shown and described.

**DESCRIPTION**

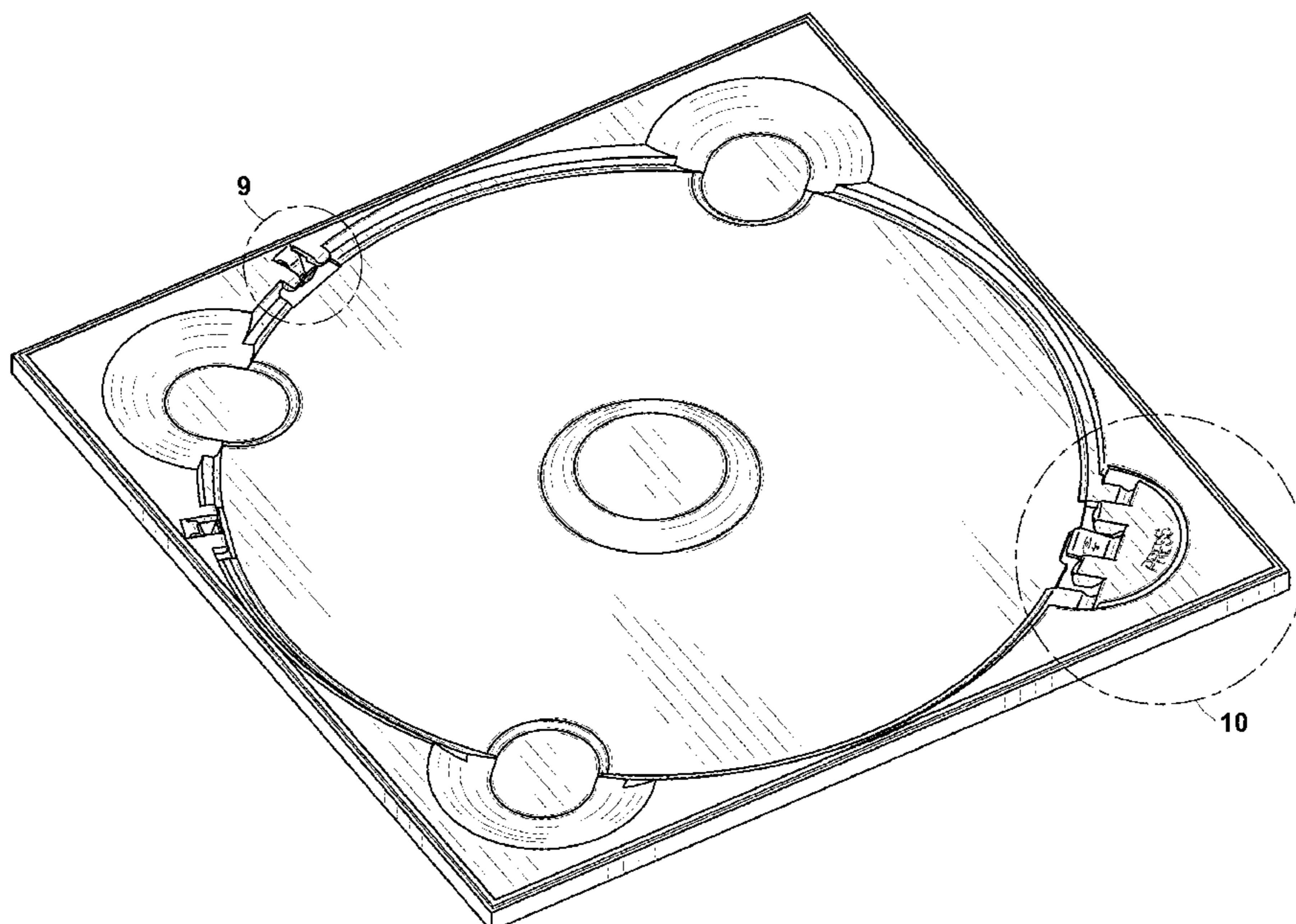
FIG. 1 is a bottom, front and left side perspective view of a disc case according to our new design;  
 FIG. 2 is a bottom, rear and right side perspective view thereof;  
 FIG. 3 is a right side elevation view thereof;  
 FIG. 4 is a front elevation view thereof;  
 FIG. 5 is a left side elevation view thereof;  
 FIG. 6 is a bottom plan view thereof;  
 FIG. 7 is a rear elevation view thereof;  
 FIG. 8 is a top plan view thereof;  
 FIG. 9 is an enlarged view showing a portion 9 in FIG. 1;  
 FIG. 10 is an enlarged view showing a portion 10 in FIG. 1;  
 and,  
 FIG. 11 is a cross-sectional view taken along lines 11-11 in FIG. 4.  
 The broken lines in the drawings show portions of the disc case that form no part of the claimed design.

(56) **References Cited**

**U.S. PATENT DOCUMENTS**

- D376,506 S \* 12/1996 Swanick ..... D6/407
- D379,413 S \* 5/1997 Swanick ..... D6/407
- D408,202 S \* 4/1999 Jacobson ..... D2/632
- 5,960,949 A \* 10/1999 Wynalda, Jr. .... G11B 33/0427  
206/307.1
- D420,832 S \* 2/2000 Cole, Sr. .... D6/407
- D426,721 S \* 6/2000 Benden, Jr. .... D6/407
- D430,424 S \* 9/2000 Belden, Jr. .... D6/407
- D433,266 S \* 11/2000 Peterson ..... D6/407
- 6,250,461 B1 \* 6/2001 Hu ..... G11B 33/0427  
206/308.1

**1 Claim, 6 Drawing Sheets**



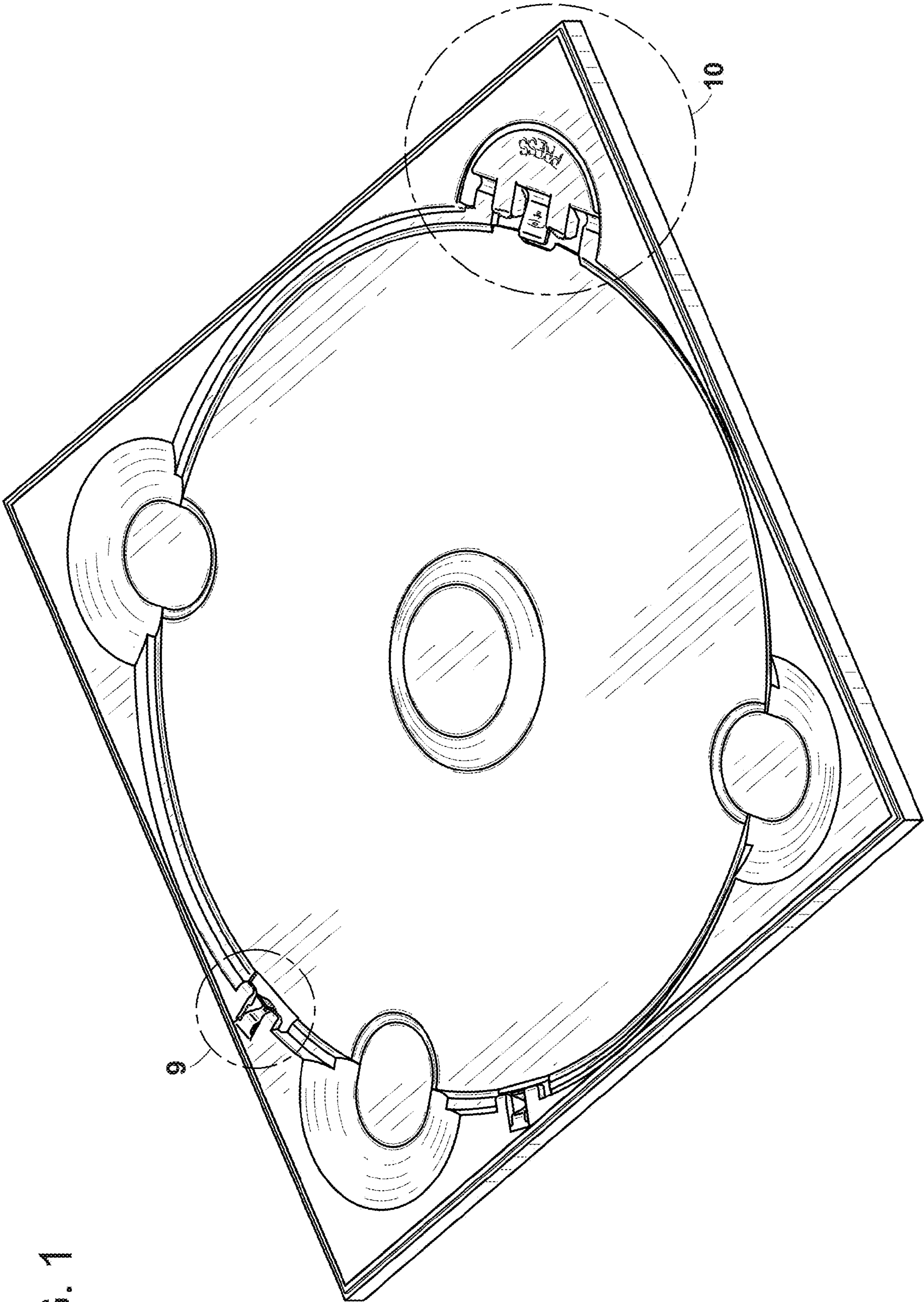


FIG. 1

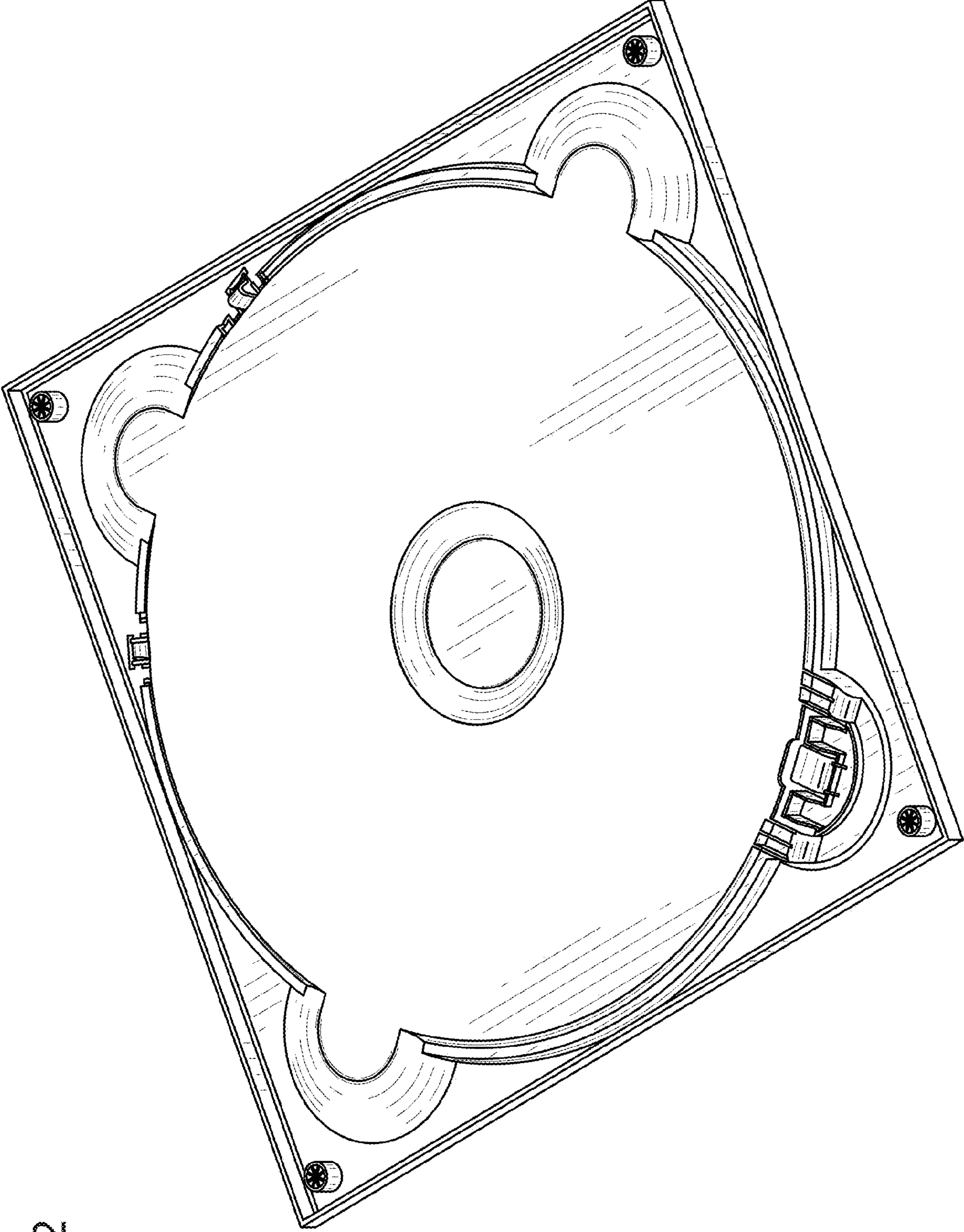


FIG. 2

FIG. 5



FIG. 4

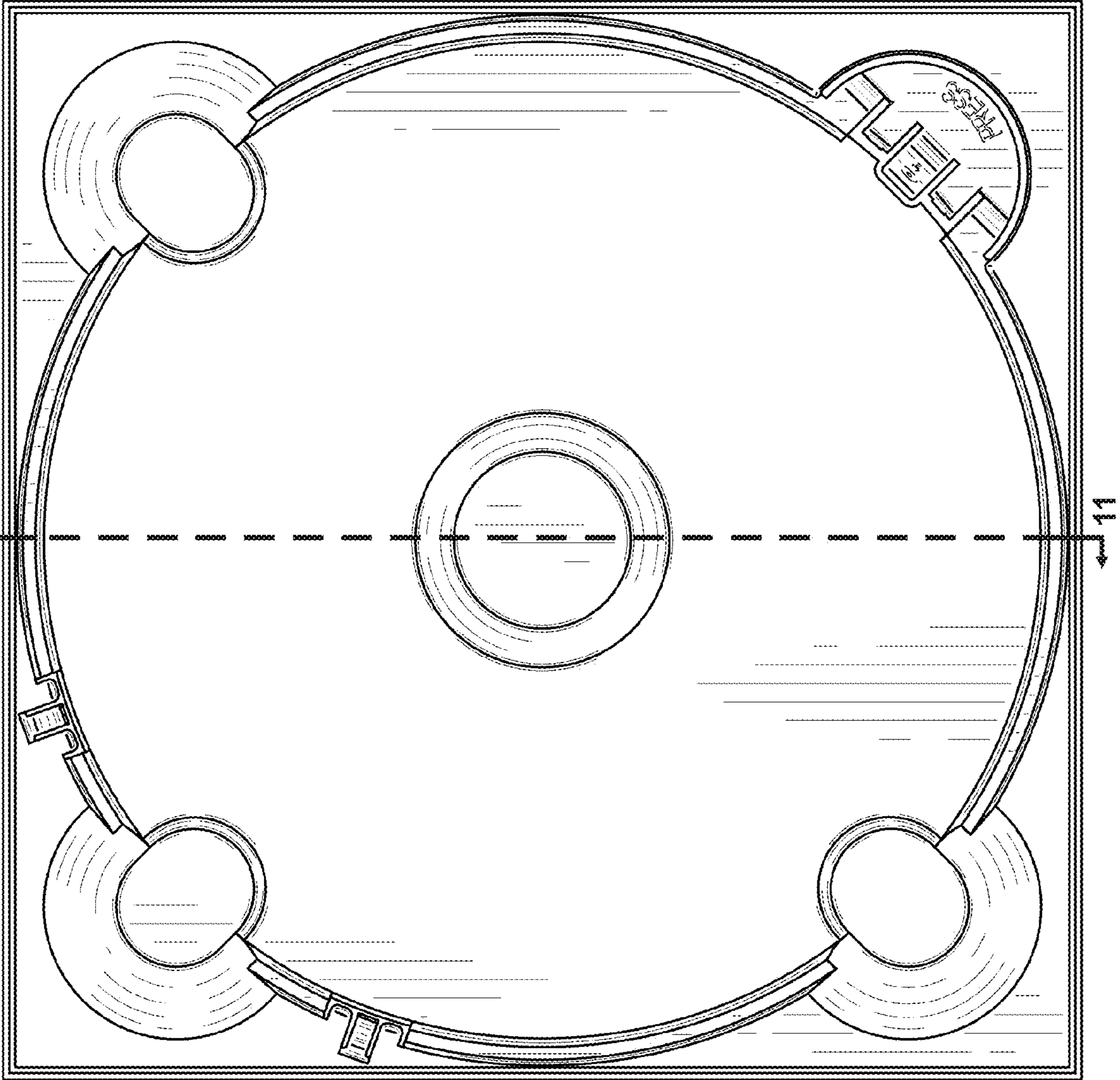


FIG. 3



FIG. 6



FIG. 7

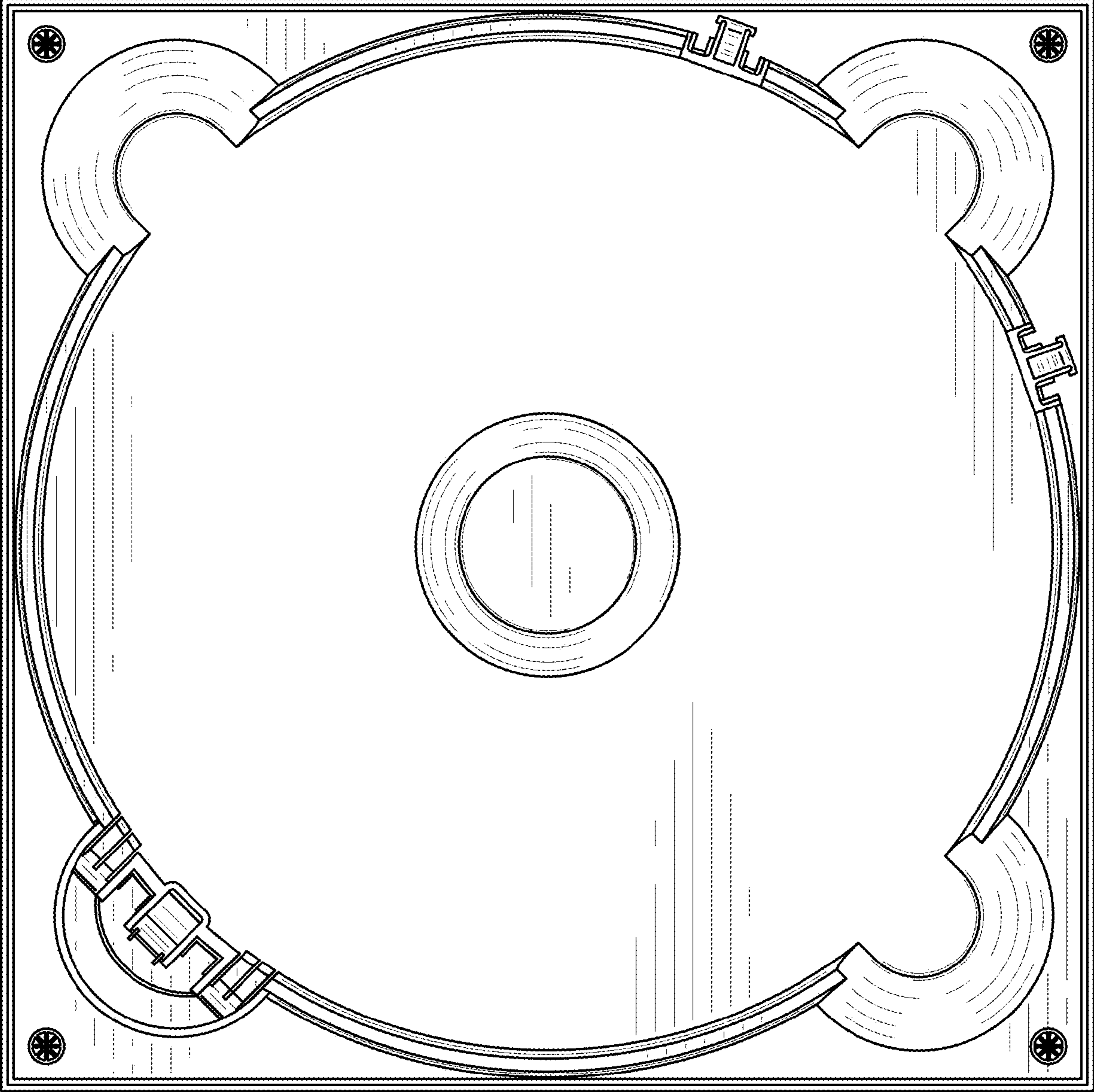


FIG. 8



FIG. 9

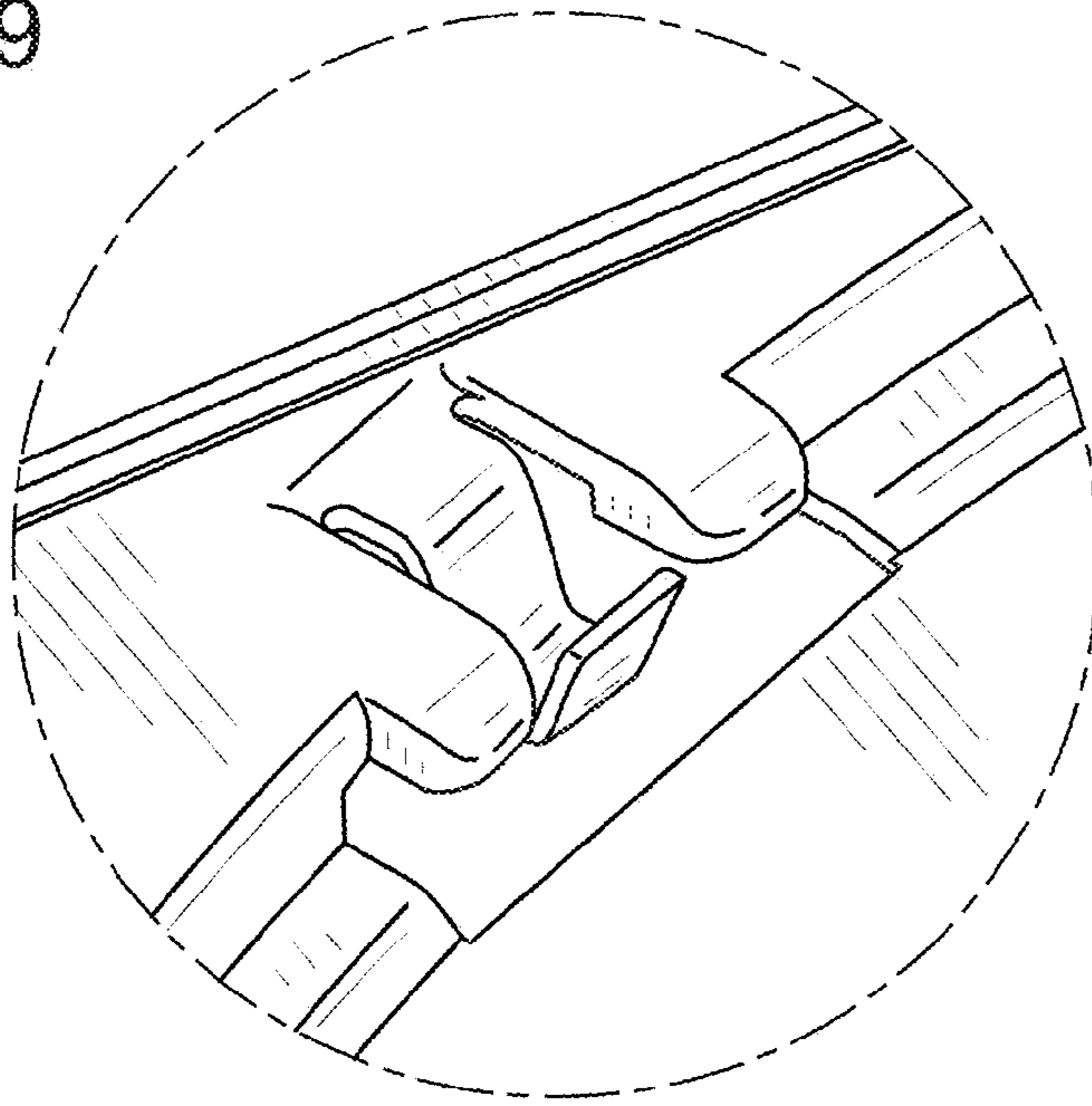


FIG. 10

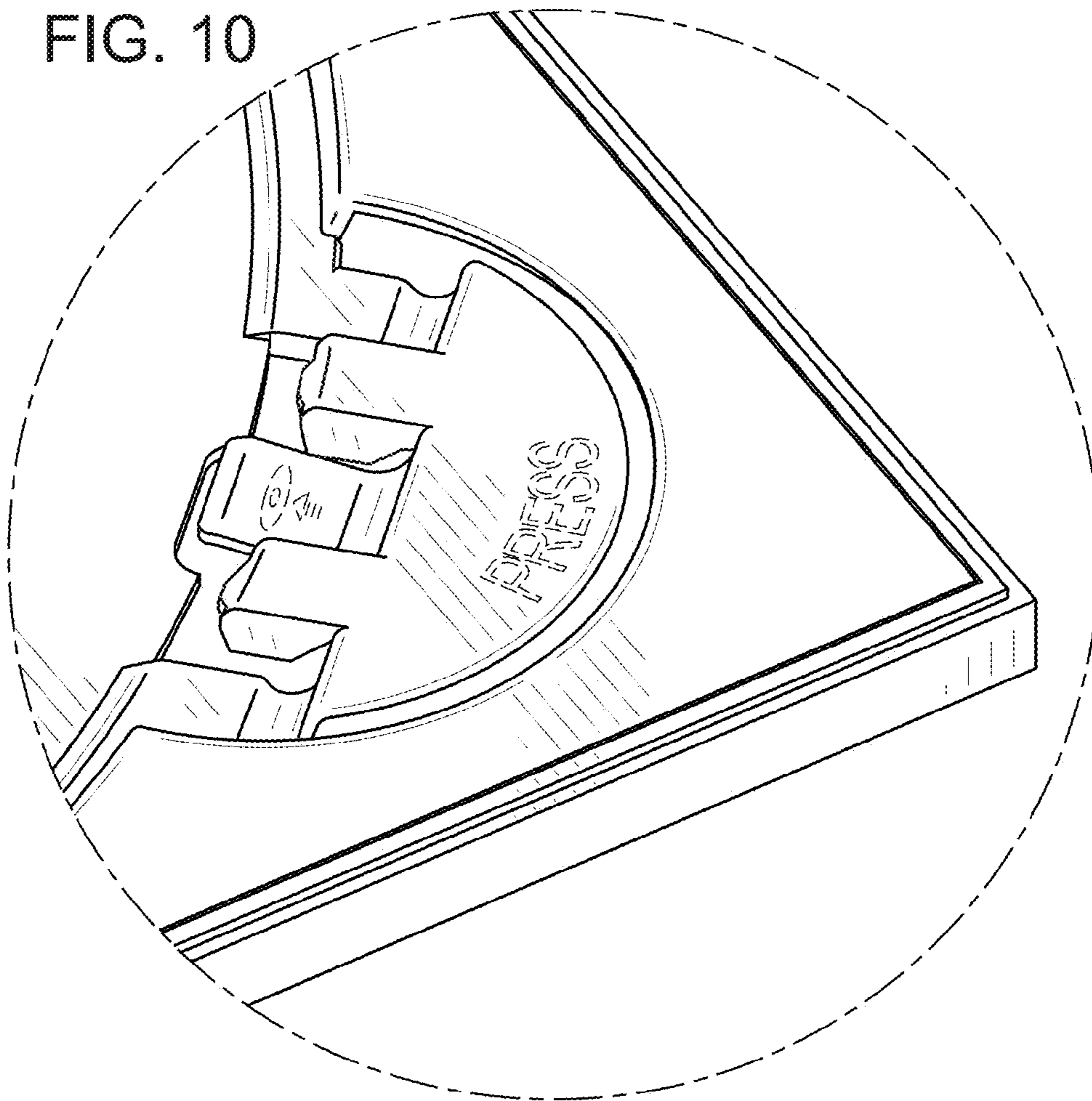




FIG. 11