



US00D917913S

(12) **United States Design Patent**
Zhao et al.

(10) **Patent No.:** **US D917,913 S**

(45) **Date of Patent:** **** May 4, 2021**

(54) **CRIB**
(71) Applicant: **FUJIAN BESREY BABY PRODUCTS CO., LTD.**, Fuqing (CN)

(72) Inventors: **Long Zhao**, Fuqing (CN); **Zhenquan Xiao**, Fuqing (CN); **Zongshuai Li**, Fuqing (CN)

(73) Assignee: **FUJIAN BESREY BABY PRODUCTS CO., LTD.**, Fuqing (CN)

(**) Term: **15 Years**

(21) Appl. No.: **29/749,332**

(22) Filed: **Sep. 4, 2020**

(51) **LOC (13) Cl.** **06-02**

(52) **U.S. Cl.**
USPC **D6/390**

(58) **Field of Classification Search**
USPC D6/331, 333, 390, 718, 718.26, 718.28
CPC . A47D 7/00; A47D 7/002; A47D 9/00; A47D 9/005; A47D 13/063
See application file for complete search history.

(56) **References Cited**

U.S. PATENT DOCUMENTS

630,241	A *	8/1899	Knapp	A47C 3/0255	5/129
D158,030	S *	4/1950	Wagner	D6/391	
2,908,021	A *	10/1959	Fulton	A47D 13/063	5/99.1
3,146,736	A *	9/1964	Hetrick	A47D 9/005	108/176
4,499,619	A *	2/1985	Kassai	A47D 7/002	16/360
4,635,305	A *	1/1987	Wyss	A47D 7/002	5/99.1

4,683,600	A *	8/1987	Beger	A47D 7/002	5/99.1
5,193,234	A *	3/1993	Joaquin	A47D 7/002	5/99.1
6,434,768	B2 *	8/2002	Brown	A47D 13/063	5/99.1

(Continued)

OTHER PUBLICATIONS

“Besrey Baby Bassinet 2 in 1 Lightweight Portable Baby Bed.” Found online Feb. 9, 2021 at www.cribandcradles.com. Page dated Sep. 12, 2019. Retrieved from URL: <https://cribandcradles.com/product/besrey-baby-bassinet-2-in-1-lightweight-portable-baby-bed/> (Year: 2019).*

(Continued)

Primary Examiner — Mary Ann Calabrese
Assistant Examiner — Katelin G Kloberg

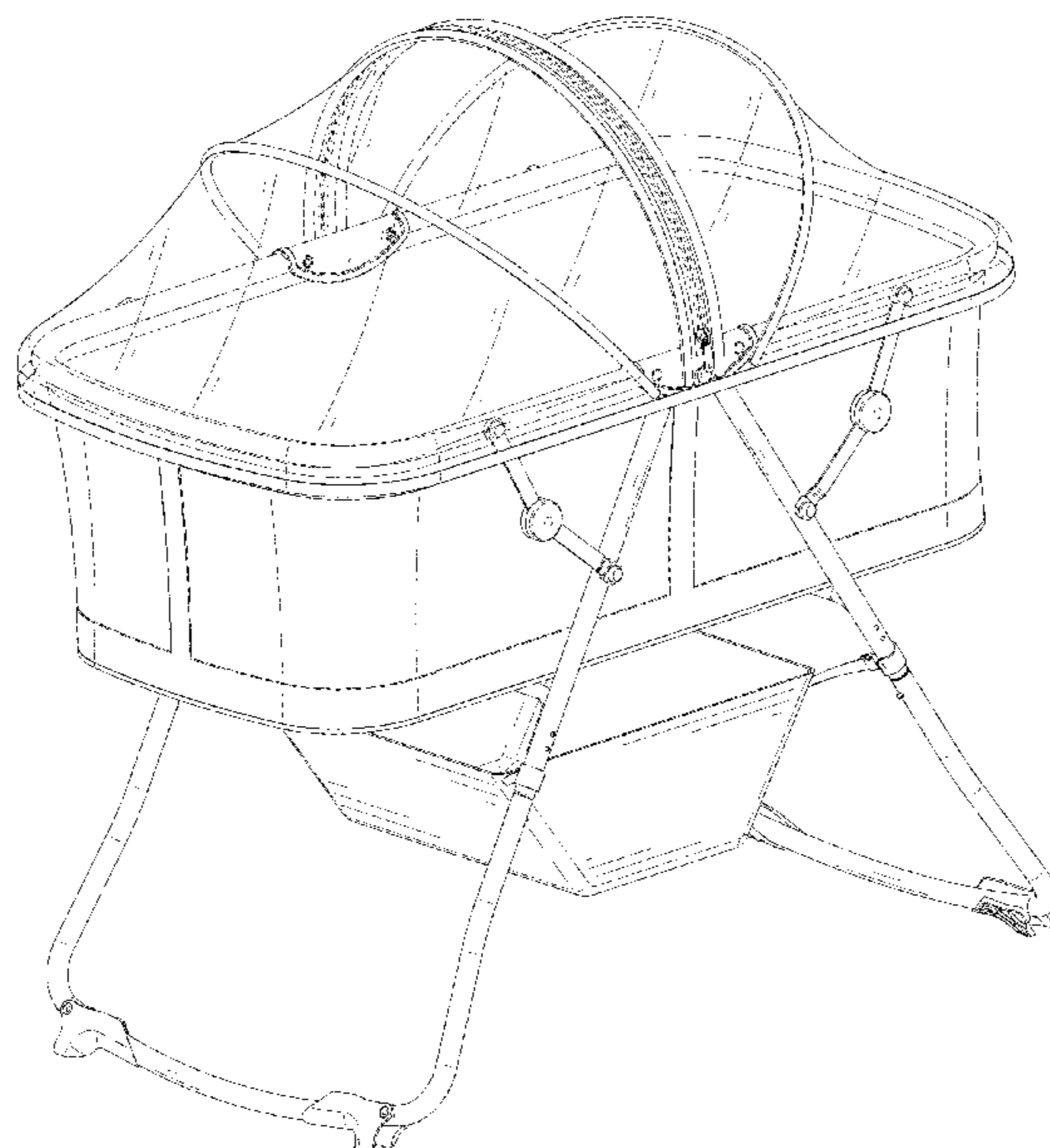
(57) **CLAIM**

The ornamental design for a crib, as shown and described.

DESCRIPTION

FIG. 1 is a top, rear, left side perspective view of a crib showing our new design;
FIG. 2 is a bottom, front, right side perspective view thereof;
FIG. 3 is a front elevational view thereof;
FIG. 4 is a rear elevational view thereof;
FIG. 5 is a left side elevational view thereof;
FIG. 6 is a right side elevational view thereof;
FIG. 7 is a top plan view thereof;
FIG. 8 is a bottom plan view thereof;
FIG. 9 is a top, rear, left side perspective view showing the feet in an alternate position;
FIG. 10 is a bottom, front, right side perspective view thereof; and,
FIG. 11 is an exploded perspective view of the design shown in FIG. 2.
The broken lines in the drawings depict portions of the crib that form no part of the claimed design.

1 Claim, 11 Drawing Sheets



(56)

References Cited

U.S. PATENT DOCUMENTS

6,588,033	B1 *	7/2003	Welsh, Jr.	A47D 7/002 5/93.1
D534,367	S *	1/2007	Peltonen	D6/331
D605,870	S *	12/2009	Bergkvist	D6/390
D640,483	S *	6/2011	Daley	A47D 9/005 D6/390
D678,693	S *	3/2013	Bergkvist	D6/390
9,138,070	B1 *	9/2015	Shamie	A47D 9/005
D880,186	S	4/2020	Rodgers	
D899,130	S *	10/2020	Dolk	D6/391

OTHER PUBLICATIONS

“Besrey Baby Cradle Bassinet Side Cot.” Found online Feb. 9, 2021 at www.amazon.de. Product first available Dec. 16, 2019. Retrieved

from URL: <https://www.amazon.de/-/en/Bassinet-Function-Foldable-Portable-Adjustable/dp/B082TYGVFV> (Year: 2019).*

“Dream On Me Karley Bassinet.” Found online Feb. 9, 2021 at www.amazon.com. Product reviewed Dec. 20, 2013. Retrieved from URL: tinyurl.com/hfduah8b (Year: 2013).*

“Luvlap Star Shine Baby Bassinet.” Found online Feb. 9, 2021 at www.amazon.in. Product first available Jun. 22, 2017. Retrieved from URL: <https://www.amazon.in/Luvlap-Star-Shine-Baby-Gray/dp/B07359NR22> (Year: 2017).*

“YouTube—Compagno Portable Bassinet by Star Kidz Australia.” Found online Feb. 9, 2021 at www.youtube.com. Video published Aug. 12, 2018. Retrieved from URL: <https://www.youtube.com/watch?v=nFXmdBvHJt8&feature=youtu.be> (Year: 2018).*

“YouTube—Baby Delight Go With Me Slumber.” Found online Feb. 9, 2021 at www.youtube.com. Video published Nov. 26, 2019. Retrieved from URL: <https://www.youtube.com/watch?v=byilwOVXuFE&feature=youtu.be> (Year: 2019).*

* cited by examiner

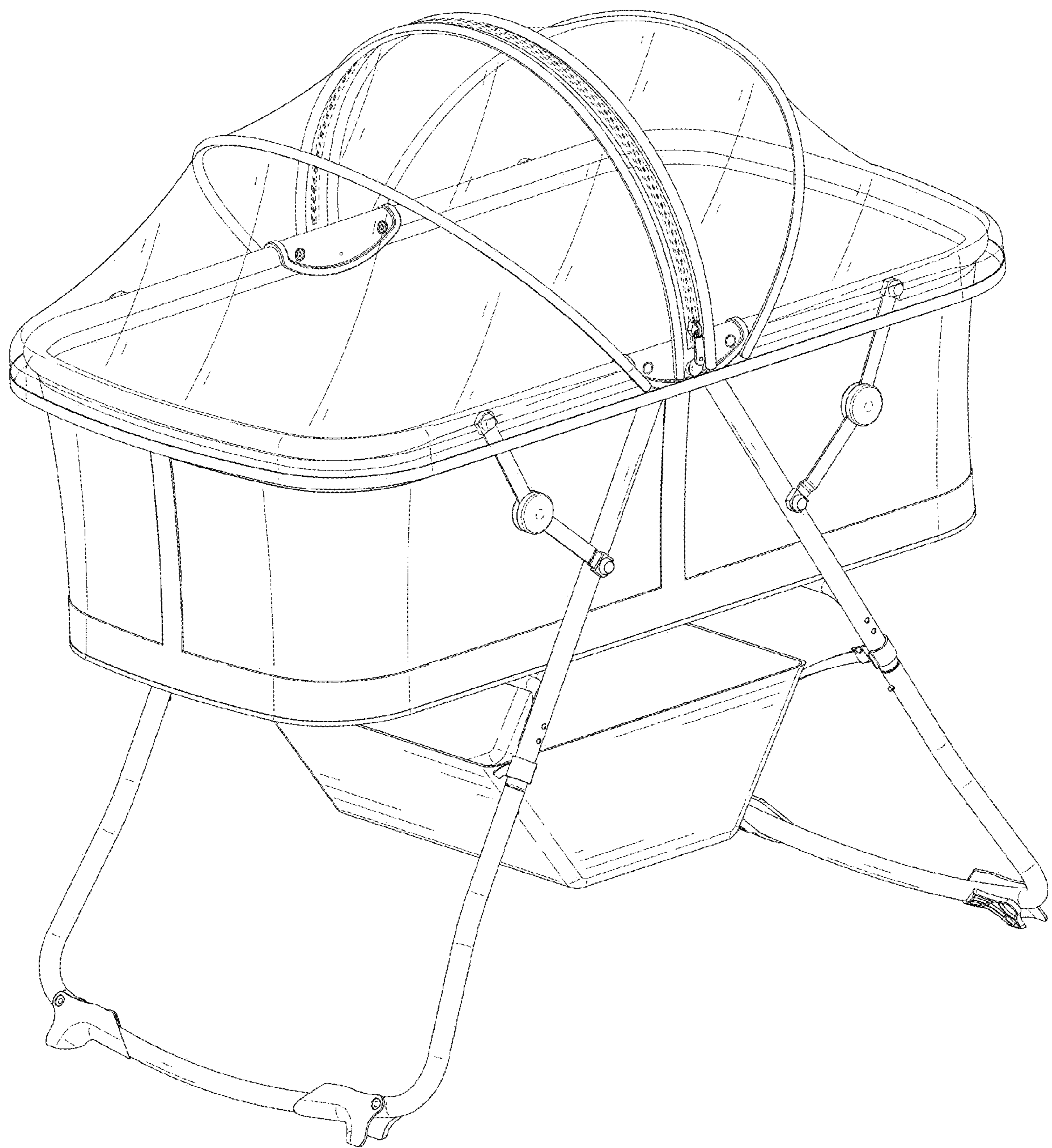


FIG. 1

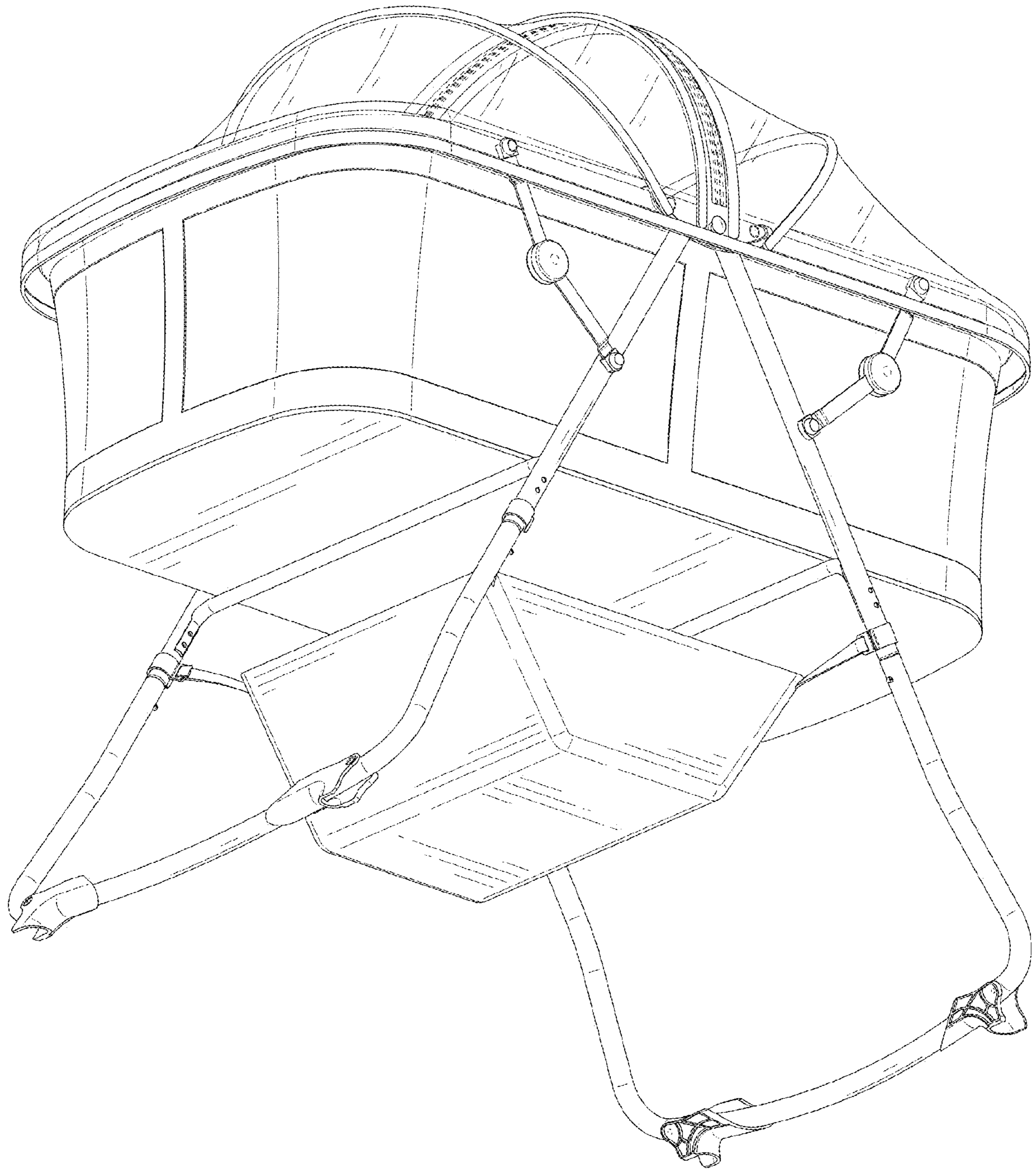


FIG. 2

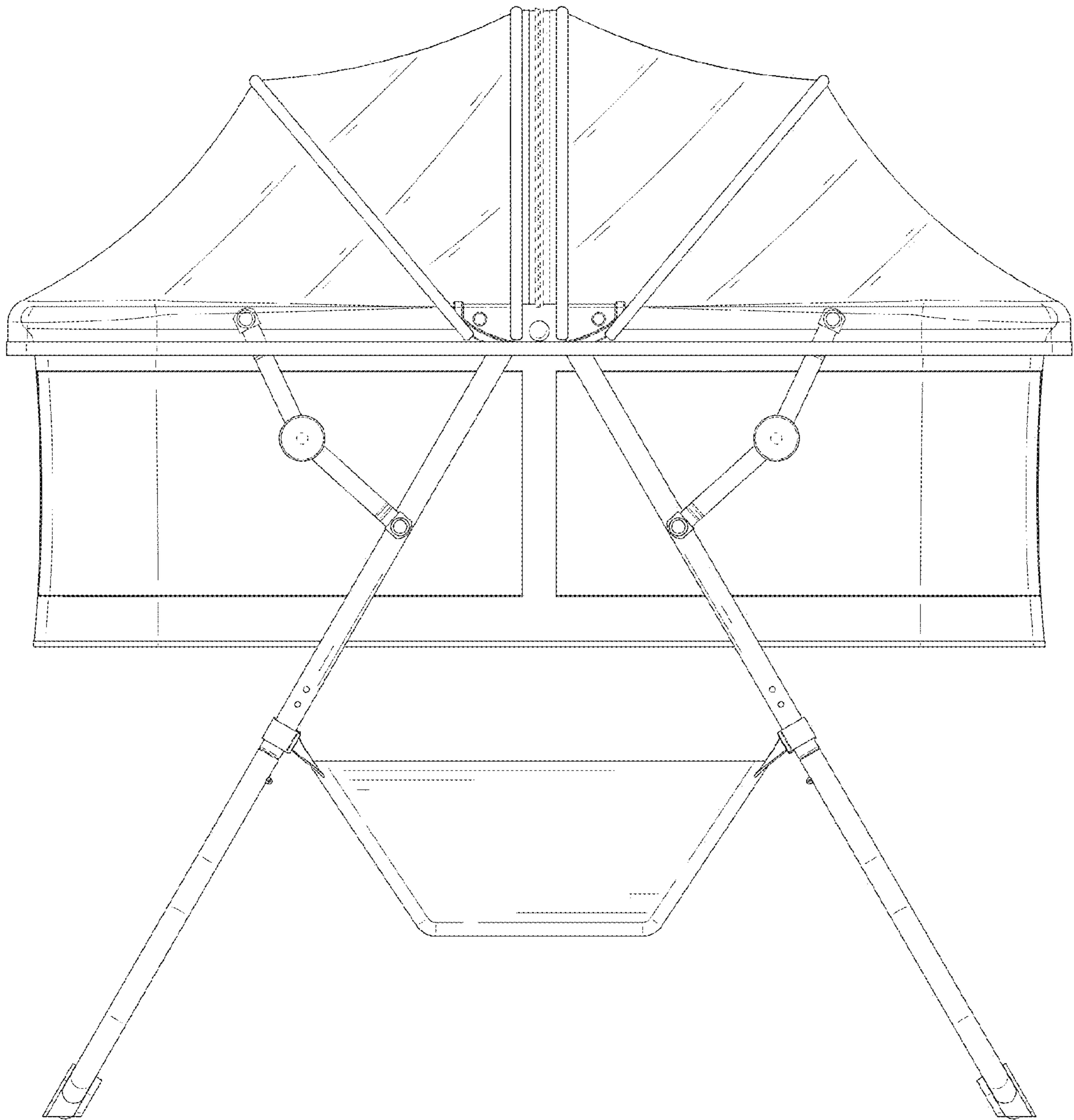


FIG. 3

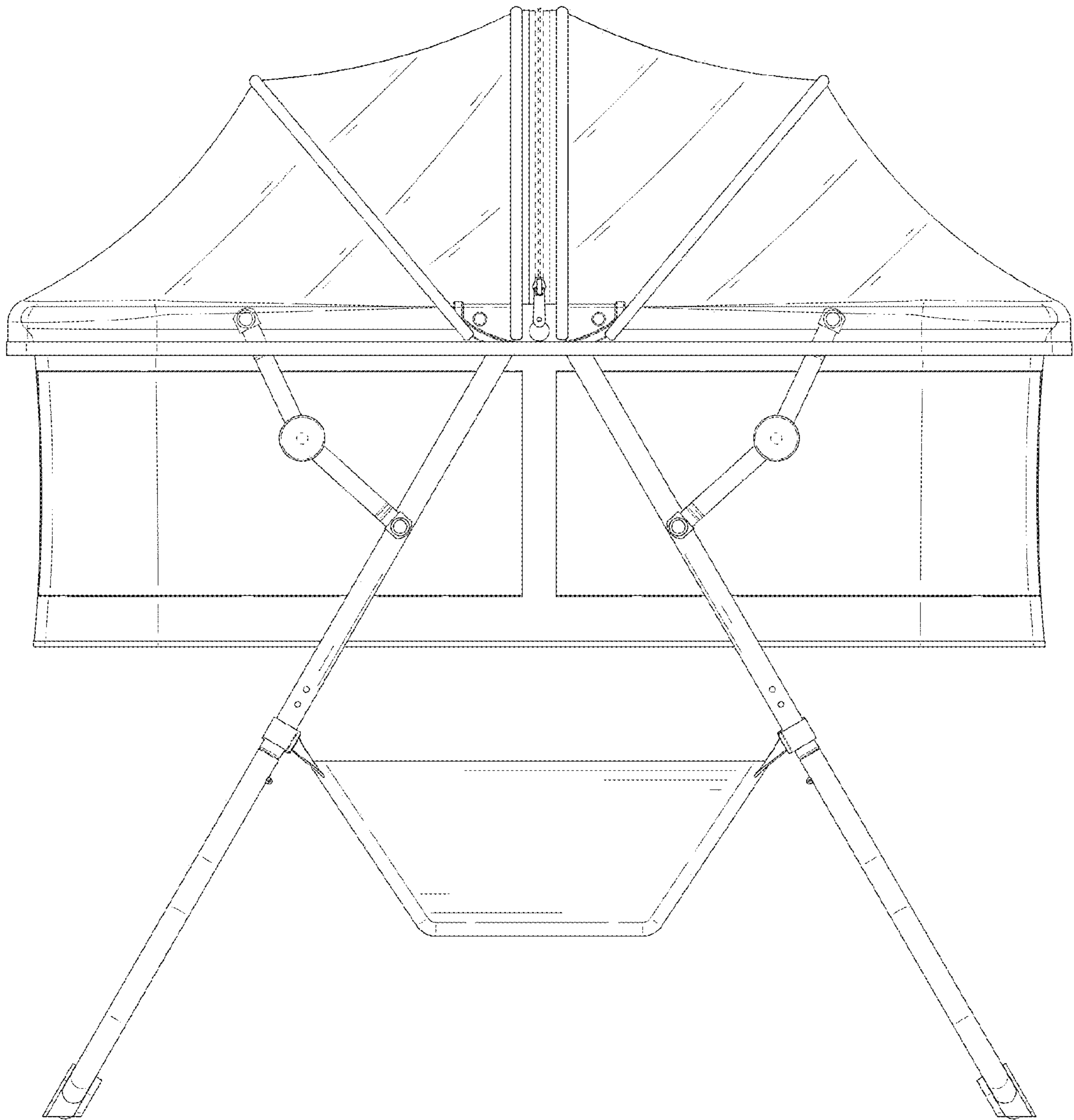


FIG. 4

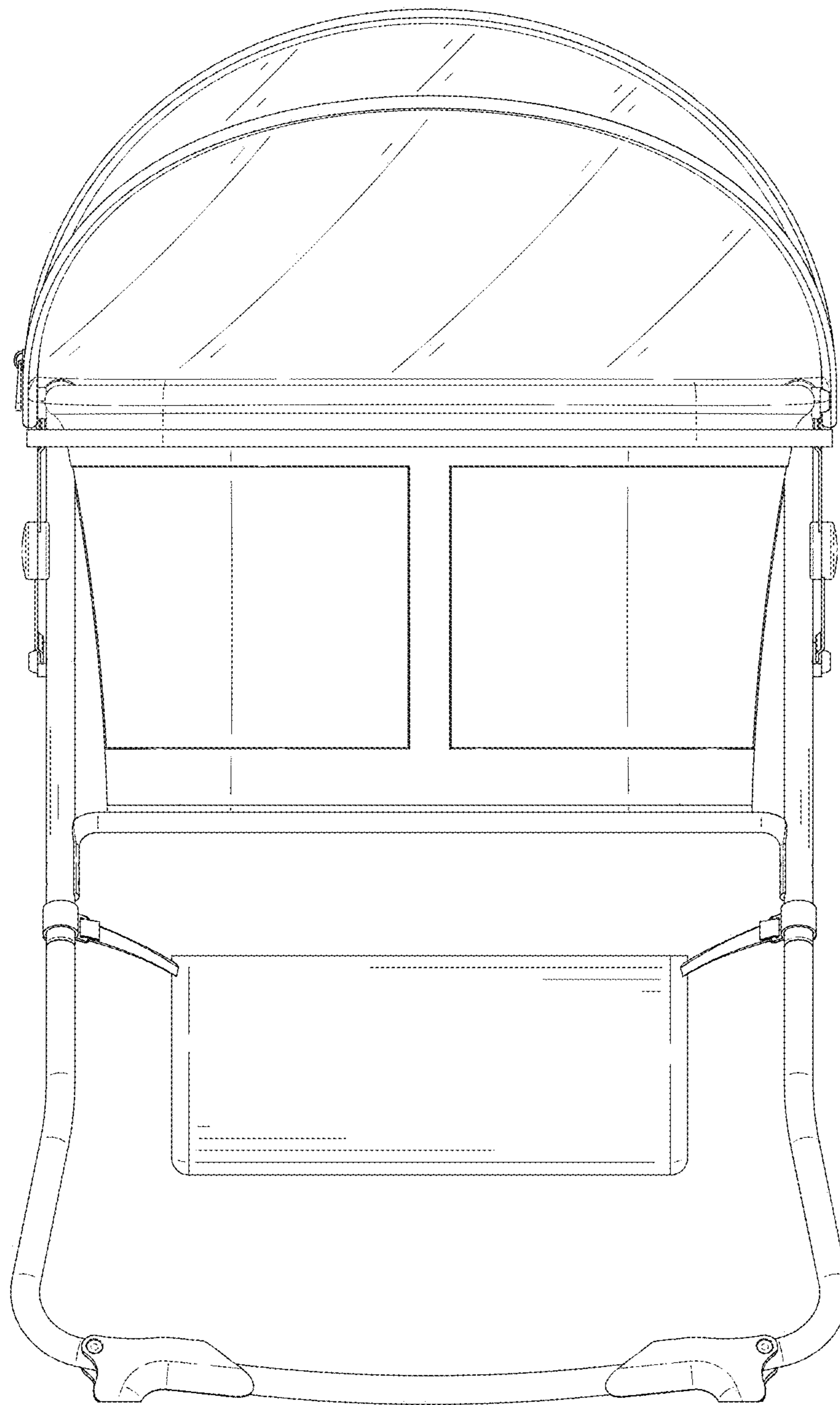


FIG. 5

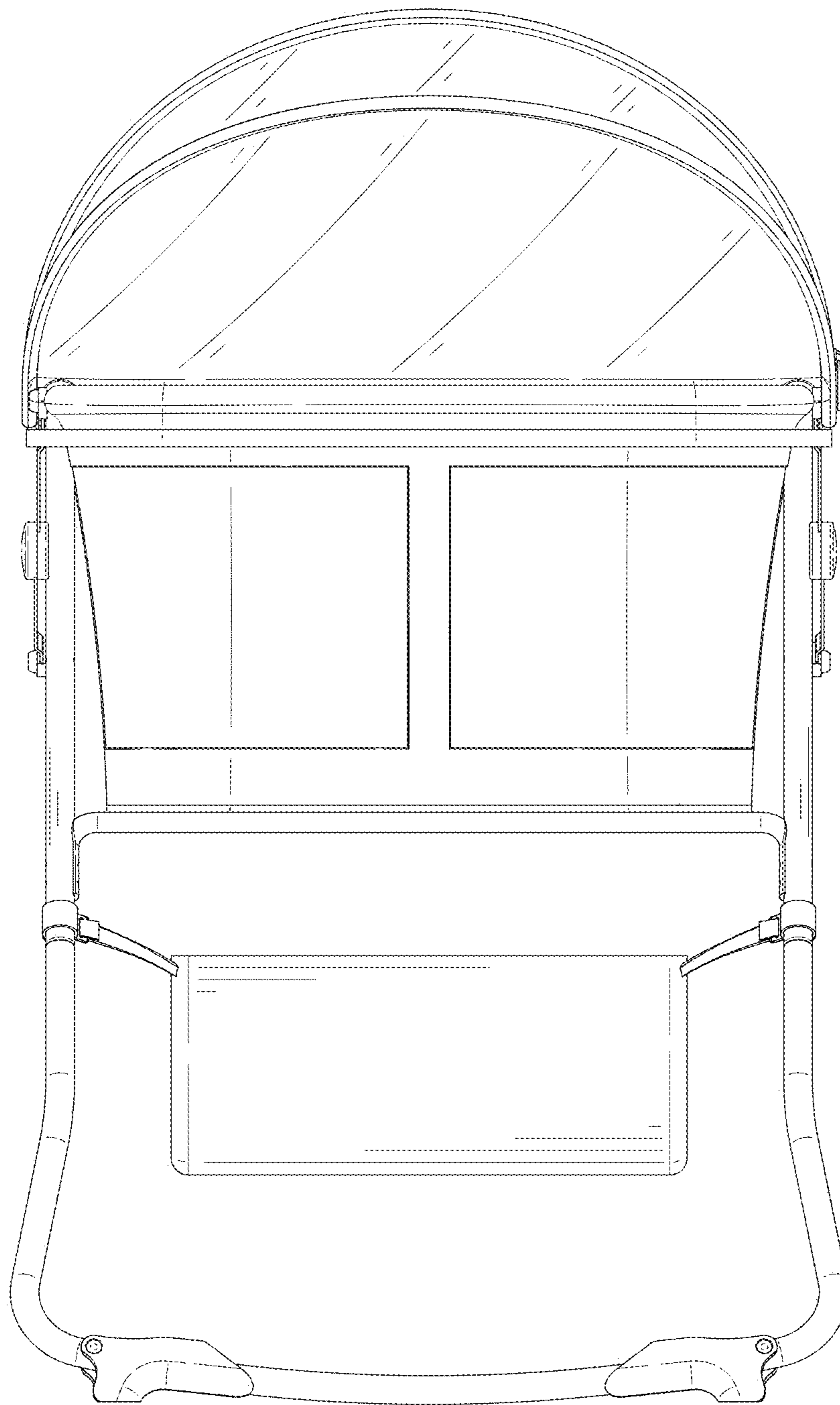


FIG. 6

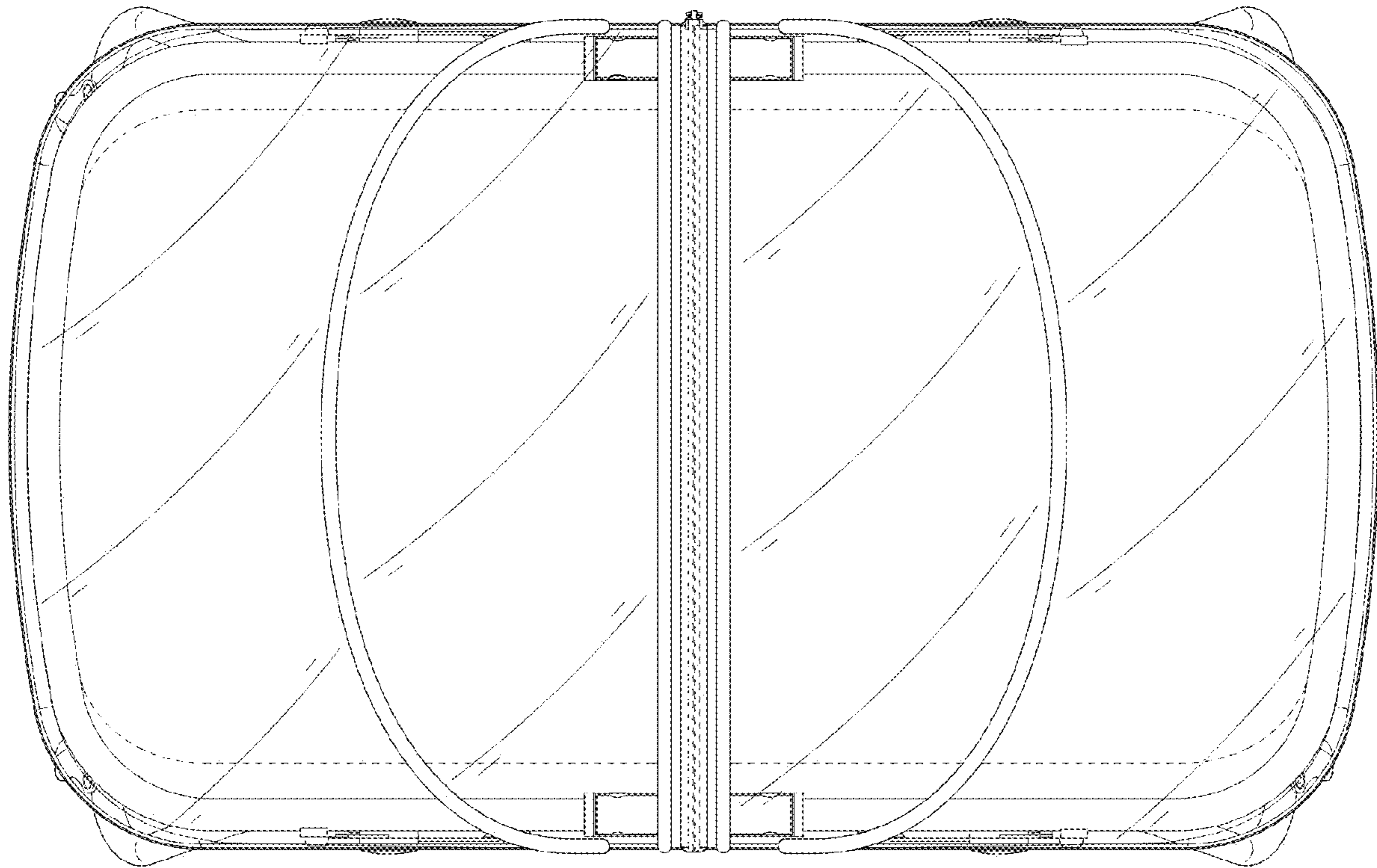


FIG. 7

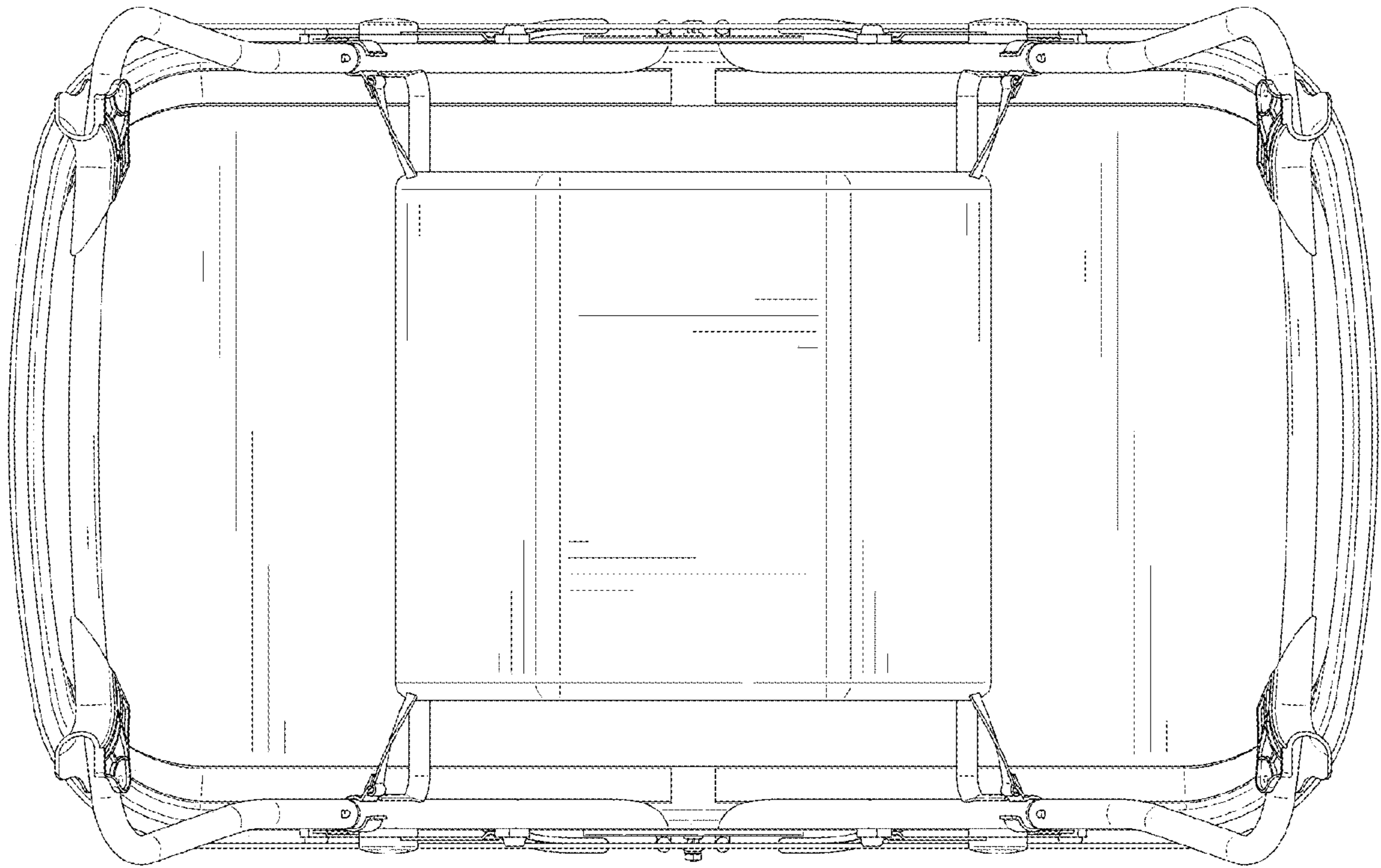


FIG. 8

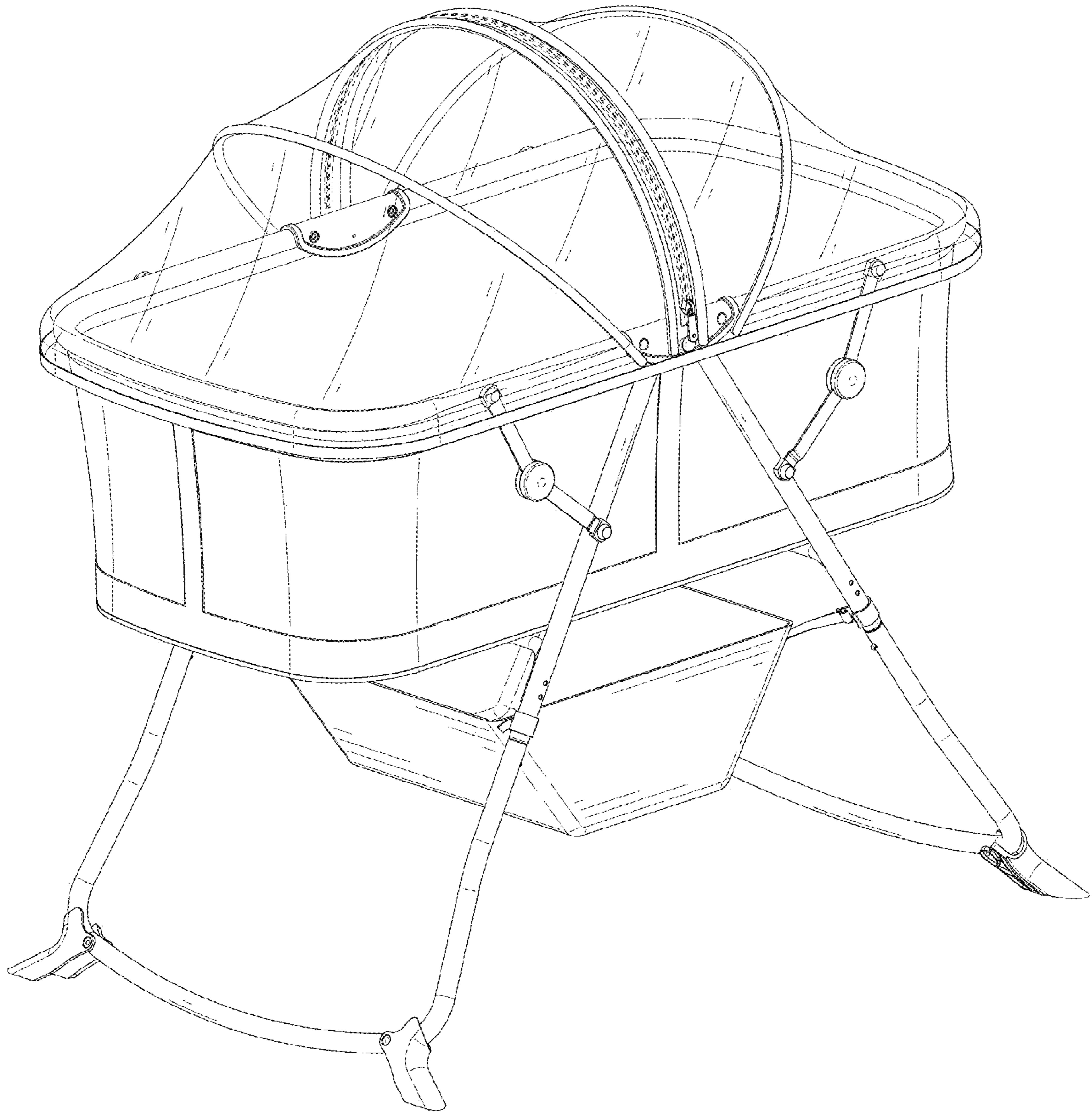


FIG. 9

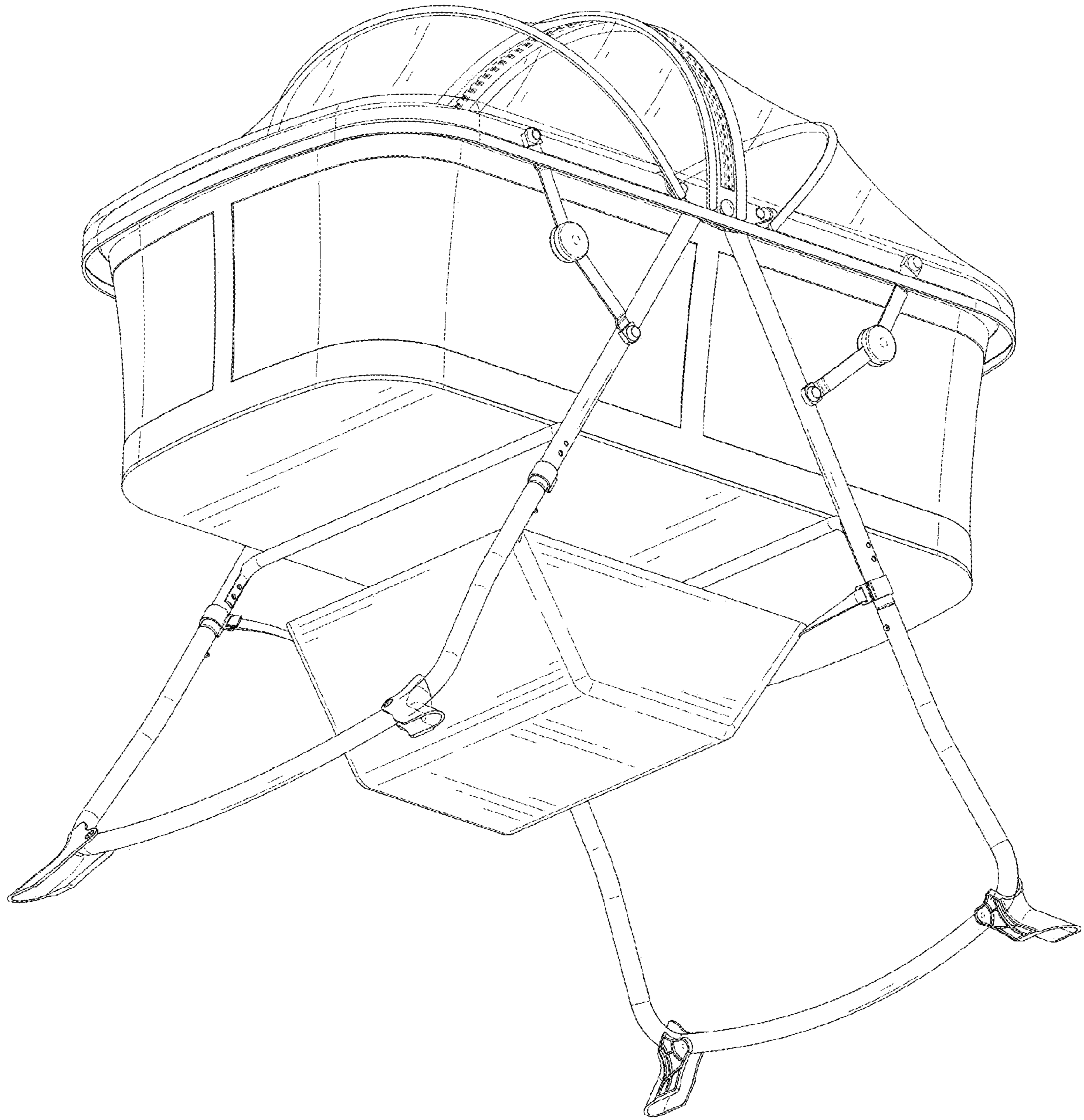


FIG. 10

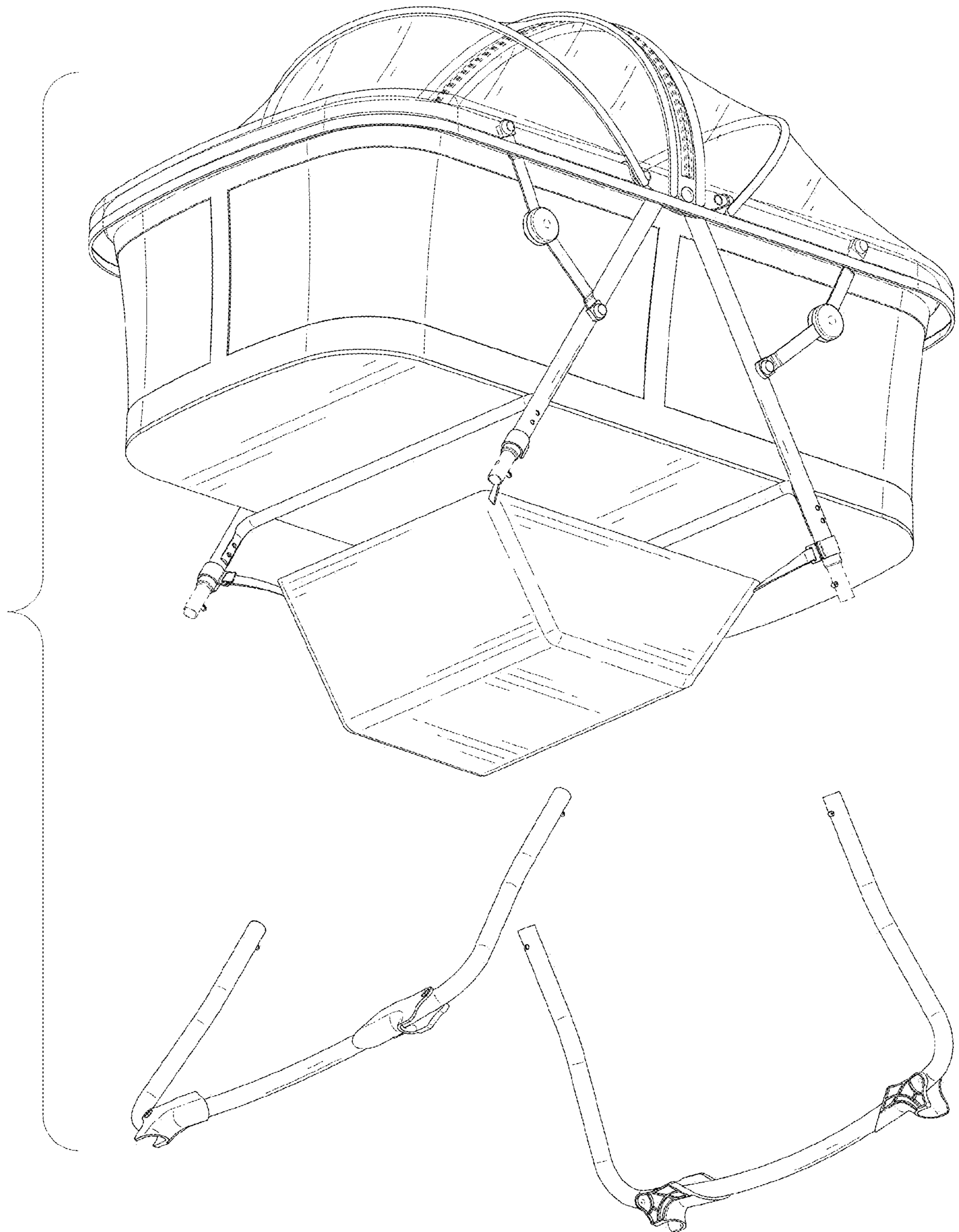


FIG. 11