



US00D917910S

(12) **United States Design Patent** (10) **Patent No.:** **US D917,910 S**
Li (45) **Date of Patent:** **** May 4, 2021**

(54) **CHAIR**
(71) Applicant: **Homy Casa Limited**, Hong Kong (HK)
(72) Inventor: **YueHai Li**, Guangzhou (CN)
(73) Assignee: **HOMY CASA LIMITED**, Sheung Wan (HK)
(**) Term: **15 Years**
(21) Appl. No.: **29/671,548**
(22) Filed: **Nov. 28, 2018**
(51) **LOC (13) Cl.** **06-01**
(52) **U.S. Cl.**
USPC **D6/375**
(58) **Field of Classification Search**
USPC D6/334, 336, 344, 345, 348, 349, 350, D6/352, 353, 355, 358, 360, 364, 368, D6/369, 370, 371, 373, 375, 379, 380, D6/381, 677, 692.3, 708, 708.16, 716, D6/717; D11/184; D21/521; D23/292
CPC .. A47C 1/12; A47C 1/124; A47C 3/00; A47C 3/04; A47C 3/12; A47C 3/14; A47C 3/16; A47C 3/18; A47C 3/20; A47C 3/34; A47C 4/02; A47C 4/03; A47C 4/38; A47C 3/10; A47C 3/24; A47C 3/045; A47C 3/286; A47C 5/06; A47C 5/04; A47C 5/12; A47C 5/043; A47C 7/00; A47C 7/16; A47C 7/002; A47C 7/445; A47C 7/448; A47C 7/506; A47C 7/52; A47C 7/50; A47C 9/00; A47C 9/007; A47D 1/00; A01M 31/02; Y10S 297/02
See application file for complete search history.

(56) **References Cited**
U.S. PATENT DOCUMENTS
D182,790 S * 5/1958 Cohen D6/375
2,893,469 A * 7/1959 Eames A47C 5/12
297/239

2,980,454 A * 4/1961 Thaden A47C 1/124
403/169
3,261,640 A * 7/1966 Straits A47C 15/002
297/135
3,393,941 A * 7/1968 Grosfillex A47C 7/02
297/440.22
D544,230 S * 6/2007 Glass D6/375
D546,087 S * 7/2007 Rashid D6/375
D592,873 S * 5/2009 Olano Jauregui D6/373
D608,549 S * 1/2010 Novak D6/334
D609,489 S * 2/2010 Adams D6/375
D666,015 S * 8/2012 Morrison D6/360
D690,147 S * 9/2013 Meyer D6/375
D719,365 S * 12/2014 Adams D6/360
D748,927 S * 2/2016 Feichtner D6/375
D772,594 S * 11/2016 Fukasawa D6/375
D778,657 S * 2/2017 Morrison D6/373
D798,069 S * 9/2017 Iqbal D6/334
D798,070 S * 9/2017 Iqbal D6/334
D808,669 S * 1/2018 Li D6/334
D809,315 S * 2/2018 Grabowski D6/375

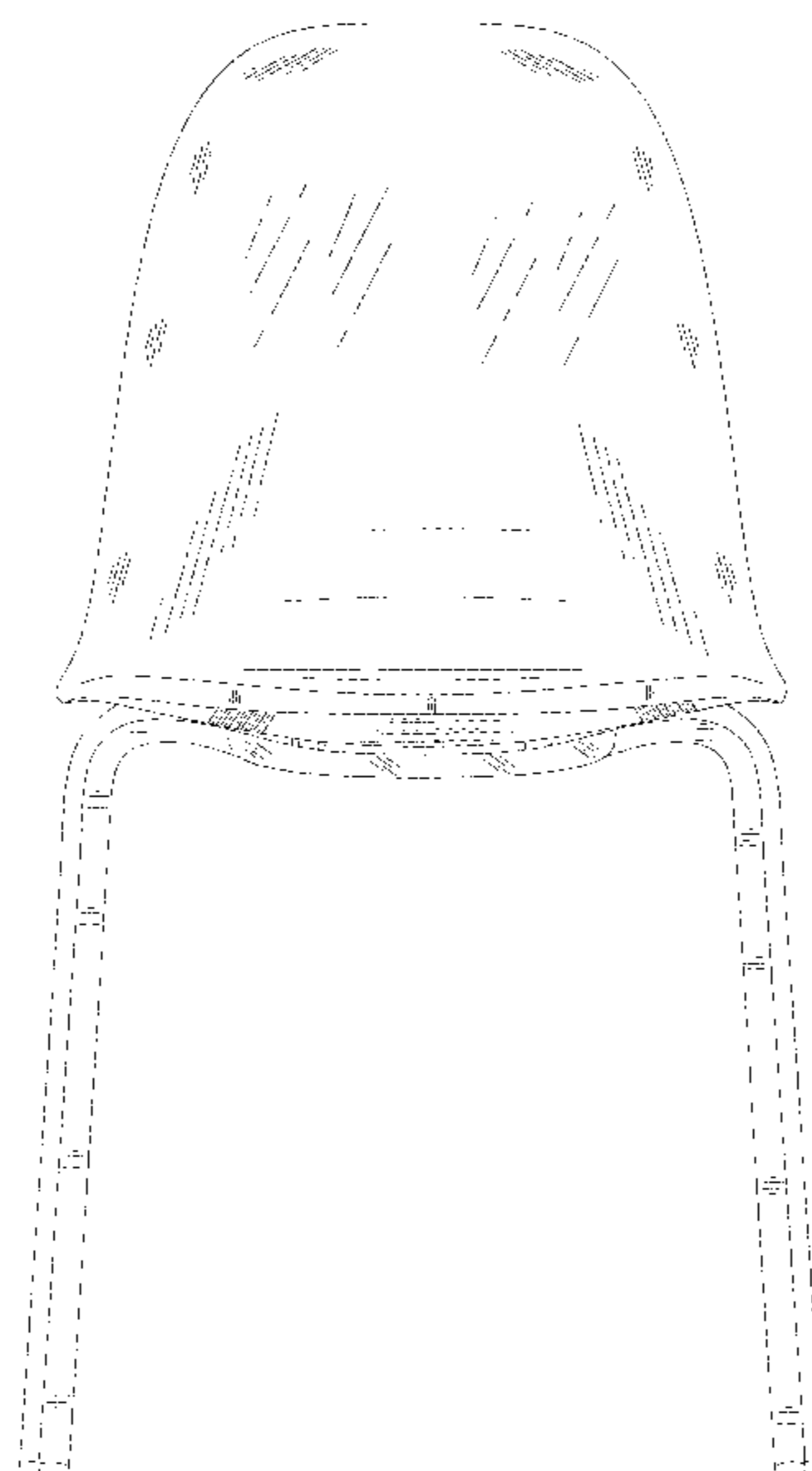
(Continued)

Primary Examiner — Kevin K Rudzinski
Assistant Examiner — Paul D Bohannon
(74) *Attorney, Agent, or Firm* — Hauptman Ham, LLP

(57) **CLAIM**
The ornamental design for a chair, as shown and described.

DESCRIPTION
FIG. 1 is a front view of a chair bearing the design;
FIG. 2 is a rear view thereof;
FIG. 3 is a left side view thereof;
FIG. 4 is a right side view thereof;
FIG. 5 is a top view thereof;
FIG. 6 is a bottom view thereof; and,
FIG. 7 is a front-left perspective view thereof.
The broken lines showing portions of the chair form no part of the claimed design.

1 Claim, 7 Drawing Sheets



(56)

References Cited

U.S. PATENT DOCUMENTS

D811,790 S * 3/2018 Chavarria D6/708.16
D816,359 S * 5/2018 Bendtzen D6/360
D821,791 S * 7/2018 Smith D6/708
D858,128 S * 9/2019 Li D6/360

* cited by examiner

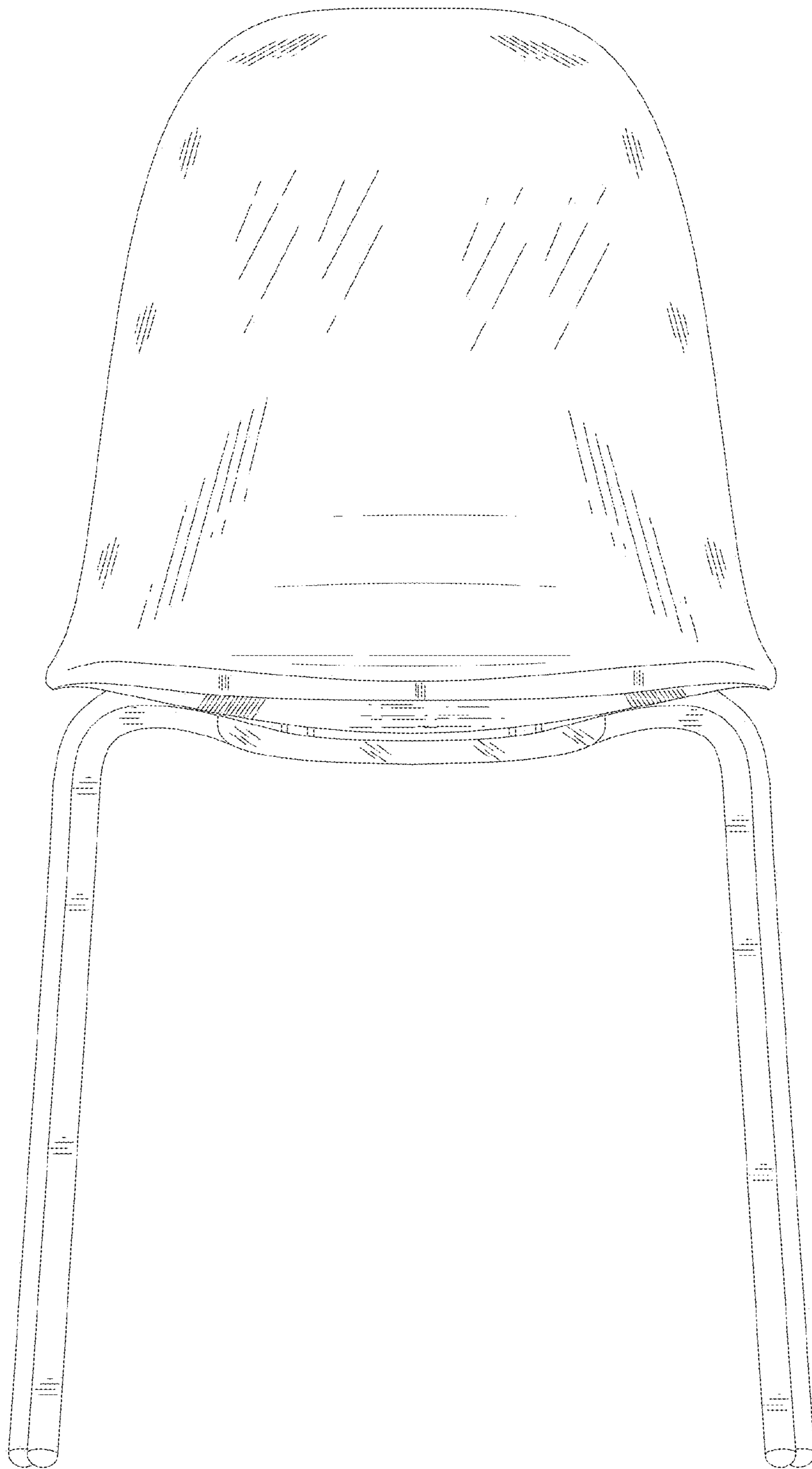


Fig. 1

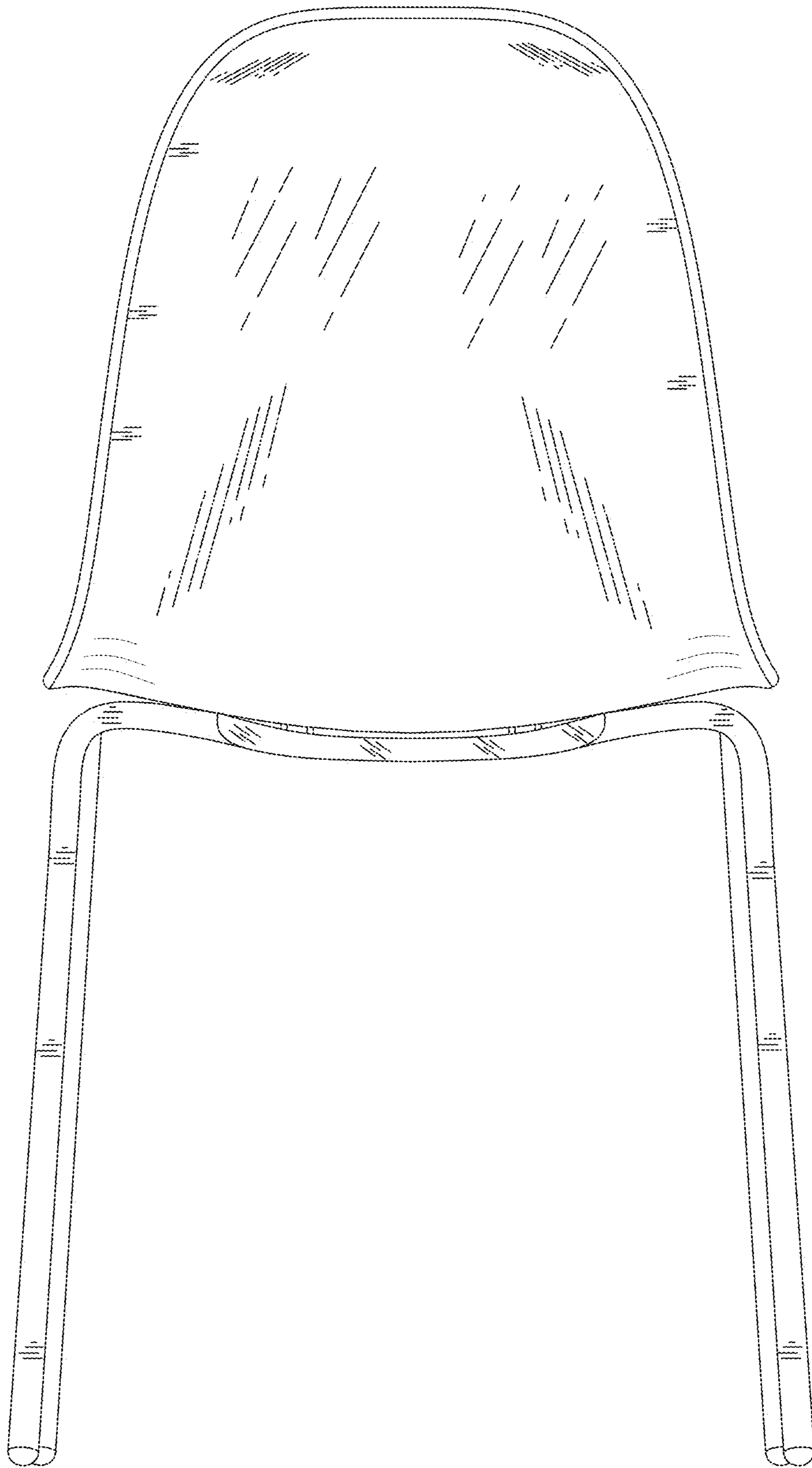


Fig. 2

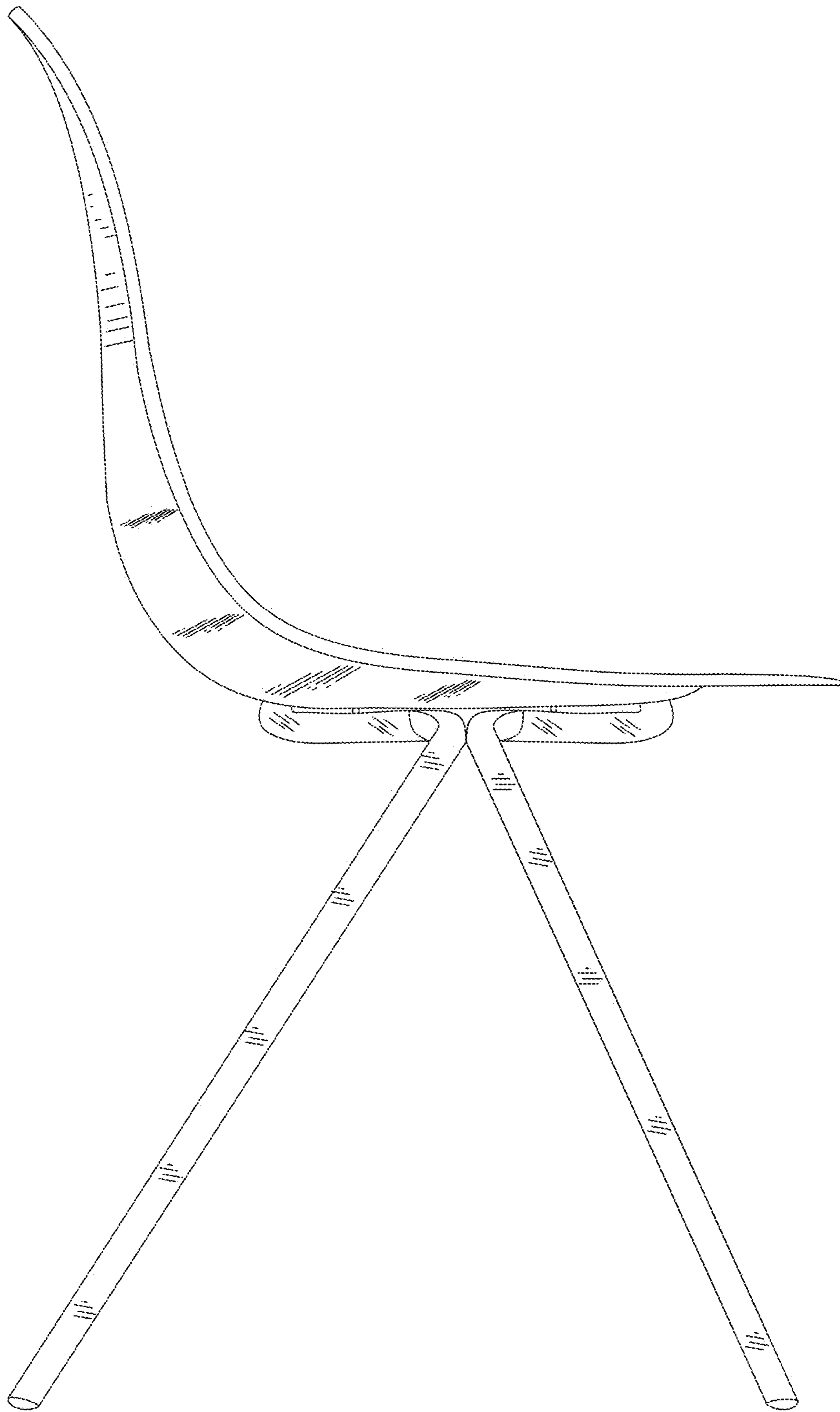


Fig. 3

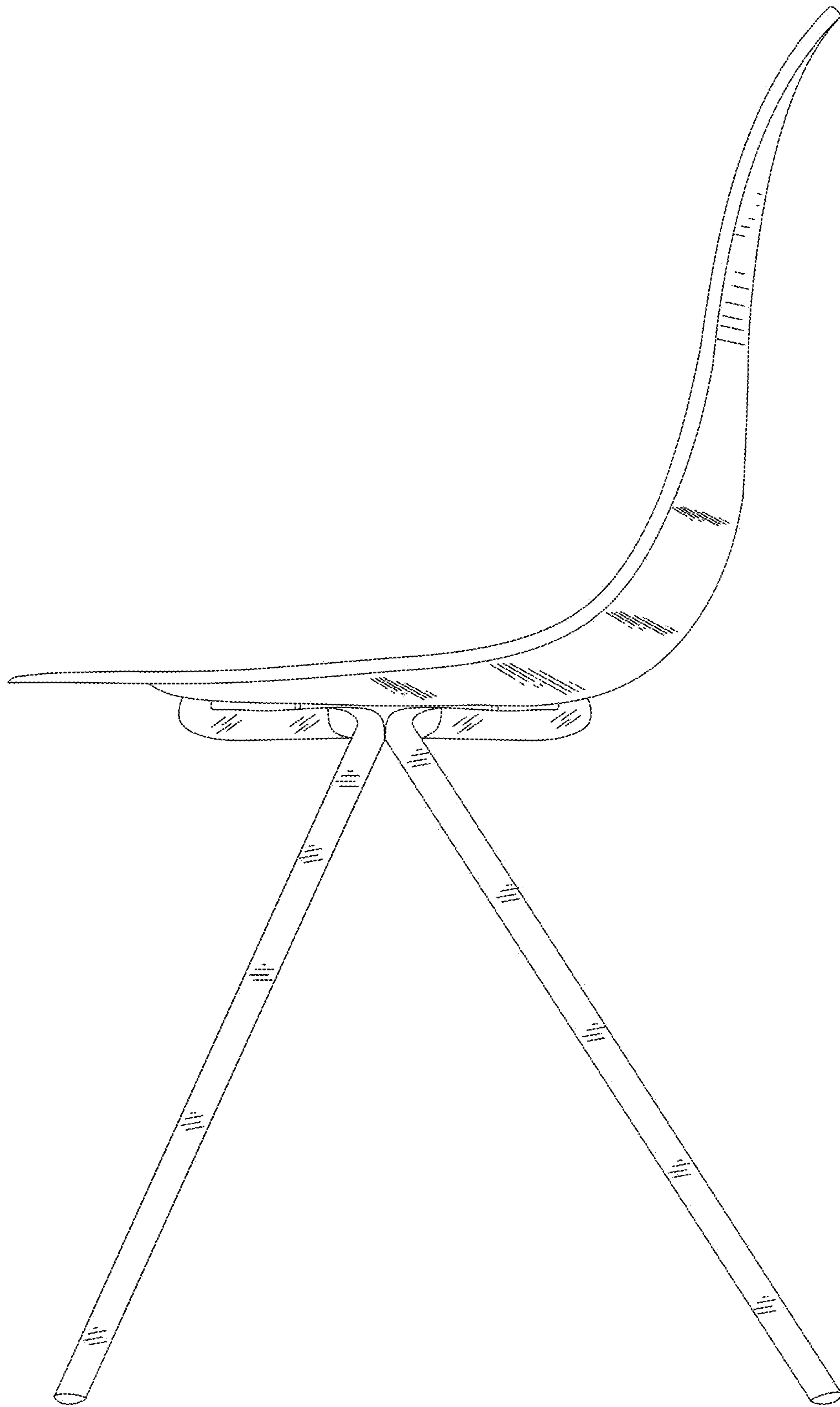


Fig. 4

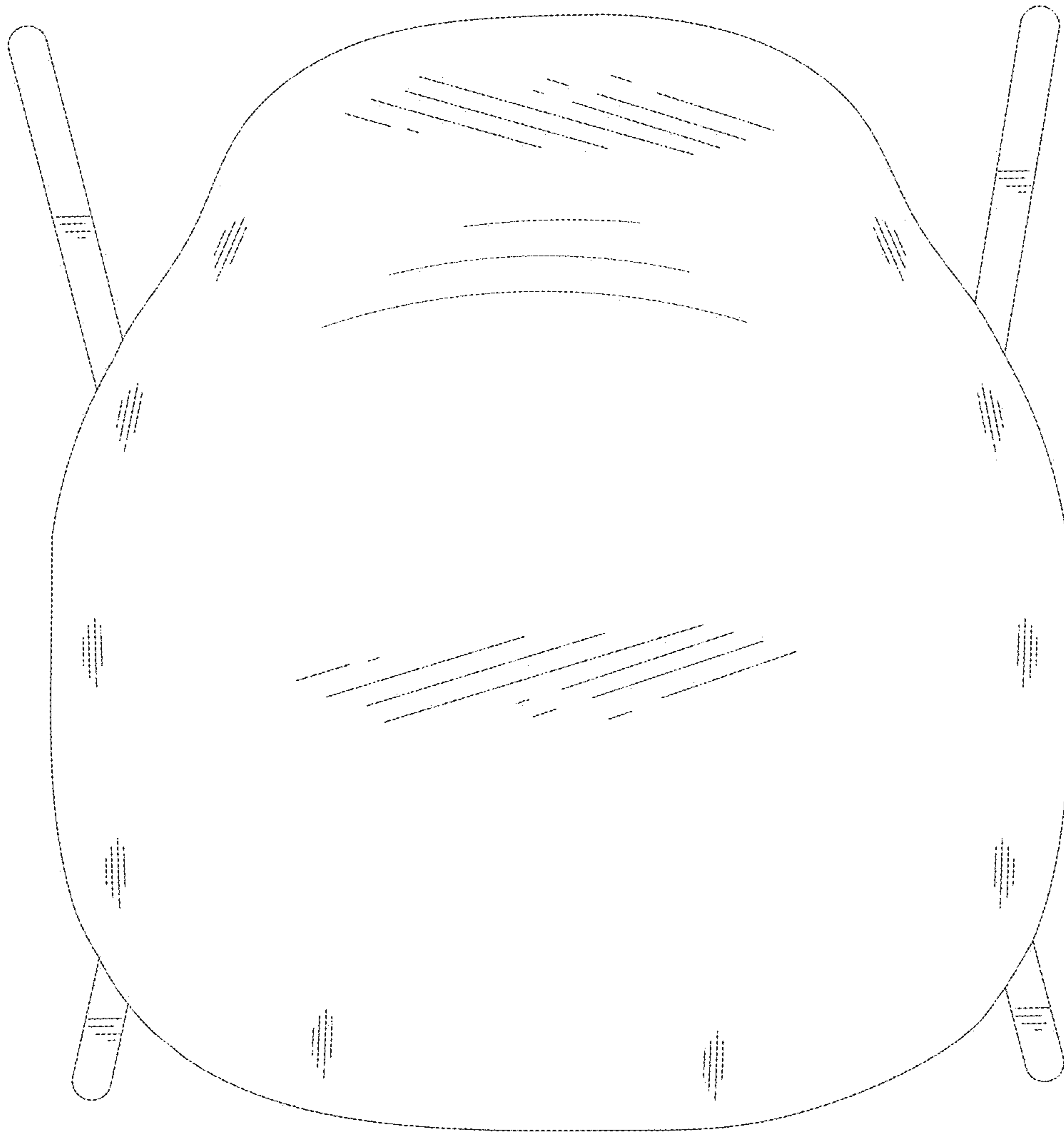


Fig. 5

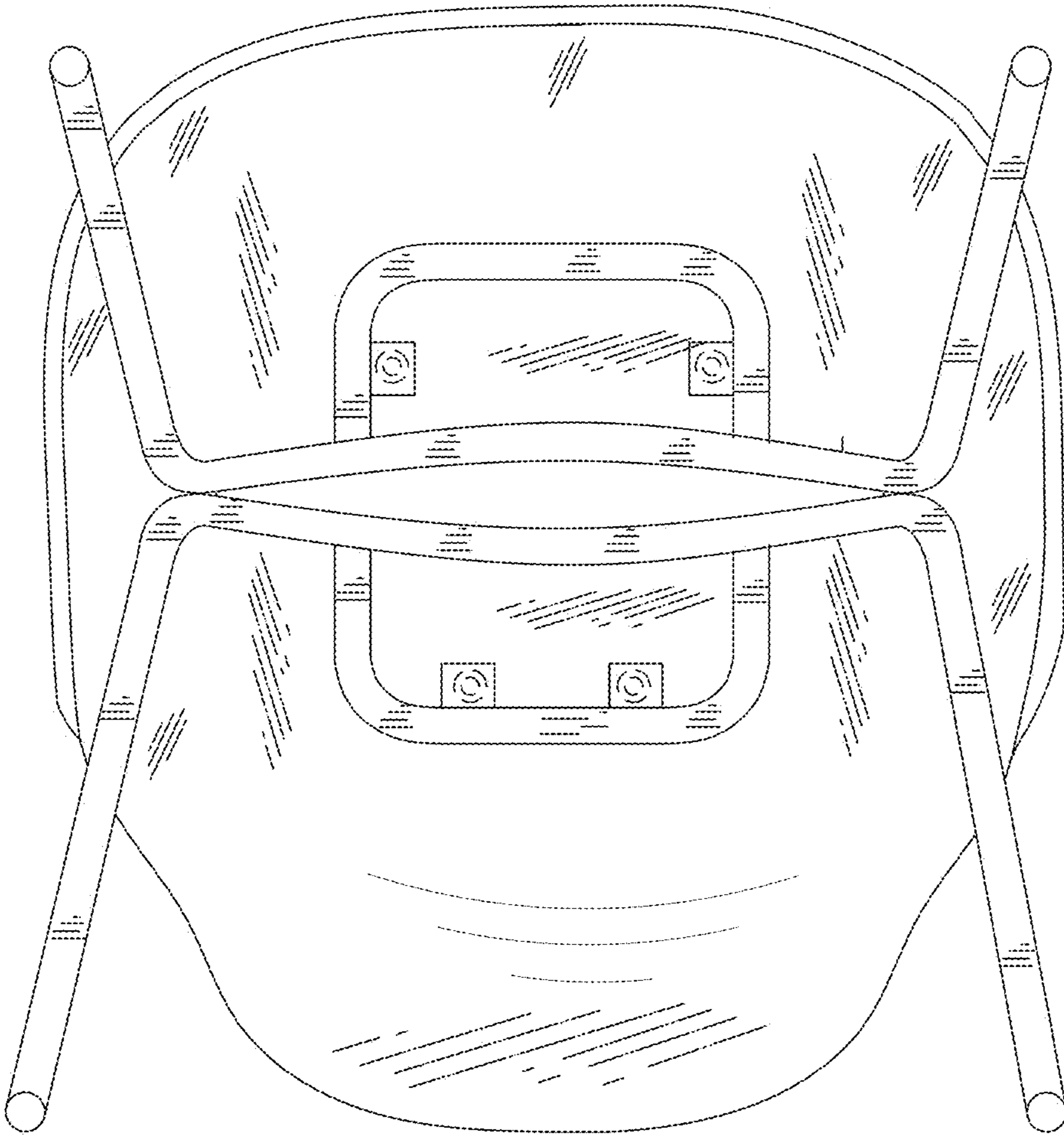


Fig. 6

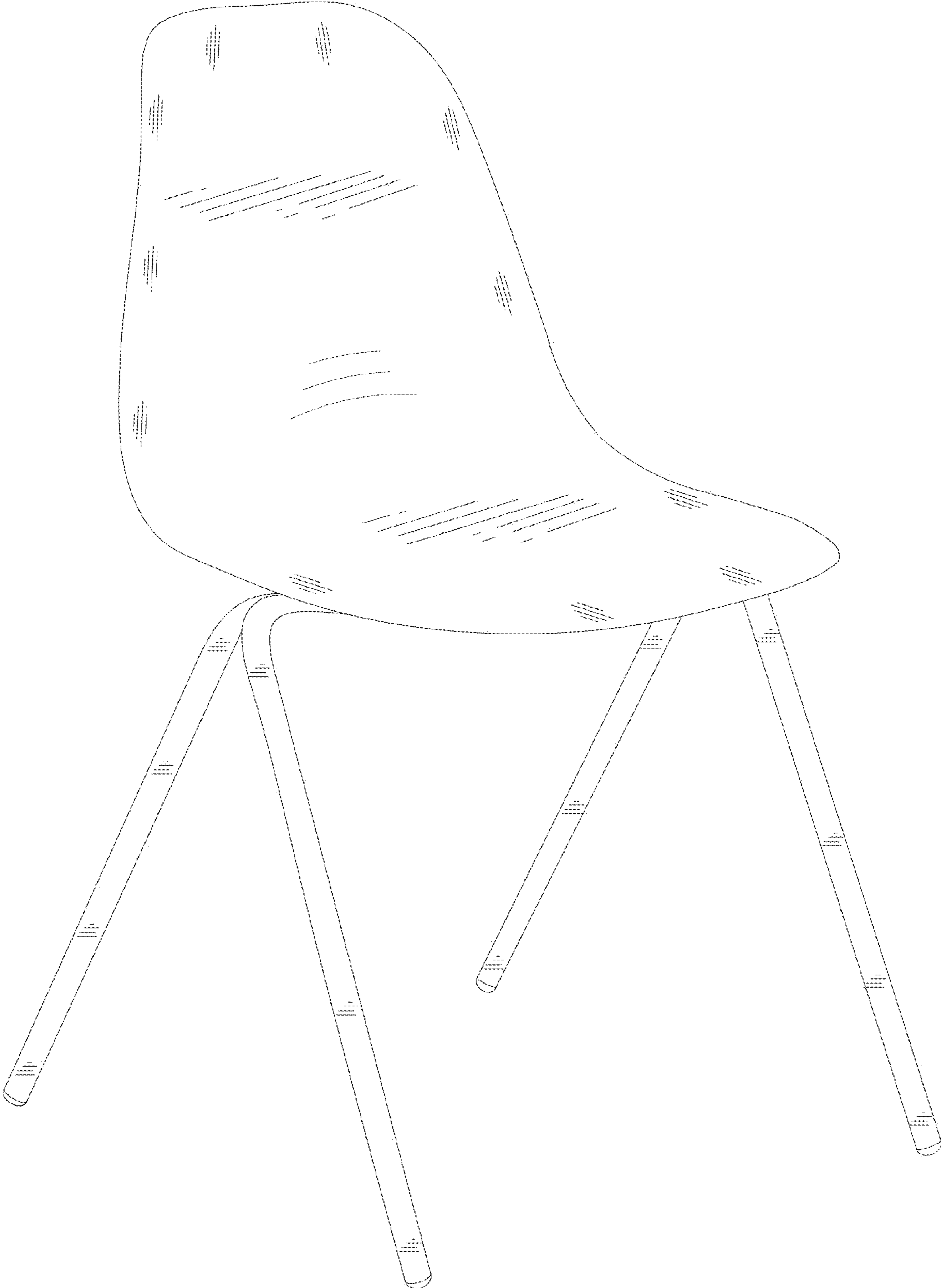


Fig. 7