



US00D917909S

(12) **United States Design Patent**  
**Zhou**

(10) **Patent No.:** **US D917,909 S**

(45) **Date of Patent:** **\*\* May 4, 2021**

(54) **SWIVEL CHAIR**

(71) Applicant: **Kai Zhou**, Lishui (CN)

(72) Inventor: **Kai Zhou**, Lishui (CN)

(73) Assignee: **ZHEJIANG KYLIGHT INDUSTRY CO., LTD**, Lishui (CN)

(\*\*) Term: **15 Years**

(21) Appl. No.: **29/672,513**

(22) Filed: **Dec. 6, 2018**

(51) **LOC (13) Cl.** ..... **06-01**

(52) **U.S. Cl.**  
USPC ..... **D6/366**

(58) **Field of Classification Search**  
USPC ..... D6/334-336, 356, 364, 365, 366, 367,  
D6/374, 375, 379, 380, 716, 716.1, 716.3,  
D6/716.4  
CPC ..... A47C 4/028; A47C 7/004; A47C 7/006;  
A47C 7/18; A47C 7/24; A47C 7/38;  
A47C 7/40; B60N 2/02; B60N 2/20;  
B60N 2/22; B60N 2/58  
See application file for complete search history.

(56) **References Cited**

**U.S. PATENT DOCUMENTS**

D532,211 S \* 11/2006 Su ..... D6/366  
D549,475 S \* 8/2007 Su ..... D6/356

D721,895 S \* 2/2015 Beermann ..... D6/356  
D752,353 S \* 3/2016 Owaku ..... D6/356  
D829,457 S \* 10/2018 Iida ..... D6/356  
D839,620 S \* 2/2019 Lauter ..... D6/356  
D847,526 S \* 5/2019 Wang ..... D6/366  
D856,696 S \* 8/2019 Shen ..... D6/366  
D869,214 S \* 12/2019 Chen ..... D6/716  
D870,477 S \* 12/2019 Fujita ..... D6/356

\* cited by examiner

*Primary Examiner* — Mimososa De

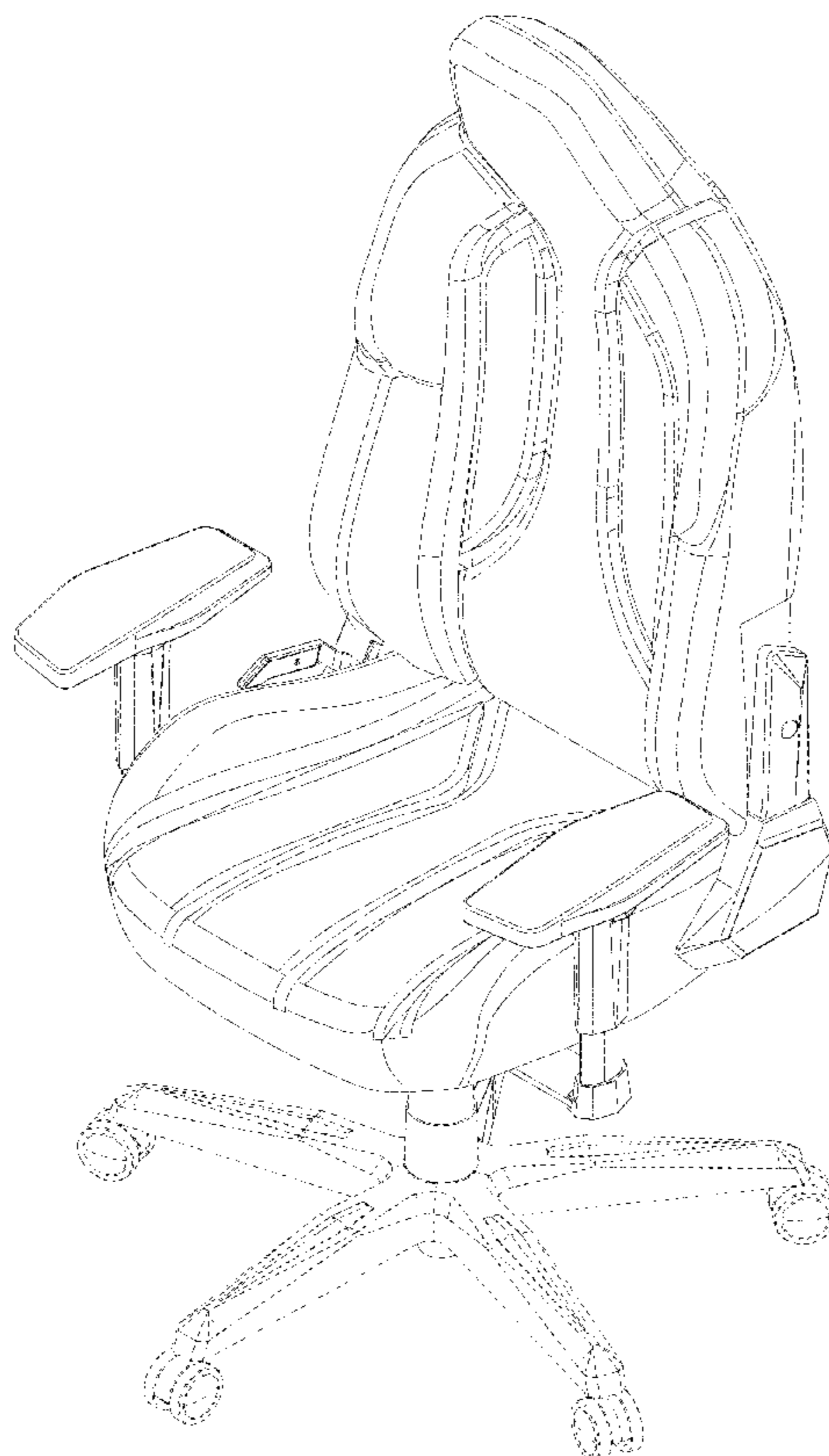
(57) **CLAIM**

The ornamental design for a swivel chair, as shown and described.

**DESCRIPTION**

FIG. 1 is a perspective view of a swivel chair showing my new design;  
FIG. 2 is a front elevational view thereof;  
FIG. 3 is a top plan view thereof;  
FIG. 4 is a left side elevational view thereof;  
FIG. 5 is a rear elevational view thereof;  
FIG. 6 is a right side view thereof; and,  
FIG. 7 is a bottom plan view thereof.  
The broken lines in the drawings illustrate portions of the swivel chair that form no part of the claimed design.

**1 Claim, 7 Drawing Sheets**



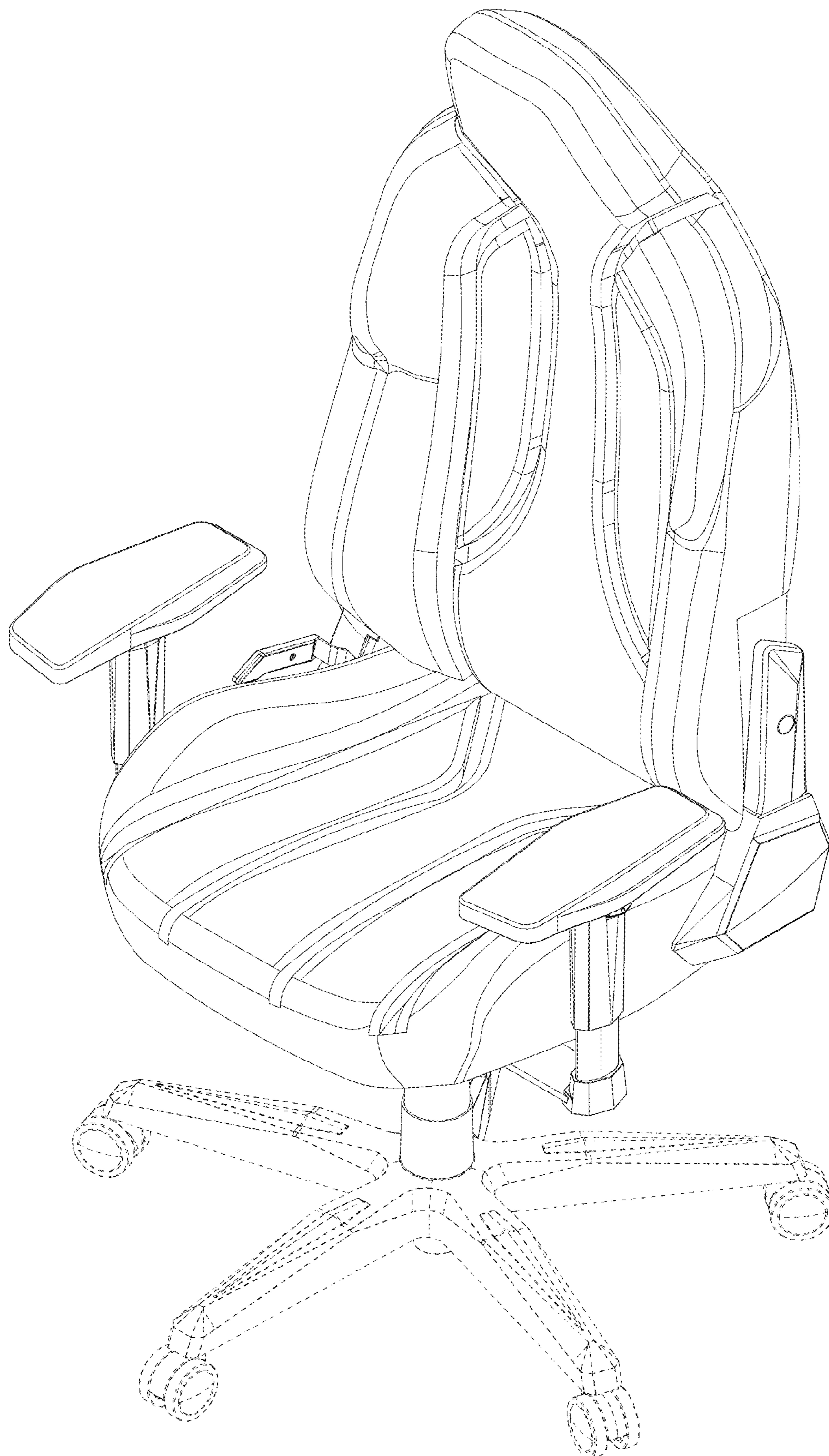


FIG. 1

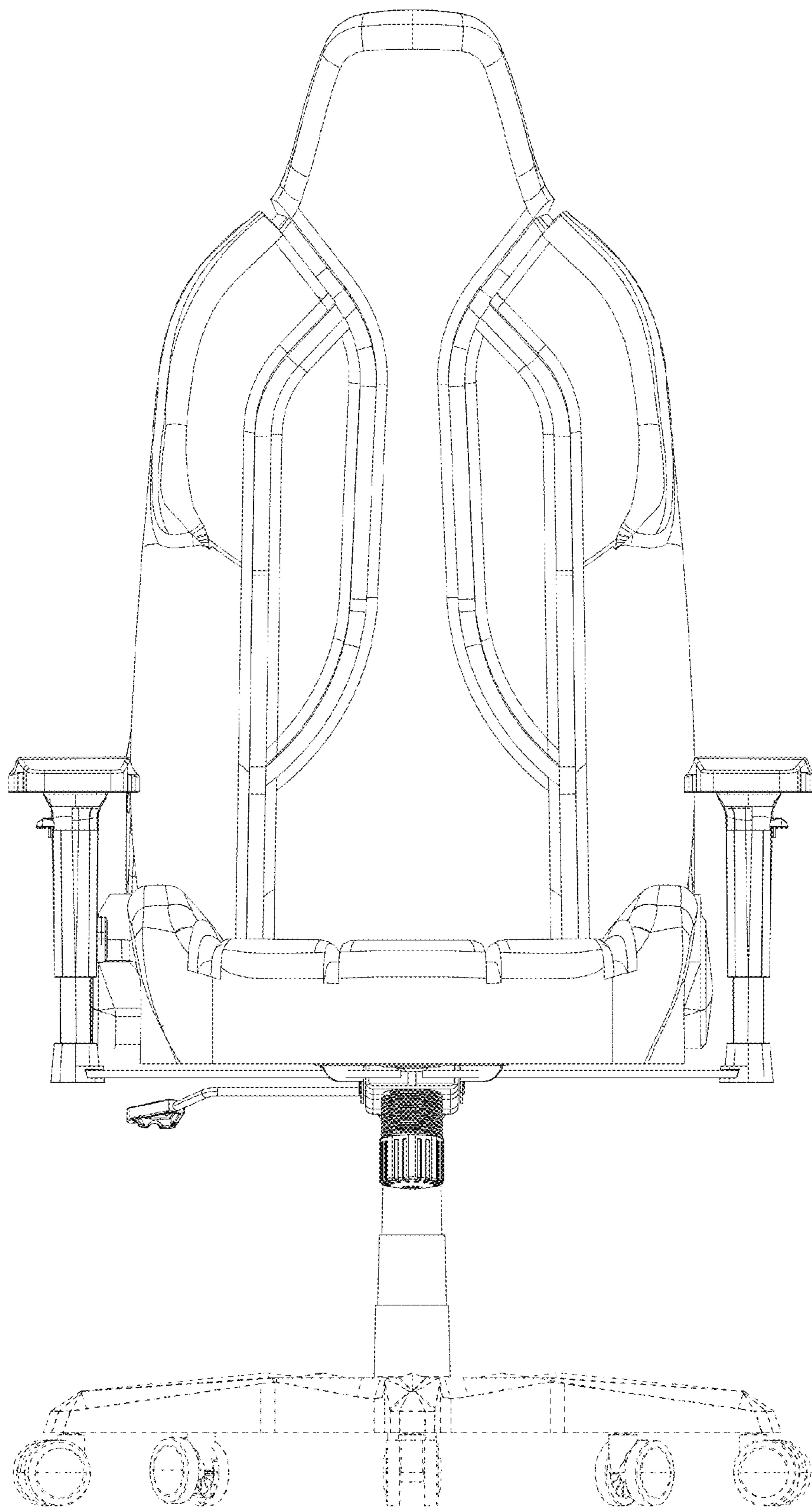


FIG. 2



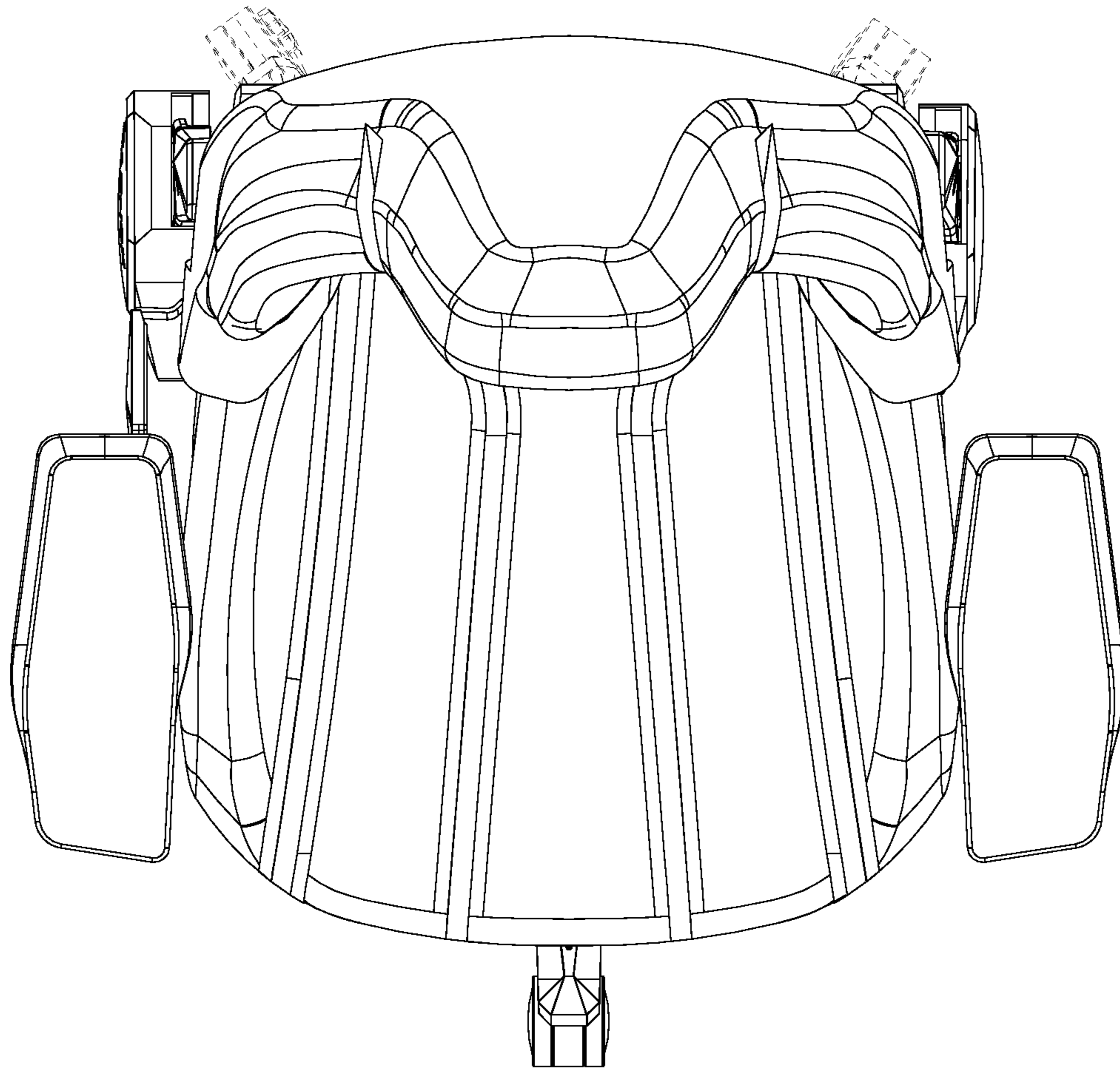


FIG. 3

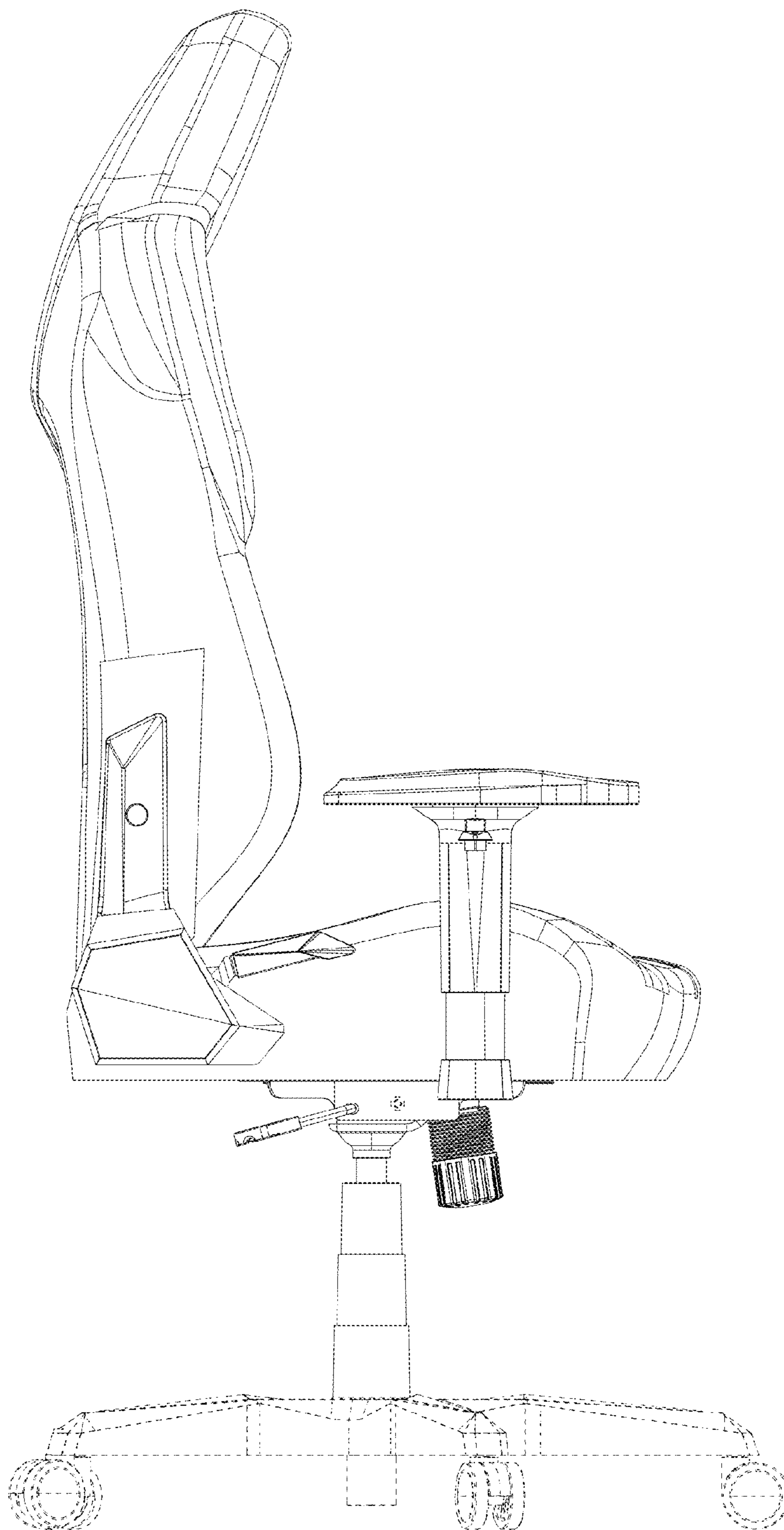


FIG. 4

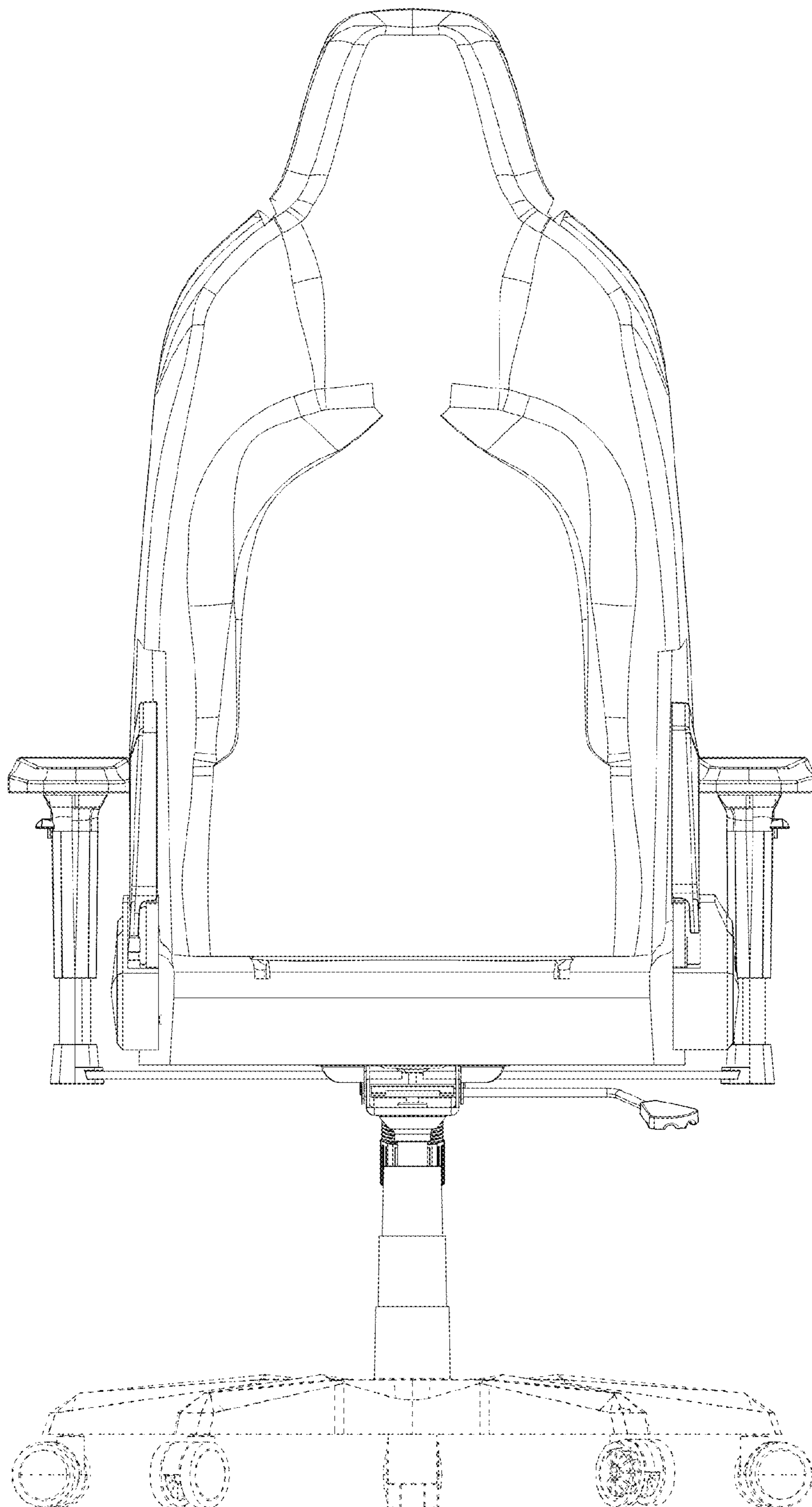


FIG. 5

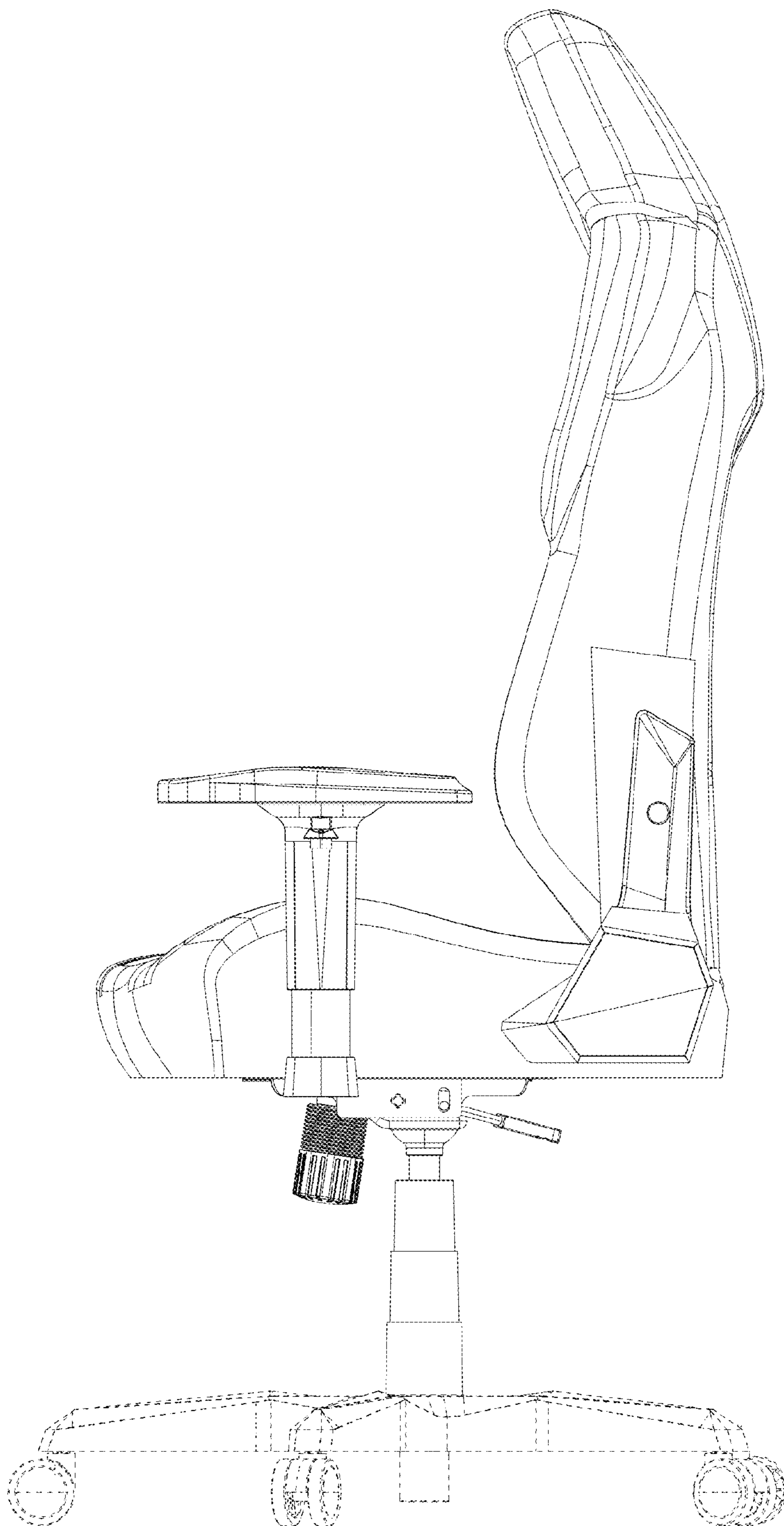


FIG. 6

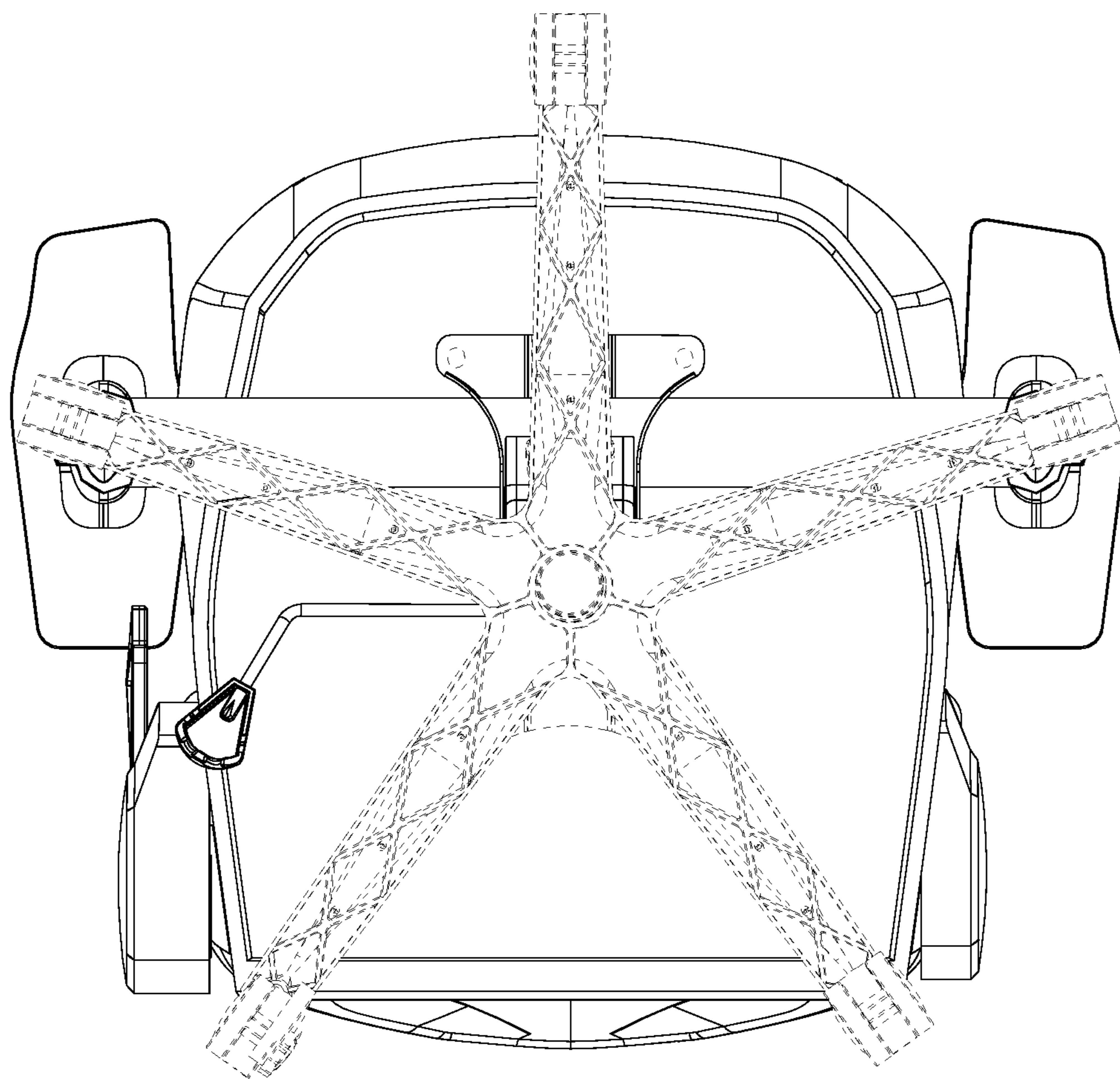


FIG. 7