



US00D917908S

(12) **United States Design Patent**
Wehner

(10) **Patent No.:** **US D917,908 S**

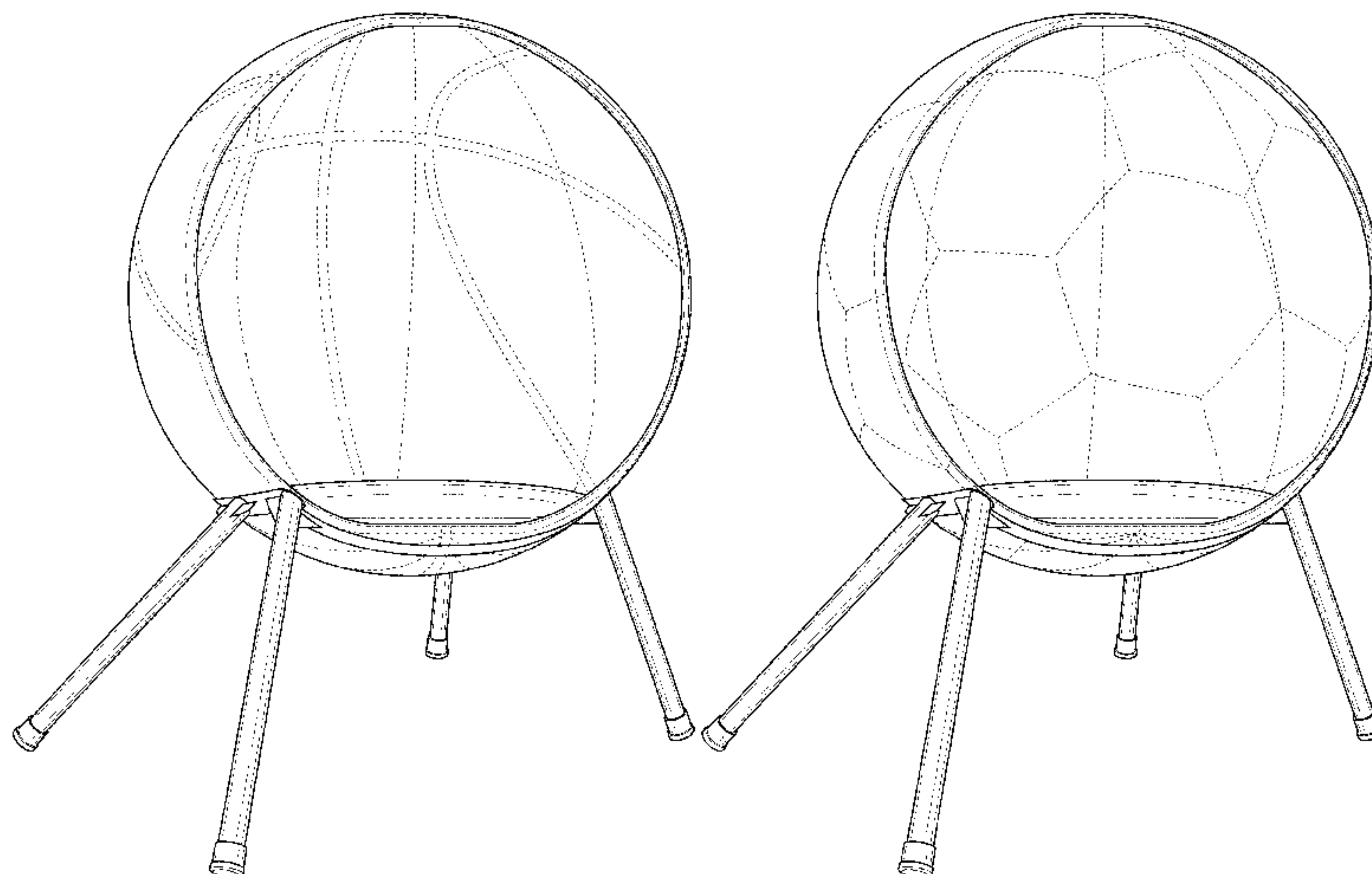
(45) **Date of Patent:** **** May 4, 2021**

- (54) **CHAIR**
- (71) Applicant: **Worldwide Creations, LLC**, Clio, MI (US)
- (72) Inventor: **Scott D. Wehner**, Clio, MI (US)
- (73) Assignee: **Worldwide Creations, LLC**, Clio, MI (US)
- (**) Term: **15 Years**
- (21) Appl. No.: **29/689,059**
- (22) Filed: **Apr. 26, 2019**
- (51) **LOC (13) Cl.** **06-01**
- (52) **U.S. Cl.**
USPC **D6/358**
- (58) **Field of Classification Search**
USPC D6/334-336, 345, 347, 351, 358, 369, D6/371, 372, 373, 374, 375, 376, 386, D6/387, 716, 716.1, 716.2, 716.3, 716.4, D6/716.5, 303, 658, 674, 688.1, 707.13; D3/17; D7/606; D10/6; D11/133; D19/94, 97; D20/3, 29; D21/328, 372, D21/399, 521, 780, 781, 713, 716, 825
CPC A47C 3/12; A47C 4/02; A47C 5/02; A47C 5/04; A47C 7/02; A47C 7/16; A47C 7/021; A47C 3/025; A47C 3/0255; A45F 3/26; A47D 13/105; A47D 13/107; G09F 23/14; A47G 1/14
See application file for complete search history.

| | | | | |
|--------------|---------|-----------------|-------|----------|
| D199,535 S * | 11/1964 | Doss | | D21/713 |
| 3,186,711 A | 6/1965 | Morrow | | |
| 3,344,443 A | 10/1967 | Bounell | | |
| 3,528,657 A | 9/1970 | Krupsky | | |
| D223,444 S * | 4/1972 | Glaser | | D6/335 |
| D232,500 S | 8/1974 | McGreevy et al. | | |
| D232,957 S * | 9/1974 | Kahelin | | D21/713 |
| 3,902,264 A | 9/1975 | Radig | | |
| D243,044 S | 1/1977 | Pathman | | |
| 4,000,749 A | 1/1977 | Busco | | |
| 4,047,752 A | 9/1977 | Rohr | | |
| D248,986 S * | 8/1978 | Nakata | | D21/713 |
| D249,408 S | 9/1978 | Jackson | | |
| D249,753 S | 10/1978 | Pratt | | |
| D252,602 S | 8/1979 | Cirrone | | |
| D254,458 S | 3/1980 | Wakefield | | |
| D254,829 S | 4/1980 | Gass | | |
| 4,244,622 A | 1/1981 | Simpson | | |
| 4,258,951 A | 3/1981 | Groom | | |
| D259,610 S | 6/1981 | Martin | | |
| D263,663 S | 4/1982 | Moreau | | |
| D265,454 S * | 7/1982 | Martin | | D6/303 |
| D266,040 S | 9/1982 | Cope | | |
| D271,548 S * | 11/1983 | Bowsher | | D6/674 |
| D271,641 S * | 12/1983 | Bowsher | | D6/674 |
| D273,943 S * | 5/1984 | Dillon | | D10/6 |
| D273,967 S * | 5/1984 | Budde | | D21/825 |
| D274,133 S | 6/1984 | Dillon | | |
| D274,347 S * | 6/1984 | Budde | | D21/825 |
| D274,986 S * | 8/1984 | Mermelstein | | D10/6 |
| D278,549 S | 4/1985 | Kristich | | |
| 4,526,307 A | 7/1985 | Parker | | |
| 4,550,456 A | 11/1985 | Allen | | |
| D282,970 S | 3/1986 | Parkin | | |
| D295,391 S * | 4/1988 | Maddox | | D11/133 |
| 4,838,292 A | 6/1989 | Allen | | |
| D306,196 S | 2/1990 | Muirhead | | |
| D309,681 S * | 8/1990 | Solomon | | D6/351 |
| D309,683 S * | 8/1990 | Solomon | | D6/688.1 |
| D323,535 S | 1/1992 | Foender et al. | | |
| 5,097,545 A | 3/1992 | Hooi | | |
| D331,158 S | 11/1992 | Hooi | | |
| D336,378 S | 6/1993 | Kittridge | | |
| D346,070 S | 4/1994 | Kither | | |
| D348,161 S | 6/1994 | Craig, III | | |
| D348,361 S | 7/1994 | Beecher | | |
| D349,008 S * | 7/1994 | Minor | | D21/713 |
| D349,631 S * | 8/1994 | Redmon | | D7/606 |
| D350,699 S * | 9/1994 | Lincourt | | D10/6 |
| D354,371 S * | 1/1995 | Wood | | D21/713 |
| D354,639 S * | 1/1995 | Stoddard | | D7/606 |
| D354,641 S * | 1/1995 | Stoddard | | D7/606 |
| D355,334 S * | 2/1995 | Minor | | D7/606 |

(56) **References Cited**
U.S. PATENT DOCUMENTS

| | | | | |
|-------------|---------|-------------|-------|--------|
| 979,037 A | 12/1910 | Searle | | |
| D44,625 S * | 9/1913 | De Yoos | | D19/97 |
| 1,646,716 A | 10/1927 | Wheeler | | |
| 2,689,602 A | 9/1954 | Morgan | | |
| 2,796,877 A | 6/1957 | Berseth | | |
| 3,034,154 A | 5/1962 | Silverstone | | |
| 3,130,969 A | 4/1964 | Groth | | |
| D198,779 S | 8/1964 | Bredon | | |
| 3,145,990 A | 8/1964 | Prouty | | |



US D917,908 S

| | | | | | | | |
|----------------|---------|-----------------|-----------|---------------|---------|-----------------|---------|
| D357,386 S * | 4/1995 | Jones | D21/713 | D565,125 S | 3/2008 | Collier | |
| 5,439,016 A | 8/1995 | Grahn | | 7,367,068 B2 | 5/2008 | Huff | |
| D364,287 S * | 11/1995 | Jurasinski | D6/688.1 | 7,380,880 B2 | 6/2008 | Molen | |
| D366,064 S * | 1/1996 | Milojevich | D19/97 | 7,404,601 B2 | 7/2008 | Chen | |
| 5,511,258 A | 4/1996 | Barr, Sr. | | D575,079 S | 8/2008 | Hirsh | |
| D369,476 S | 5/1996 | Quill | | D577,390 S * | 9/2008 | Collier | D21/713 |
| D374,127 S * | 10/1996 | Diaz | D6/334 | D577,774 S | 9/2008 | Lo et al. | |
| D375,422 S * | 11/1996 | Jurasinski | D6/688.1 | D586,187 S * | 2/2009 | Sax | D7/606 |
| 5,588,702 A | 12/1996 | Litwin | | D596,672 S * | 7/2009 | Roman | D20/29 |
| D384,211 S * | 9/1997 | Wied | D6/351 | D596,675 S | 7/2009 | Roman Moreno | |
| 5,695,253 A | 12/1997 | Jenkins | | D609,987 S | 2/2010 | Moman | |
| D392,913 S * | 3/1998 | Edwards | D11/133 | D611,729 S * | 3/2010 | Lau | D6/674 |
| D393,303 S | 4/1998 | Van Wagenen | | D620,320 S * | 7/2010 | Carter | D7/606 |
| D396,642 S * | 8/1998 | Lai | D10/6 | D623,436 S * | 9/2010 | Lau | D6/674 |
| D408,877 S * | 4/1999 | Sonntag | D21/713 | D632,138 S * | 2/2011 | Carter | D7/606 |
| 5,918,615 A | 7/1999 | Stuck, Sr. | | D638,071 S | 5/2011 | Tyler | |
| 5,944,381 A | 8/1999 | Nguyen | | 7,967,374 B2 | 6/2011 | Akkad | |
| D414,045 S | 9/1999 | Morrow | | D649,800 S | 12/2011 | Lievore et al. | |
| D419,387 S * | 1/2000 | Hansen | D7/606 | D653,807 S * | 2/2012 | Gelin | D21/713 |
| D419,389 S * | 1/2000 | Hansen | D7/606 | D653,808 S * | 2/2012 | Gelin | D21/713 |
| D420,552 S * | 2/2000 | Hansen | D7/606 | D653,810 S * | 2/2012 | Gelin | D21/713 |
| D420,861 S * | 2/2000 | Hansen | D7/606 | D660,034 S | 5/2012 | Frey et al. | |
| D421,033 S * | 2/2000 | Shirley | D21/713 | D660,608 S | 5/2012 | Hasman | |
| D421,034 S | 2/2000 | Shirley et al. | | D675,268 S * | 1/2013 | Cranke | D21/713 |
| D421,035 S * | 2/2000 | Shirley | D21/713 | D677,914 S | 3/2013 | Cardenas | |
| D422,155 S * | 4/2000 | Rougie | D6/358 | D679,104 S | 4/2013 | Pouzet | |
| D431,136 S * | 9/2000 | Palardis | D6/358 | D682,565 S | 5/2013 | McDonald | |
| 6,116,682 A * | 9/2000 | Baur | A47C 3/12 | D690,377 S * | 9/2013 | Cranke | D21/713 |
| | | | 297/118 | D692,083 S | 10/2013 | Toland | |
| 6,212,811 B1 * | 4/2001 | Jones | A47G 1/14 | D697,566 S * | 1/2014 | Smith | D21/713 |
| | | | 40/781 | D698,696 S | 2/2014 | McBurney et al. | |
| D442,884 S * | 5/2001 | Olinger | D11/133 | D702,449 S | 4/2014 | Puotiniemi | |
| D442,885 S * | 5/2001 | Olinger | D11/133 | D705,499 S | 5/2014 | Zamarripa | |
| D443,229 S * | 6/2001 | Olinger | D11/133 | D705,865 S * | 5/2014 | Roth | D19/97 |
| D446,267 S * | 8/2001 | Feeney | D21/713 | 8,764,234 B1 | 7/2014 | Acree et al. | |
| 6,401,404 B1 | 6/2002 | Fillipp et al. | | D720,148 S | 12/2014 | Urquiola | |
| 6,474,843 B2 | 11/2002 | Shieh | | D727,445 S * | 4/2015 | Viramontez | D21/713 |
| D469,145 S | 1/2003 | Underwood | | 9,067,146 B1 | 6/2015 | Cordray | |
| D469,628 S * | 2/2003 | Strohufus | D6/674 | 9,095,204 B2 | 8/2015 | Ou | |
| D489,103 S * | 4/2004 | Jandorf | D21/713 | D738,123 S | 9/2015 | Wu | |
| 6,752,732 B2 | 6/2004 | Morrison et al. | | D738,128 S | 9/2015 | Paslawski | |
| D496,169 S | 9/2004 | Hightower | | D738,637 S | 9/2015 | Dean | |
| D496,802 S | 10/2004 | Hightower | | D742,277 S * | 11/2015 | Wegrzyn | D11/133 |
| D501,328 S * | 2/2005 | Fonfeder | D6/303 | D752,164 S * | 3/2016 | Rio | D21/713 |
| D501,610 S | 2/2005 | Hightower | | D759,396 S | 6/2016 | Wehner | |
| D501,729 S * | 2/2005 | Fonfeder | D6/303 | D760,488 S * | 7/2016 | Diamond | D3/17 |
| D501,730 S * | 2/2005 | Fonfeder | D6/303 | D760,506 S | 7/2016 | McDonald | |
| 6,848,740 B1 | 2/2005 | Reese | | D764,160 S * | 8/2016 | Diamond | D3/17 |
| D503,554 S | 4/2005 | Kay | | 9,440,154 B1 | 9/2016 | Cordray et al. | |
| D503,555 S * | 4/2005 | Hightower | D6/358 | D768,795 S * | 10/2016 | O'Malley | D21/713 |
| D507,305 S * | 7/2005 | Dill | D19/97 | 9,468,284 B2 | 10/2016 | Wehner | |
| D507,706 S | 7/2005 | Lo | | D773,221 S | 12/2016 | Lee | |
| D511,191 S * | 11/2005 | Fryer | D21/713 | 9,554,653 B2 | 1/2017 | Lee | |
| D515,830 S | 2/2006 | Zheng | | D778,656 S | 2/2017 | Lee | |
| D515,876 S * | 2/2006 | Minor | D7/606 | D781,061 S | 3/2017 | Merritt | |
| D516,330 S | 3/2006 | Ruiter | | 9,630,119 B2 | 4/2017 | Fries et al. | |
| D516,645 S | 3/2006 | Chung | | D785,976 S * | 5/2017 | Hagerty | D6/674 |
| D516,825 S | 3/2006 | Zheng | | D787,842 S | 5/2017 | Lenton | |
| D516,826 S | 3/2006 | Zheng | | D788,634 S * | 6/2017 | Wegrzyn | D11/133 |
| D517,819 S | 3/2006 | Zheng | | D791,640 S * | 7/2017 | Wegrzyn | D11/133 |
| D522,260 S | 6/2006 | Strachan | | 9,713,372 B1 | 7/2017 | Chen | |
| D529,343 S * | 10/2006 | Minor | D7/606 | D796,865 S | 9/2017 | Haug | |
| D532,826 S * | 11/2006 | Gomez | D20/3 | D800,508 S | 10/2017 | Peters | |
| D533,239 S * | 12/2006 | Yang | D21/713 | D804,835 S | 12/2017 | Wehner | |
| D536,888 S | 2/2007 | Dykstra | | 9,861,181 B2 | 1/2018 | Wehner | |
| D538,545 S | 3/2007 | Zimmermann | | D814,813 S | 4/2018 | Hassman | |
| D539,048 S | 3/2007 | Zimmermann | | D817,013 S * | 5/2018 | Hassman | D6/345 |
| D539,049 S | 3/2007 | Zimmermann | | D819,348 S | 6/2018 | Hassman | |
| D539,050 S | 3/2007 | Zimmermann | | D819,349 S | 6/2018 | Wehner | |
| D541,058 S * | 4/2007 | Dykstra | D6/358 | D819,989 S * | 6/2018 | Hassman | D6/345 |
| 7,204,549 B1 | 4/2007 | Zeng | | D820,605 S | 6/2018 | Hassman | |
| D541,552 S | 5/2007 | Weldon | | D820,606 S | 6/2018 | Hassman | |
| D552,853 S | 10/2007 | Goodrick | | D820,608 S | 6/2018 | Wehner | |
| D553,014 S * | 10/2007 | Foster | D10/6 | D820,609 S | 6/2018 | Wehner | |
| D553,015 S * | 10/2007 | Foster | D10/6 | D821,109 S | 6/2018 | Wehner | |
| D553,016 S * | 10/2007 | Foster | D10/6 | 10,016,048 B2 | 7/2018 | Wehner | |
| D554,200 S * | 10/2007 | Cooper | D21/713 | D827,317 S | 9/2018 | Wehner | |
| D555,923 S * | 11/2007 | Dykstra | D6/358 | D828,697 S | 9/2018 | Wehner | |
| D558,293 S | 12/2007 | Brumbach et al. | | D829,454 S | 10/2018 | Wehner | |

| | | | | |
|--------------|------|---------|----------------|----------------------|
| 10,161,601 | B1 | 12/2018 | Chen | |
| D842,950 | S * | 3/2019 | O'Malley | D21/713 |
| D847,922 | S * | 5/2019 | Hunter | D21/713 |
| D848,753 | S | 5/2019 | Wehner | |
| 10,398,214 | B2 | 9/2019 | Wehner | |
| D861,365 | S * | 10/2019 | Figdor | D6/364 |
| D865,383 | S | 11/2019 | Wehner | |
| D871,785 | S * | 1/2020 | Wehner | D6/347 |
| 10,631,647 | B1 | 4/2020 | Wu et al. | |
| D889,144 | S | 7/2020 | Wehner | |
| D899,166 | S * | 10/2020 | Wehner | D6/716 |
| 2003/0024448 | A1 | 2/2003 | Lieberman | |
| 2003/0057754 | A1 | 3/2003 | Snyders | |
| 2003/0140417 | A1 | 7/2003 | Huff | |
| 2005/0108821 | A1 | 5/2005 | Gardner | |
| 2005/0277499 | A1 | 12/2005 | Tang et al. | |
| 2007/0283611 | A1 * | 12/2007 | Laurent | G09F 23/14 40/700 |
| 2008/0060128 | A1 | 3/2008 | Forshpan | |
| 2008/0203774 | A1 | 8/2008 | Hemetsberger | |
| 2010/0252083 | A1 | 10/2010 | Ogle | |
| 2011/0254334 | A1 | 10/2011 | Phillips | |
| 2012/0178543 | A1 | 7/2012 | Monachello | |
| 2015/0018108 | A1 | 1/2015 | Lacy et al. | |
| 2015/0030790 | A1 | 1/2015 | Duncan, III | |
| 2015/0335136 | A1 | 11/2015 | Wenner | |
| 2016/0107095 | A1 | 4/2016 | Fries et al. | |
| 2017/0234025 | A1 | 8/2017 | Bottome et al. | |

FOREIGN PATENT DOCUMENTS

| | | |
|----|----------------|--------|
| EM | 000963707-0001 | 7/2008 |
| EM | 000963707-0002 | 7/2008 |
| GB | 814554 A | 6/1959 |

OTHER PUBLICATIONS

Internet Archive Wayback Machine capture of The Floating Bed, <https://web.archive.org/web/20030512020135/http://www.floatingbed.com:80/bigger-view/outdoor-tent-bed-tree.html> <<https://web.archive.org/web/20030512020135/http://www.floatingbed.com:80/bigger-view/outdoor-tent-bed-tree.html>>, capture dated May 12, 2003, print-out dated Aug. 16, 2017.

Internet Archive Wayback Machine's capture of The Floating Bed, <https://web.archive.org/web/20030513102711/http://www.floatingbed.com:80/bigger-view/outdoor-tent-bed.html> <<https://web.archive.org/web/20030513102711/http://www.floatingbed.com:80/bigger-view/outdoor-tent-bed.html>>, capture dated May 13, 2003, print-out dated Aug. 16, 2017.

National Archives and Records Administration, Gabe Gobin, an Indian logger, in front of his home. Tulalip Reservation, Washington, <https://commons.wikimedia.org/wiki/File:Gabe_Gobin,_an_Indian_logger,_in_front_of_his_home._Tulalip_Reservation,_Washington,_1916_-_NARA_-_518929.tif>, created Dec. 31, 1915, print-out dated Aug. 22, 2017.

Wikipedia, Weaver Nest in Malaysia, https://en.wikipedia.org/wiki/Ploceidae#/media/File:Weaver_Nest.jpg <<https://en.wikipedia.org/wiki/Ploceidae#>>, created Mar. 28, 2013, print-out dated Aug. 22, 2017.

Fine Mod Imports Euro Aarnio Style Bubble Hanging Chair, www.instylemodern.com/Eero-Aarnio-Style-Bubble-Hanging-Chair-White-Cushi-p/1122-white-with-stand.htm <<http://www.instylemodern.com/Eero-Aarnio-Style-Bubble-Hanging-Chair-White-Cushi-p/1122-white-with-stand.htm>>, captured on Jun. 29, 2018.

ACME 2-Piece All Star Set Chair and Ottoman, Baseball, www.amazon.com/05528-2-Piece-Chair-Ottoman-Baseball/dp/B004H6UYAE <<http://www.amazon.com/05528-2-Piece-Chair-Ottoman-Baseball/dp/B004H6UYAE>>, captured Jun. 29, 2018.

Coaster Kid's Swivel Chair and Ottoman Set, Basketball Design, www.amazon.com/Coaster-Swivel-Ottoman-Basketball-2-Pieces/dp/B000W18UHA <<http://www.amazon.com/Coaster-Swivel-Ottoman-Basketball-2-Pieces/dp/B000W18UHA>>, captured on Jun. 29, 2018.

Fine Mod Imports Egg Hanging Chair, www.finemodimports.com/Egg_Hanging_Chair_p/fmi2208.htm <http://www.finemodimports.com/Egg_Hanging_Chair_p/fmi2208.htm>, captured on Jun. 29, 2018.

Design Market Nanna Ditzel Egg Chair, www.design-mkt.com/154-egg-hanging-chair-nanna-ditzel-1959.html <<http://www.design-mkt.com/154-egg-hanging-chair-nanna-ditzel-1959.html>>, captured Jun. 29, 2018.

Wildon Home Kid's Football Chair and Ottoman Set, www.amazon.com/Kids-Football-Chair-Ottoman-Set/dp/B00XYTD5FG/ <<http://www.amazon.com/Kids-Football-Chair-Ottoman-Set/dp/B00XYTD5FG/>>, captured Jun. 29, 2018.

Wicker Hanging Swing Patio Bed, www.karimunjavaadventure.com/item-detail/wicker-hanging-swing-patio-bed-swing-steel-garden-swing.html <<http://www.karimunjavaadventure.com/item-detail/wicker-hanging-swing-patio-bed-swing-steel-garden-swing.html>>, captured Jun. 29, 2018.

Football Hanging Chair on Alibaba, www.alibaba.com/product-detail/football-design-swing-hang-chair-outdoor_60325860005.html?spm=a2700.galleryofferlist.normalList.23.5f287b18021Byl <http://www.alibaba.com/product-detail/football-design-swing-hang-chair-outdoor_60325860005.html?spm=a2700.galleryofferlist.normalList.23.5f287b18021Byl>, captured Jun. 29, 2018.

Round Rattan Outdoor Bed, gtoparts.en.alibaba.com/product/60149906396-221138431/Round_rattan_outdoor_bed_outdoor_swing_bed_round_hanging_bed_round.html?spm=a2700.8304367.prewdfa4cf.1.576f3e26neSEBx, captured Jun. 29, 2018.

Round Egg Straight Hanging Chair, gtoparts.en.alibaba.com/product/60194886386-221138431/Outdoor_Wicker_Patio_Furniture_Round_Egg_Straight_Hanging_Chair_NEW_.html?spm=a2700.8304367.prewdfa4cf.16.e5203e27WgVkmD, captured Jun. 29, 2018.

Swing Hanging Chair, gtoparts.en.alibaba.com/product/60134002497-221138431/Swing_hanging_chair_cheap_material_PE_rattan_popular_in_many_countries.html?spm=a2700.8304367.prewdfa4cf.4.45803e26KjE2Q6, captured Jun. 29, 2018.

2015 New Model Wooden Horse Swing, gtoparts.en.alibaba.com/product/60145838006-221138431/2015_new_model_wooden_horse_swing.html?spm=a2700.8304367.prewdfa4cf.13.7d4d3e26lv1M0a, captured Jun. 29, 2018.

Two Seat Hanging Swing Chair, gtoparts.en.alibaba.com/product/60449144448-221138431/Outdoor_two_seat_hanging_swing_chair_for_adult.html?spm=a2700.8304367.prewdfa4cf.16.633e3e1dUpVBU5, captured Jun. 29, 2018.

Nest Chair Patio Swing, gtoparts.en.alibaba.com/product/60672125777-221138431/Nest_Chair_Patio_Swing_Chair_Hanging_Hammock.html?spm=a2700.8304367.prewdfa4cf.10.309b3e60xpCfW0, captured Jun. 29, 2018.

Comfortable Bedroom Chair, gtoparts.en.alibaba.com/product/60565028285-221138431/Wholesale_best_selling_in_Poland_comfortable_bedroom_chairs.html?spm=a2700.8304367.prewdfa4cf.28.558a3e18W54nwH, captured Jun. 29, 2018.

Round Swing Chair, gtoparts.en.alibaba.com/product/60390746146-221138431/hot_sale_round_swing_chair_hanging_chair_with_cushion_for_1_person_hanging_garden_rocking_chair.html?spm=a2700.8304367.prewdfa4cf.1.48593e67yWB6YI, captured Jun. 29, 2018.

Multicolored Apple Shape Chair, gtoparts.en.alibaba.com/product/60130025317-221138431/multicolored_apple_shape_hammock_eco_friend_handmade_chair_with_natural_rattan_and_bamboo_hanging_chair.html?spm=a2700.8304367.prewdfa4cf.34.37be3e27VLPilR, captured Jun. 29, 2018.

Fine Mod Imports Bird Hanging Chair, <<https://www.hammockup.com/products/bird-hanging-chair-white?variant=1848133877769>>, captured Jul. 3, 2018.

* cited by examiner

(74) *Attorney, Agent, or Firm* — Young Basile Hanlon & MacFarlane, P.C.

(57)

CLAIM

The ornamental design for a chair, as shown and described.

DESCRIPTION

FIG. 1 is a front perspective view of a chair according to a first embodiment.

FIG. 2 is a rear perspective view of the chair of FIG. 1.

FIG. 3 is a front view of the chair of FIG. 1.

FIG. 4 is a rear view of the chair of FIG. 1.

FIG. 5 is a left-side view of the chair of FIG. 1.

FIG. 6 is a right-side view of the chair of FIG. 1.

FIG. 7 is a top view of the chair of FIG. 1.

FIG. 8 is a bottom view of the chair of FIG. 1.

FIG. 9 is a front perspective view of a chair according to a second embodiment.

FIG. 10 is a rear perspective view of the chair of FIG. 9.

FIG. 11 is a front view of the chair of FIG. 9.

FIG. 12 is a rear view of the chair of FIG. 9.

FIG. 13 is a left-side view of the chair of FIG. 9.

FIG. 14 is a right-side view of the chair of FIG. 9.

FIG. 15 is a top view of the chair of FIG. 9.

FIG. 16 is a bottom view of the chair of FIG. 9.

FIG. 17 is a front perspective view of a chair according to a third embodiment.

FIG. 18 is a rear perspective view of the chair of FIG. 17.

FIG. 19 is a front view of the chair of FIG. 17.

FIG. 20 is a rear view of the chair of FIG. 17.

FIG. 21 is a left-side view of the chair of FIG. 17.

FIG. 22 is a right-side view of the chair of FIG. 17.

FIG. 23 is a top view of the chair of FIG. 17.

FIG. 24 is a bottom view of the chair of FIG. 17.

FIG. 25 is a front perspective view of a chair according to a fourth embodiment.

FIG. 26 is a rear perspective view of the chair of FIG. 25.

FIG. 27 is a front view of the chair of FIG. 25.

FIG. 28 is a rear view of the chair of FIG. 25.

FIG. 29 is a left-side view of the chair of FIG. 25.

FIG. 30 is a right-side view of the chair of FIG. 25.

FIG. 31 is a top view of the chair of FIG. 25; and,

FIG. 32 is a bottom view of the chair of FIG. 25.

In the drawings, the ornamental design that is claimed is shown in solid lines. The broken lines form no part of the claimed design.

1 Claim, 32 Drawing Sheets

FIG. 1

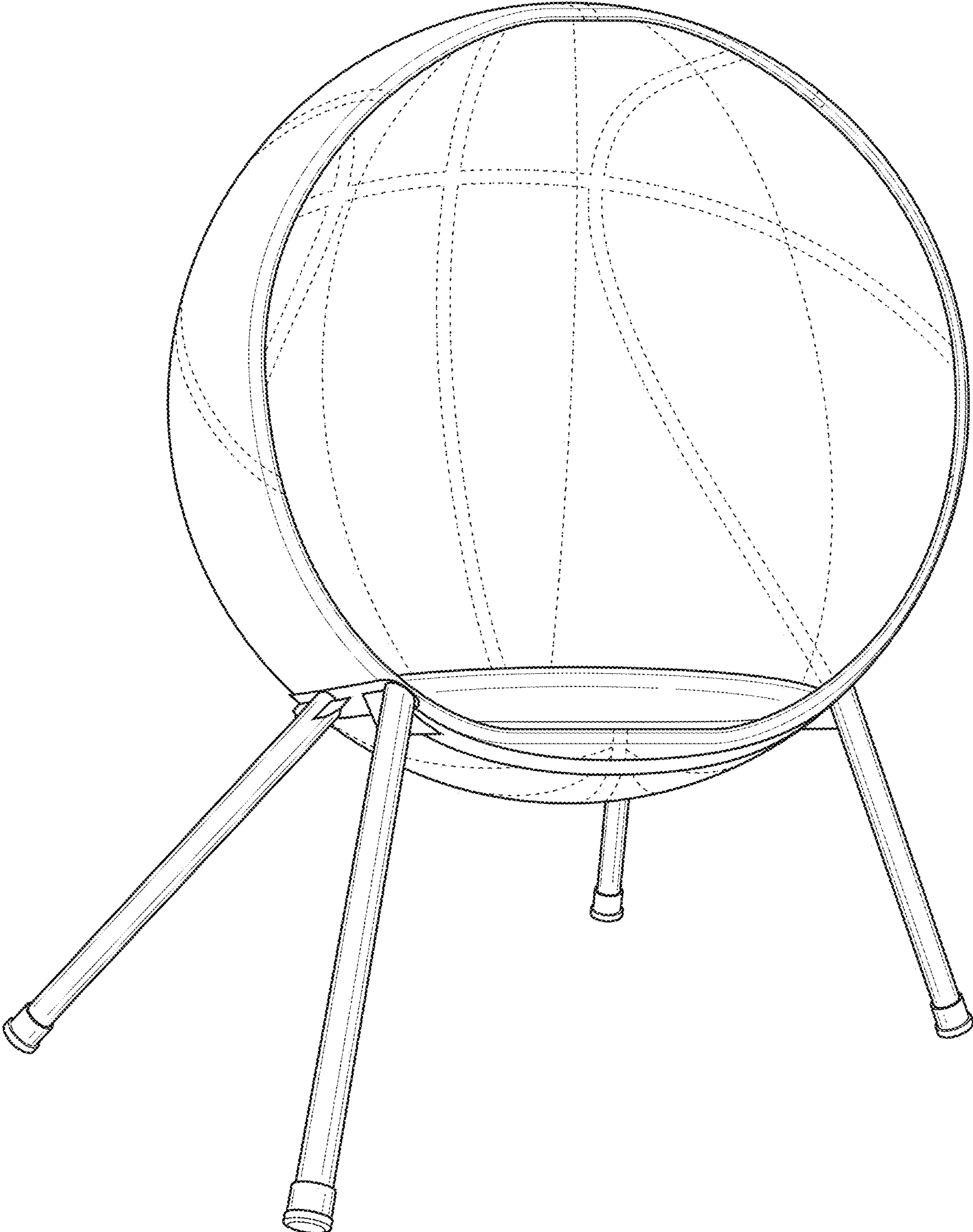


FIG. 2

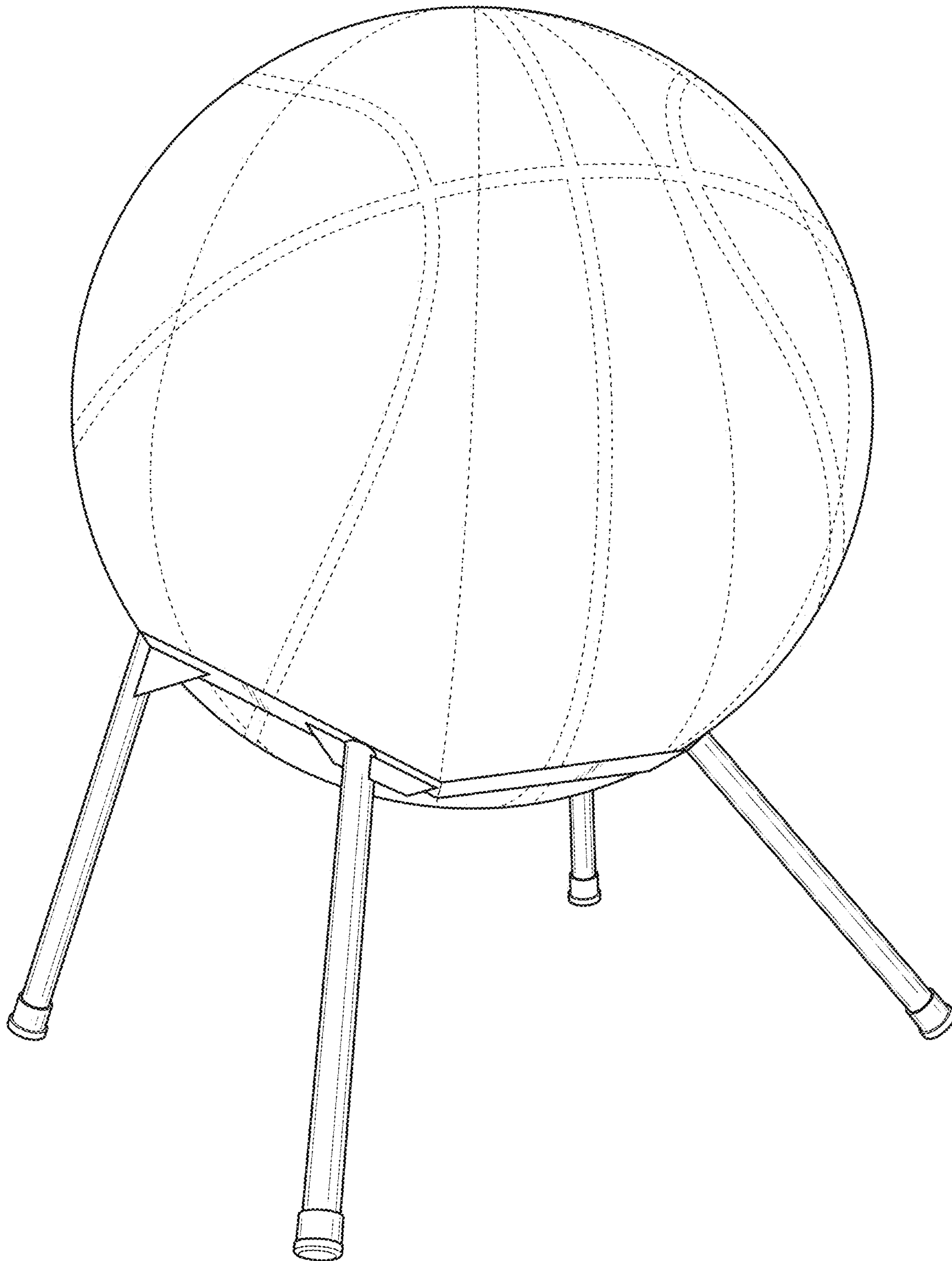


FIG. 3

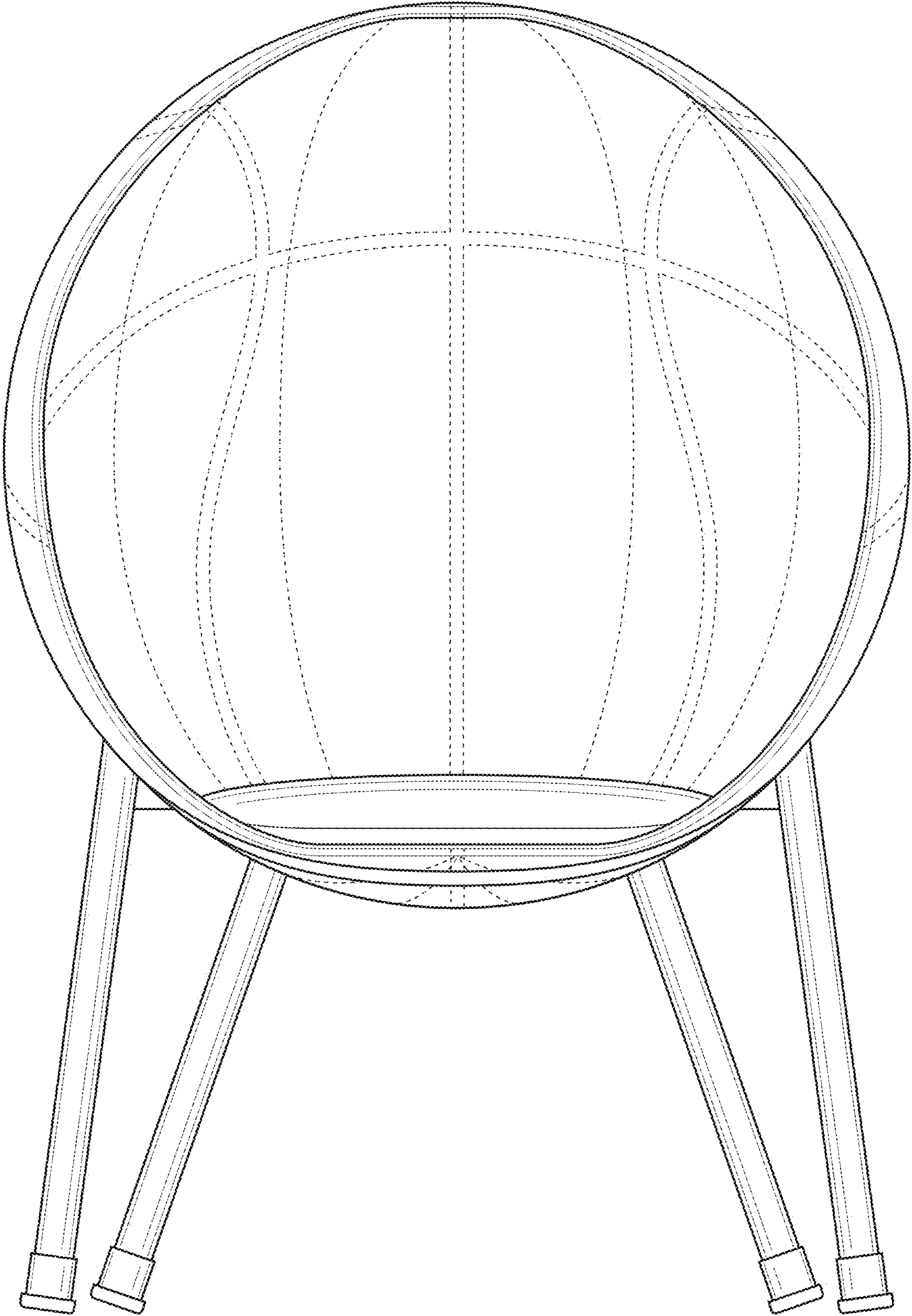


FIG. 4

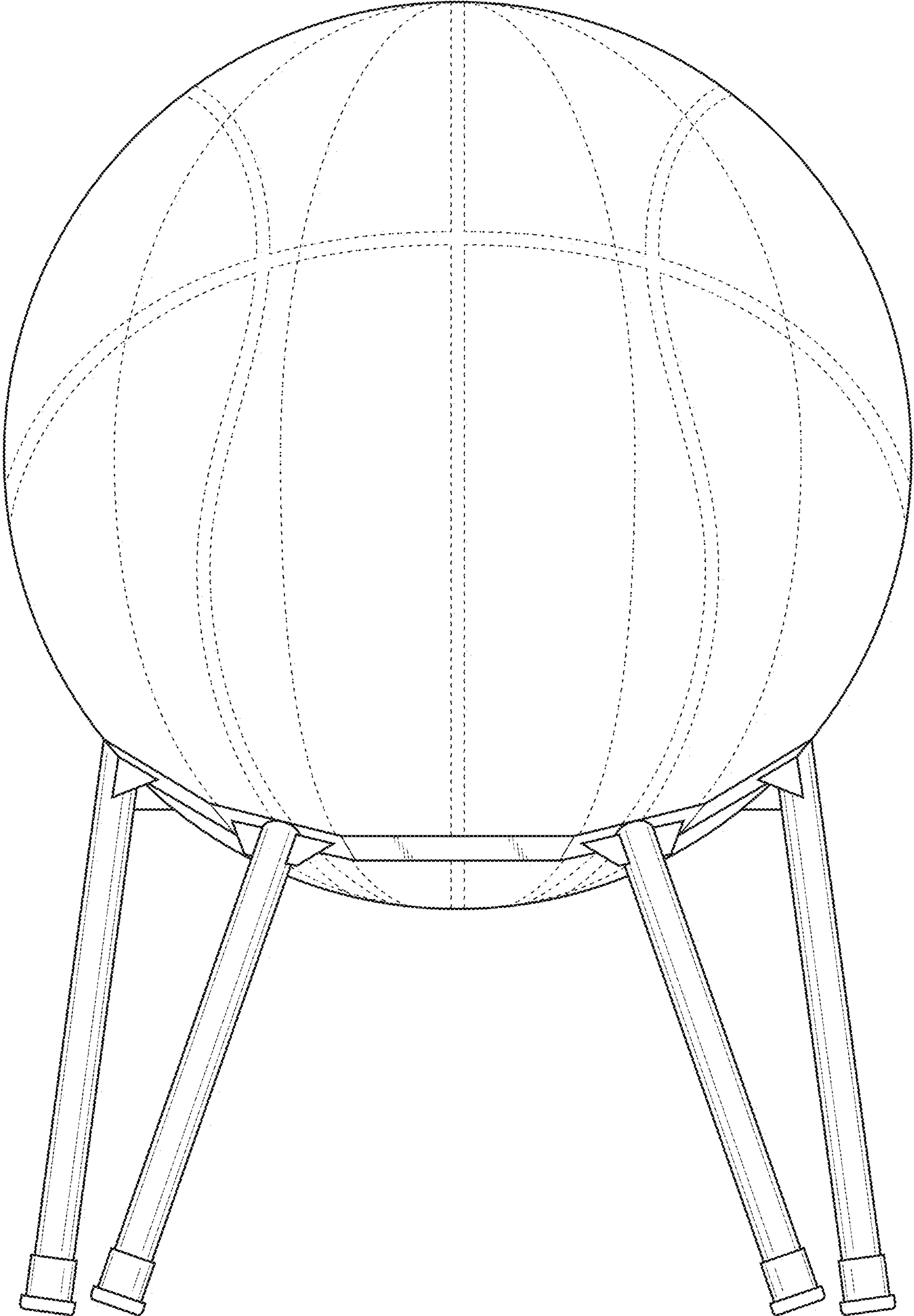


FIG. 5

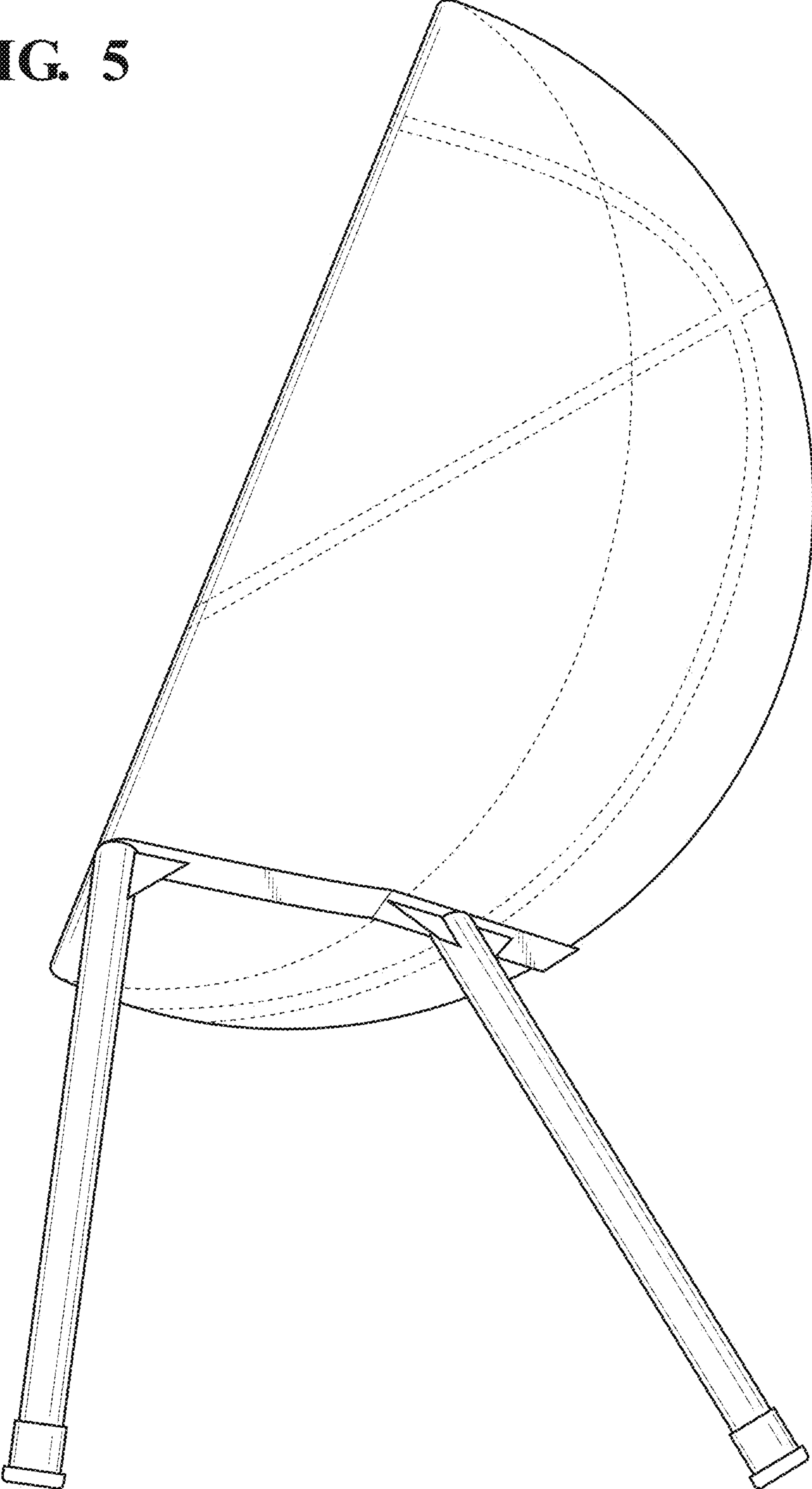


FIG. 6

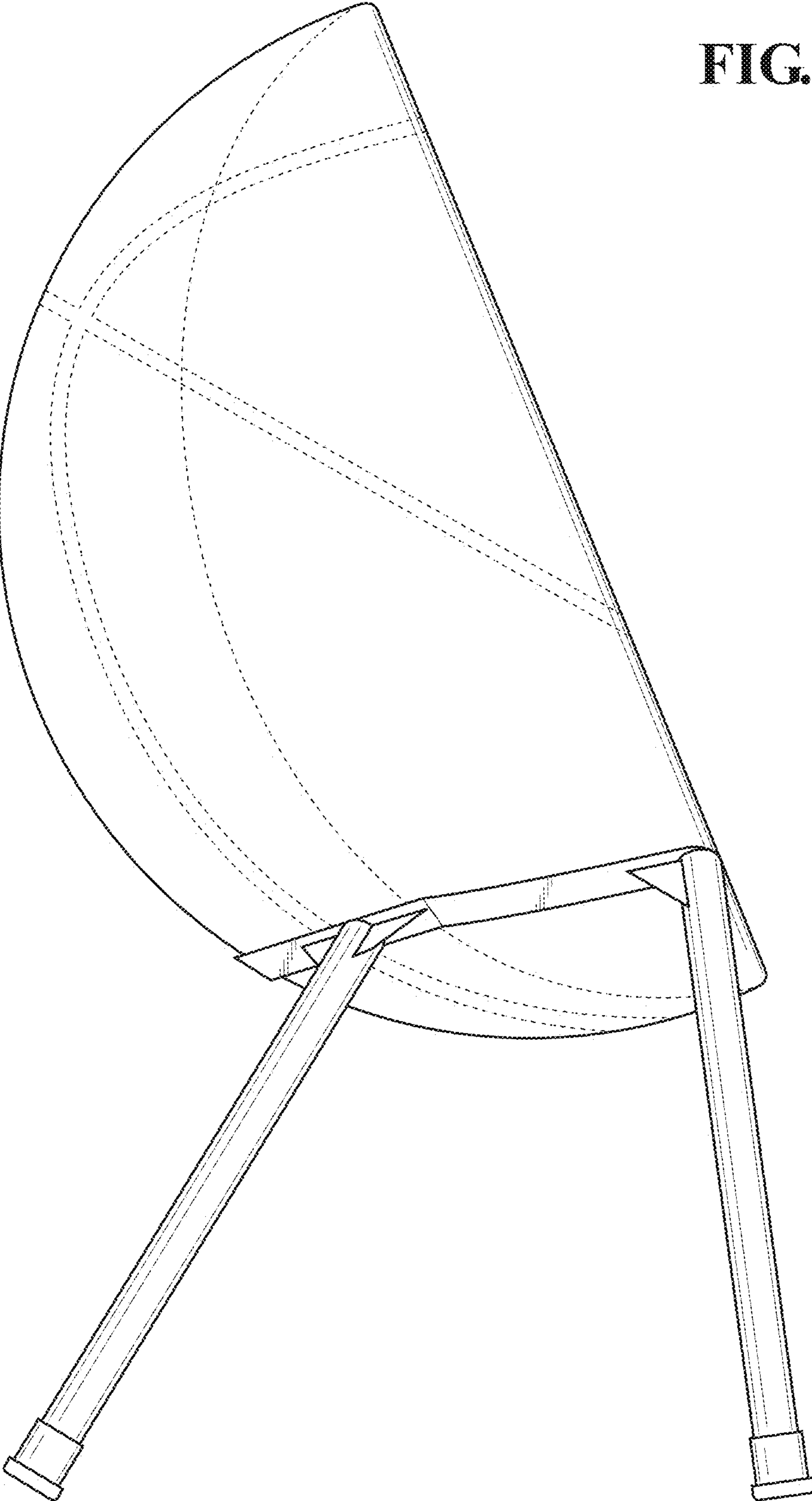


FIG. 7

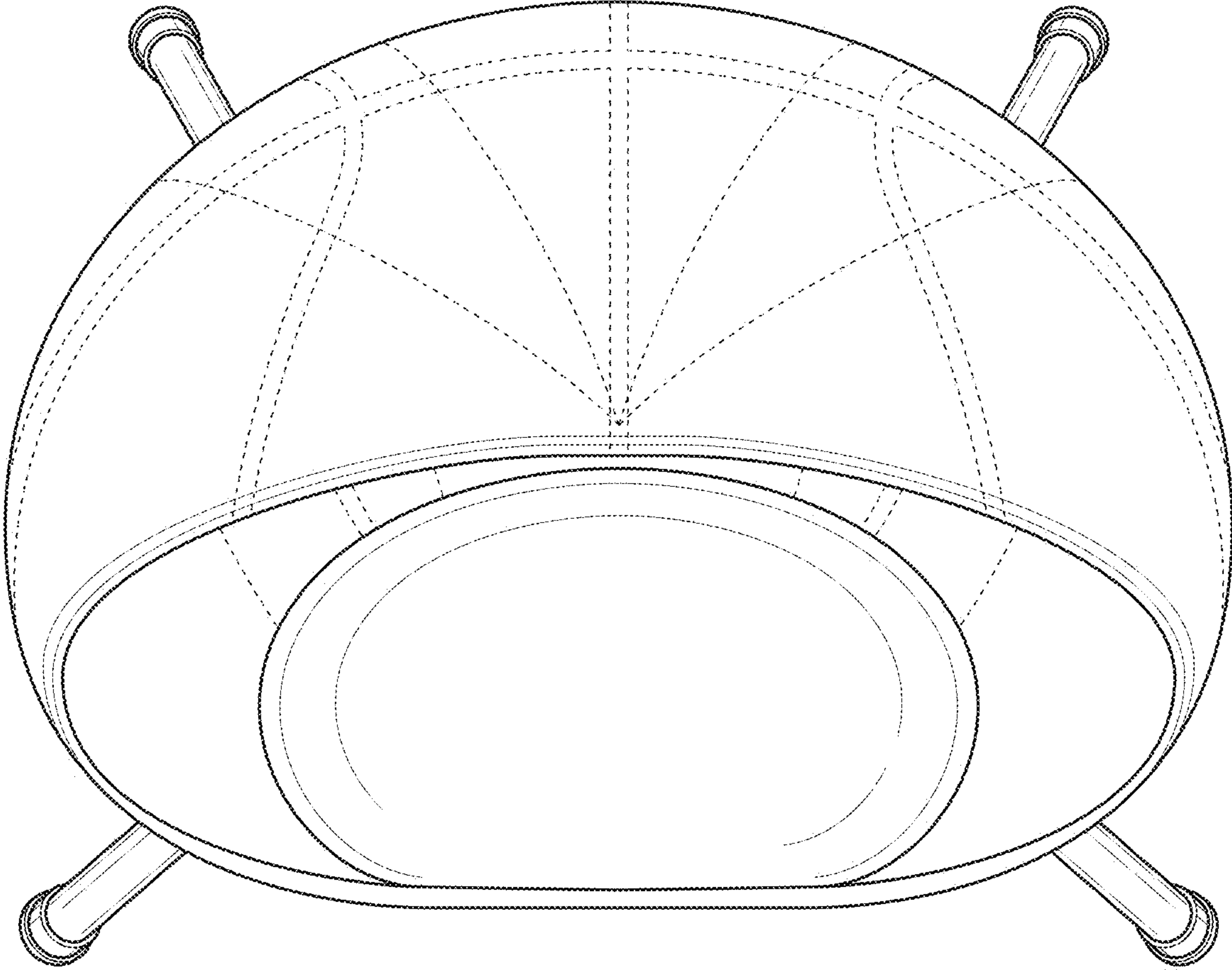


FIG. 8

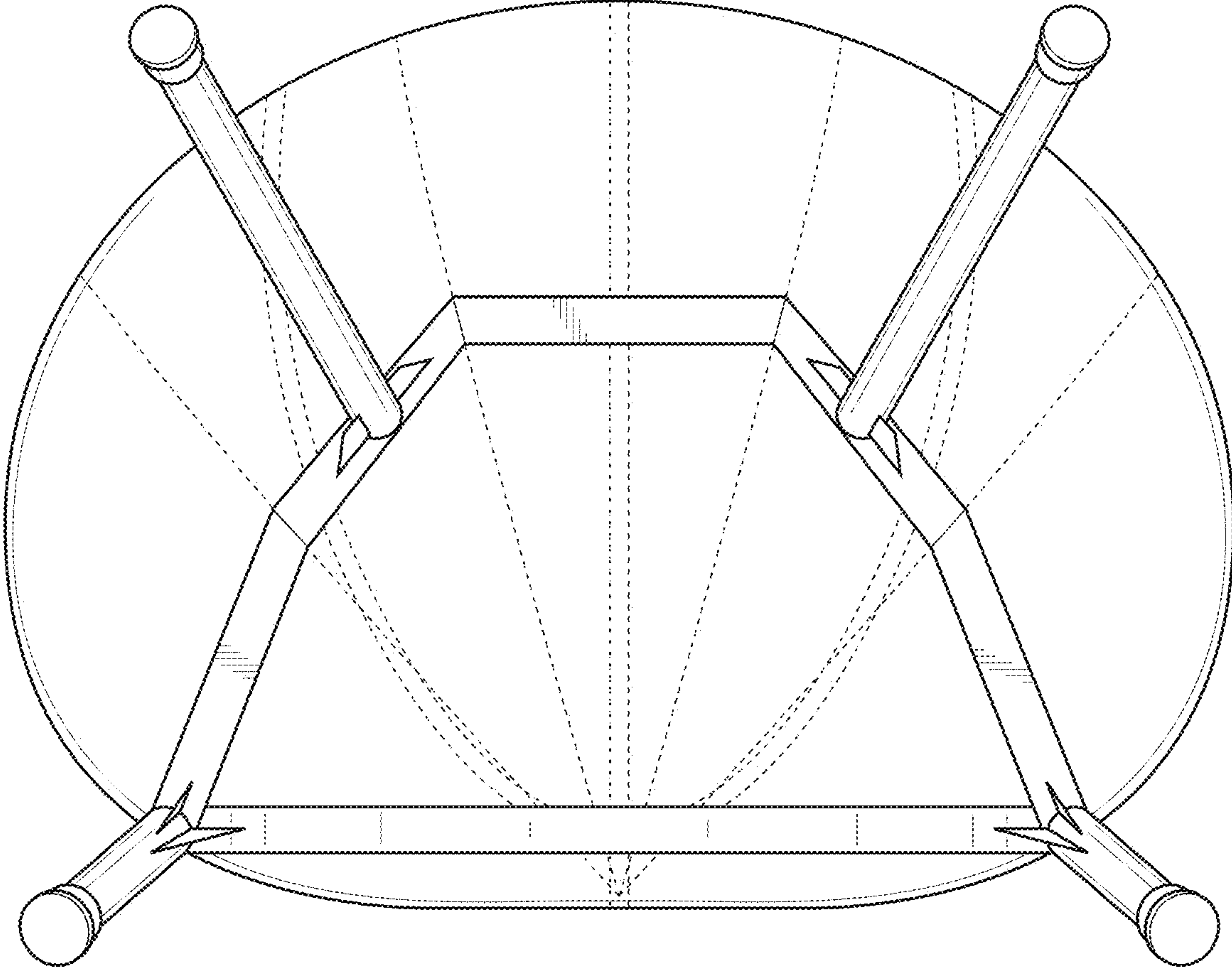


FIG. 9



FIG. 10

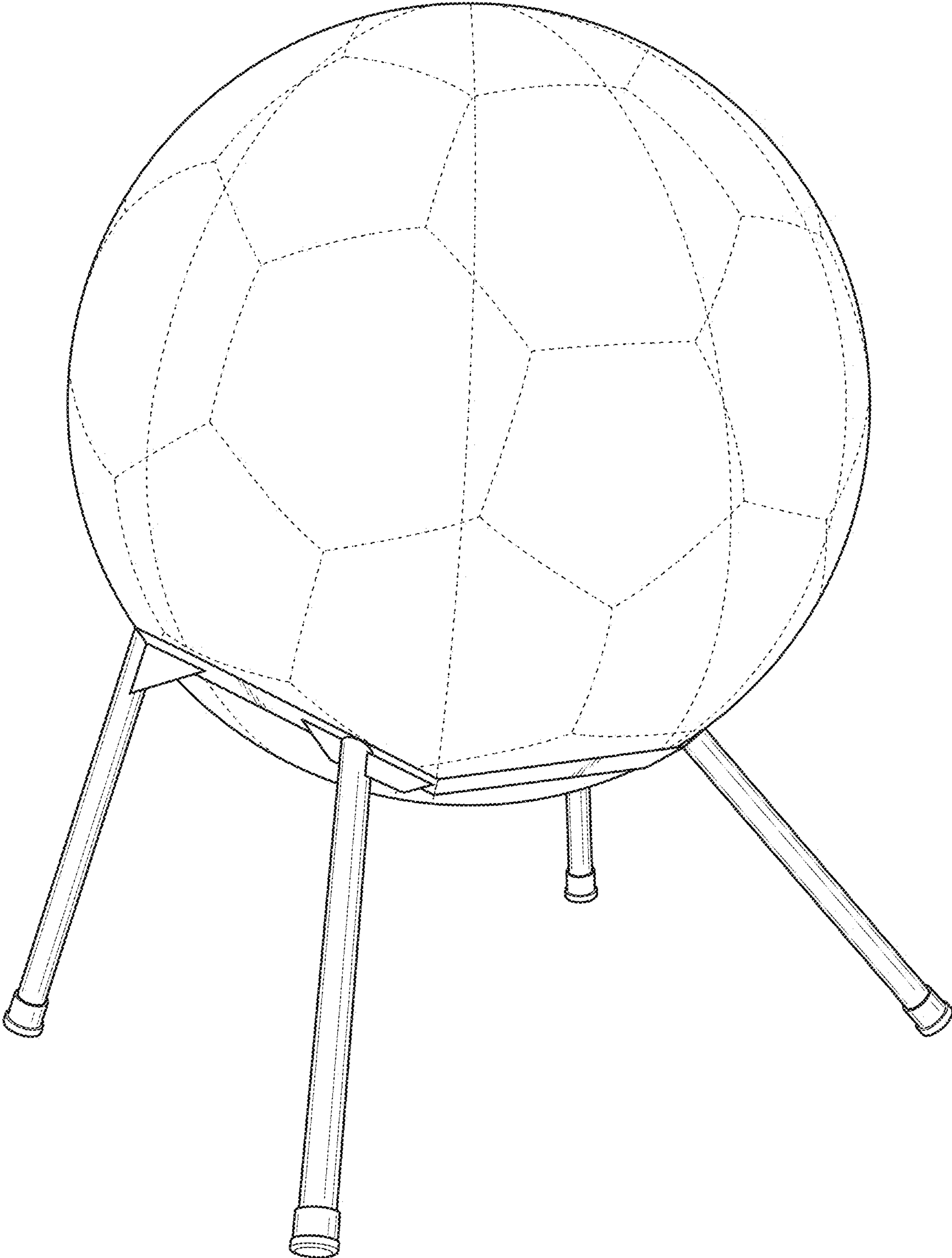


FIG. 11

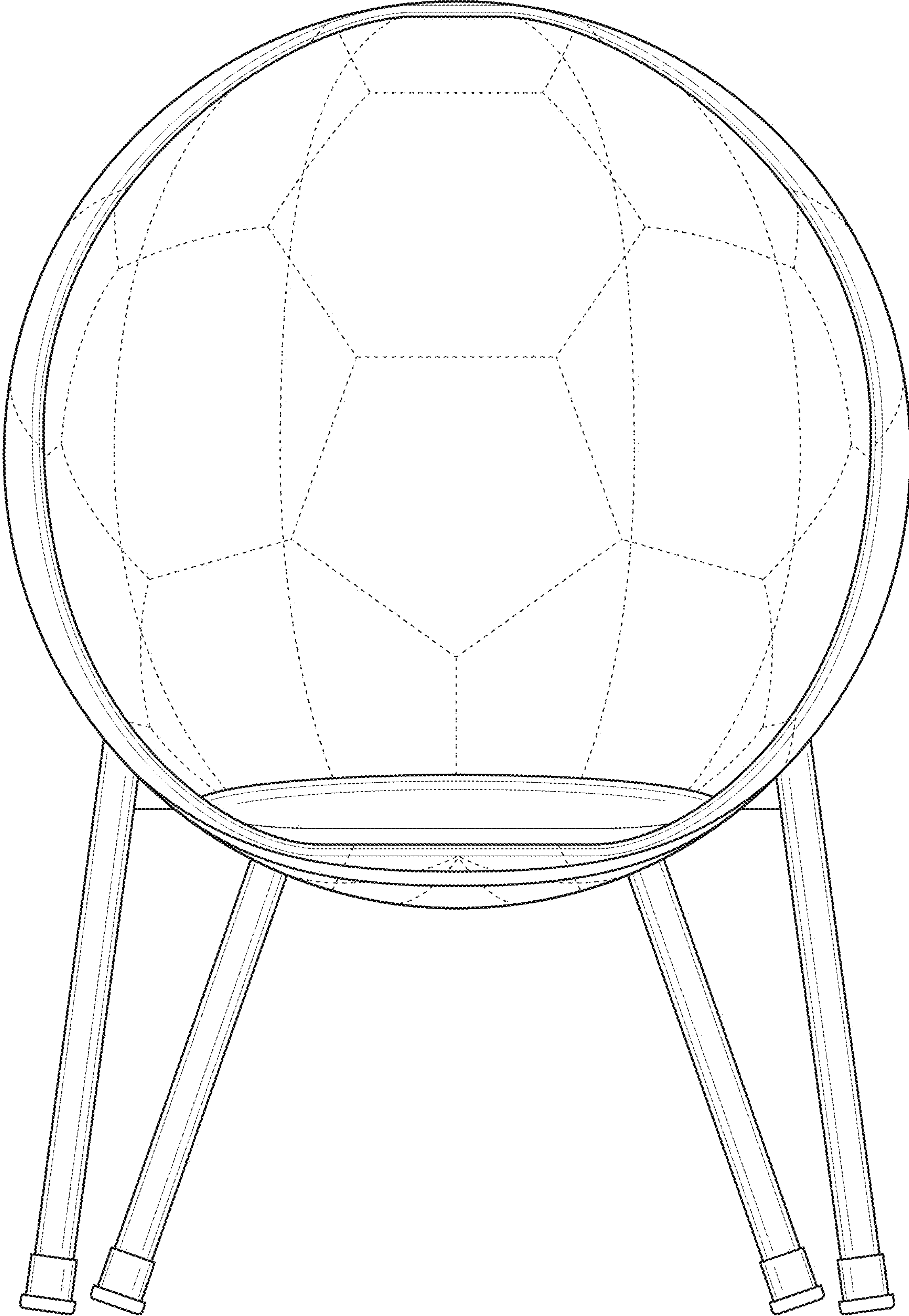


FIG. 12

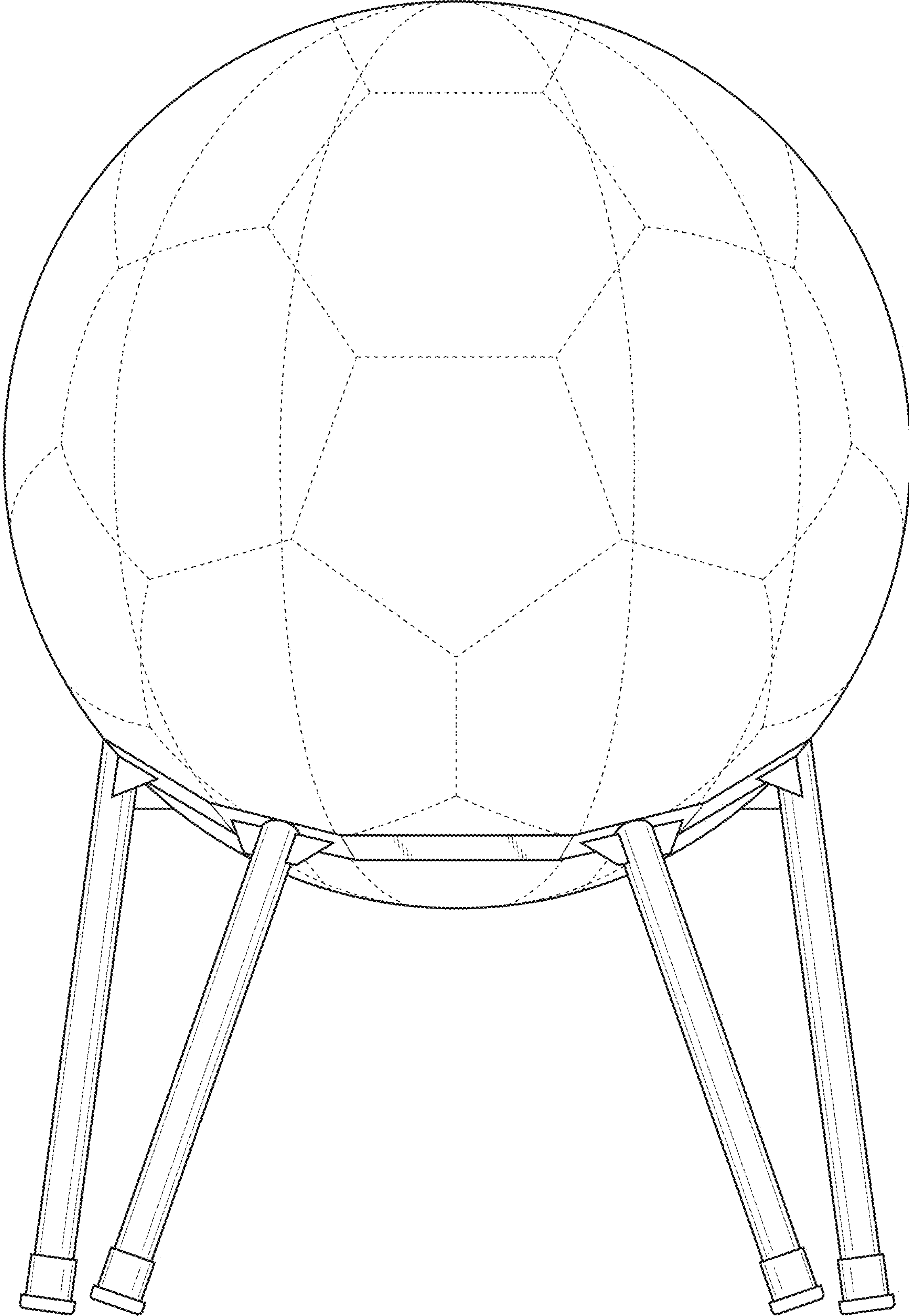


FIG. 13

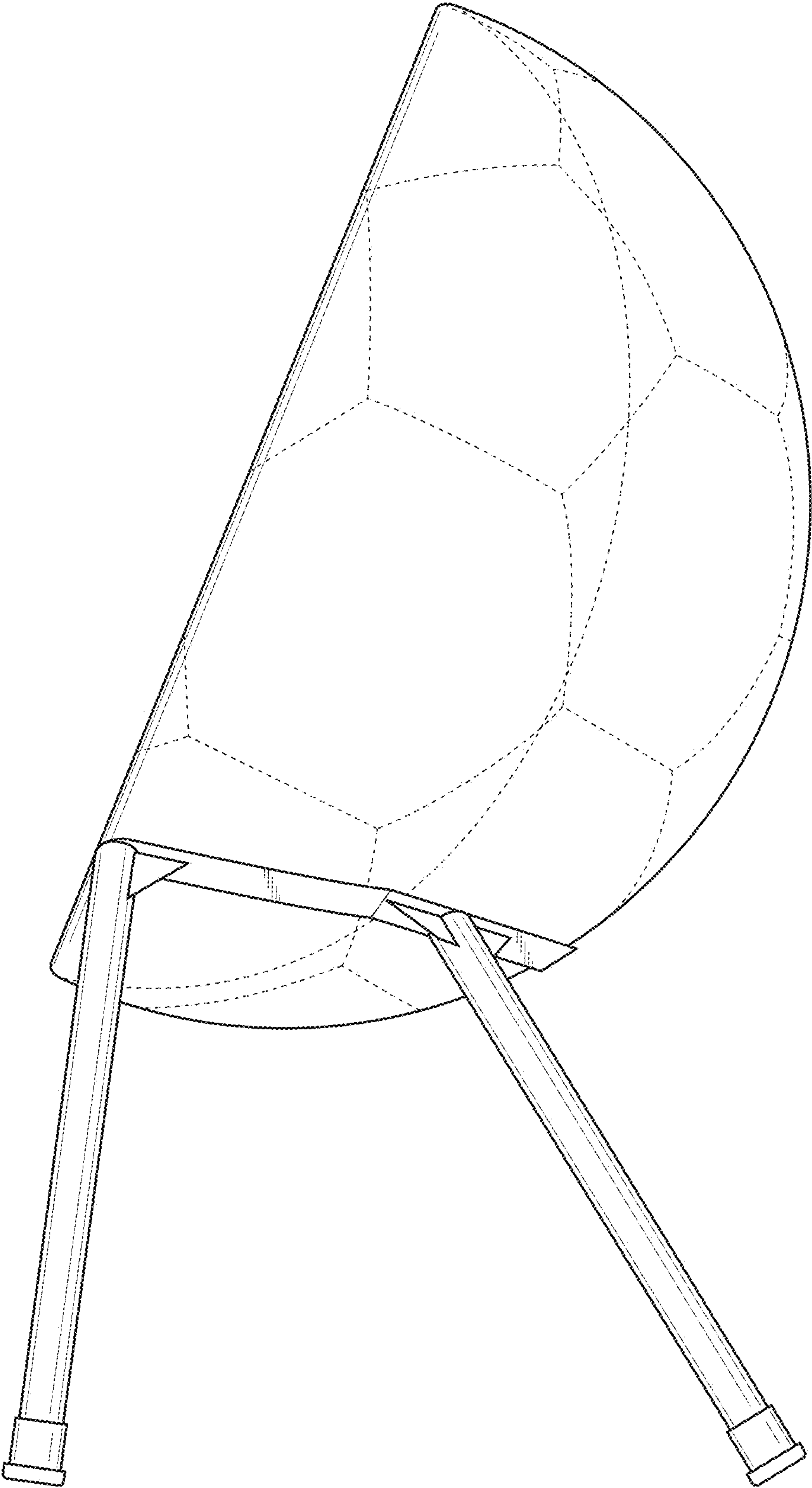


FIG. 14

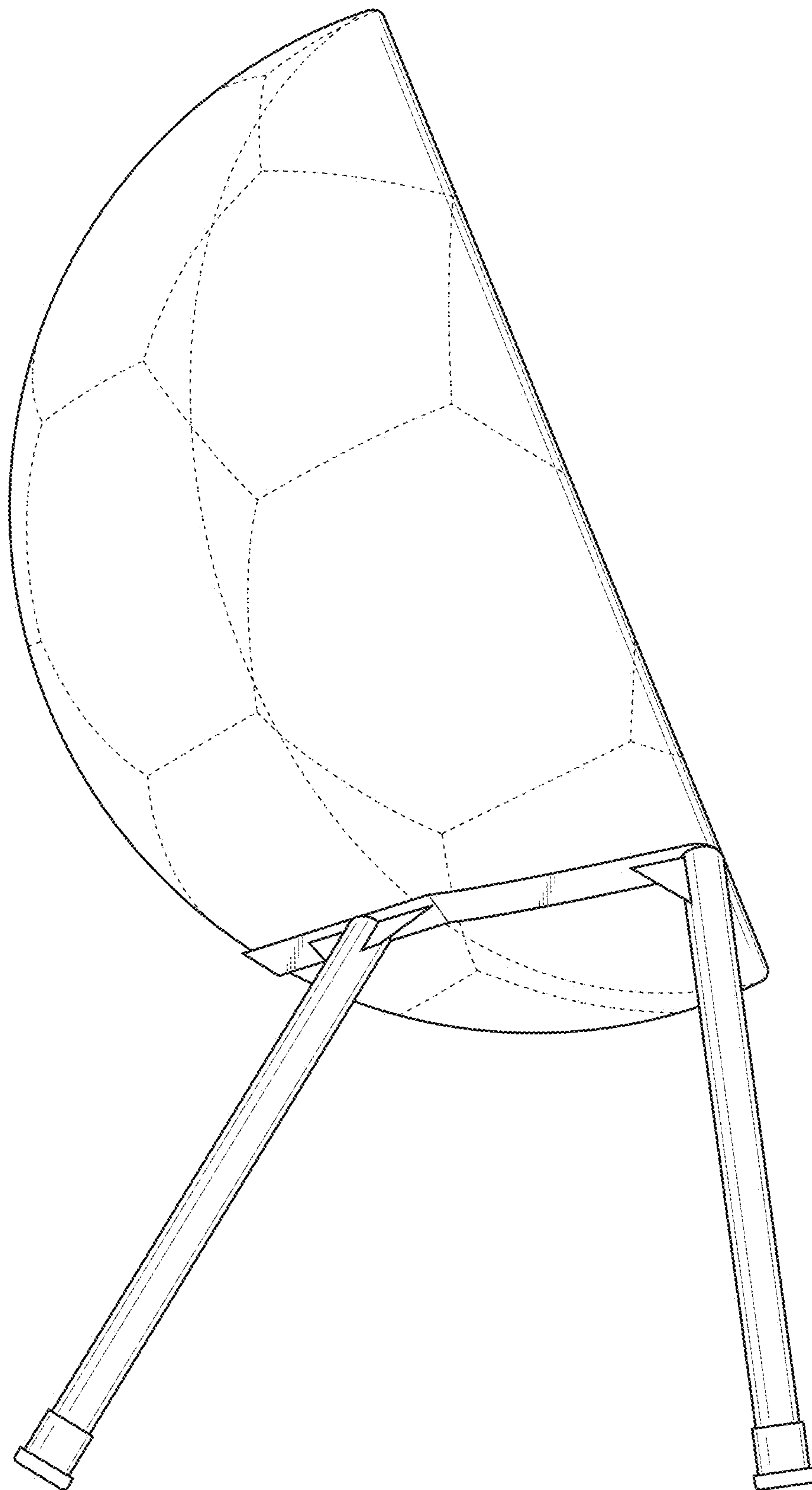


FIG. 15

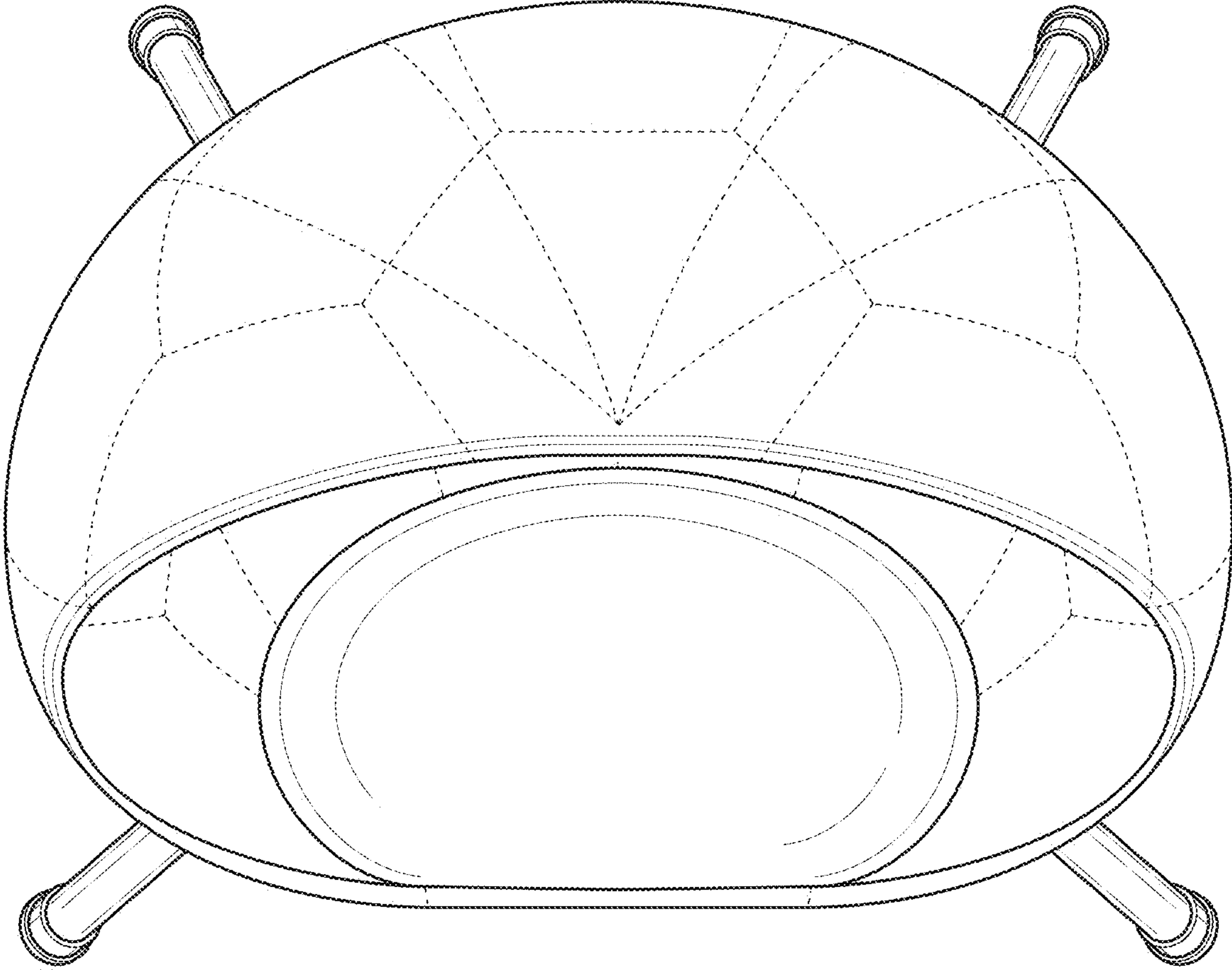


FIG. 16

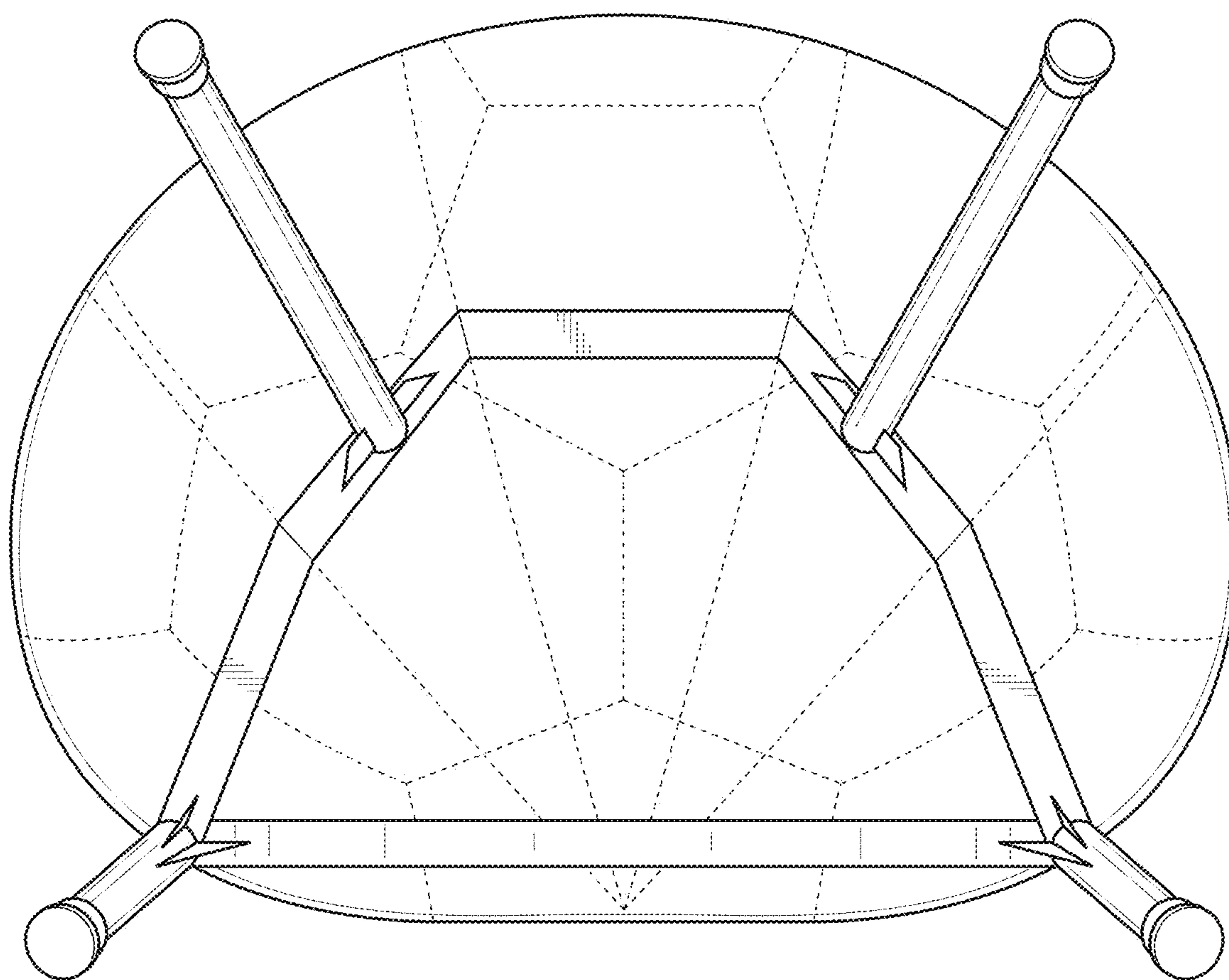


FIG. 17

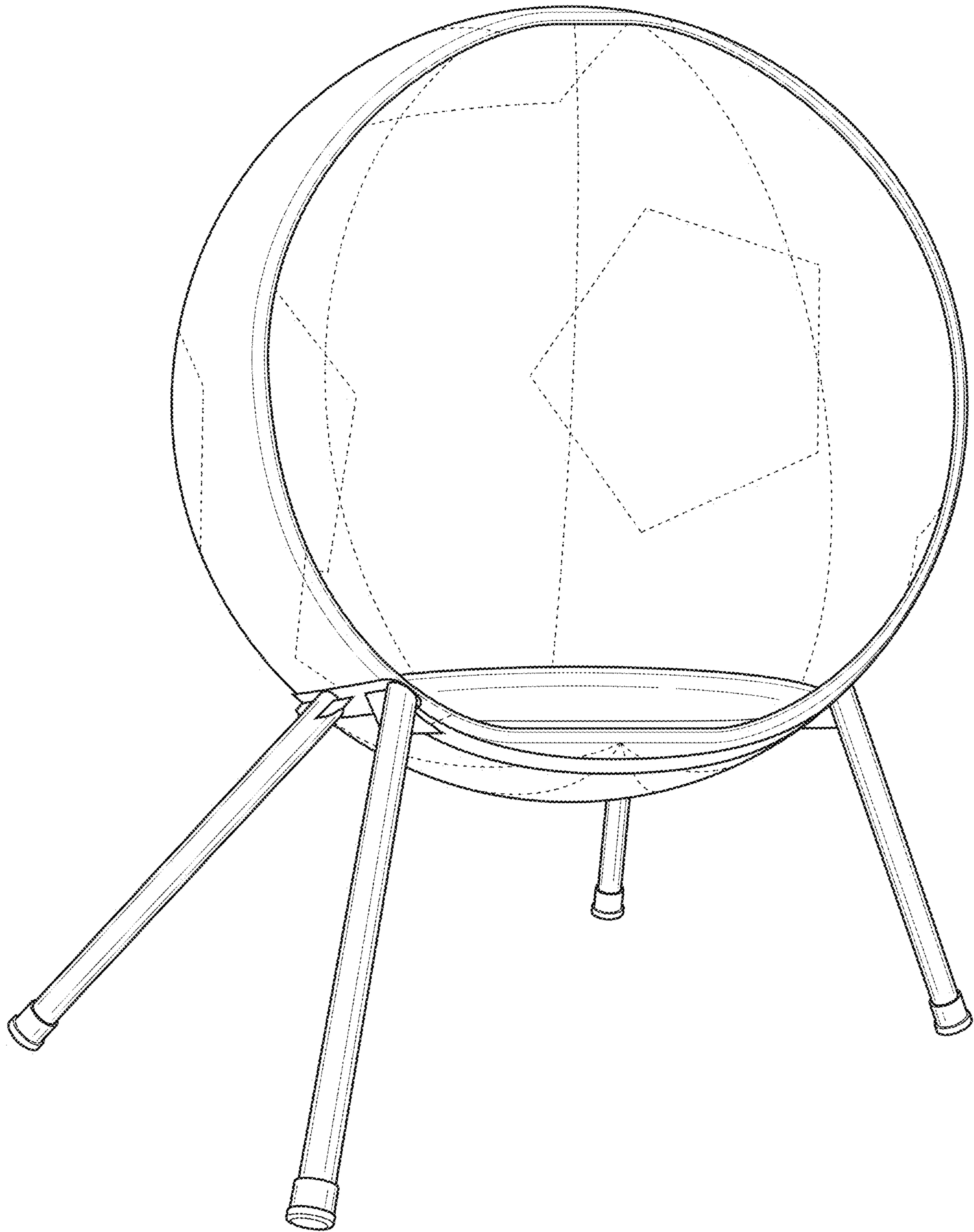


FIG. 18

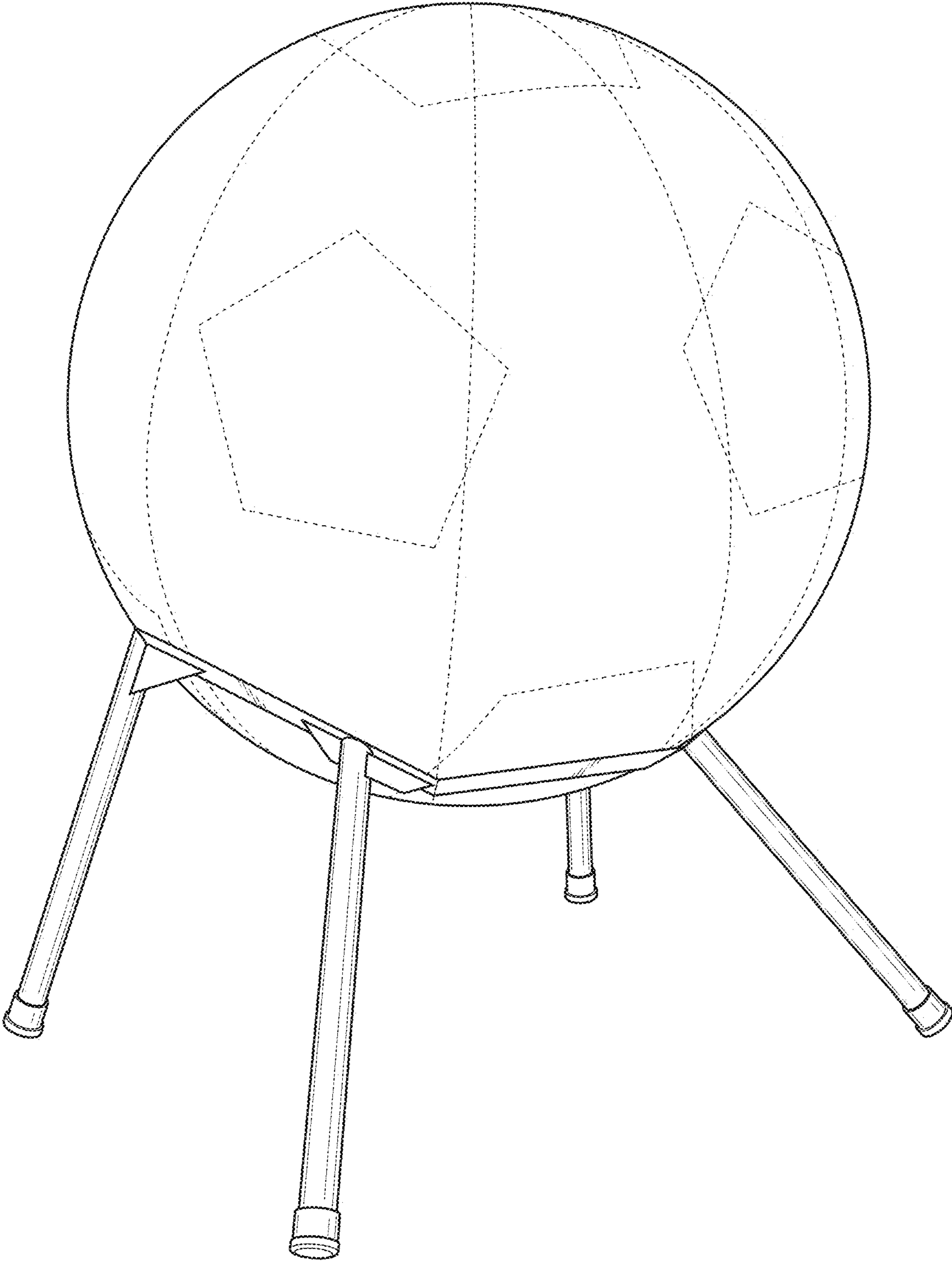


FIG. 19

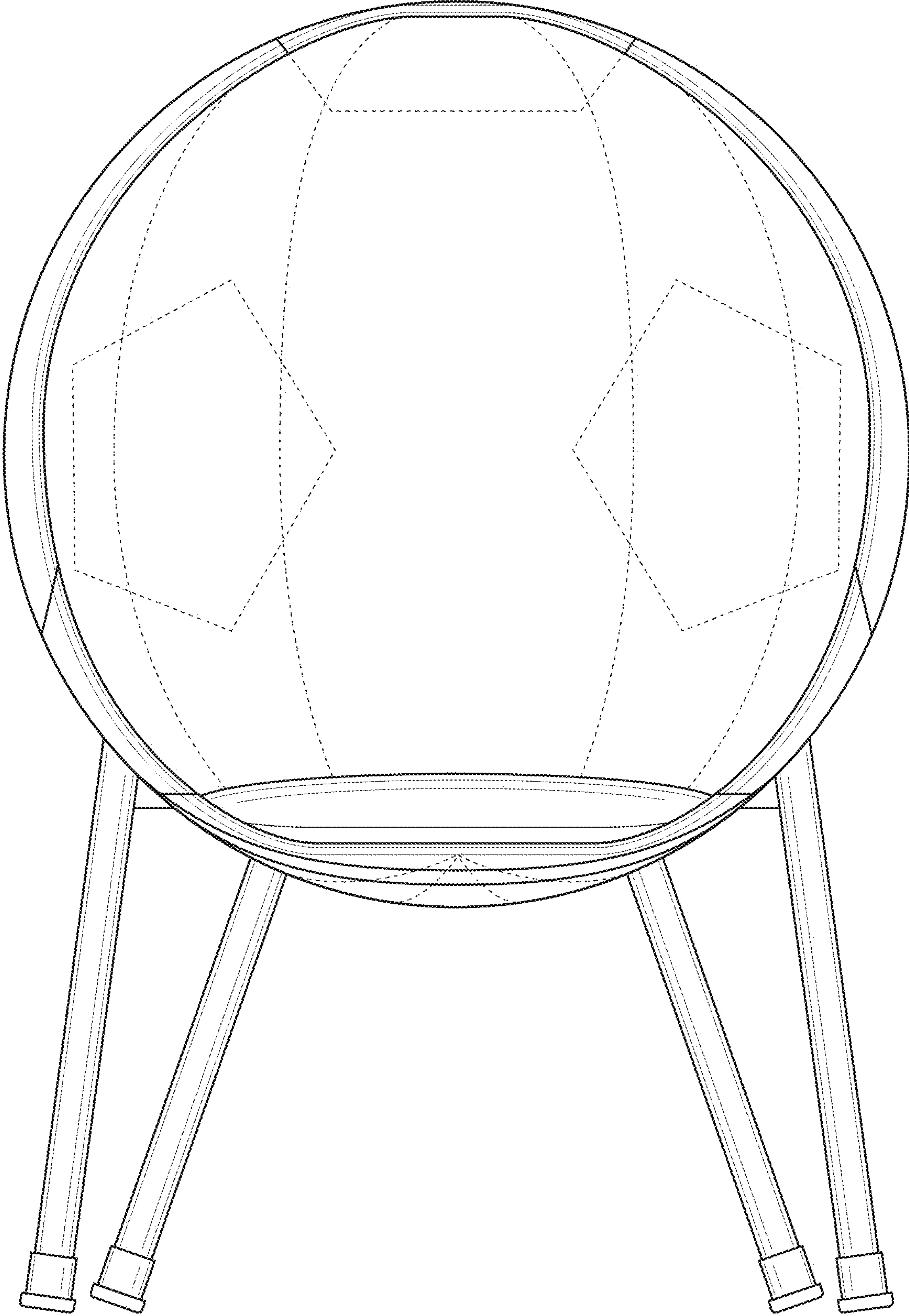


FIG. 20

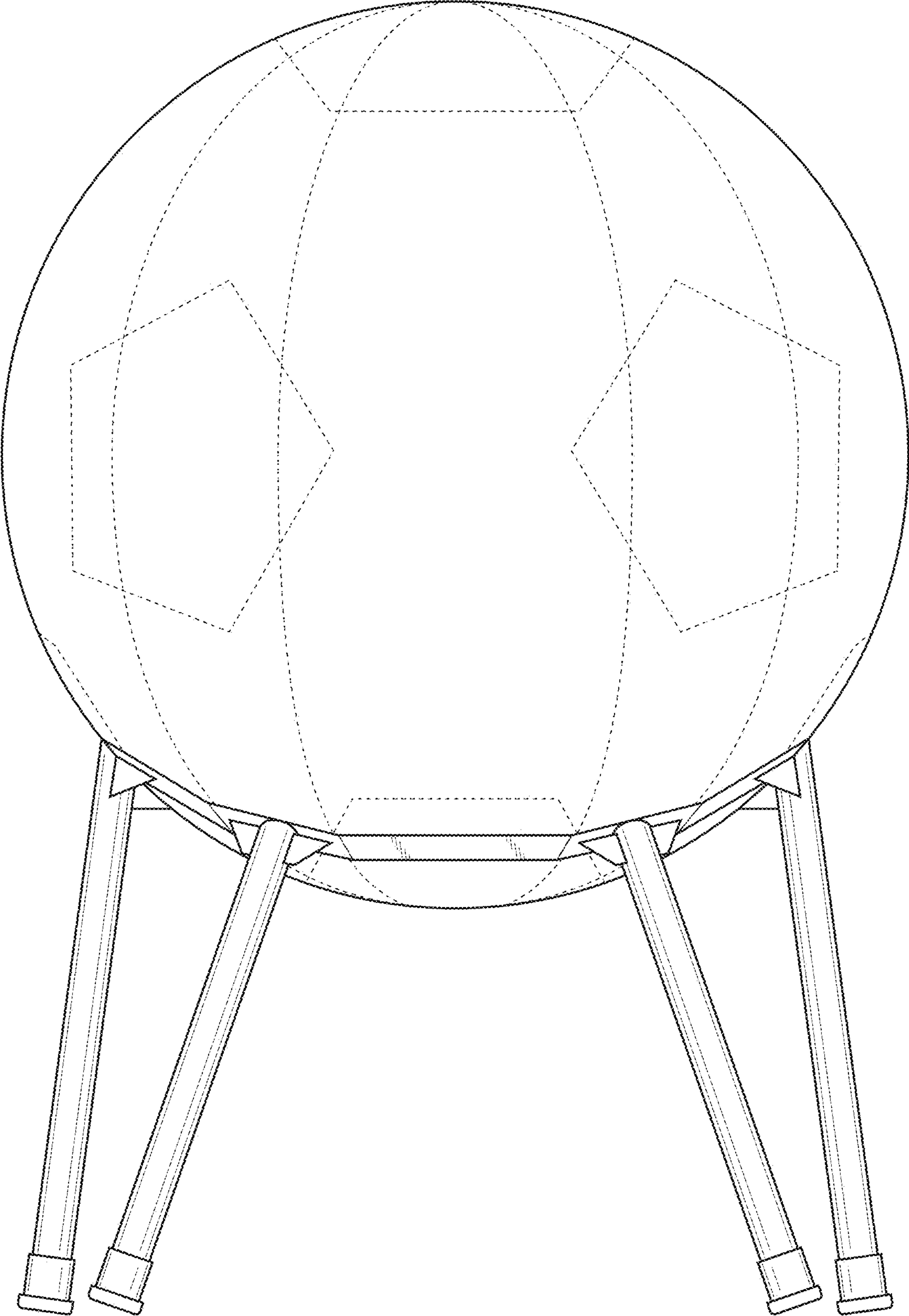


FIG. 21

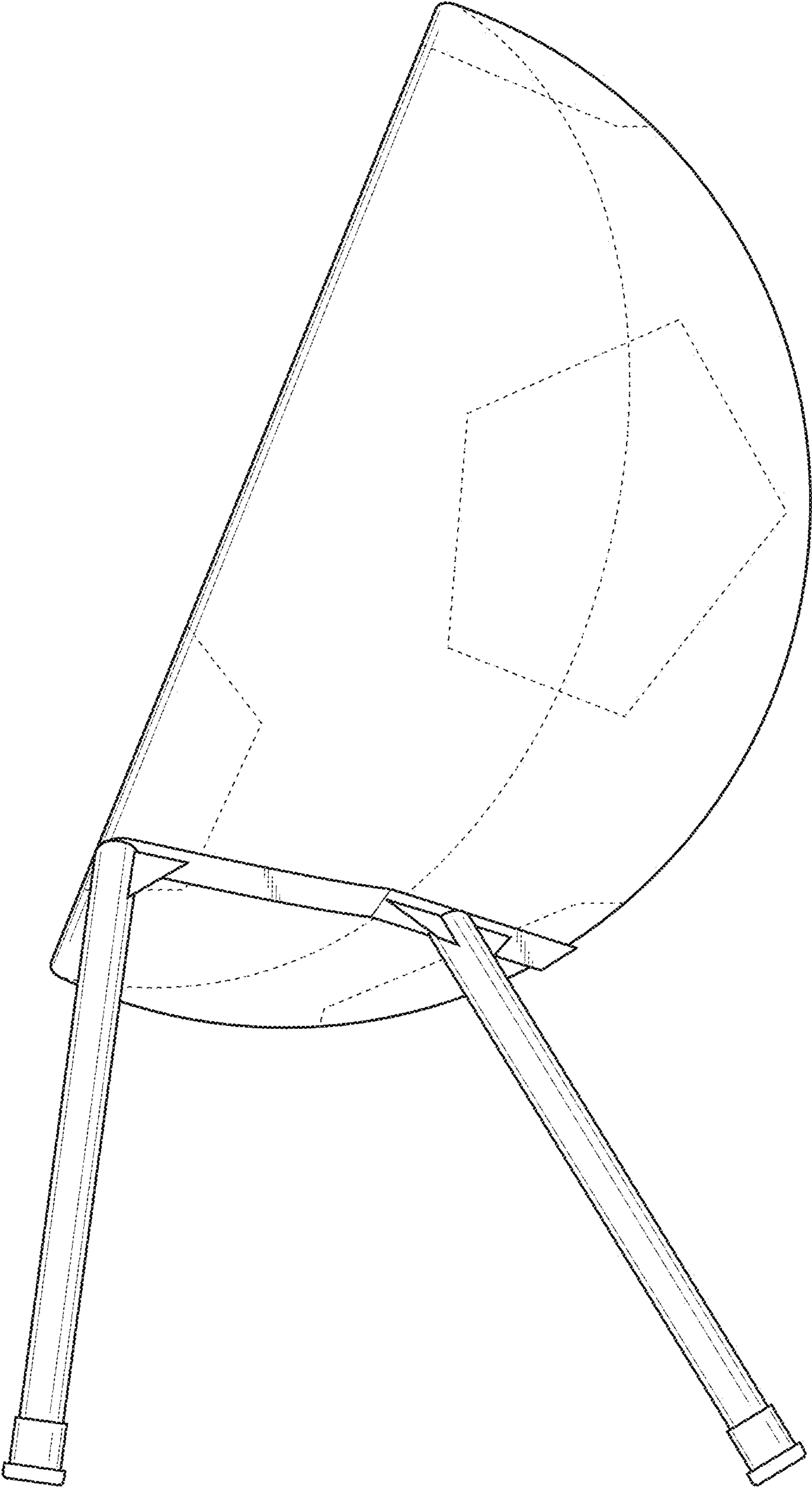


FIG. 22

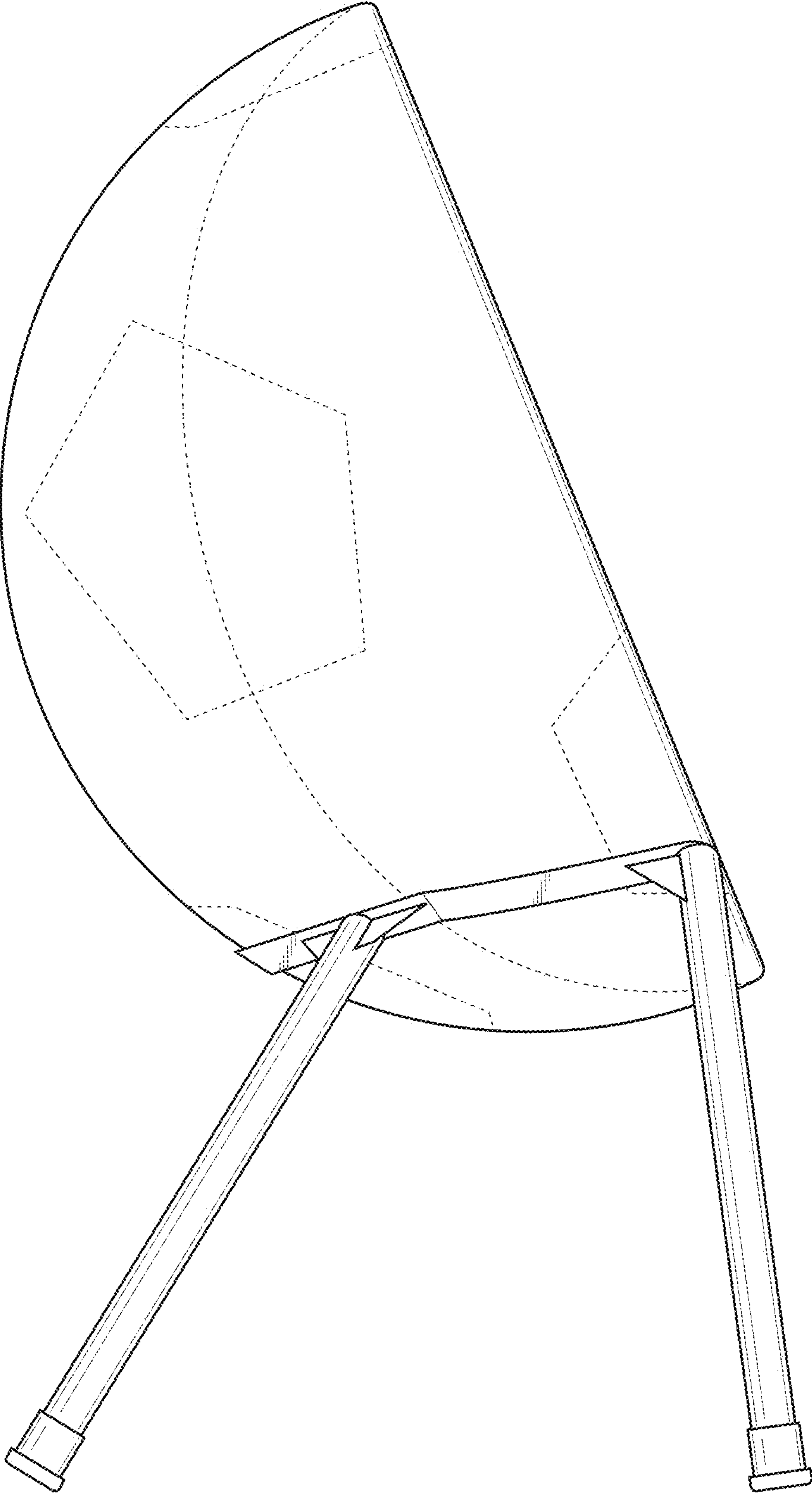


FIG. 23

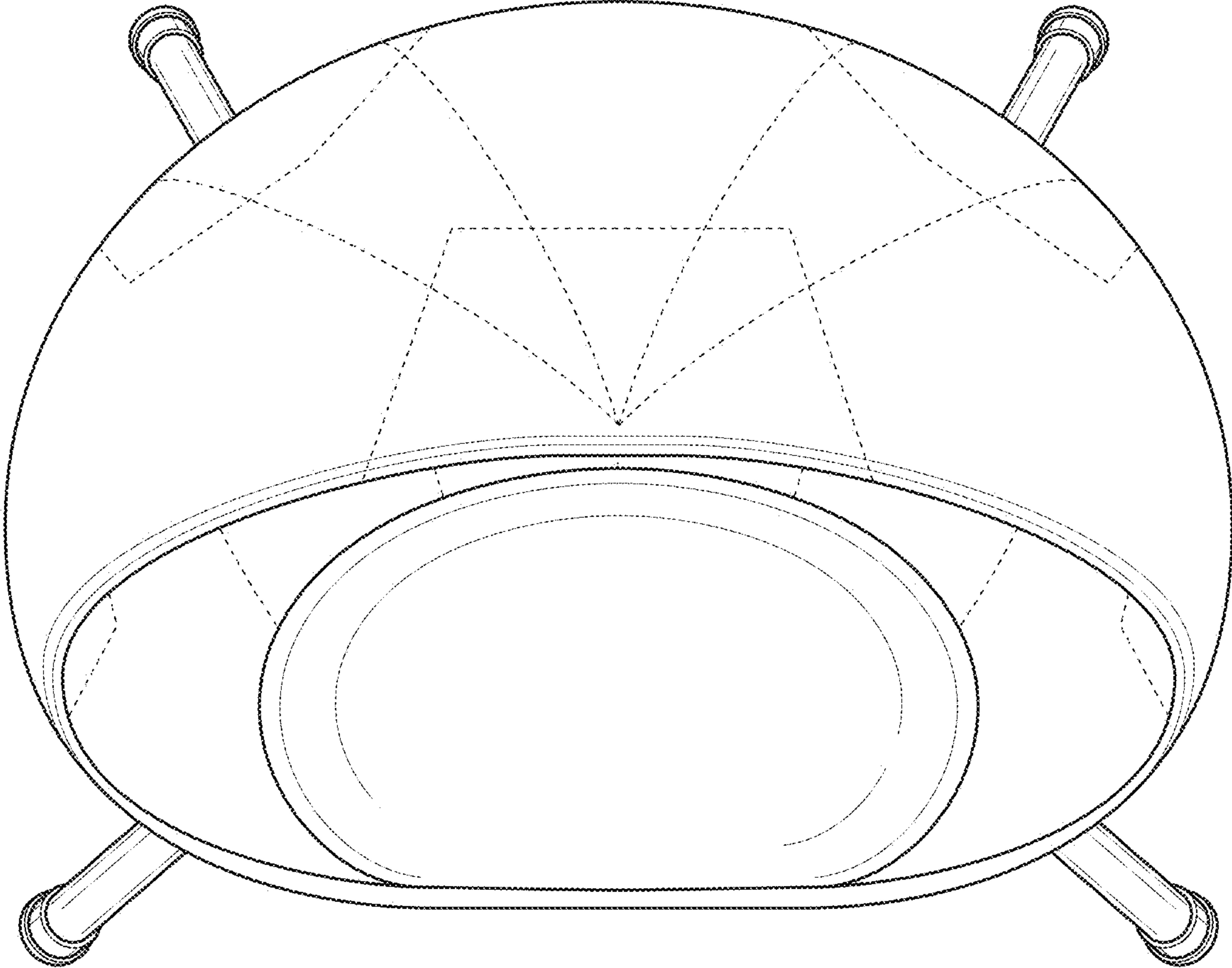


FIG. 24

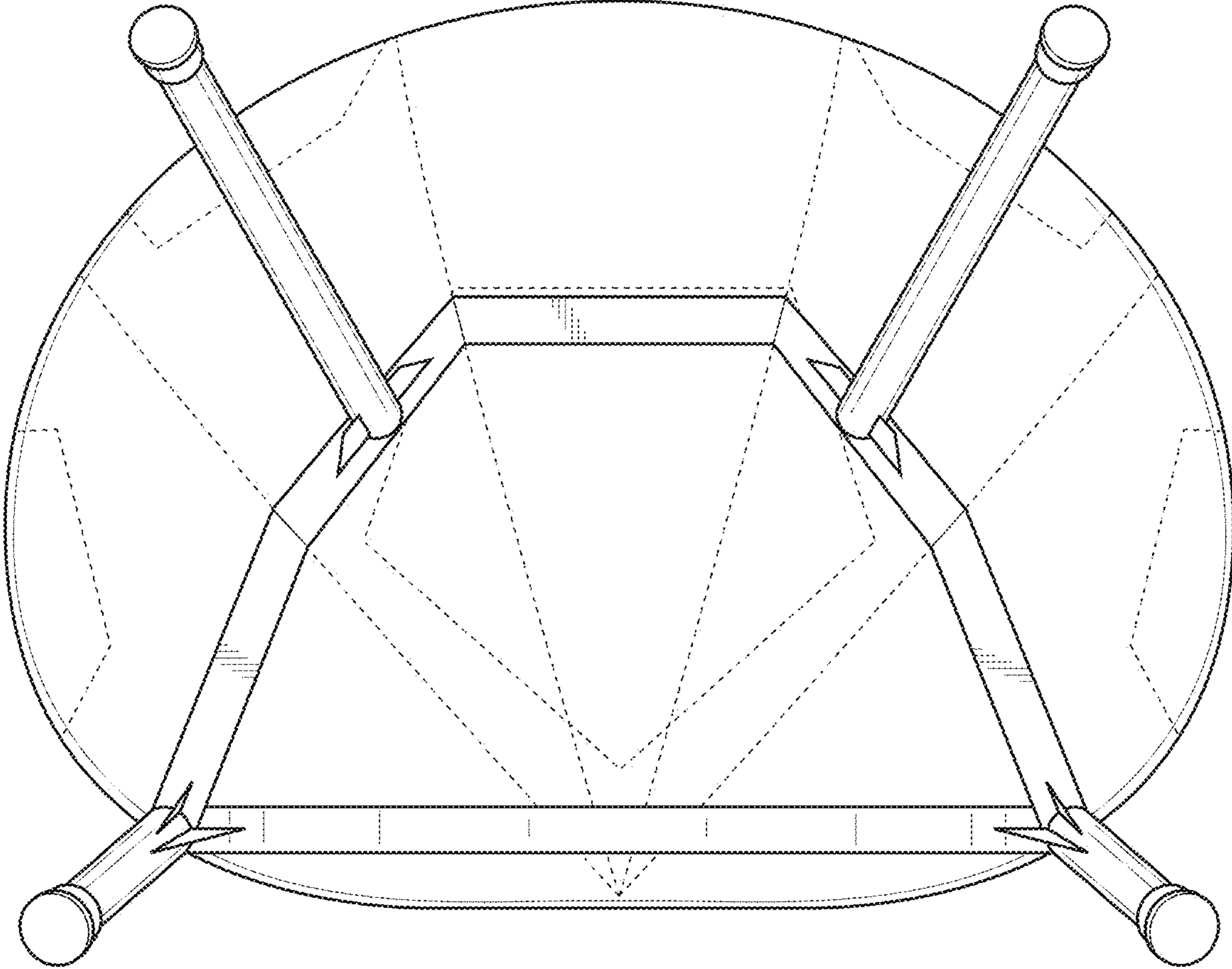


FIG. 25

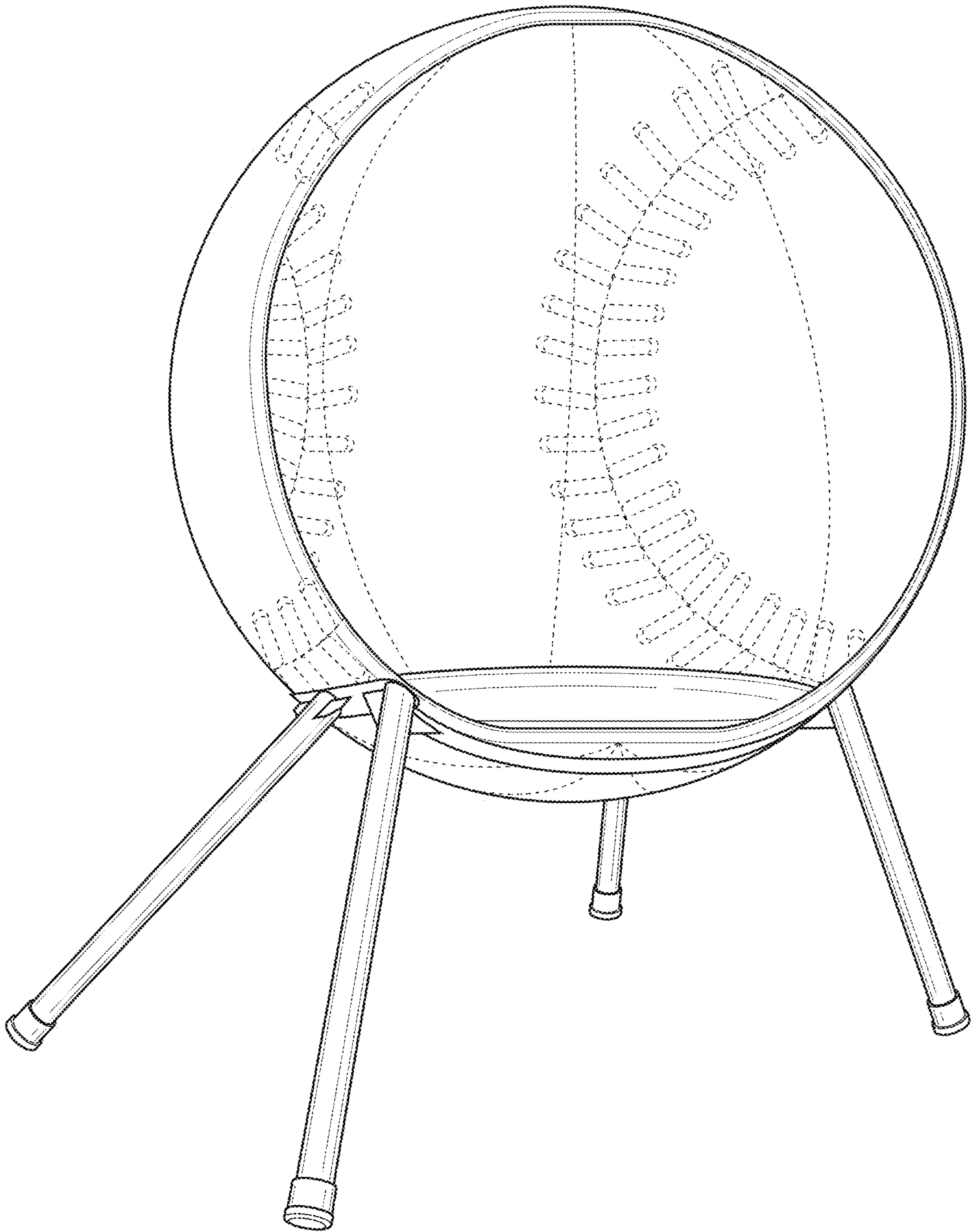


FIG. 26

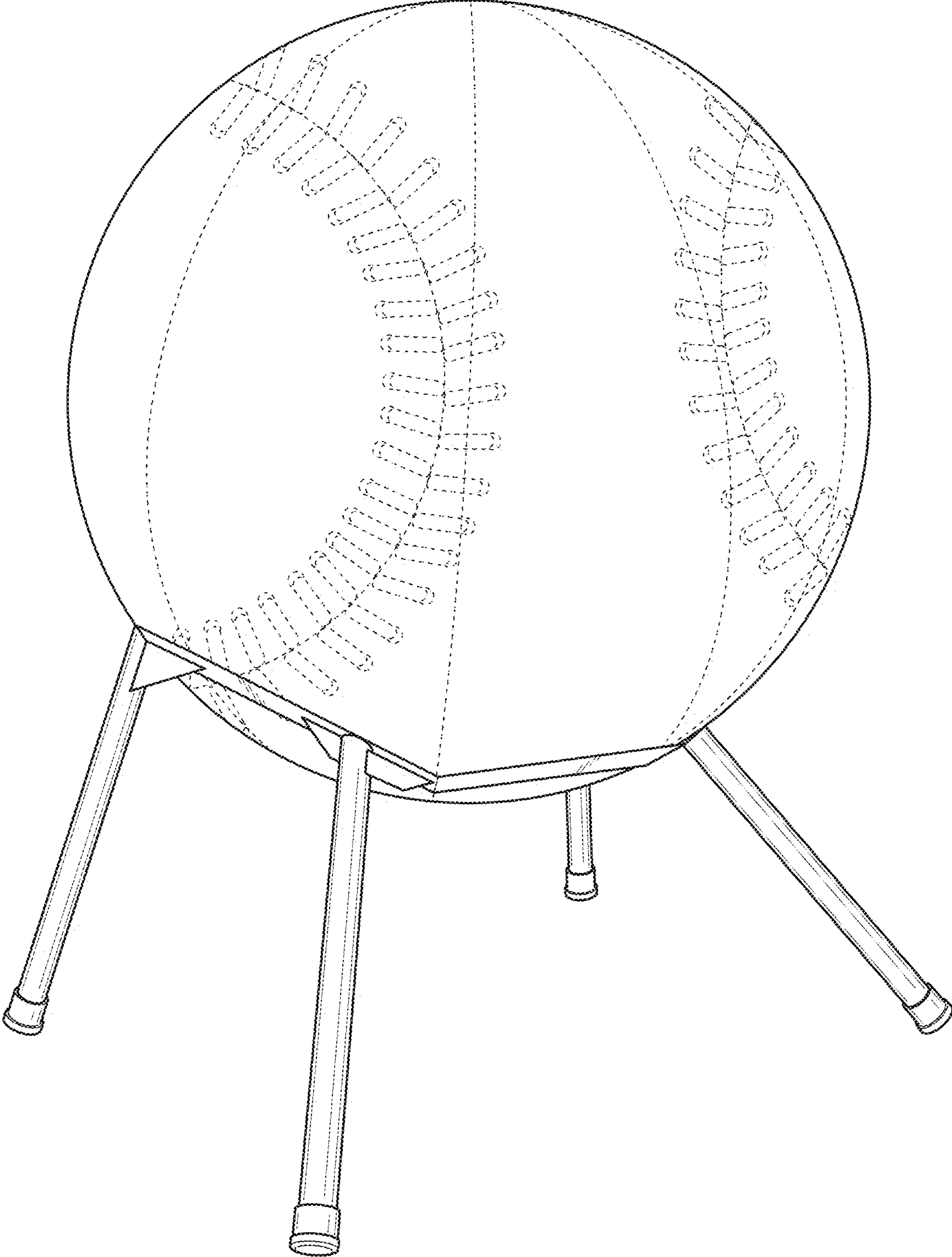


FIG. 27

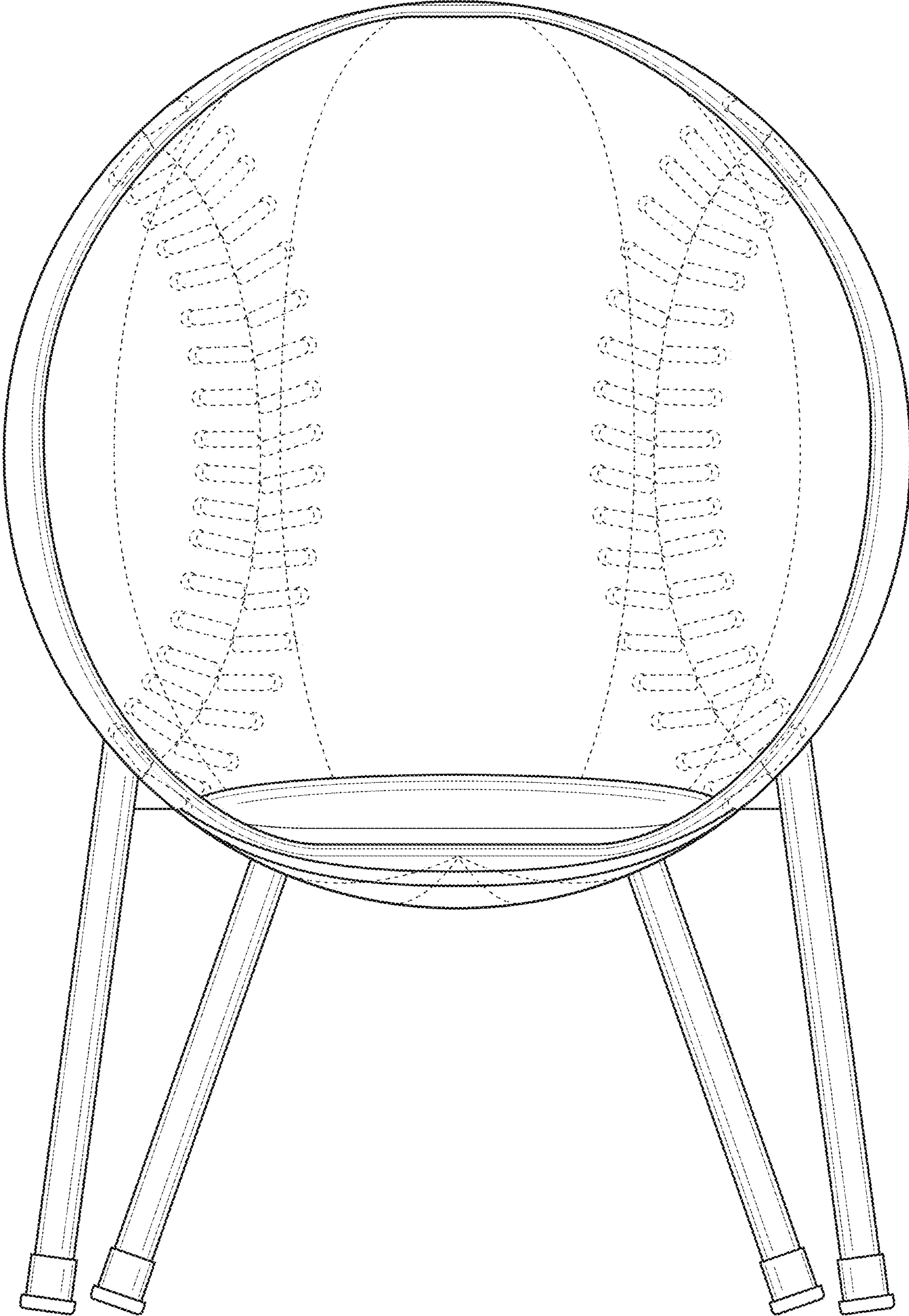


FIG. 28

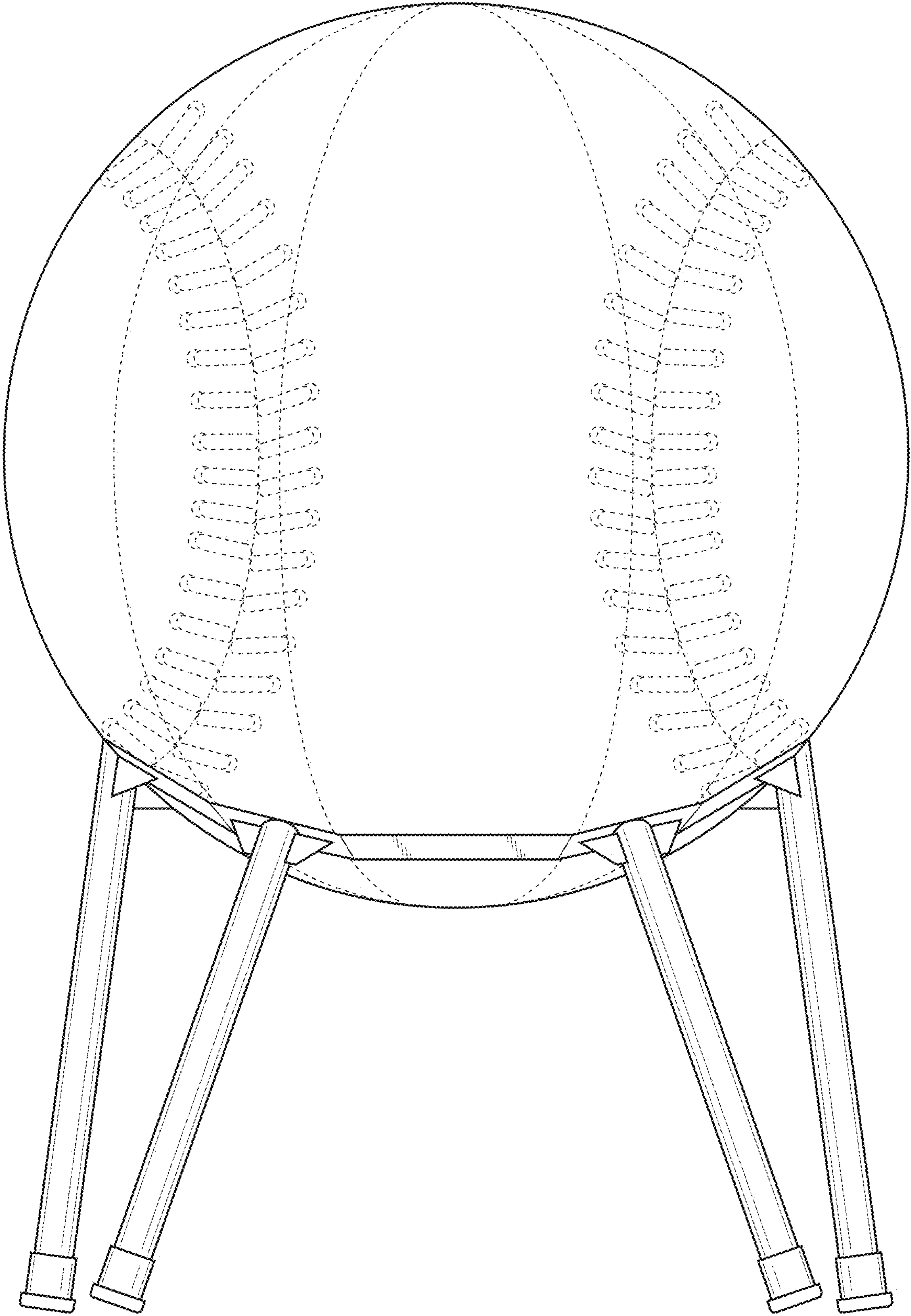


FIG. 29

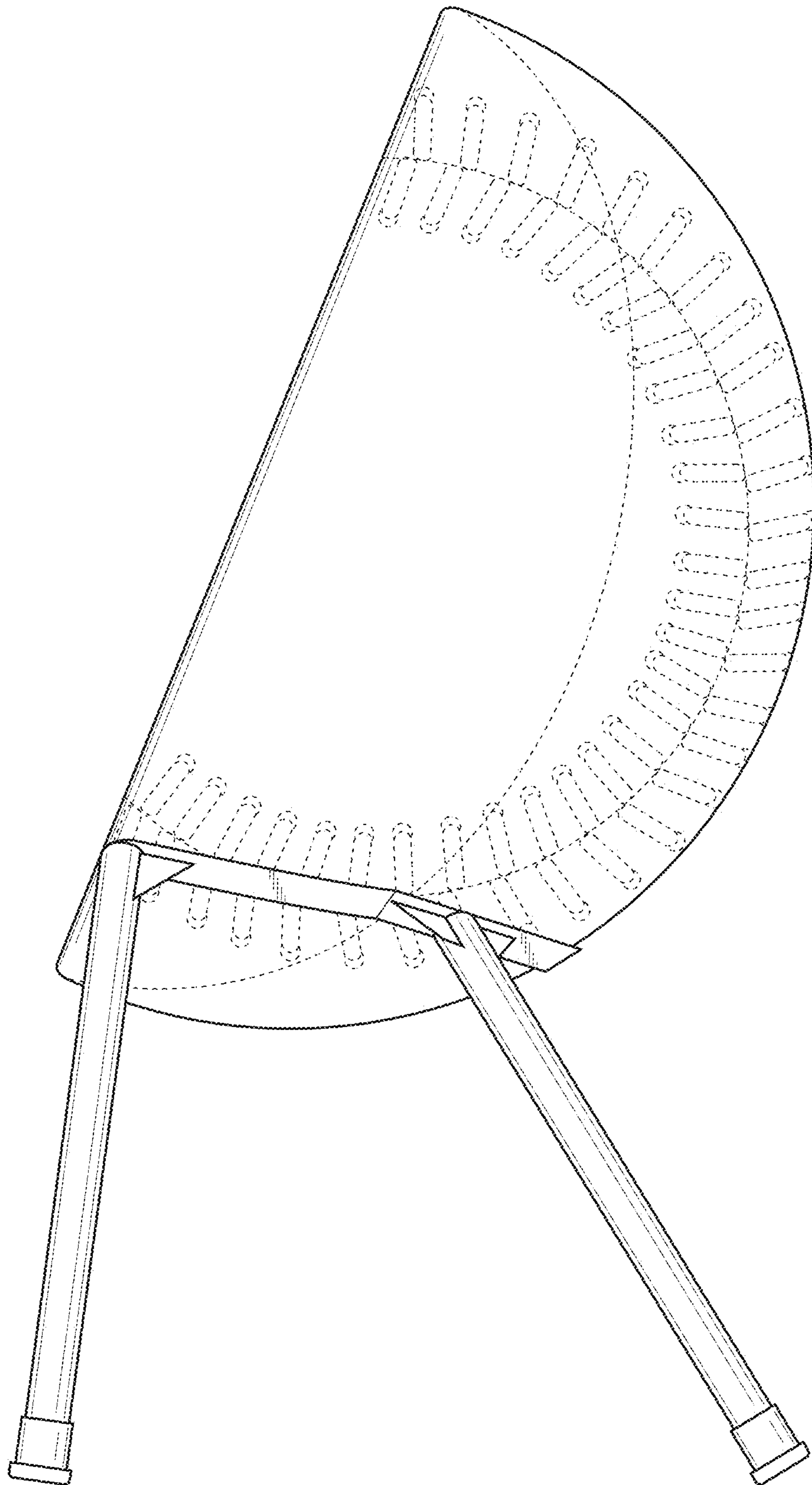


FIG. 30

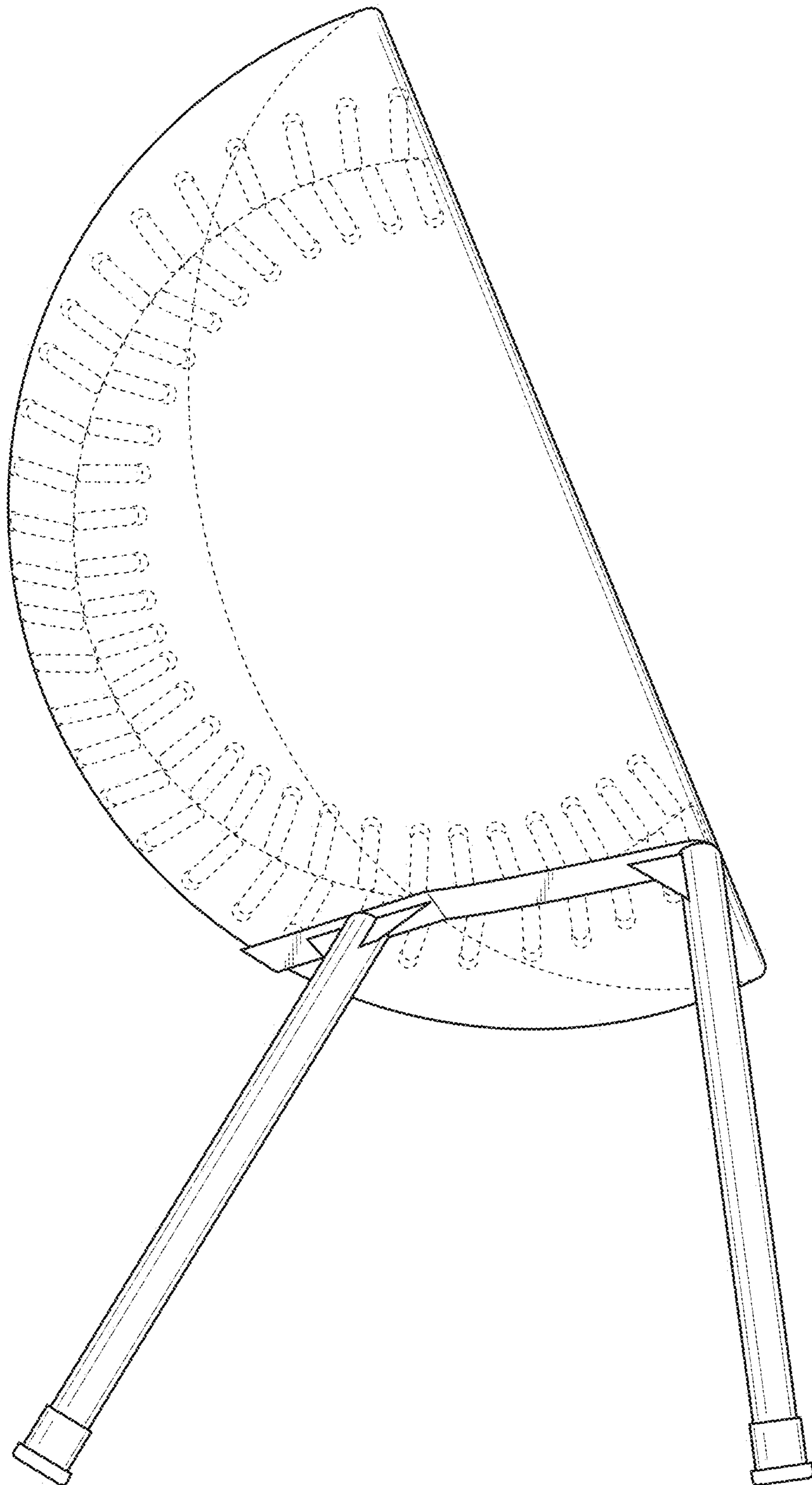


FIG. 31

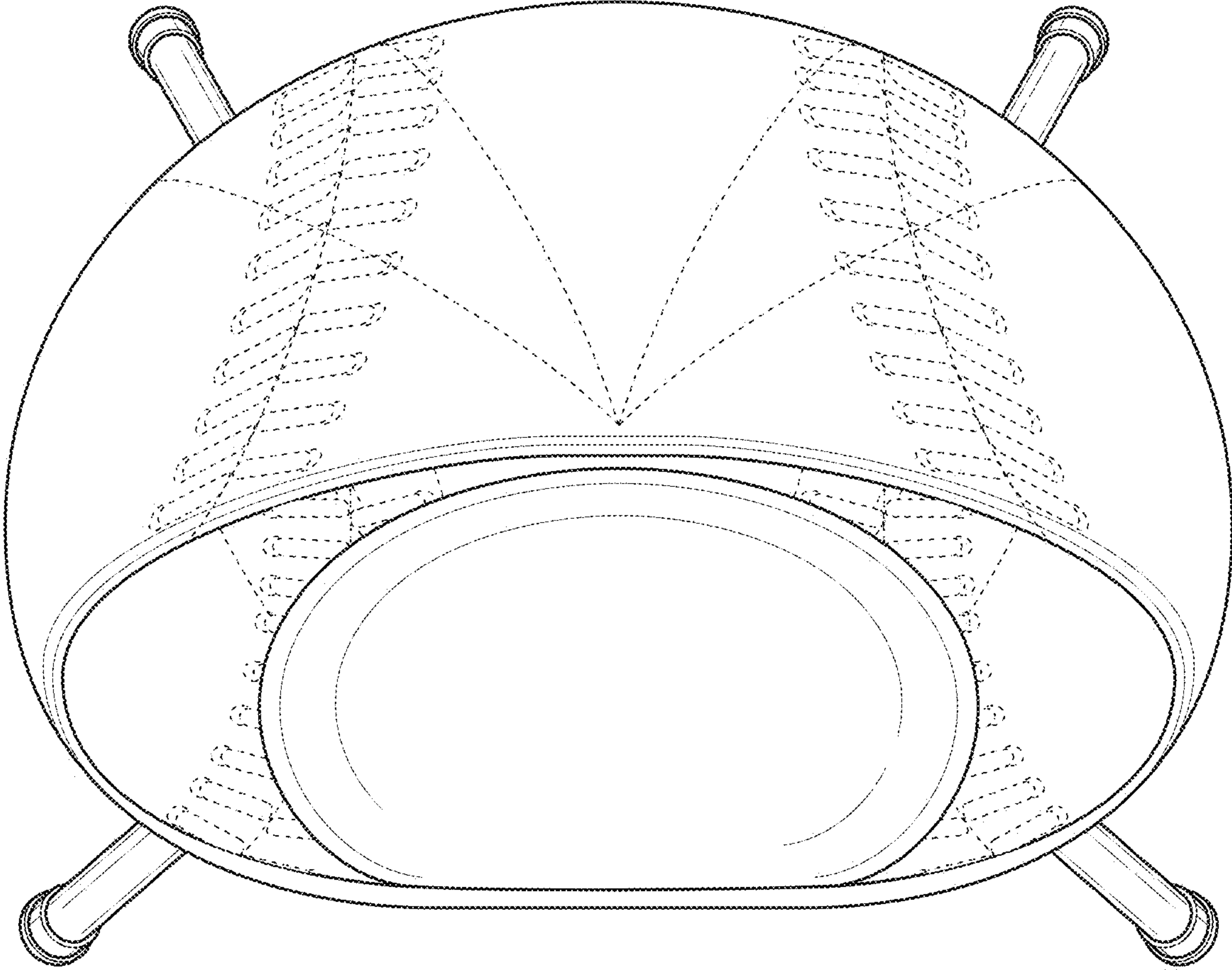


FIG. 32

