



US00D917903S

(12) **United States Design Patent** (10) **Patent No.:** **US D917,903 S**  
**Lin** (45) **Date of Patent:** **\*\* May 4, 2021**

(54) **STOOL** 2,415,663 A 2/1947 Charles  
D156,463 S \* 12/1949 Rita ..... D6/352  
2,528,950 A \* 11/1950 Engstrom ..... A47C 7/26  
5/402  
(71) Applicant: **Dongguan Shichang Metals Factory Ltd., DongGuan (CN)** 2,590,382 A 3/1952 Danielson  
3,059,888 A 10/1962 Finn  
(72) Inventor: **Chenkang Lin, Dongguan (CN)** D232,880 S \* 9/1974 Samhammer ..... D6/352  
D244,107 S \* 4/1977 Zola ..... D6/352  
(73) Assignee: **Dongguan Shichang Metals Factory Ltd., Dongguan (CN)** 4,998,774 A \* 3/1991 Huff ..... A47C 9/007  
297/452.41  
D575,540 S \* 8/2008 Goldberg ..... D6/349  
(\*\*) Term: **15 Years** (Continued)

(21) Appl. No.: **29/710,578**  
(22) Filed: **Oct. 24, 2019**

FOREIGN PATENT DOCUMENTS

TW D153976 S1 6/2013

(30) **Foreign Application Priority Data**  
Jul. 29, 2019 (CN) ..... 201910690115.0  
(51) **LOC (13) Cl.** ..... **06-01**  
(52) **U.S. Cl.**  
USPC ..... **D6/352; D6/360**  
(58) **Field of Classification Search**  
USPC ..... D6/334-338, 340-343, 349-353, 355,  
D6/360, 364-365, 691-691.9, 692-692.6,  
D6/716-716.1; D25/65  
CPC .. A47B 7/00-7/02; A47C 11/00; A47C 12/00;  
A47C 13/00; A47C 16/00; A47C  
16/02-04; A47C 9/00-105; A47K 17/02;  
A47K 17/028  
See application file for complete search history.

OTHER PUBLICATIONS

Swivel Shop Stool, [online] Retrieved Dec. 21, 20 from URL:  
[https://www.uline.com/Product/Detail/H-7660/Stools/Swivel-Shop-Stool?\\*](https://www.uline.com/Product/Detail/H-7660/Stools/Swivel-Shop-Stool?)

(Continued)

*Primary Examiner* — Vy N Koenig  
(74) *Attorney, Agent, or Firm* — Luedeka Neely Group, P.C.

(57) **CLAIM**

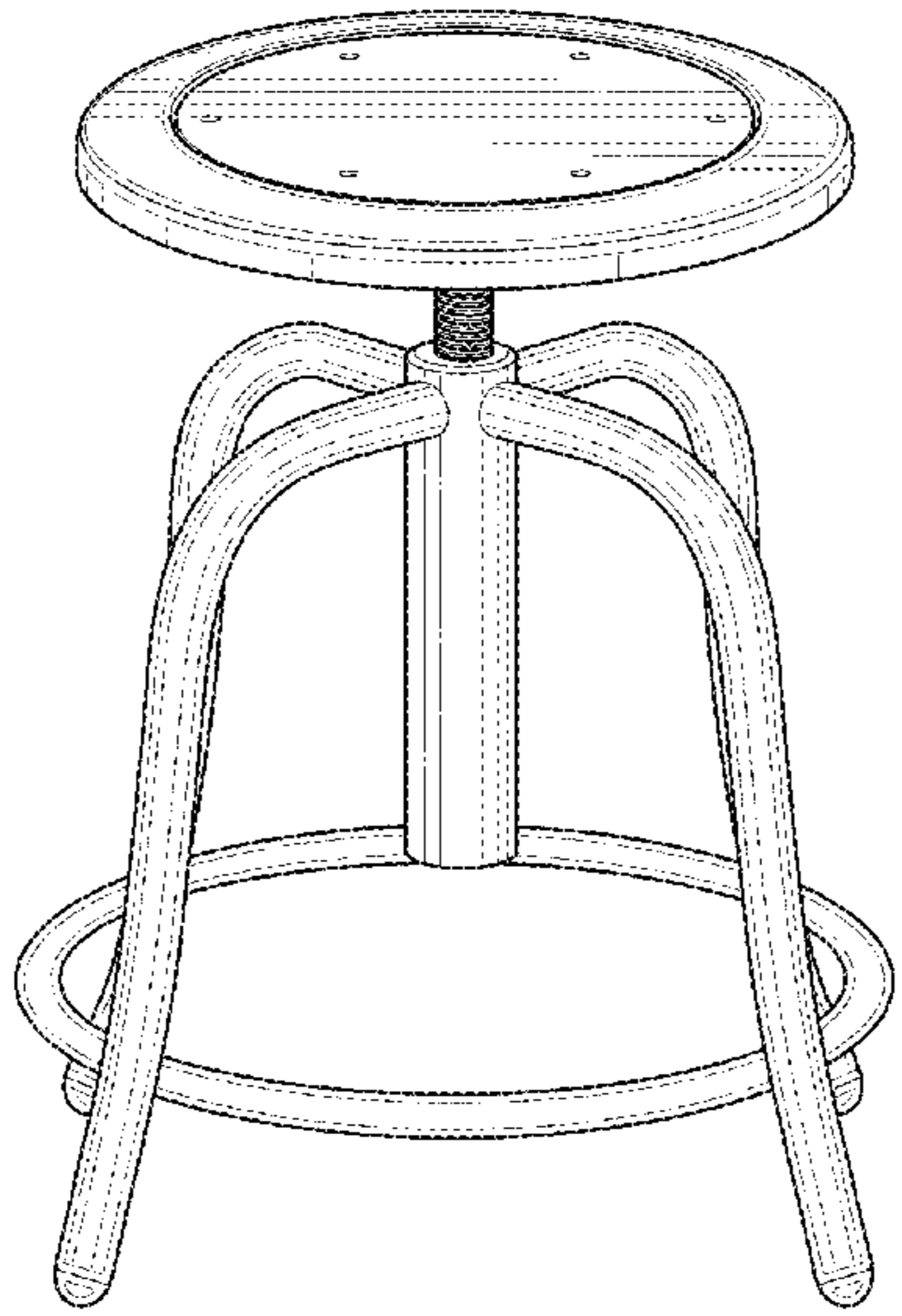
The ornamental design for a stool, as shown and described.

**DESCRIPTION**

FIG. 1 is a perspective view of a stool of my new design.  
FIG. 2 is a left side view of the stool of FIG. 1.  
FIG. 3 is a right side view of the stool of FIG. 1.  
FIG. 4 is a front view of the stool of FIG. 1.  
FIG. 5 is a rear view of the stool of FIG. 1.  
FIG. 6 is a top view of the stool of FIG. 1; and,  
FIG. 7 is a bottom view of the stool of FIG. 1.  
The broken lines in FIG. 7 depict environmental subject matter and form no part of the claimed design.

(56) **References Cited**  
U.S. PATENT DOCUMENTS  
325,443 A 9/1885 Ramseyer  
329,654 A 11/1885 Kraemer  
468,916 A 2/1892 Lindberg  
482,553 A 9/1892 Fuhrmann  
550,685 A 12/1895 Munz  
1,332,200 A 3/1920 Eugenio  
1,435,627 A 11/1922 Uhl  
1,783,661 A 12/1930 Alexander et al.

**1 Claim, 4 Drawing Sheets**



(56)

**References Cited**

U.S. PATENT DOCUMENTS

D579,676 S \* 11/2008 Rheault ..... D6/349  
D579,677 S \* 11/2008 Zhou ..... D6/349  
D708,448 S \* 7/2014 Hernandez ..... D6/360  
D713,157 S \* 9/2014 Carrier ..... D6/351  
D717,053 S 11/2014 Gelman  
D719,749 S \* 12/2014 Hernandez ..... D6/352  
D824,682 S \* 8/2018 Zanayed ..... D6/352  
D832,603 S 11/2018 Higgs  
D891,797 S \* 8/2020 Li ..... D6/352  
2006/0238008 A1 10/2006 Baranov et al.

OTHER PUBLICATIONS

Two Matching C. 1960'S Vintage American Industrial Adjustable Height Factory Shop Stools With Leg Extensions And Intact“Gun-ship” Gray Enameled Finish, [online] Retrieved Dec. 21, 20 from URL: [https://www.urbanremainschicago.com/two-matching-c-1960-s-vintage-american-industrial-adjustable-height-factory-shop-stools-w-\\*](https://www.urbanremainschicago.com/two-matching-c-1960-s-vintage-american-industrial-adjustable-height-factory-shop-stools-w-)

Photographs of three stools, including machine translations of descriptions, Accessed Aug. 6, 2019. 3 pages.

\* cited by examiner

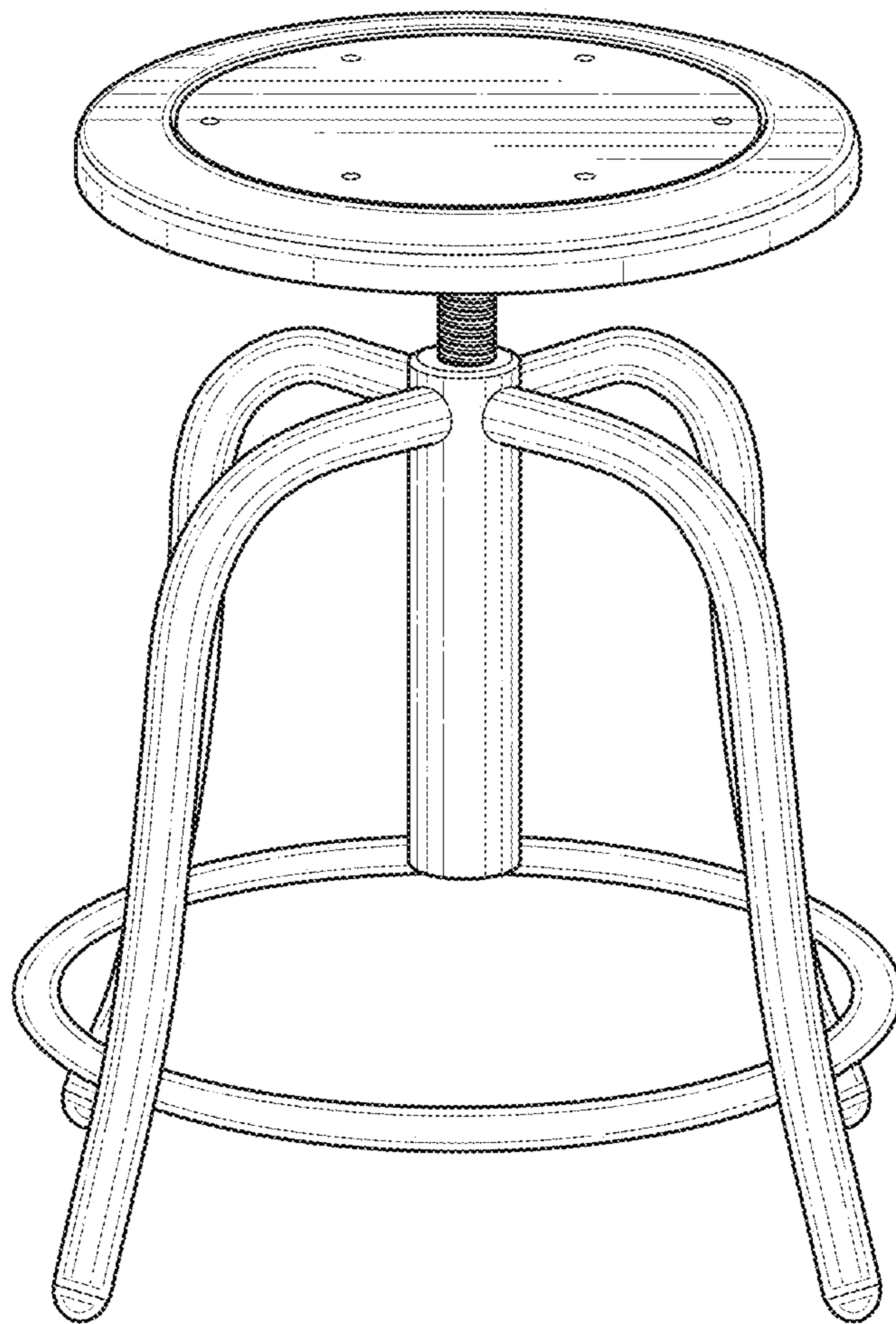
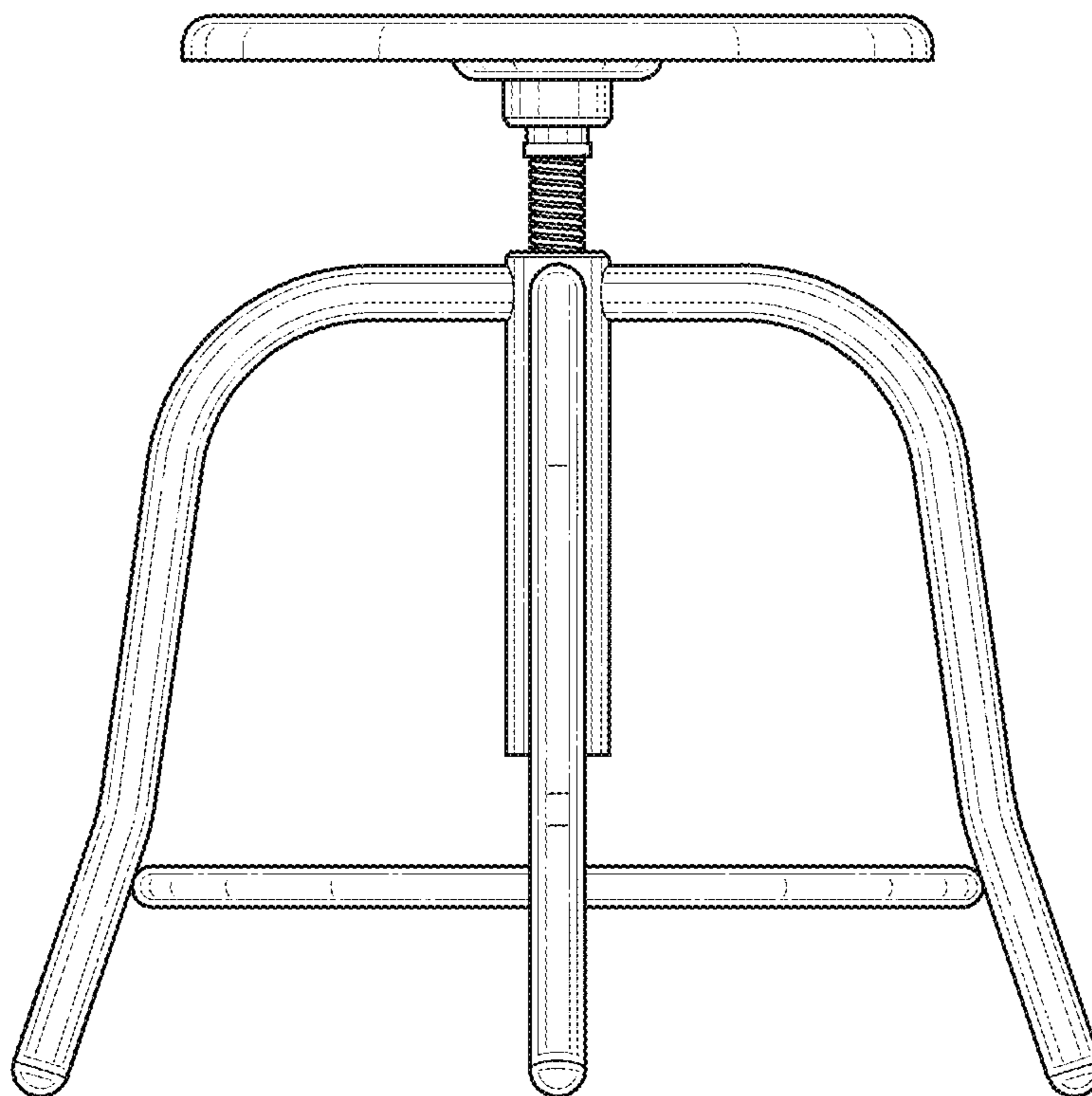
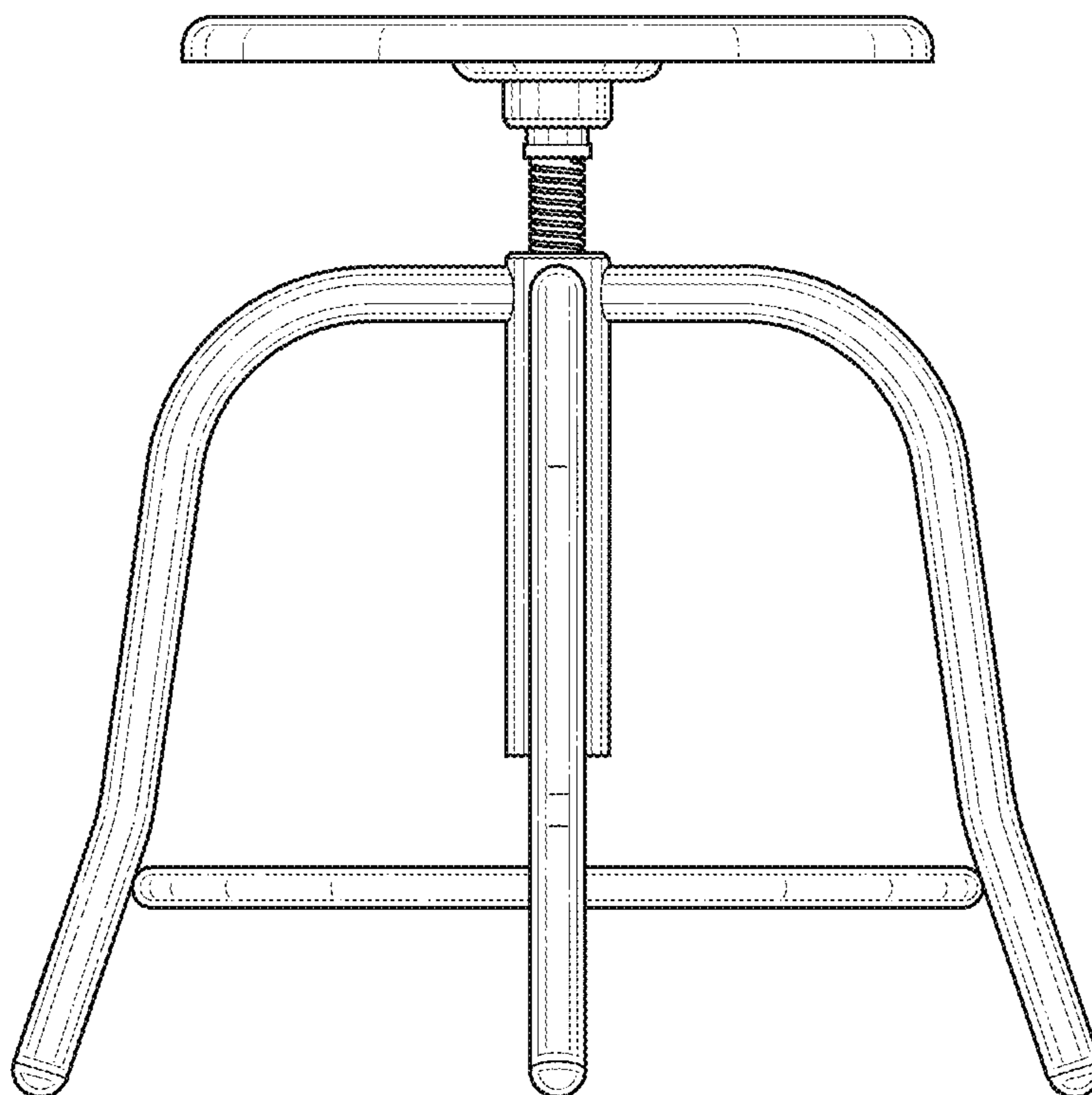


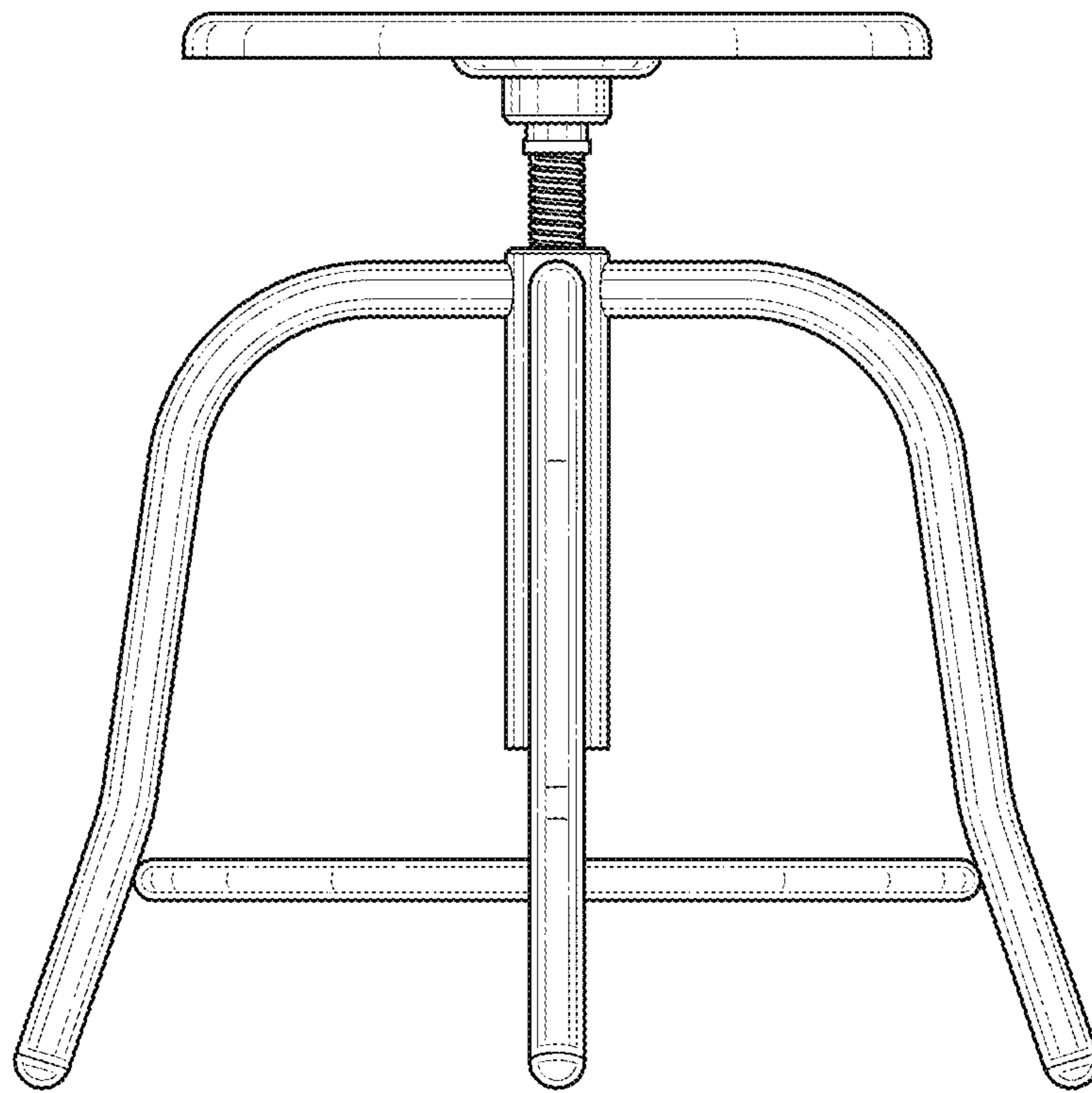
FIG. 1



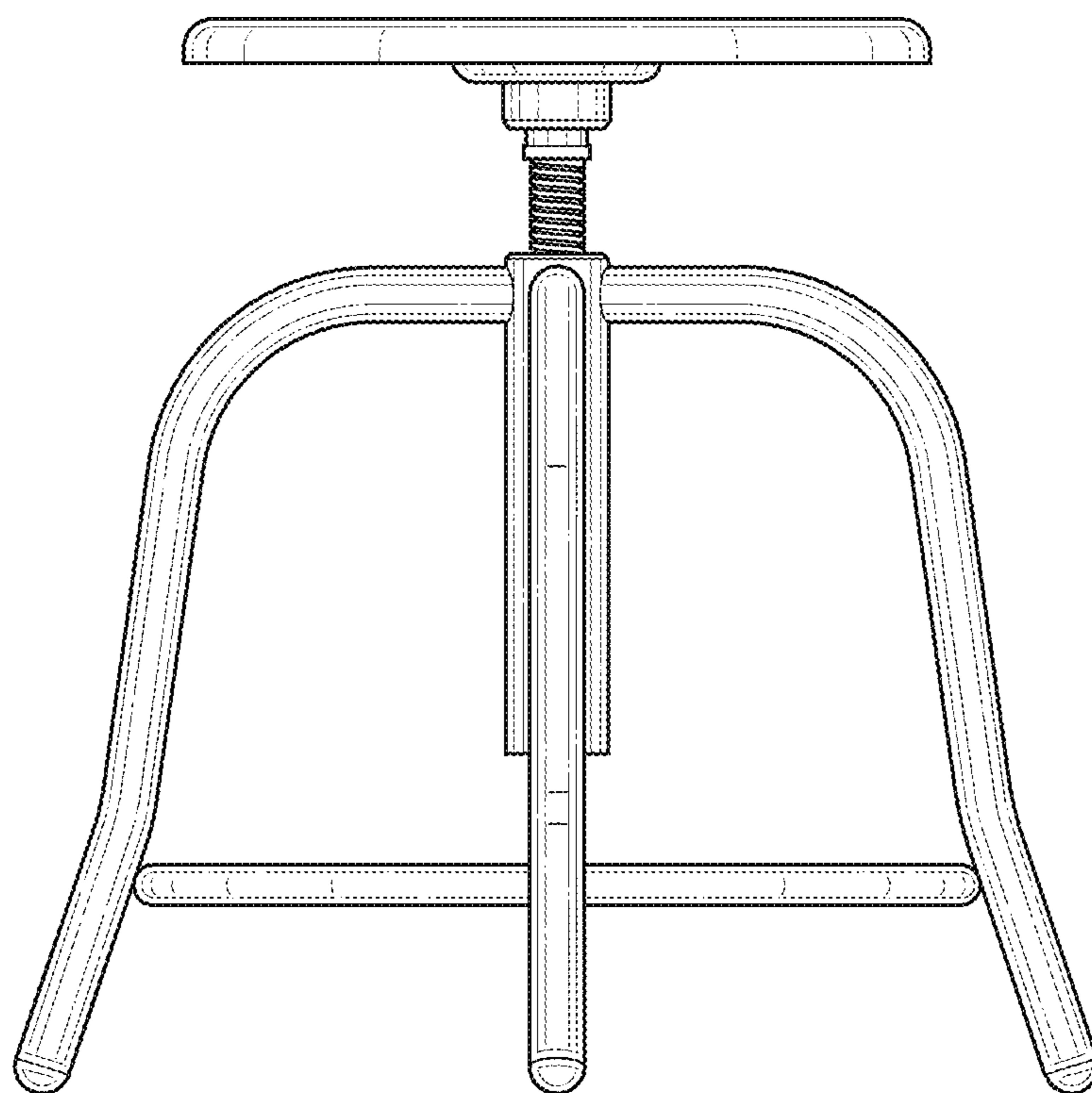
**FIG. 2**



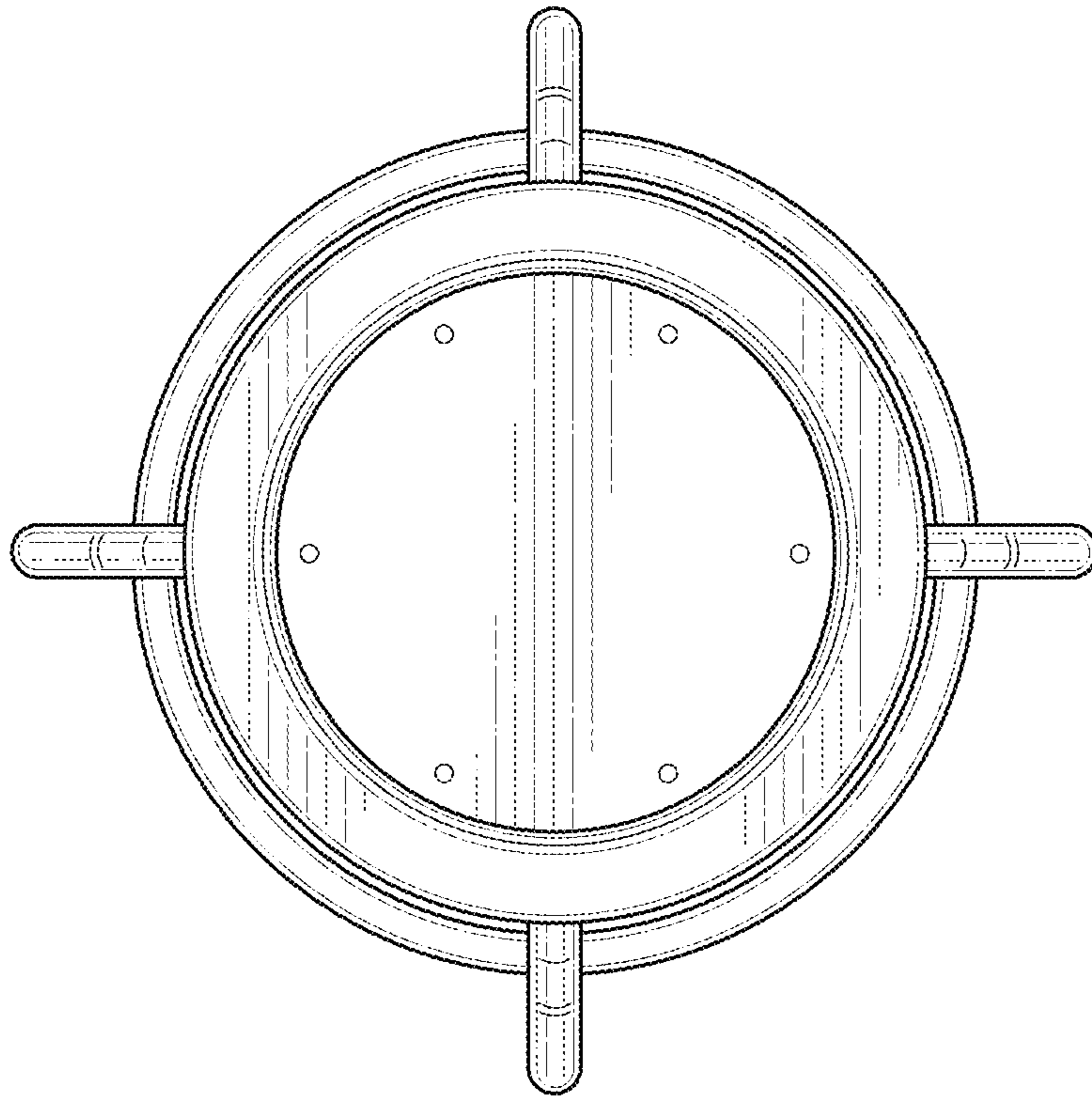
**FIG. 3**



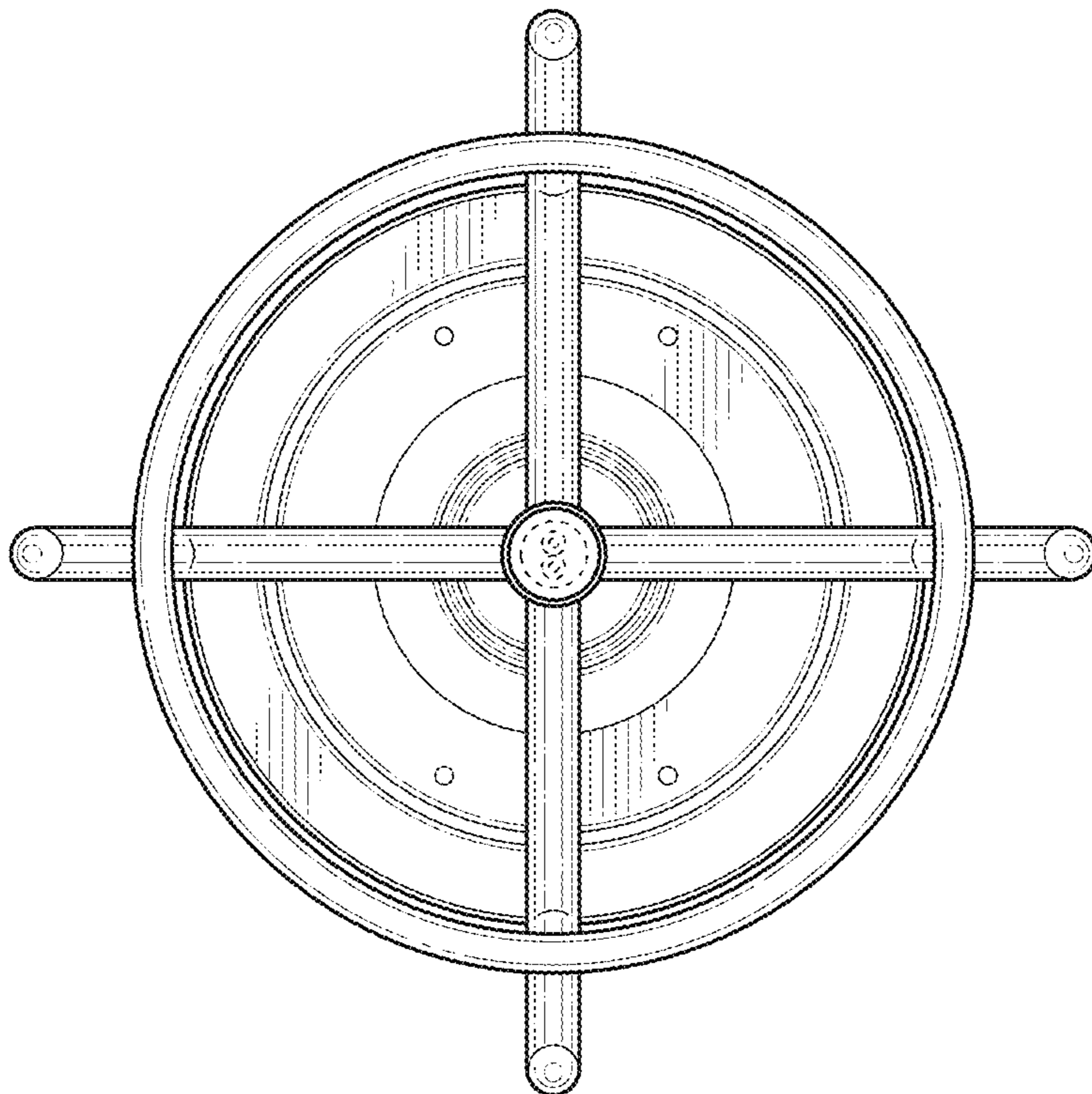
**FIG. 4**



**FIG. 5**



**FIG. 6**



**FIG. 7**