



US00D917902S

(12) **United States Design Patent**
Guthrie

(10) **Patent No.:** **US D917,902 S**

(45) **Date of Patent:** **** May 4, 2021**

- (54) **AIRCRAFT OTTOMAN**
- (71) Applicant: **Gulfstream Aerospace Corporation,**
Savannah, GA (US)
- (72) Inventor: **Joe Guthrie,** Savannah, GA (US)
- (73) Assignee: **Gulfstream Aerospace Corporation,**
Savannah, GA (US)
- (**) Term: **15 Years**
- (21) Appl. No.: **29/709,951**
- (22) Filed: **Oct. 18, 2019**
- (51) **LOC (13) Cl.** **06-01**
- (52) **U.S. Cl.**
USPC **D6/349**
- (58) **Field of Classification Search**
USPC D6/334-338, 340-343, 349-353, 355,
D6/364-365, 691-691.9, 692-692.6,
D6/716-716.1; D25/65
CPC A47B 7/00-02; A47C 11/00; A47C 12/00;
A47C 13/00; A47C 16/00; A47C
16/02-04; A47C 9/00-105; A47K 17/02;
A47K 17/028
See application file for complete search history.

- D596,416 S * 7/2009 Wold D6/349
- 8,136,876 B2 * 3/2012 Bellvis Castillo A47C 9/025
297/195.11
- D682,566 S * 5/2013 Parker D6/349
- D736,005 S * 8/2015 Pinkstone D6/338
- D846,930 S * 4/2019 Patton D6/716
- D848,162 S * 5/2019 Yin D6/335
- 10,376,071 B2 * 8/2019 Patton F16C 11/04
- 10,617,217 B1 * 4/2020 Razon A47C 3/40
- D893,932 S * 8/2020 Rajkiewicz D6/716.1

* cited by examiner

Primary Examiner — Vy N Koenig

(74) *Attorney, Agent, or Firm* — LKGlobal | Lorenz & Kopf, LLP

(57) **CLAIM**

The ornamental design for an aircraft ottoman, as shown and described.

DESCRIPTION

FIG. 1 is an upper front perspective view of an aircraft ottoman showing the claimed design; FIG. 2 is a right-end view of the ottoman shown in FIG. 1; FIG. 3 is a left-end view of the ottoman shown in FIG. 1; FIG. 4 is a rear view of the ottoman shown in FIG. 1; FIG. 5 is a front view of the ottoman shown in FIG. 1; FIG. 6 is a top view of the ottoman shown in FIG. 1; and, FIG. 7 is a lower rear perspective view of the ottoman in FIG. 1.

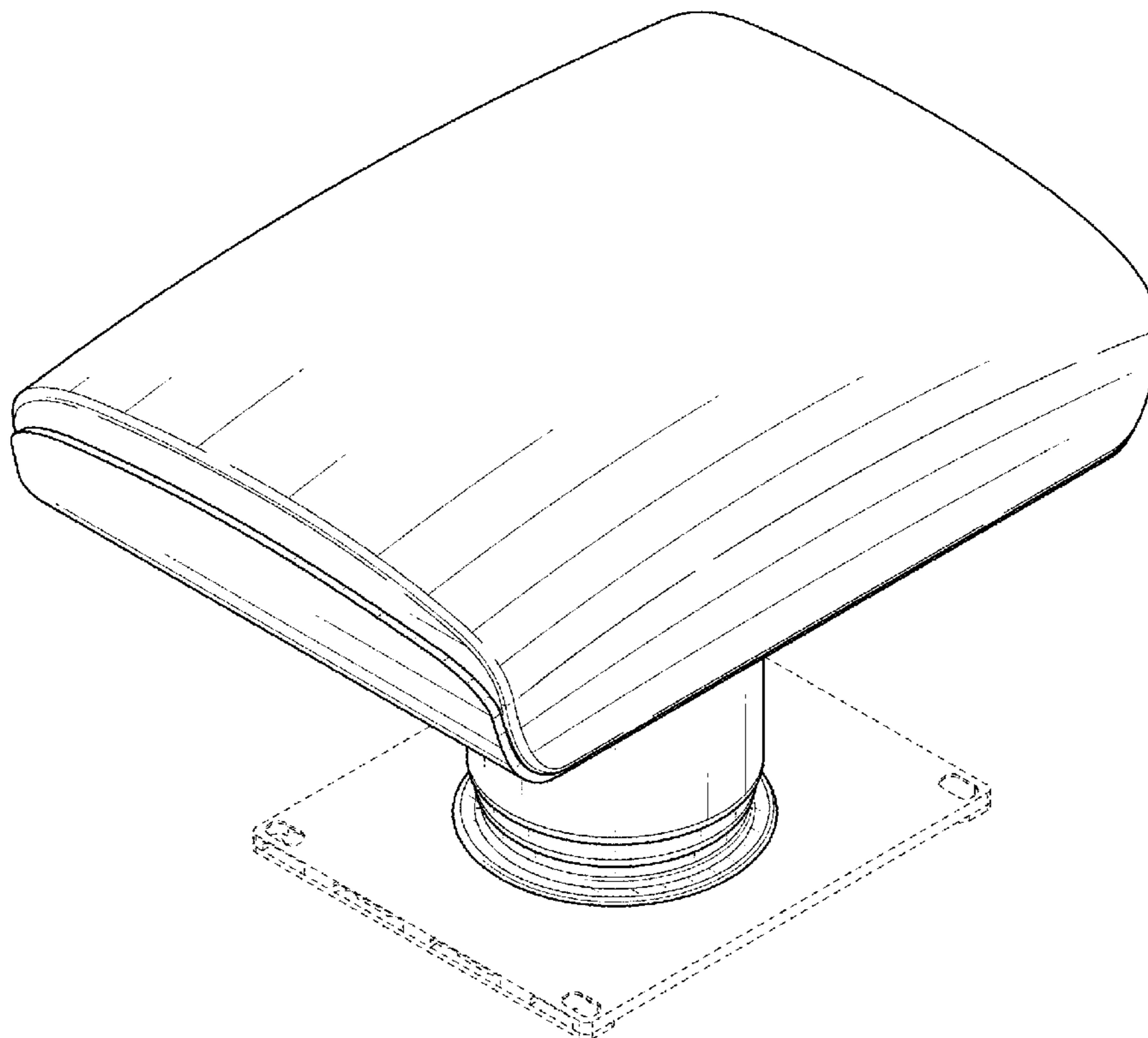
The broken lines shown in the figures represent portions of the ottoman that form no part of the claimed design.

(56) **References Cited**

U.S. PATENT DOCUMENTS

- D390,020 S * 2/1998 Huang D24/212
- D505,985 S * 6/2005 Carbonero D21/671

1 Claim, 7 Drawing Sheets



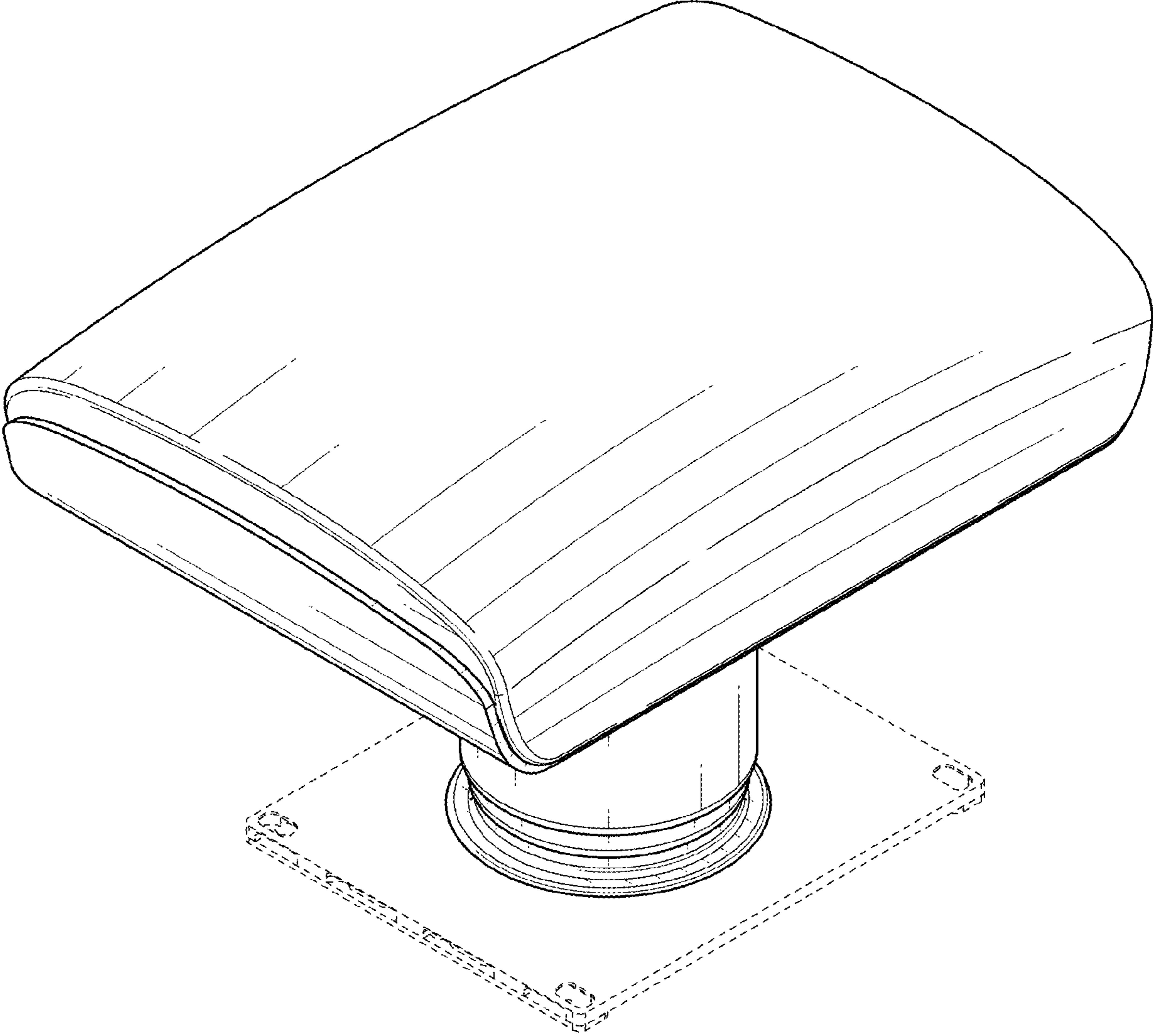


FIG. 1

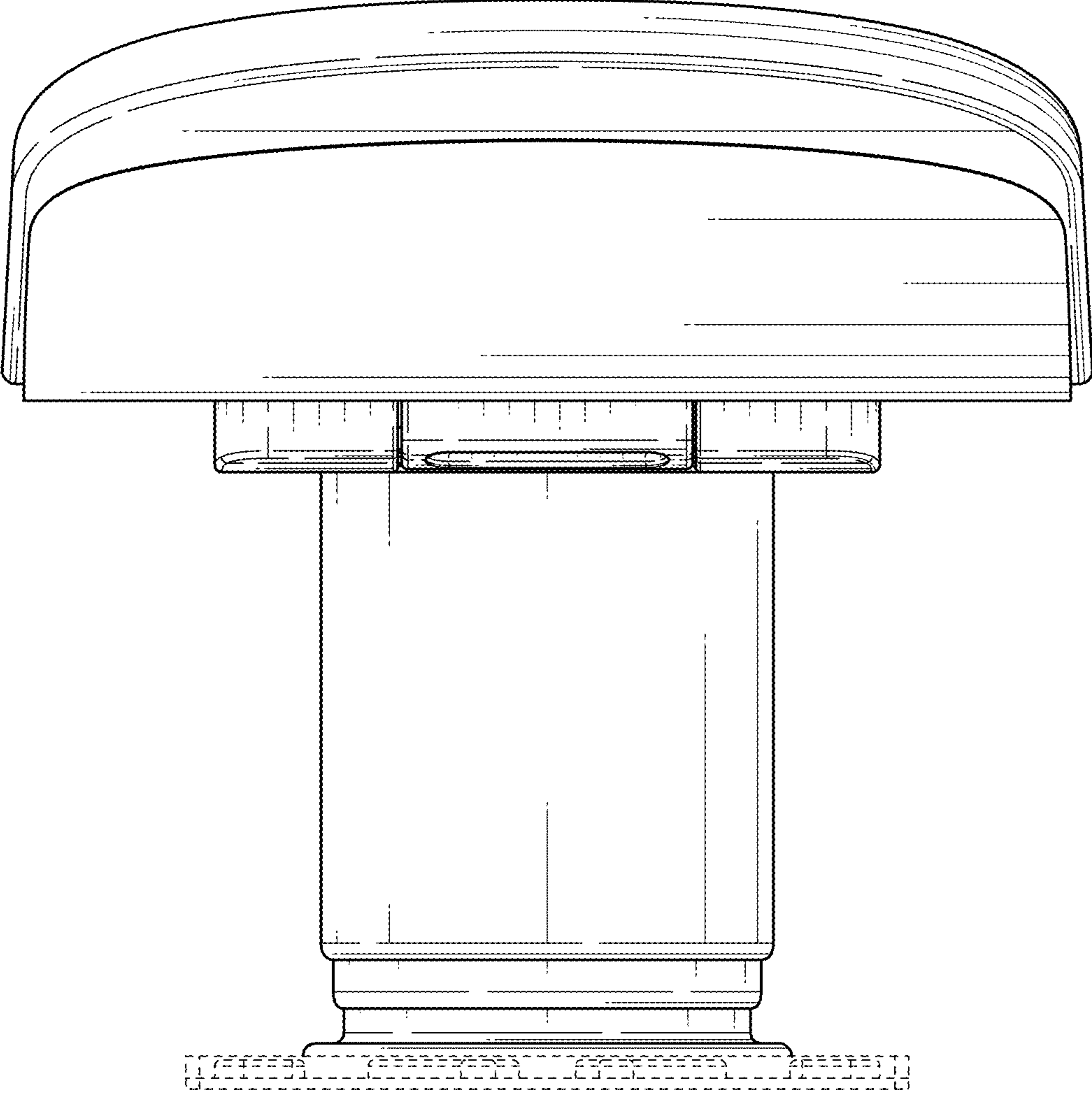


FIG. 2

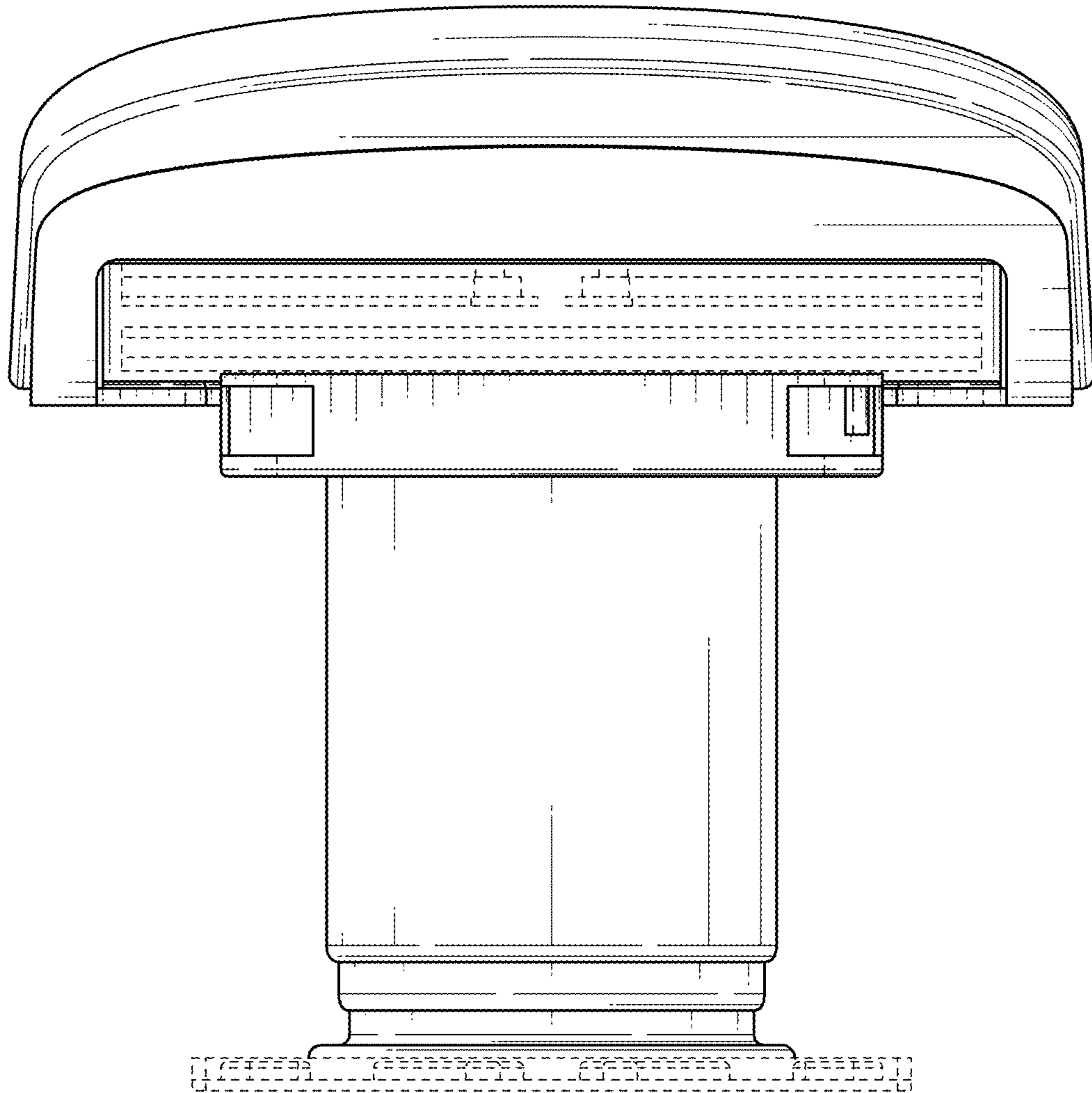


FIG. 3

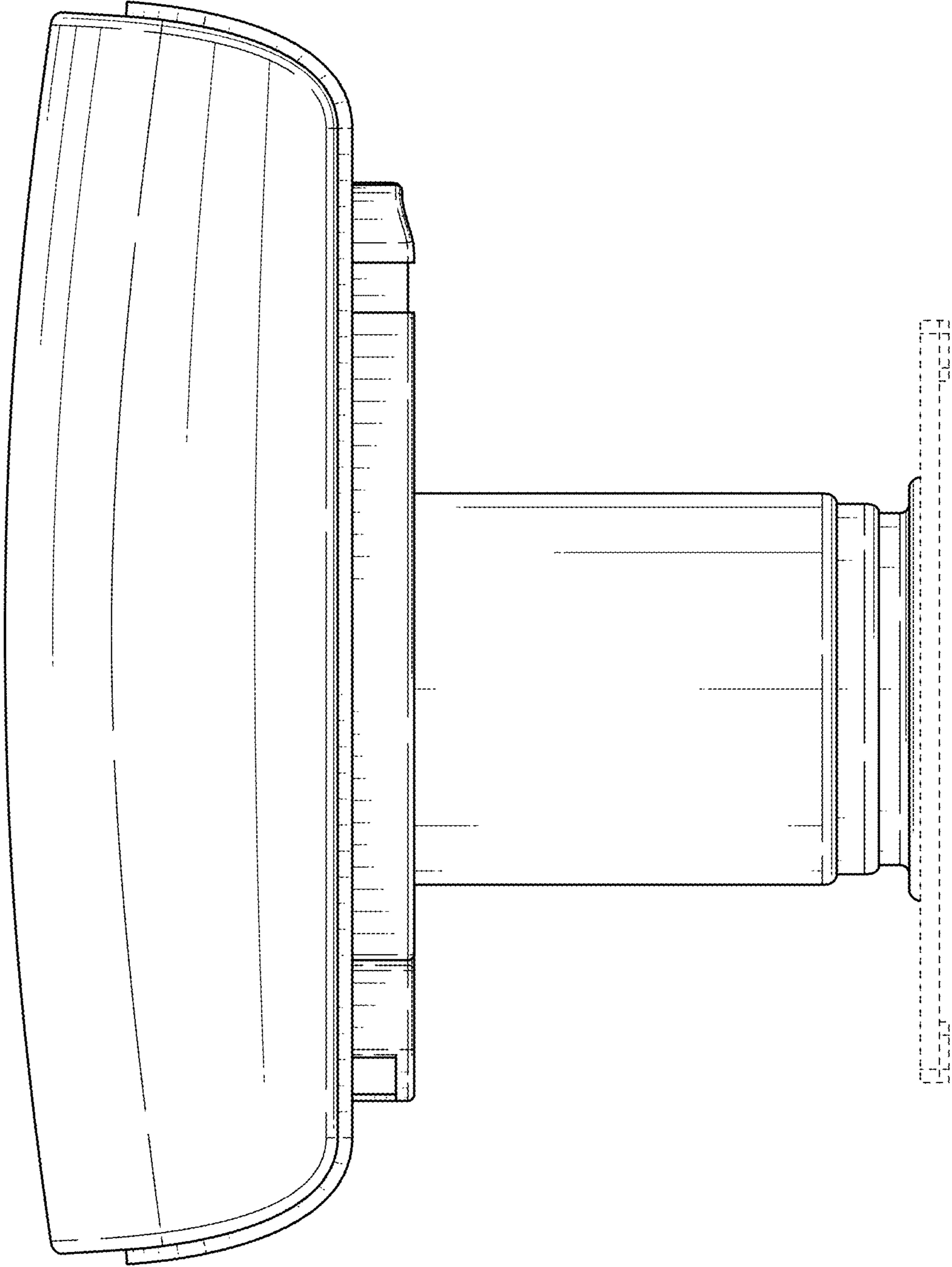


FIG. 4

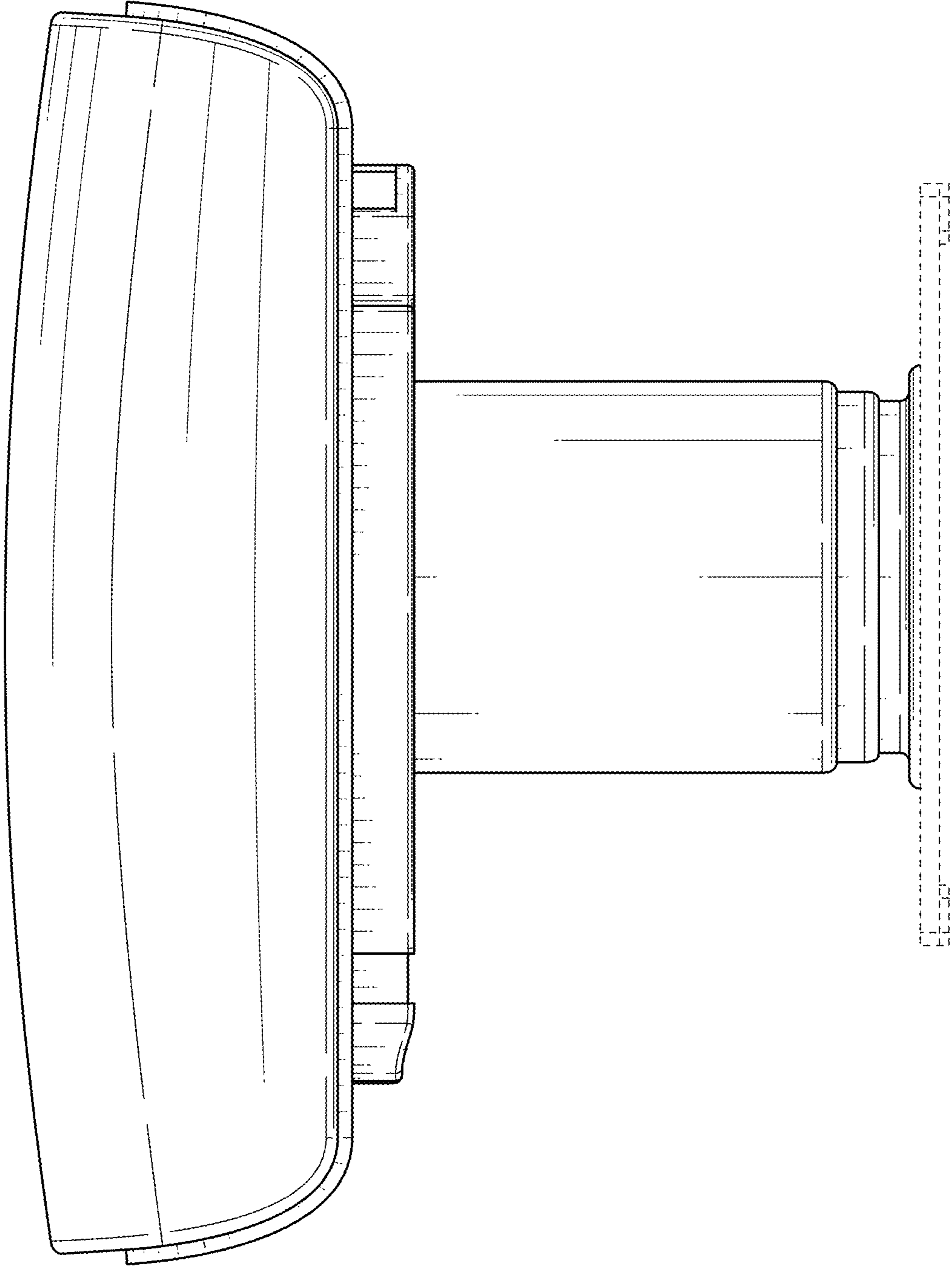


FIG. 5

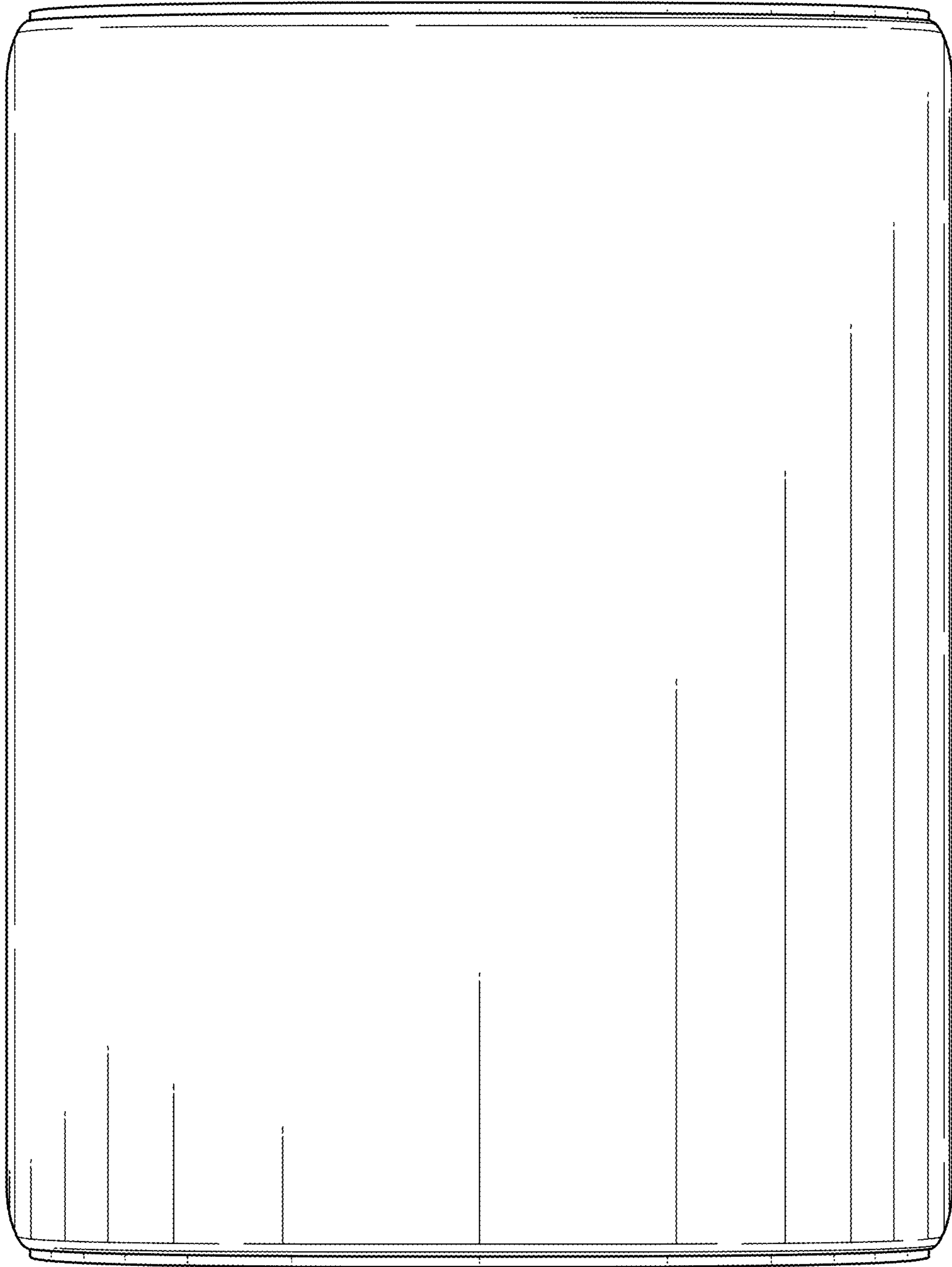


FIG. 6

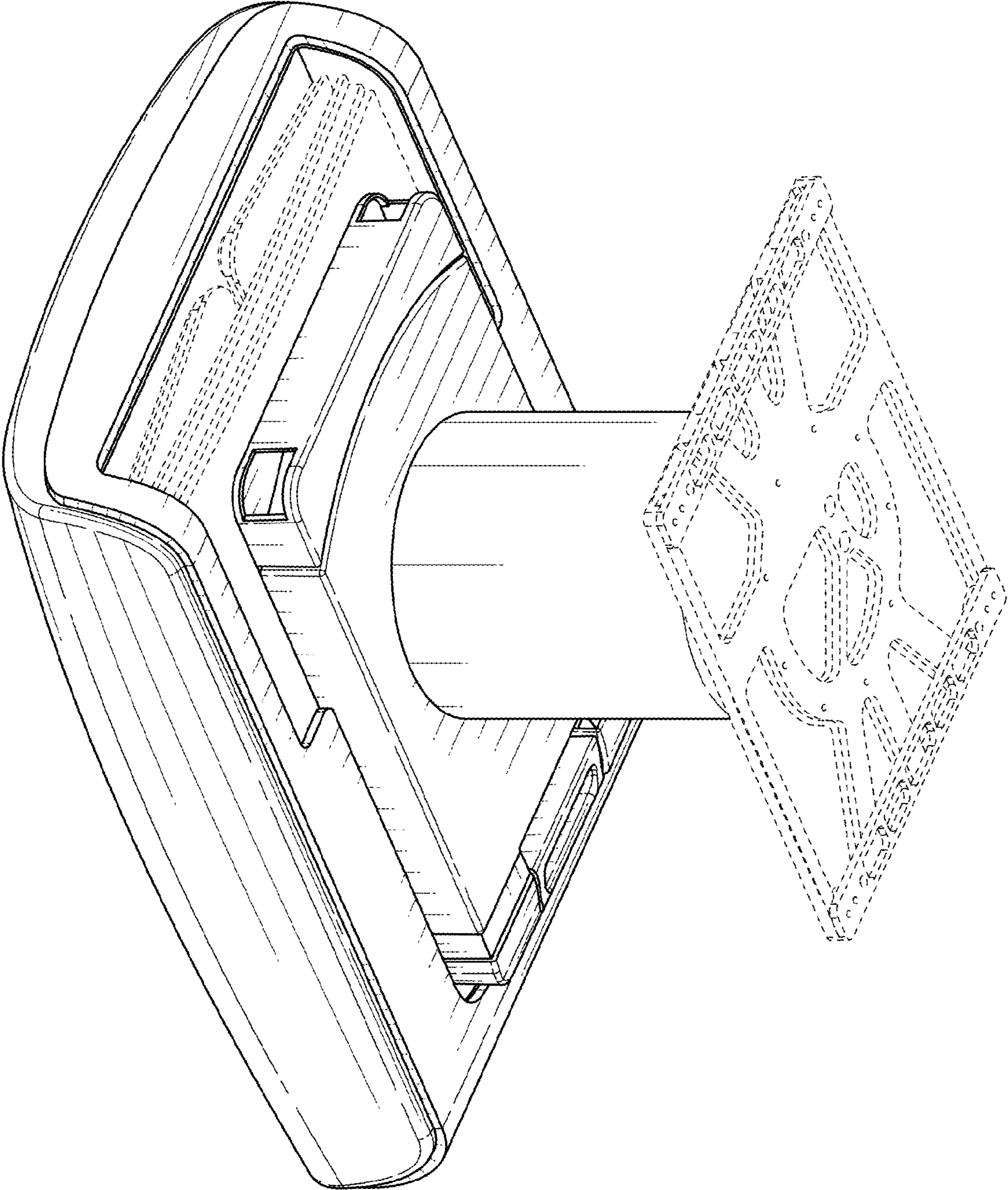


FIG. 7