



US00D917899S

(12) **United States Design Patent**
Sandgrund

(10) **Patent No.:** **US D917,899 S**

(45) **Date of Patent:** **** May 4, 2021**

(54) **SHELF**

(71) Applicant: **David Michael Sandgrund**, New York, NY (US)

(72) Inventor: **David Michael Sandgrund**, New York, NY (US)

(**) Term: **15 Years**

(21) Appl. No.: **29/672,445**

(22) Filed: **Dec. 5, 2018**

(51) **LOC (13) Cl.** **06-08**

(52) **U.S. Cl.**
USPC **D6/327; D6/705.1**

(58) **Field of Classification Search**
USPC D6/315-328, 553, 567, 569, 570, 572, D6/574, 702, 703.1, 705, 705.1, 705.2, D6/705.5, 706, 707, 707.2; D8/380, 381; D11/14, 17

CPC A47G 25/28; A47G 25/746; A47G 25/26; A47G 25/0664; A47F 7/163; A47F 5/0846; A47F 5/0892; A47F 5/0006; A47F 5/0018; A47F 7/19; A47F 7/24; A47F 5/0093; A47F 7/281; A47F 5/0043; A47F 1/04; A47F 7/0007; A47F 5/06; A47B 81/00; A47B 57/42; A47B 96/027; A47B 87/02; A47B 81/007; A47B 57/30; A47B 96/02; A47B 47/021

See application file for complete search history.

(56) **References Cited**

U.S. PATENT DOCUMENTS

5,009,366 A * 4/1991 van Druff, Jr. A47G 29/1209
232/17
D365,189 S * 12/1995 Dennis D99/29

D475,502 S * 6/2003 Catalano D99/31
D718,641 S * 12/2014 Ryan D9/711
D777,458 S * 1/2017 Sandgrund D6/327
D778,072 S * 2/2017 Sandgrund D6/327
D798,737 S * 10/2017 Miller D9/711
D884,391 S * 5/2020 Wang D6/610
2009/0194495 A1 * 8/2009 Kellogg B68C 1/002
211/85.11
2014/0284291 A1 * 9/2014 Sandgrund A47F 5/06
211/85.3

* cited by examiner

Primary Examiner — Lauren R Calve

(74) *Attorney, Agent, or Firm* — Ellenoff Grossman & Schole LLP; James M. Smedley; Alex Korona

(57) **CLAIM**

I claim the ornamental design for a shelf, as shown and described.

DESCRIPTION

FIG. 1 is a perspective view showing my new design for a shelf.

FIG. 2 is a front view thereof; the rear view being a mirror image.

FIG. 3 is a right side view thereof; the left side view being a mirror image.

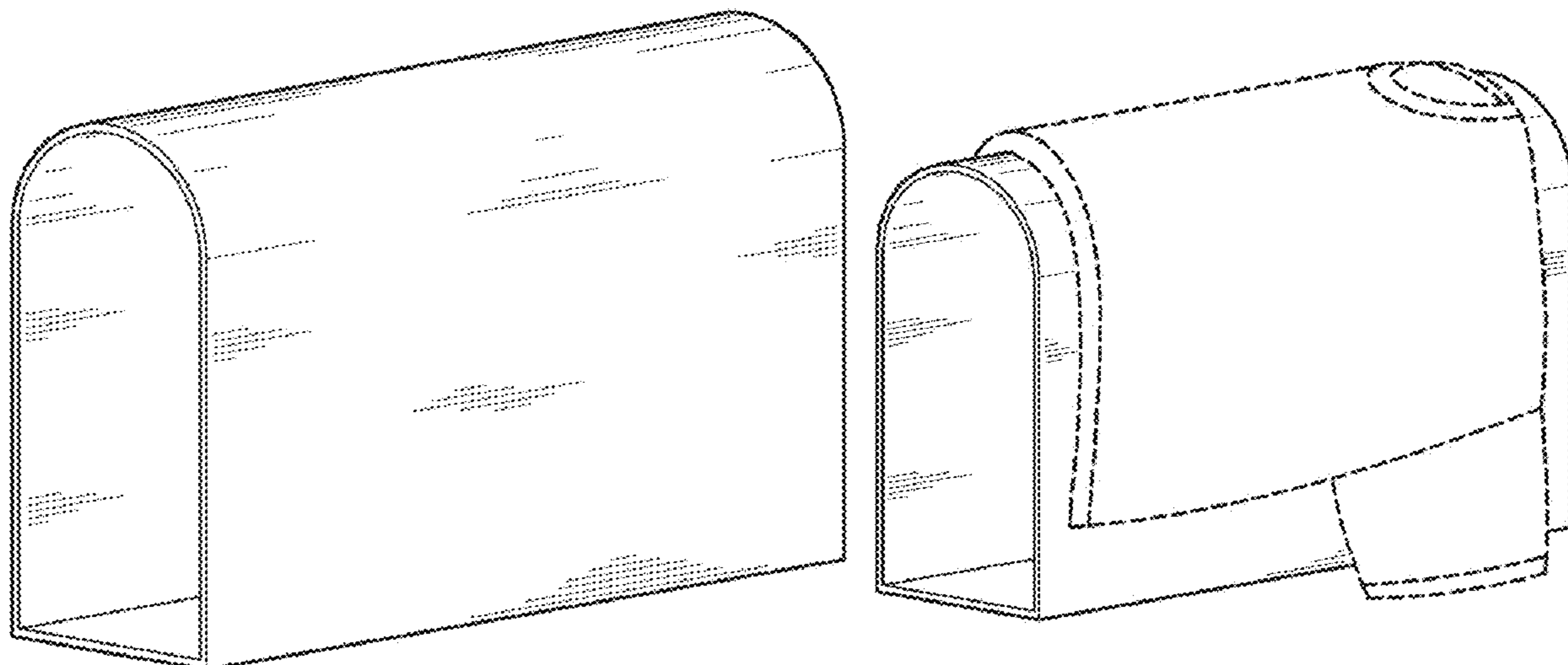
FIG. 4 is a top view thereof.

FIG. 5 is a bottom view thereof; and,

FIG. 6 is a second perspective view thereof, shown in environmental use.

The broken lines represent unclaimed subject matter and form no part of the claimed design.

1 Claim, 2 Drawing Sheets



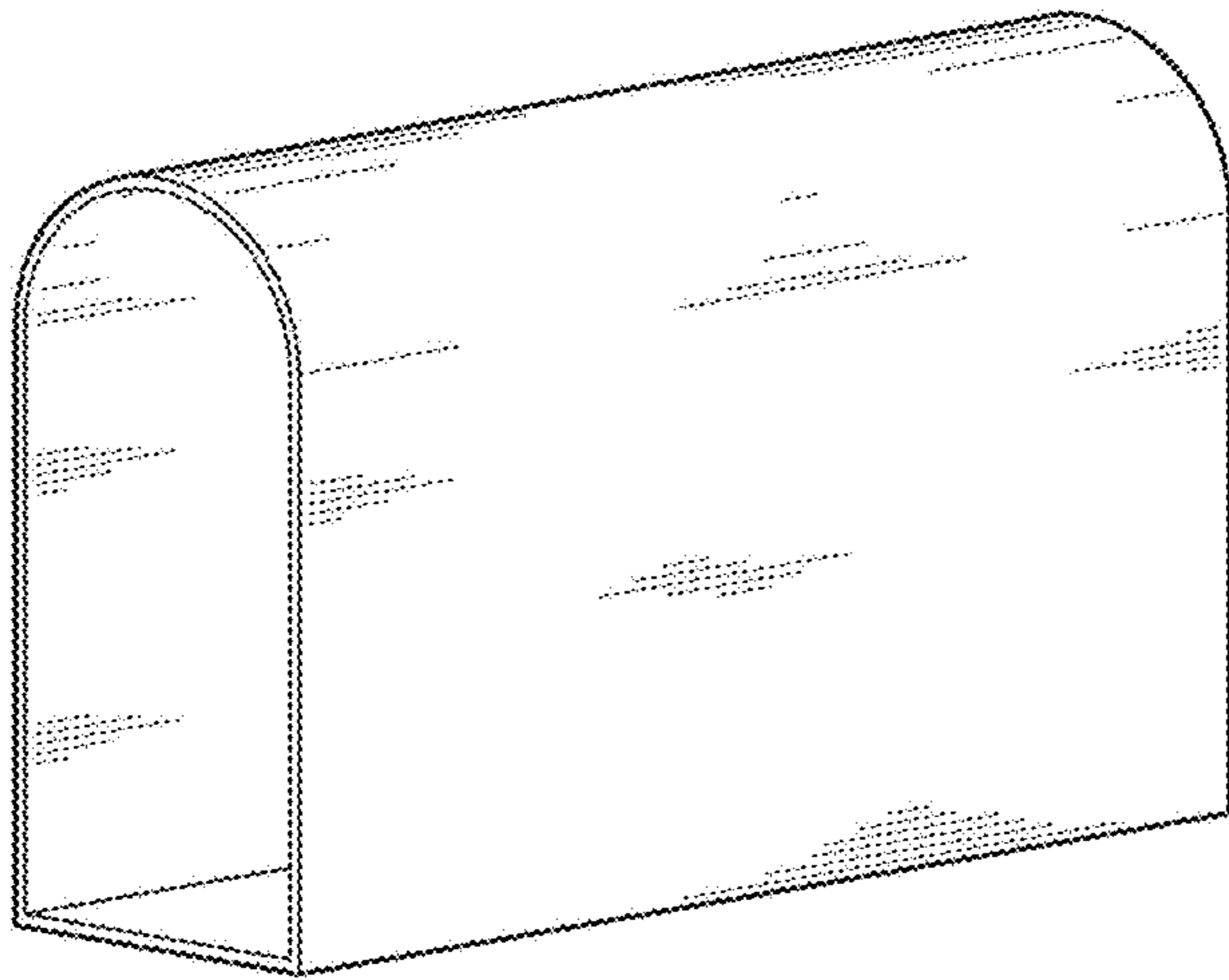


FIG. 1

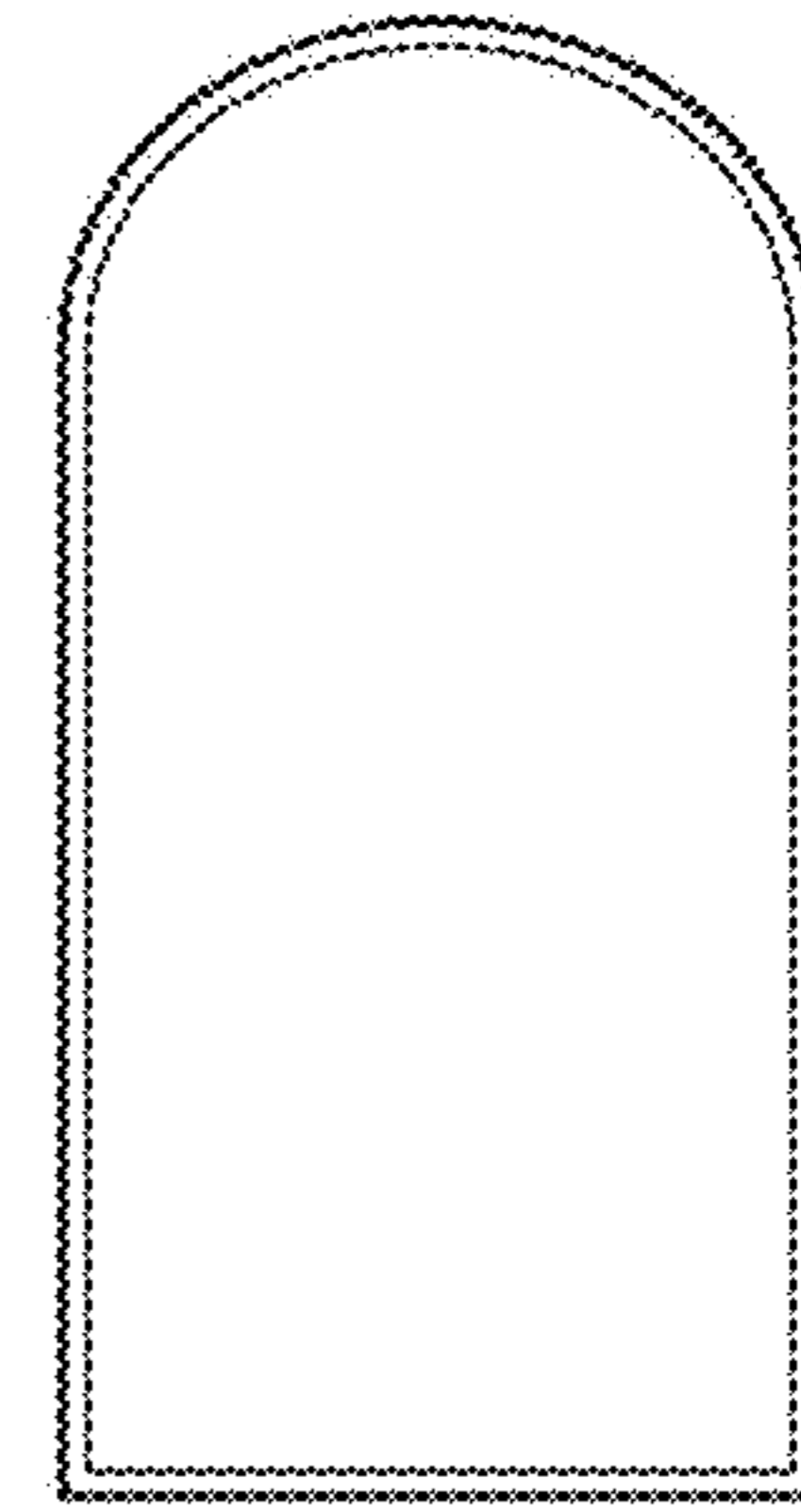


FIG. 2

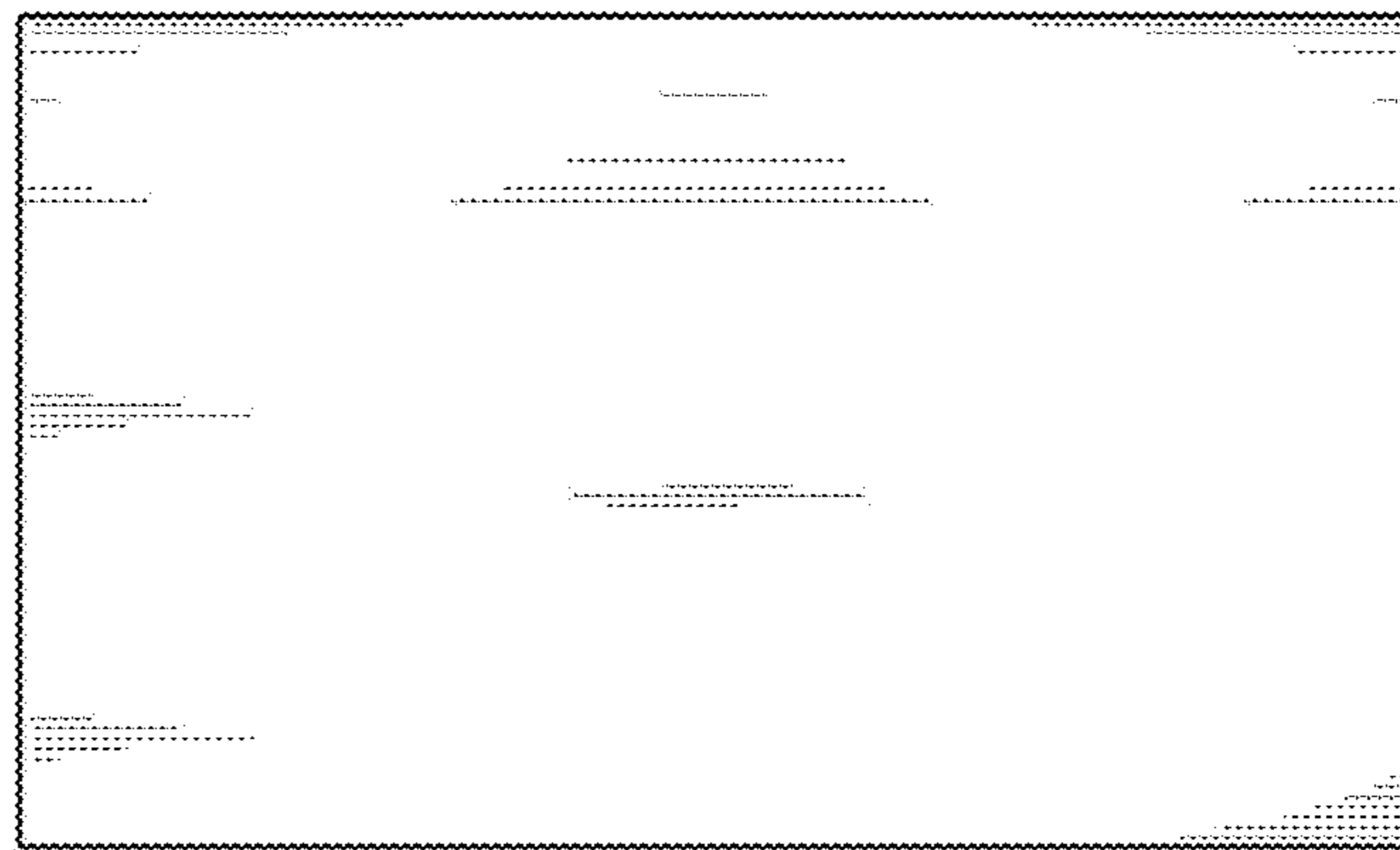


FIG. 3

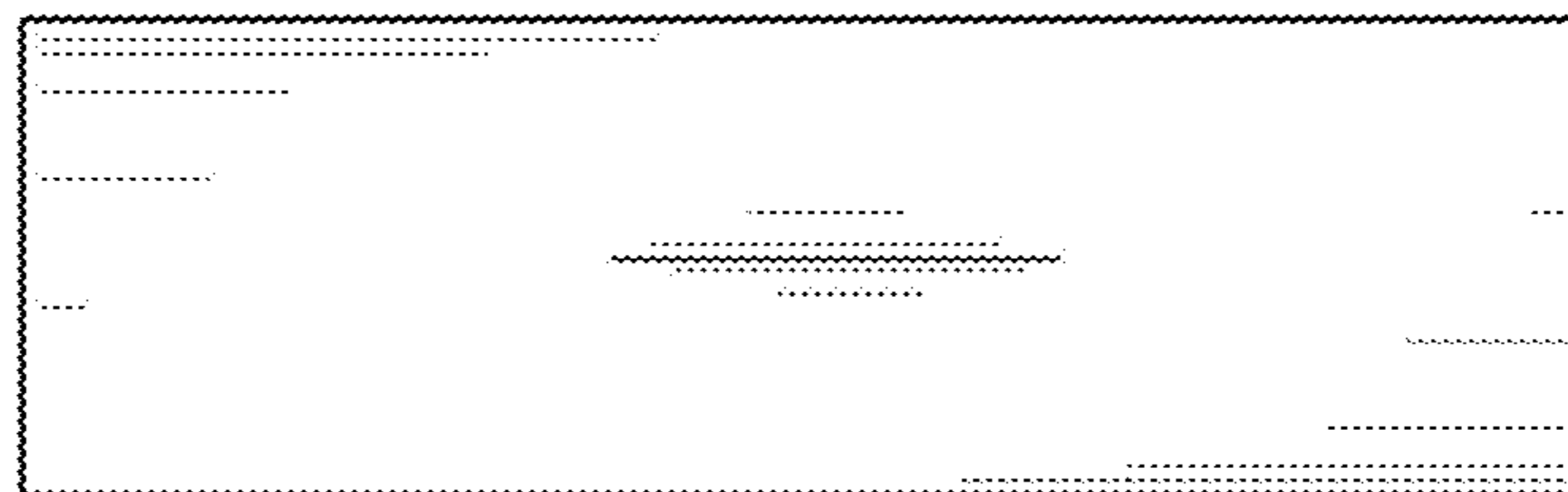


FIG. 4

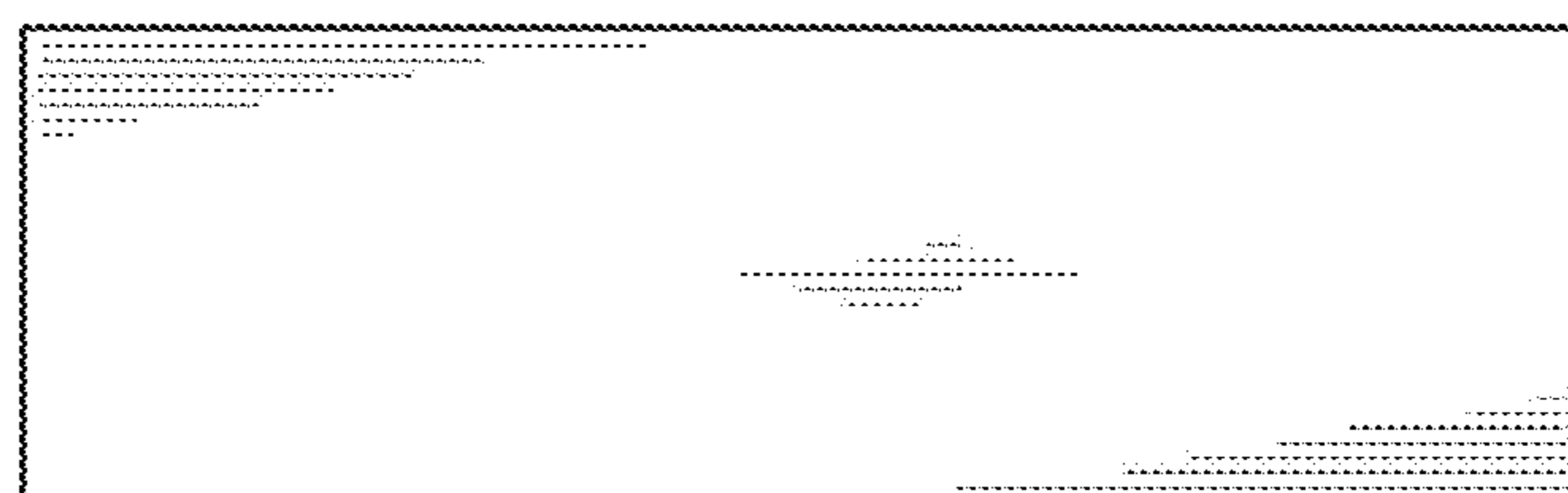


FIG. 5

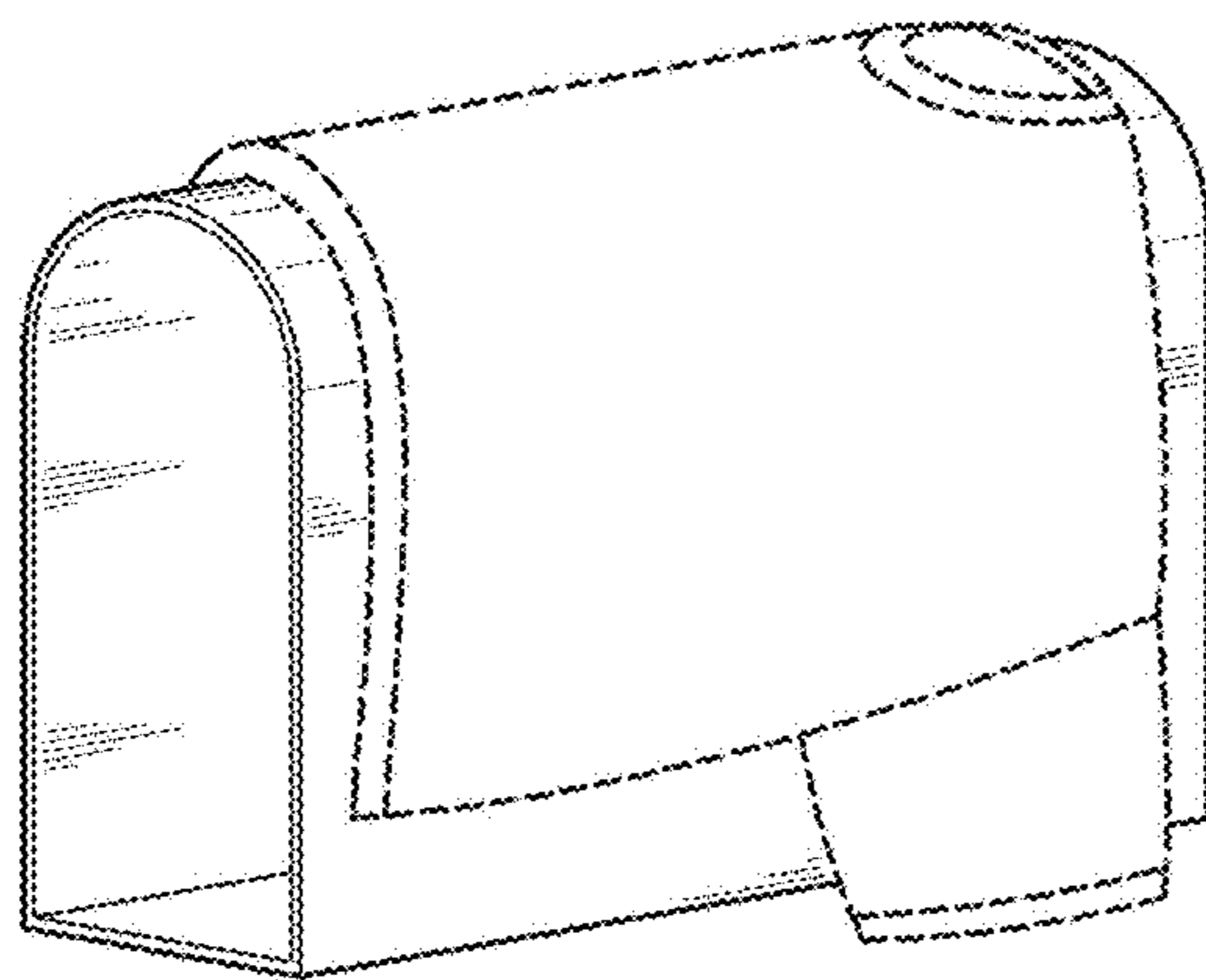


FIG. 6