



US00D917898S

(12) **United States Design Patent**  
**Sandgrund**

(10) **Patent No.:** **US D917,898 S**

(45) **Date of Patent:** **\*\* May 4, 2021**

- (54) **SHELF**
- (71) Applicant: **David Michael Sandgrund**, New York, NY (US)
- (72) Inventor: **David Michael Sandgrund**, New York, NY (US)
- (\*\*) Term: **15 Years**
- (21) Appl. No.: **29/672,443**
- (22) Filed: **Dec. 5, 2018**
- (51) **LOC (13) Cl.** ..... **06-08**
- (52) **U.S. Cl.**  
USPC ..... **D6/327**; D6/705.1
- (58) **Field of Classification Search**  
USPC ..... D6/315-328, 553, 567, 569, 570, 572, D6/574, 702, 703.1, 705, 705.1, 705.2, D6/705.5, 706, 707, 707.2; D8/380, 381; D11/14, 17  
CPC ..... A47G 25/28; A47G 25/746; A47G 25/26; A47G 25/0664; A47F 7/163; A47F 5/0846; A47F 5/0892; A47F 5/0006; A47F 5/0018; A47F 7/19; A47F 7/24; A47F 5/0093; A47F 7/281; A47F 5/0043; A47F 1/04; A47F 7/0007; A47F 5/06; A47B 81/00; A47B 57/42; A47B 96/027; A47B 87/02; A47B 81/007; A47B 57/30; A47B 96/02; A47B 47/021  
See application file for complete search history.

2,937,796	A *	5/1960	Donahue	.....	A47G 25/487	223/98
D348,359	S *	7/1994	Hasselbeck	.....	D6/328	
D667,665	S *	9/2012	DelGigante	.....	D6/542	
D765,997	S *	9/2016	Sandgrund	.....	D6/327	
D777,458	S *	1/2017	Sandgrund	.....	D6/327	
D778,072	S *	2/2017	Sandgrund	.....	D6/327	
D778,073	S *	2/2017	Sandgrund	.....	D6/327	
D808,682	S *	1/2018	Anderson	.....	D6/580	
2009/0194495	A1 *	8/2009	Kellogg	.....	B68C 1/002	211/85.11
2014/0284291	A1 *	9/2014	Sandgrund	.....	A47F 5/06	211/85.3

\* cited by examiner

*Primary Examiner* — Lauren R Calve

(74) *Attorney, Agent, or Firm* — Ellenoff Grossman & Schole LLP; James M. Smedley; Alex Korona

(57) **CLAIM**

I claim the ornamental design for a shelf, as shown and described.

**DESCRIPTION**

FIG. 1 is a perspective view showing my new design for a shelf.

FIG. 2 is a front view thereof; the rear view being a mirror image.

FIG. 3 is a right side view thereof; the left side view being a mirror image.

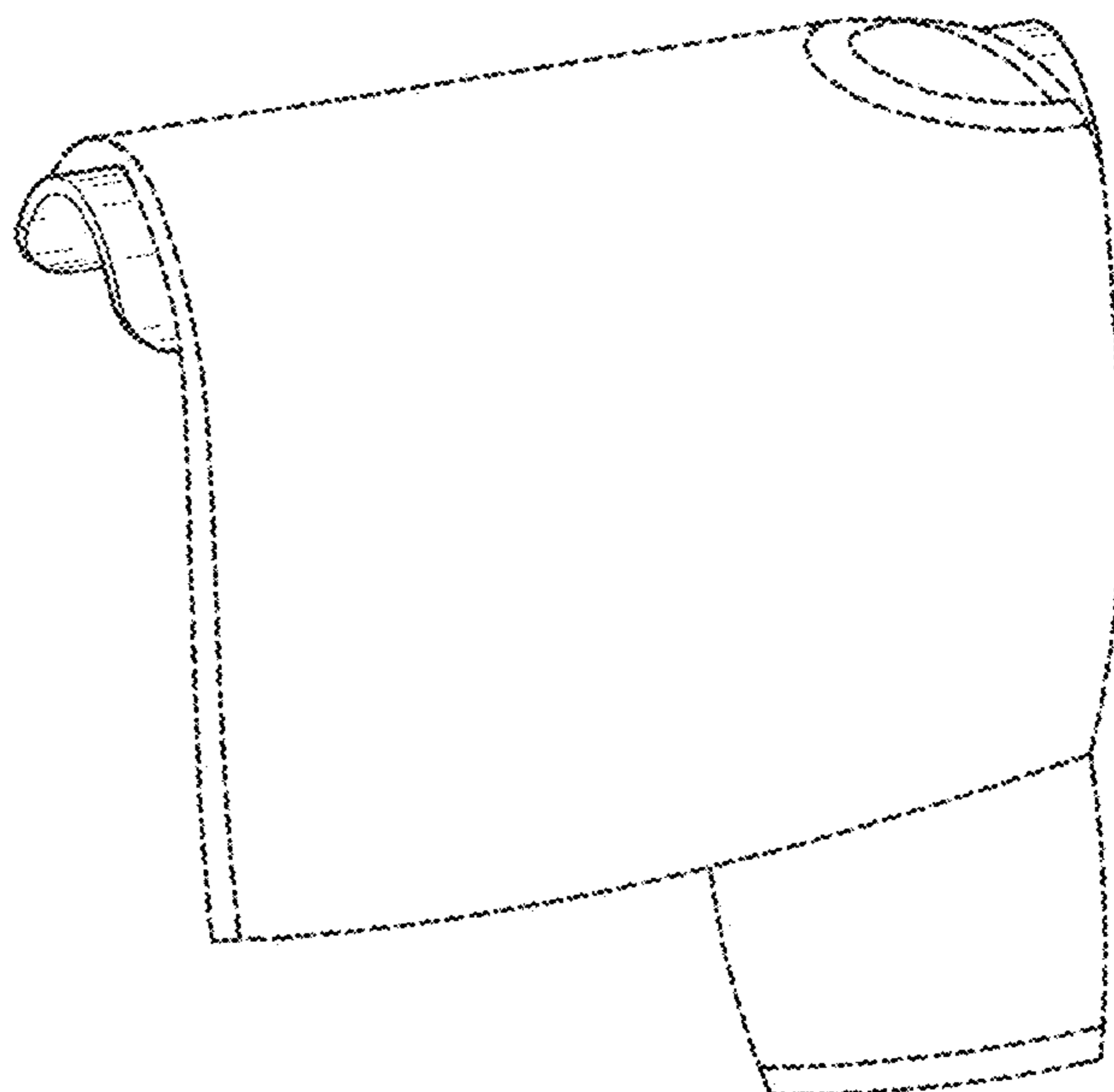
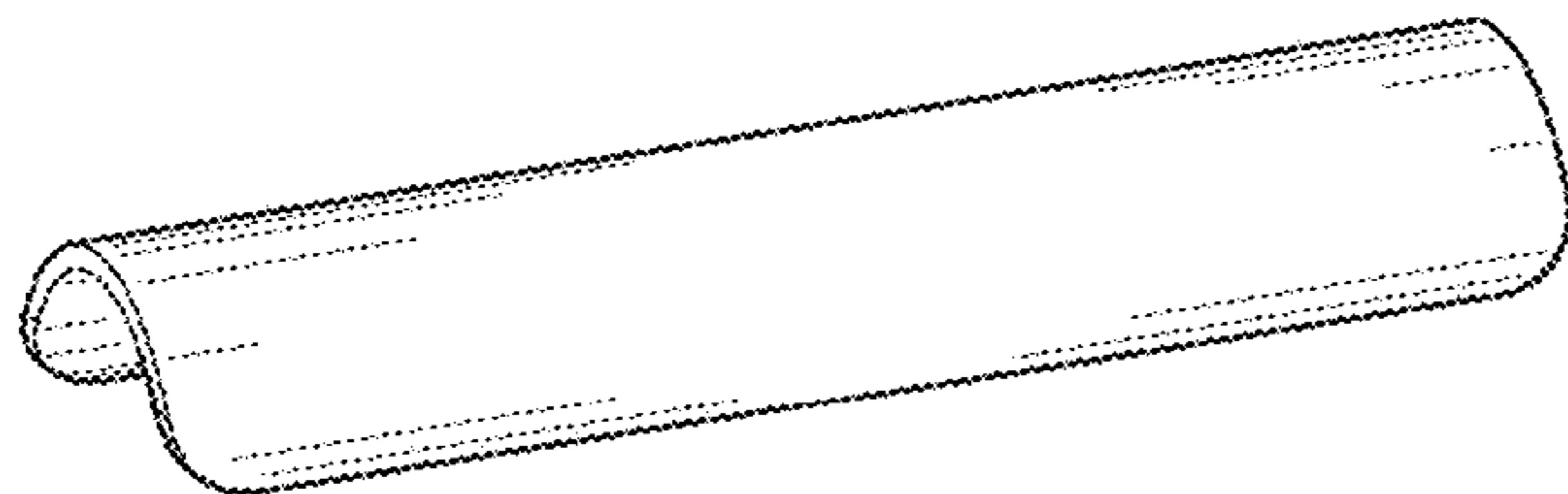
FIG. 4 is a top view thereof.

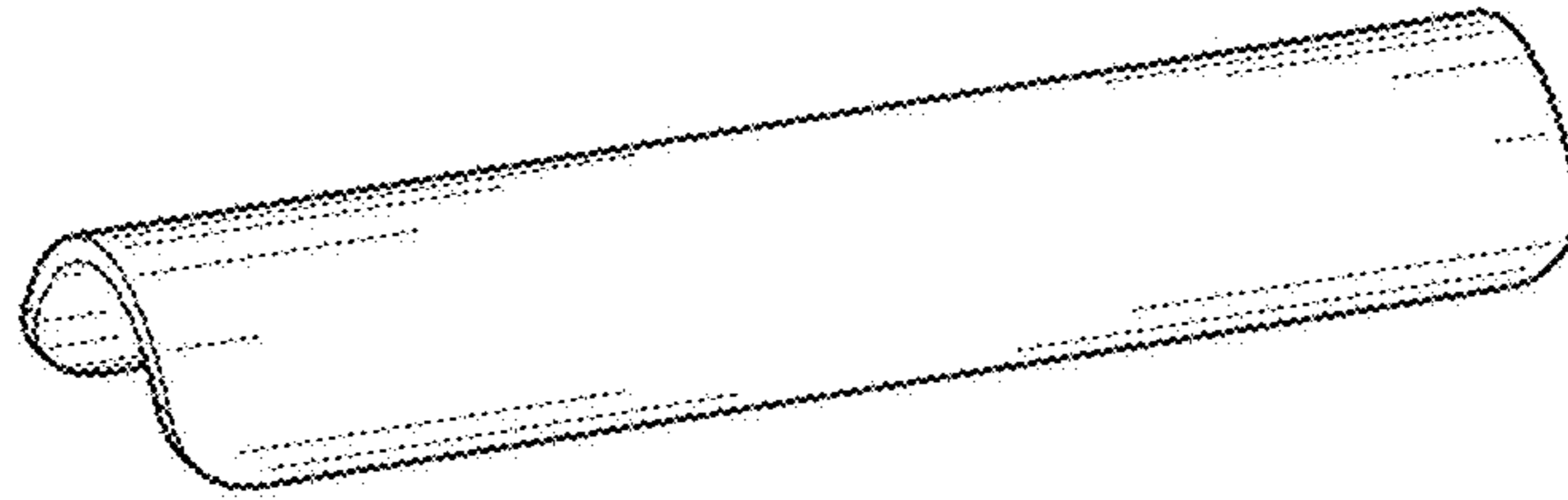
FIG. 5 is a bottom view thereof; and,

FIG. 6 is a second perspective view thereof, shown in environmental use.

The broken lines represent unclaimed subject matter and form no part of the claimed design.

**1 Claim, 2 Drawing Sheets**





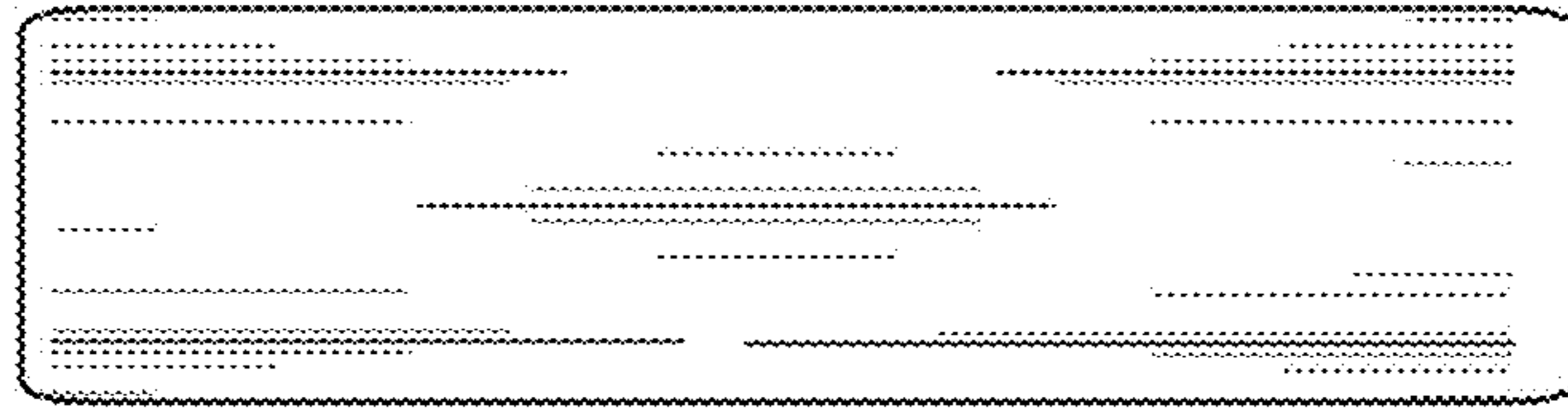
**FIG. 1**



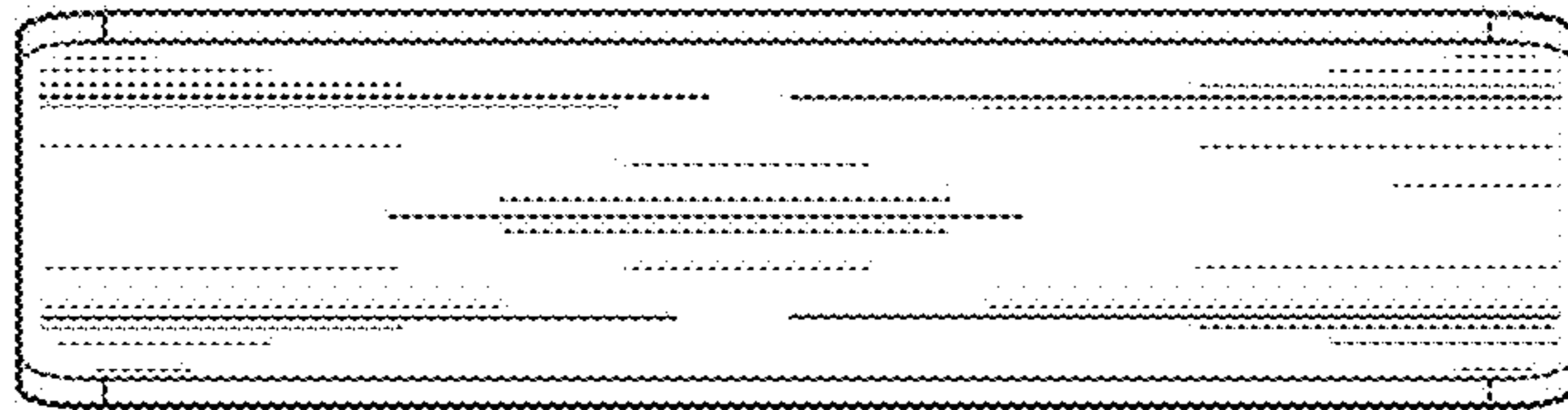
**FIG. 2**



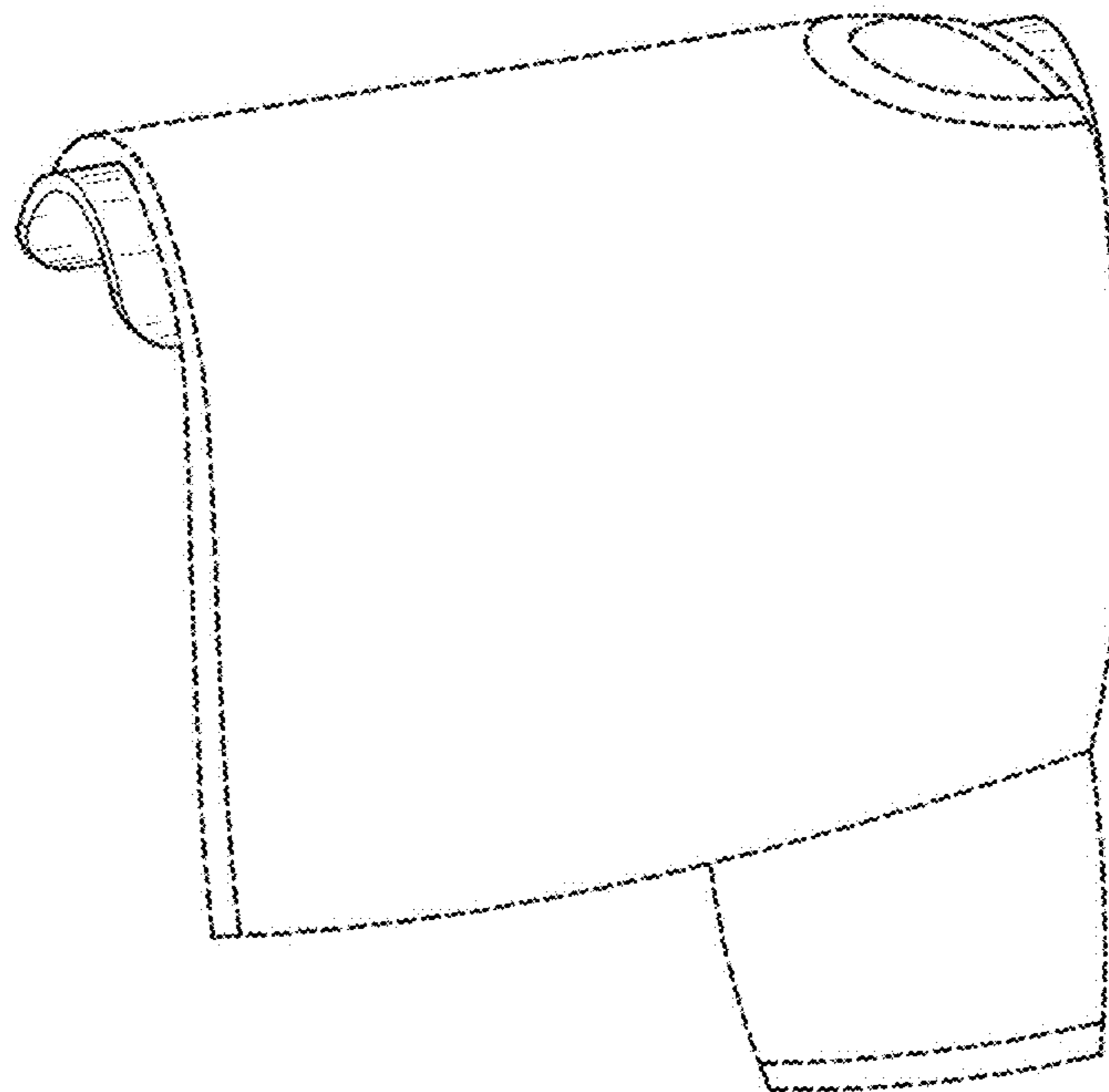
**FIG. 3**



**FIG. 4**



**FIG. 5**



**FIG. 6**