



US00D917891S

(12) **United States Design Patent**  
**Hamilton**

(10) **Patent No.:** **US D917,891 S**

(45) **Date of Patent:** **\*\* May 4, 2021**

(54) **DETAILING TOOL**

(71) Applicant: **Lilly Brush Co., LLC**, Englewood, CO (US)

(72) Inventor: **Elsie Cryder Hamilton**, Englewood, CO (US)

(73) Assignee: **LILLY BRUSH CO., LLC**, Englewood, CO (US)

(\*\*) Term: **15 Years**

(21) Appl. No.: **29/699,547**

(22) Filed: **Jul. 26, 2019**

(51) **LOC (13) Cl.** ..... **04-01**

(52) **U.S. Cl.**

USPC ..... **D4/138**

(58) **Field of Classification Search**

USPC ..... D4/100, 102, 109, 114, 115, 116, 117, D4/118, 119, 120, 121, 122, 123, 124, D4/125, 126, 127, 128, 129, 130, 131, D4/132, 133, 134, 135, 136, 137, 138, D4/199; D32/40, 41, 42, 45, 46, 49, 50, D32/51; D9/434, 436; D24/214, 215; 132/113; 15/245

CPC . A46B 5/02; A46B 11/002; A46B 2200/3013; A46B 2200/3006; A46B 2200/3073; A46B 5/021; A46B 2200/1093; A45D 24/22

See application file for complete search history.

(56) **References Cited**

**U.S. PATENT DOCUMENTS**

44,160 A \* 9/1864 Burr ..... A47L 1/06 15/245  
D19,979 S 7/1890 Spruill  
496,619 A \* 5/1893 Ruffing ..... A47L 1/06 15/245  
532,462 A 1/1895 Humphrey  
D32,484 S 4/1900 Bowles

1,388,282 A 8/1921 Meredith  
1,804,415 A 5/1931 Leonard  
2,261,475 A \* 11/1941 Kautenberg ..... A47L 1/06 15/245  
2,380,855 A 7/1945 Lower  
2,637,893 A 5/1953 Shaw  
(Continued)

**FOREIGN PATENT DOCUMENTS**

EP 2289637 A1 3/2011  
GB 2191392 A 12/1987  
GB 2085421 7/1999

**OTHER PUBLICATIONS**

Lilly Brush Mighty Pet Hair Detailer with 52" Sturdy Steel Handle for removing Dog Hair and Cat Hair from Carpets and R . . . [on-line]. [Original publication date unknown.] [Retrieved from the Internet Dec. 30, 2020.] (Year: 2020).\*

(Continued)

*Primary Examiner* — Karen E Eldridge Powers  
(74) *Attorney, Agent, or Firm* — Thompson Coburn LLP

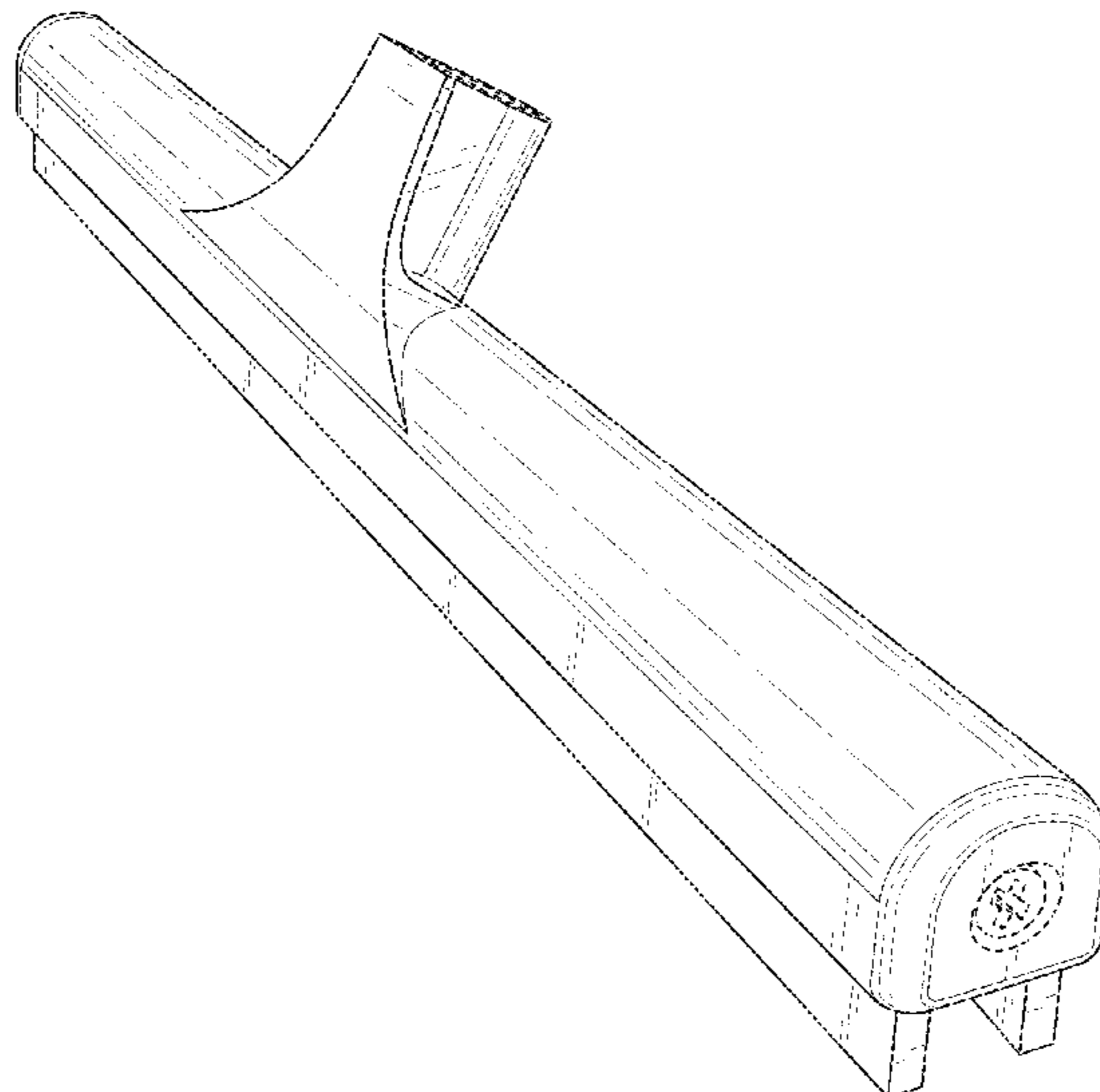
(57) **CLAIM**

The ornamental design for a detailing tool, as shown and described.

**DESCRIPTION**

FIG. 1 is a perspective view of the detailing tool showing my new design;  
FIG. 2 is a front elevation view thereof;  
FIG. 3 is a rear elevation view thereof;  
FIG. 4 is a right side elevation thereof;  
FIG. 5 is a left side elevation view thereof;  
FIG. 6 is a top plan view thereof; and,  
FIG. 7 is a bottom plan view thereof.  
The broken lines immediately adjacent the shaded areas represent the bounds of the claimed design and form no part of the claimed design.

**1 Claim, 4 Drawing Sheets**



(56)

References Cited

U.S. PATENT DOCUMENTS

3,087,223 A 4/1963 Raw  
 3,120,019 A 2/1964 Scott  
 3,230,566 A 1/1966 Willard  
 D208,190 S 8/1967 Parry  
 3,765,046 A 10/1973 Tsuruzawa  
 D229,160 S 11/1973 Meyer  
 D241,603 S 9/1976 MacNeil  
 4,042,995 A 8/1977 Varon  
 D254,703 S 4/1980 Seres  
 D261,601 S 11/1981 Kettlestrings  
 D269,944 S 8/1983 Young  
 D282,112 S \* 1/1986 Maust ..... D32/50  
 4,639,965 A 2/1987 Suzuki  
 D298,072 S \* 10/1988 Stirling ..... D32/40  
 D299,289 S \* 1/1989 Machacek ..... D32/50  
 D332,160 S 12/1992 Kuzma  
 D339,889 S 9/1993 Kessler et al.  
 D343,559 S 1/1994 Liberty  
 D348,986 S 7/1994 Ross  
 D358,011 S 5/1995 Decarli  
 D358,491 S 5/1995 Hoagland  
 5,467,495 A 11/1995 Boland et al.  
 D372,128 S \* 7/1996 Beach ..... D4/116  
 D384,818 S \* 10/1997 Wolfenden ..... D32/50  
 D401,243 S 11/1998 Guttadauro  
 D401,595 S 11/1998 Guttadauro  
 5,850,660 A 12/1998 O'Halloran  
 D415,616 S \* 10/1999 Camp, Jr. .... D4/199  
 6,086,373 A 7/2000 Schiff et al.  
 D459,088 S 6/2002 Rowe et al.  
 D477,700 S 7/2003 Chezzi  
 D480,564 S \* 10/2003 Petner ..... D4/199  
 D503,316 S 3/2005 Webb et al.  
 6,901,622 B2 6/2005 Thompson et al.  
 D511,873 S 11/2005 Vitantonio et al.  
 D513,813 S 1/2006 Avery  
 D514,763 S 2/2006 Lyall, III et al.  
 D515,822 S \* 2/2006 Libman ..... D4/199  
 D557,021 S 12/2007 Zemel  
 D557,901 S 12/2007 Zemel  
 D567,511 S 4/2008 Borovicka et al.  
 D572,487 S \* 7/2008 Miller ..... D4/118

D586,966 S \* 2/2009 Nobile ..... D32/40  
 7,503,093 B2 3/2009 Weihrauch  
 D593,755 S 6/2009 Mendez et al.  
 D597,740 S 8/2009 Borovicka et al.  
 7,644,466 B2 1/2010 Weihrauch et al.  
 D624,720 S 9/2010 Motsenbocker  
 D664,363 S 7/2012 Rothman  
 D704,451 S 5/2014 Schouten et al.  
 D706,109 S 6/2014 McGarrity  
 D712,608 S 9/2014 Crawley  
 D741,605 S 10/2015 Witzel et al.  
 D770,115 S \* 10/2016 Ritch ..... D32/41  
 D804,827 S \* 12/2017 Smith ..... D4/132  
 D805,784 S \* 12/2017 Wang ..... D4/120  
 D825,192 S 8/2018 Duvall  
 D844,273 S \* 3/2019 Mitchell ..... B05C 17/10  
 D32/41  
 D856,618 S \* 8/2019 Liu ..... D32/46  
 D893,112 S \* 8/2020 Axelrod ..... D30/159  
 D898,313 S \* 10/2020 Corbin ..... D32/50  
 D903,955 S \* 12/2020 Singer ..... D30/159  
 2009/0110894 A1 4/2009 Nybakken et al.  
 2010/0293733 A1 11/2010 Hebebrand  
 2011/0258790 A1 10/2011 Cole  
 2012/0311800 A1 12/2012 Lew

OTHER PUBLICATIONS

“Pill (textiles)”, [http://en.wikipedia.org/wiki/Pill\\_textile](http://en.wikipedia.org/wiki/Pill_textile), accessed Jan. 4, 2018.  
 “USU Extension: Caring for Your Sweaters”, Jan. 24, 2008, <http://studio5.ksl.com/?nid=58&sid=2535009>, Accessed Mar. 6, 2015.  
 Autogeek, “Lilly Brush Pet Hair Detailer”, <<https://www.autogeek.net/lilly-pet-hair-brush.html>>, accessed Sep. 19, 2018.  
 Machine translation of EP2289637A1, 2011.  
 Somitape, “Sh102 High Performance Hand-Held Cotton Squeegee”, MadeInChina website, <<https://somitape.en.made-in-china.com/...a-Somitape-Sh102-High-Performance-Hand-Held-Cotton-Squeegee-for-Cleaning-and-Printing.html>>, accessed Sep. 19, 2018.  
 YouTube, “Lilly Brush Pet Hair Detailer”, Aug. 15, 2017, site visited Sep. 3, 2018, <<https://www.youtube.com/watch?v=v1SViJzs7WM>>, 2 pages.

\* cited by examiner

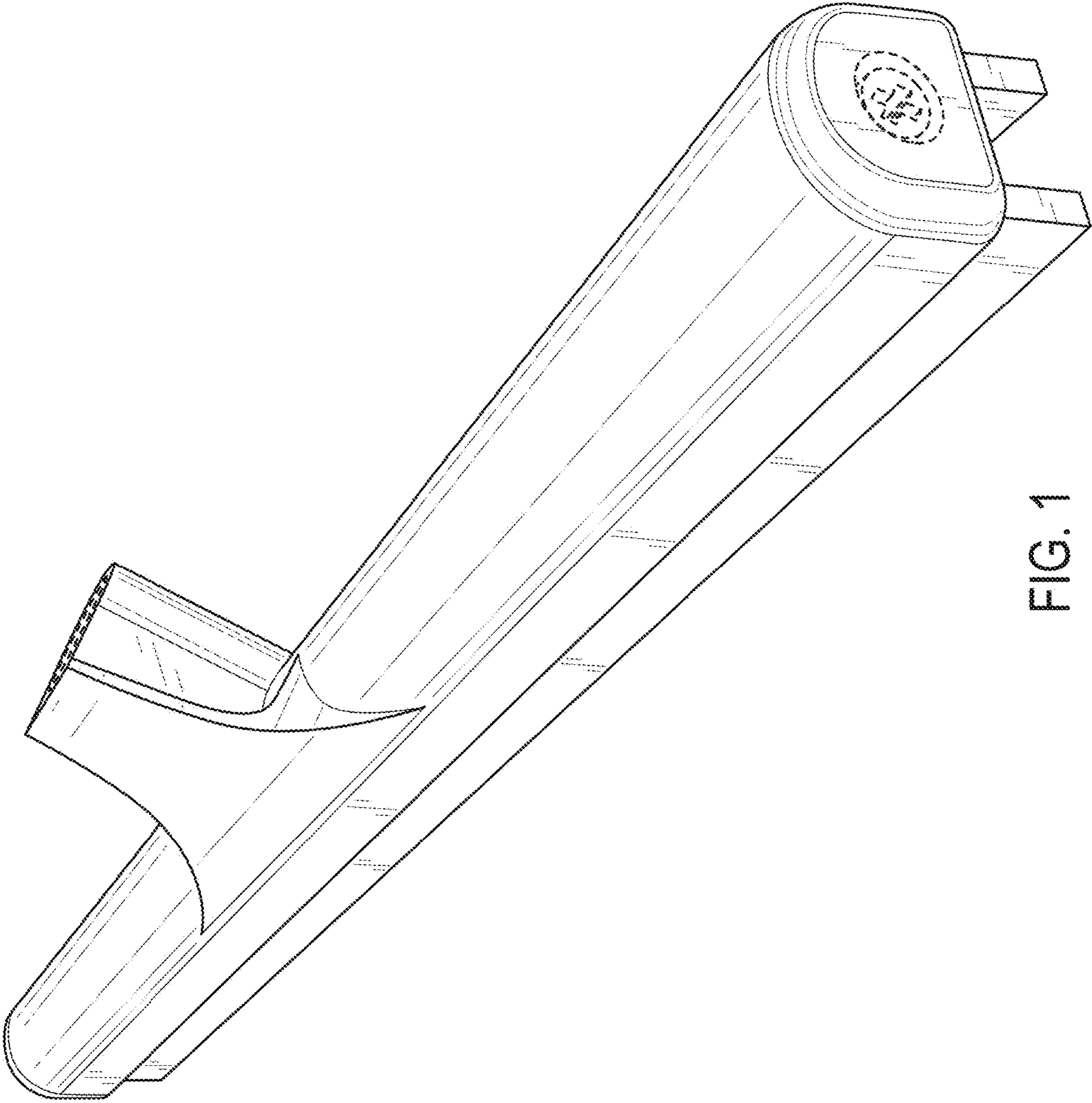


FIG. 1



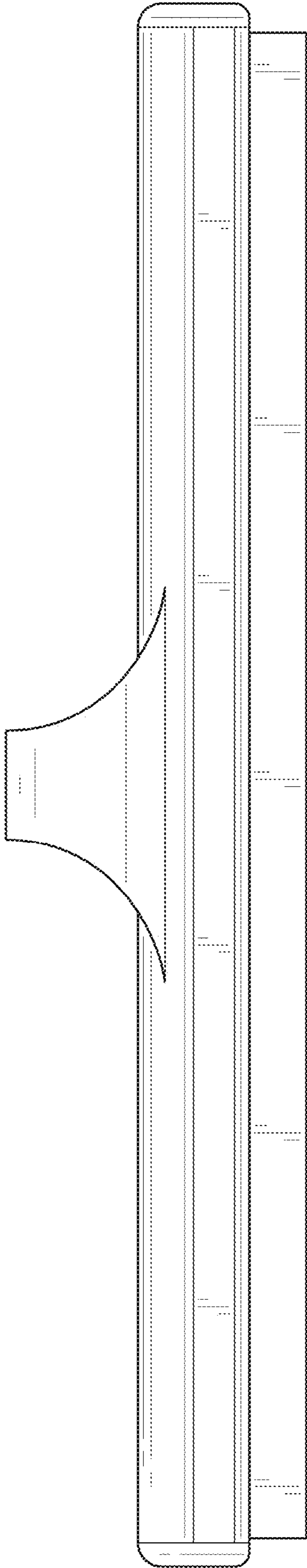


FIG. 2

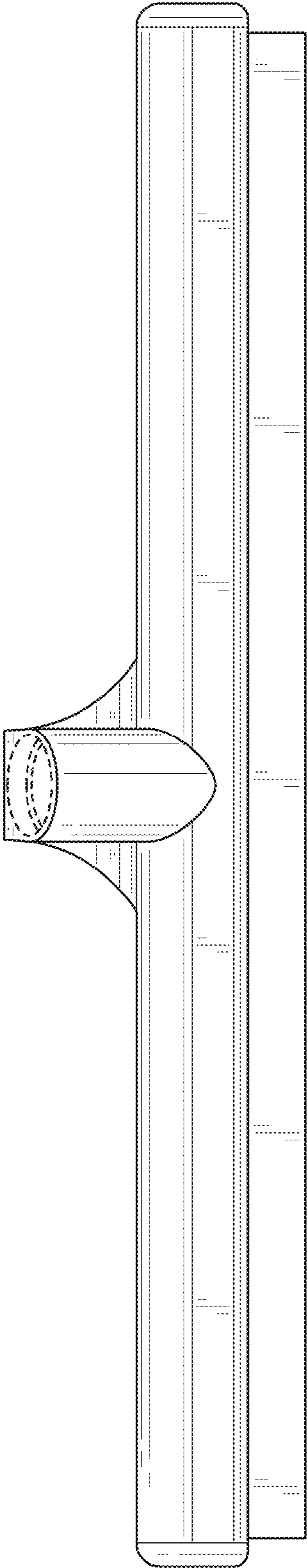


FIG. 3

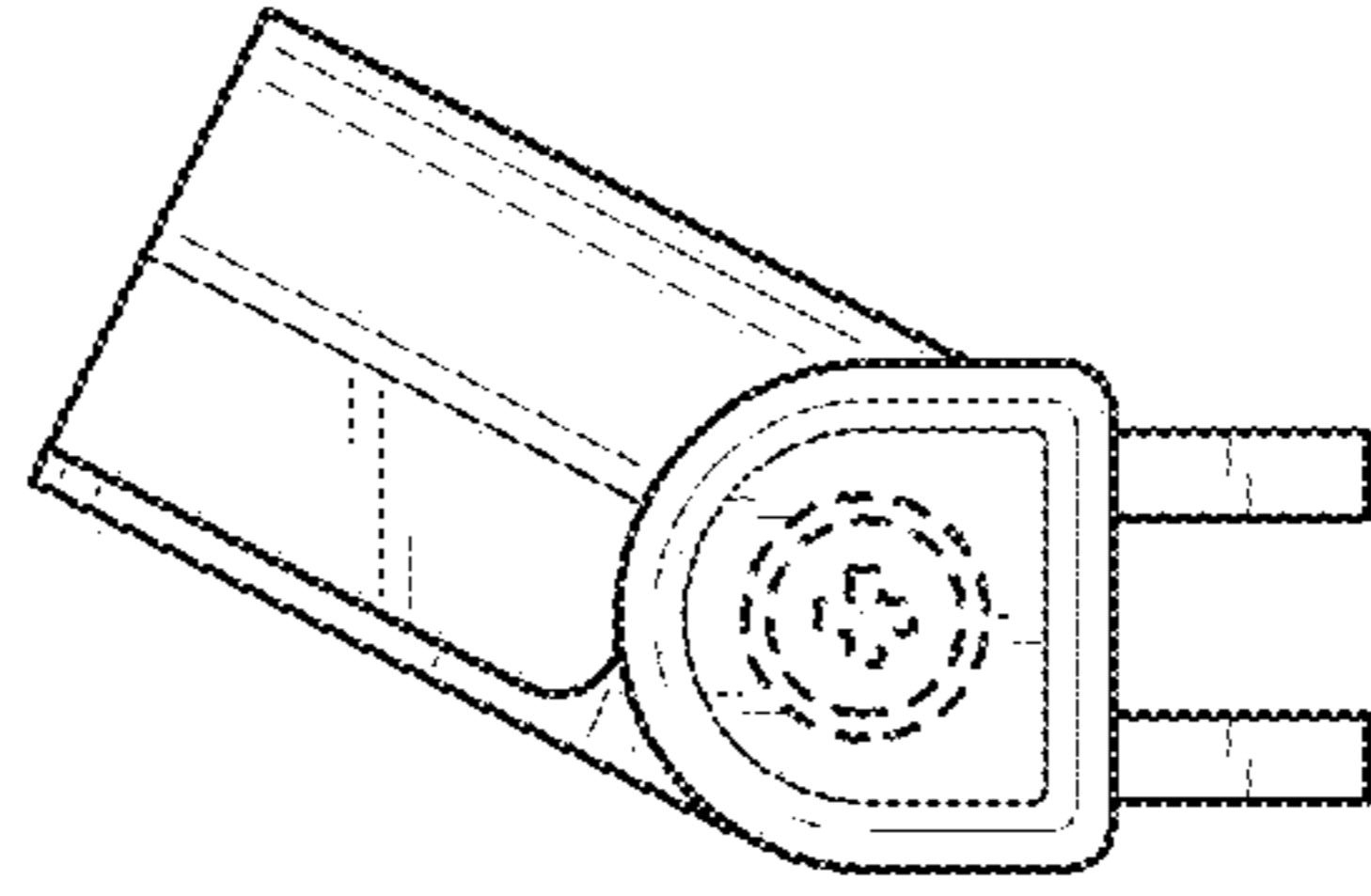


FIG. 5

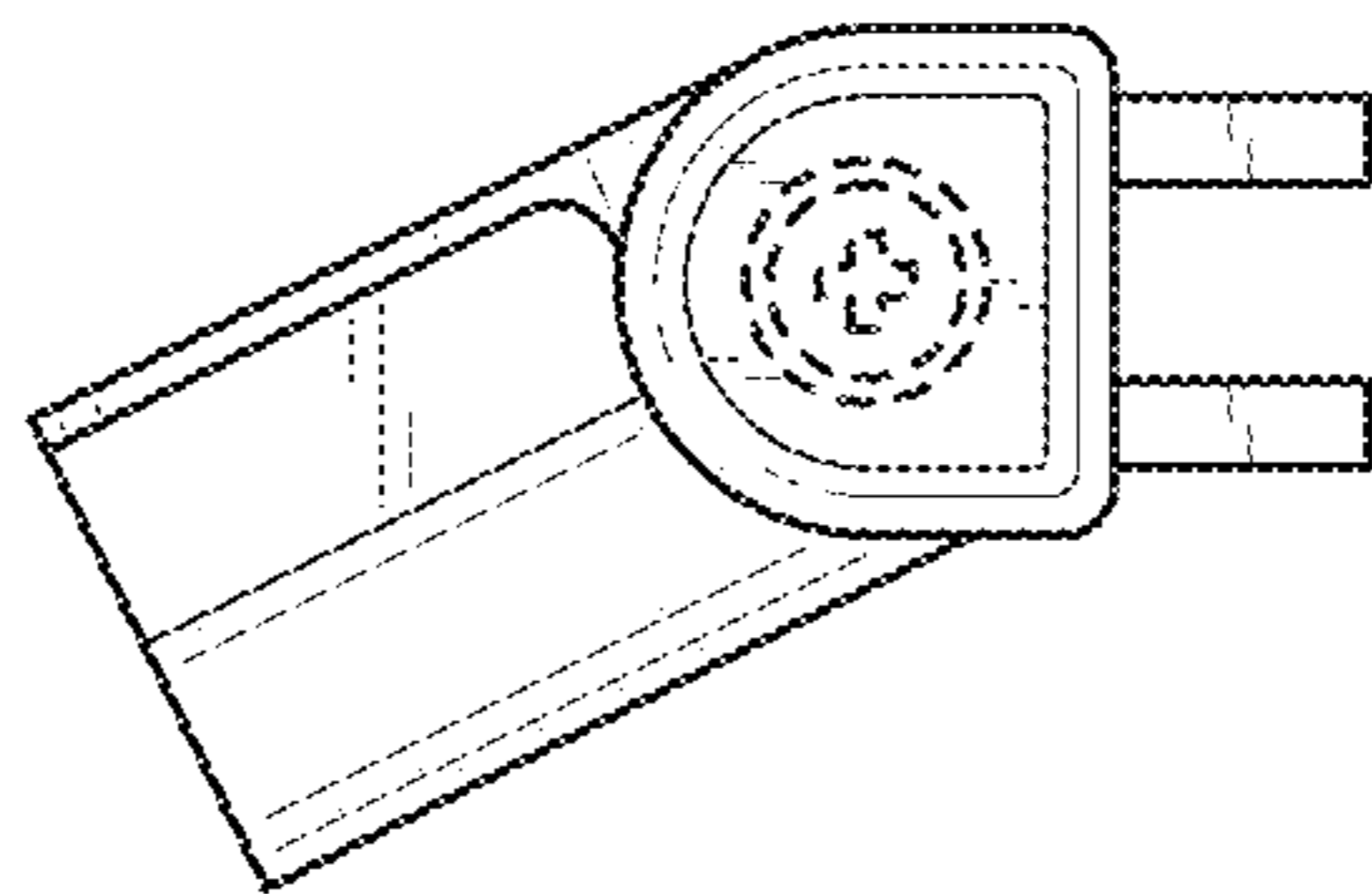


FIG. 4

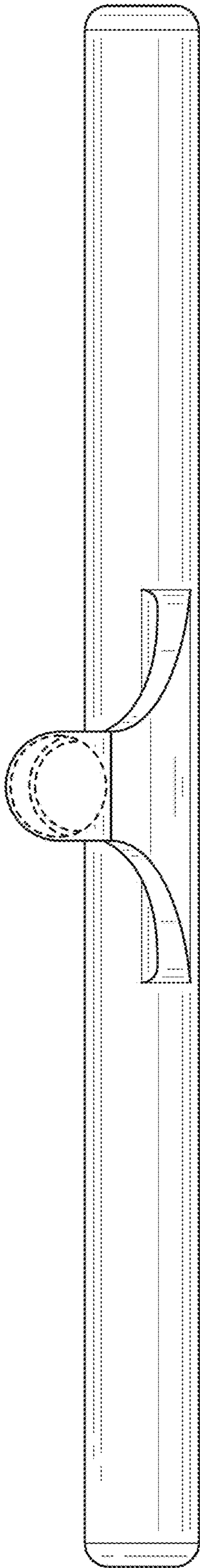


FIG. 6

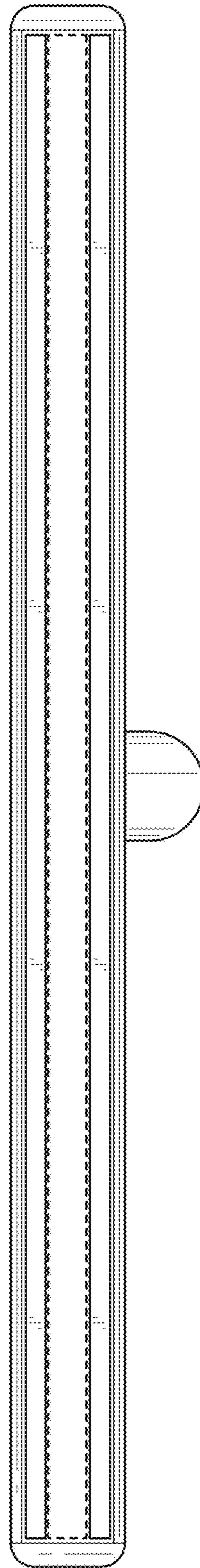


FIG. 7