



US00D917890S

(12) **United States Design Patent**  
**Cai**

(10) **Patent No.:** **US D917,890 S**

(45) **Date of Patent:** **\*\* May 4, 2021**

(54) **LINT REMOVER**

(71) Applicant: **GUANGDONG DEERMA TECHNOLOGY CO., LTD.**,  
Guangdong Province (CN)

(72) Inventor: **Yanqiang Cai**, Guangdong (CN)

(\*\*) Term: **15 Years**

(21) Appl. No.: **29/667,799**

(22) Filed: **Oct. 24, 2018**

(30) **Foreign Application Priority Data**

Jun. 15, 2018 (CN) ..... 201830310222.2

(51) **LOC (13) Cl.** ..... **07-05**

(52) **U.S. Cl.**  
USPC ..... **D4/137**

(58) **Field of Classification Search**  
USPC ..... D28/7, 63, 50; D4/199, 127, 128, 100,  
D4/138, 116; D24/211, 214, 215;  
D32/35; 15/244.1, 244.4  
CPC ..... D06C 13/00; D06C 13/06  
See application file for complete search history.

(56) **References Cited**

**U.S. PATENT DOCUMENTS**

3,142,052	A *	7/1964	Tambert	.....	F21L 2/00 340/321
D298,361	S *	11/1988	Thaler	.....	D28/50
D298,775	S *	11/1988	Lee	.....	D24/214
D306,499	S *	3/1990	Lee	.....	D28/50
D307,957	S *	5/1990	Mockovak	.....	D28/50
D310,890	S *	9/1990	Ho	.....	D28/50
D357,810	S *	5/1995	Evans	.....	D4/114
D417,033	S *	11/1999	Sachs	.....	D28/63
D459,028	S *	6/2002	Hsu	.....	D28/50
D495,831	S *	9/2004	Hsu	.....	D28/50
D513,814	S *	1/2006	Chen	.....	D28/50
D620,643	S *	7/2010	Teteak	.....	D28/50

(Continued)

**OTHER PUBLICATIONS**

Electric Lint Remover by Bloodl [on-line]. [No publishing date available.] [Retrieved from the Internet Sep. 15, 2020.] URL: ><https://www.bloodl.com/shop/gadgets/electric-lint-remover/> (Year: 2020).\*  
[Electric lint remover & fabric shaver | Prym lint shaver [on-line]. [Published Jan. 6, 2014.] [Retrieved from the Internet Sep. 15, 2020.] > <https://www.youtube.com/watch?v=o6t0C4glQj1>< (Year: 2014).\*

(Continued)

*Primary Examiner* — Karen E Eldridge Powers

(74) *Attorney, Agent, or Firm* — Prakash Nama; Global IP Services, PLLC

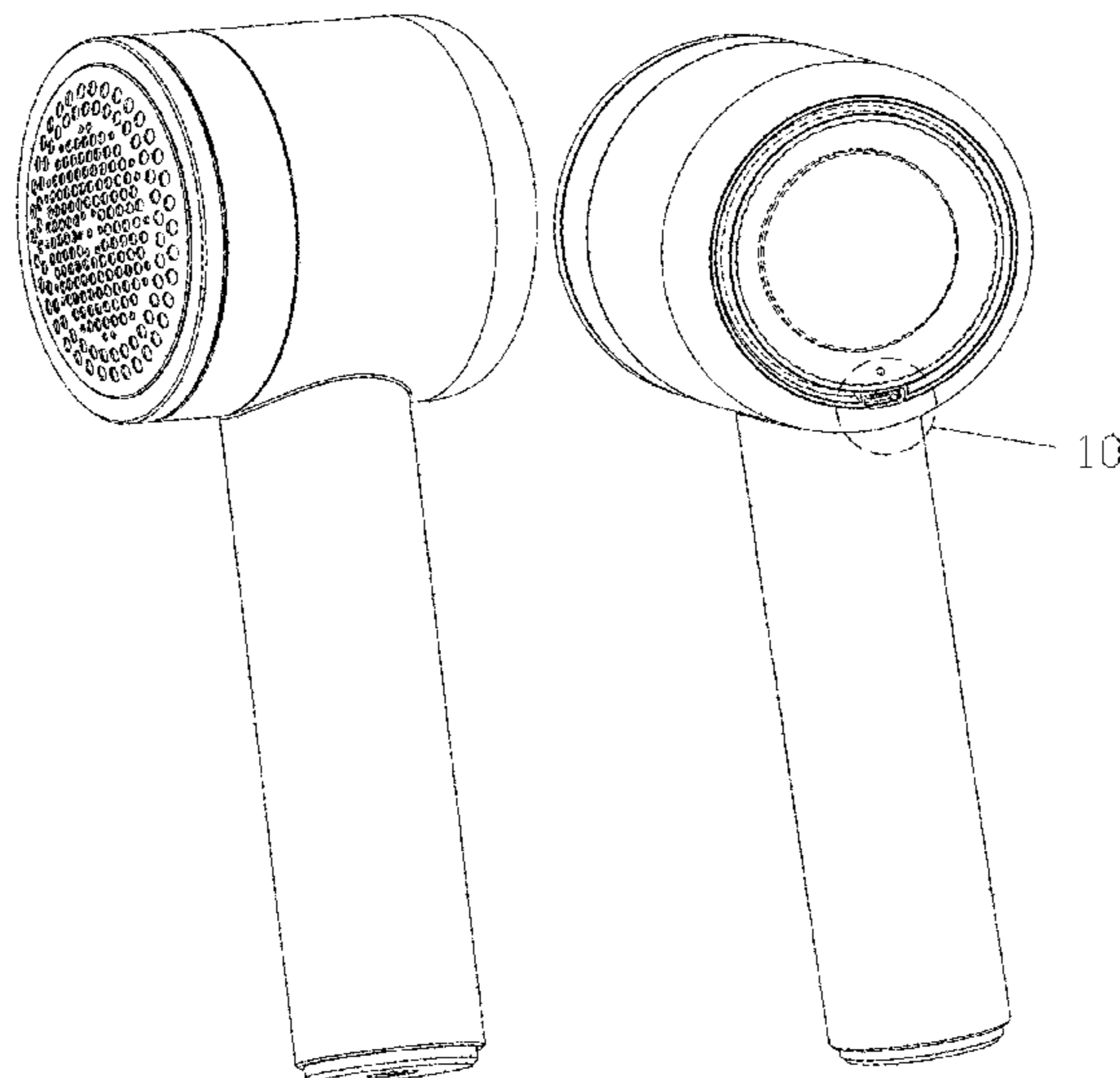
(57) **CLAIM**

The ornamental design for a lint remover, as shown and described.

**DESCRIPTION**

FIG. 1 is a front elevational view of a lint remover showing my new design;  
FIG. 2 is a rear elevational view thereof;  
FIG. 3 is a left side elevation view thereof;  
FIG. 4 is a right side elevation view thereof;  
FIG. 5 is a top plan view thereof;  
FIG. 6 is a bottom plan view thereof;  
FIG. 7 is a perspective view thereof, taken from the front and right side;  
FIG. 8 is a perspective view thereof, taken from the rear and right side;  
FIG. 9 is an enlarged perspective view thereof, taken from below; and,  
FIG. 10 is an enlarged view of portion 10 shown in FIG. 8. The broken-line circle shown in broken lines in FIGS. 8 and 10 illustrate the bounds of the portion of FIG. 8 that is shown in the enlargement in FIG. 10 and form no part of the claimed design. The remaining broken lines depict portions of the lint remover that form no part of the claimed design.

**1 Claim, 9 Drawing Sheets**



(56)

**References Cited**

## U.S. PATENT DOCUMENTS

D671,267 S \* 11/2012 Hsu ..... D28/50  
D678,611 S \* 3/2013 Hsu ..... D28/50  
D715,995 S \* 10/2014 Dyson ..... A45D 20/12  
D28/13  
D716,492 S \* 10/2014 Dyson ..... A45D 20/12  
D28/13  
D757,362 S \* 5/2016 Dyson ..... D28/13  
D763,526 S \* 8/2016 Choi ..... D32/25  
9,596,916 B2 \* 3/2017 Moloney ..... A45D 20/10  
D791,407 S \* 7/2017 Smith ..... D28/13  
D828,626 S \* 9/2018 Hsu ..... D28/50  
D841,243 S \* 2/2019 Hsu ..... D28/50  
D841,244 S \* 2/2019 Hsu ..... D28/50  
D891,694 S \* 7/2020 Hsu ..... D28/13  
D893,097 S \* 8/2020 Huang ..... D28/13

## OTHER PUBLICATIONS

TBTeek Fabric Shaver . . . [on-line]. [Original publication date unknown.] [Retrieved from the Internet Sep. 15, 2020.] URL: ><https://www.kmart.com/tbteek-fabric-shaver-tbteek-lint-remover-with-replaceable/p-A082600826>< (Year: 2020).\*

Just-F-Care and WonderLint electric lint removers [on-line]. [Published Feb. 28, 2018.] [Retrieved from the Internet Sep. 15, 2020.] URL: ><https://www.youtube.com/watch?v=NNMxhT3NSms>< (Year: 2018).\*

Xiaomi Lint Remover for Clothes! [on-line]. [Published Dec. 27, 2018.] [Retrieved from the Internet Sep. 15, 2020.] URL: >[https://www.youtube.com/watch?v=lbWs\\_YjOSLew](https://www.youtube.com/watch?v=lbWs_YjOSLew)< (Year: 2018).\*

\* cited by examiner

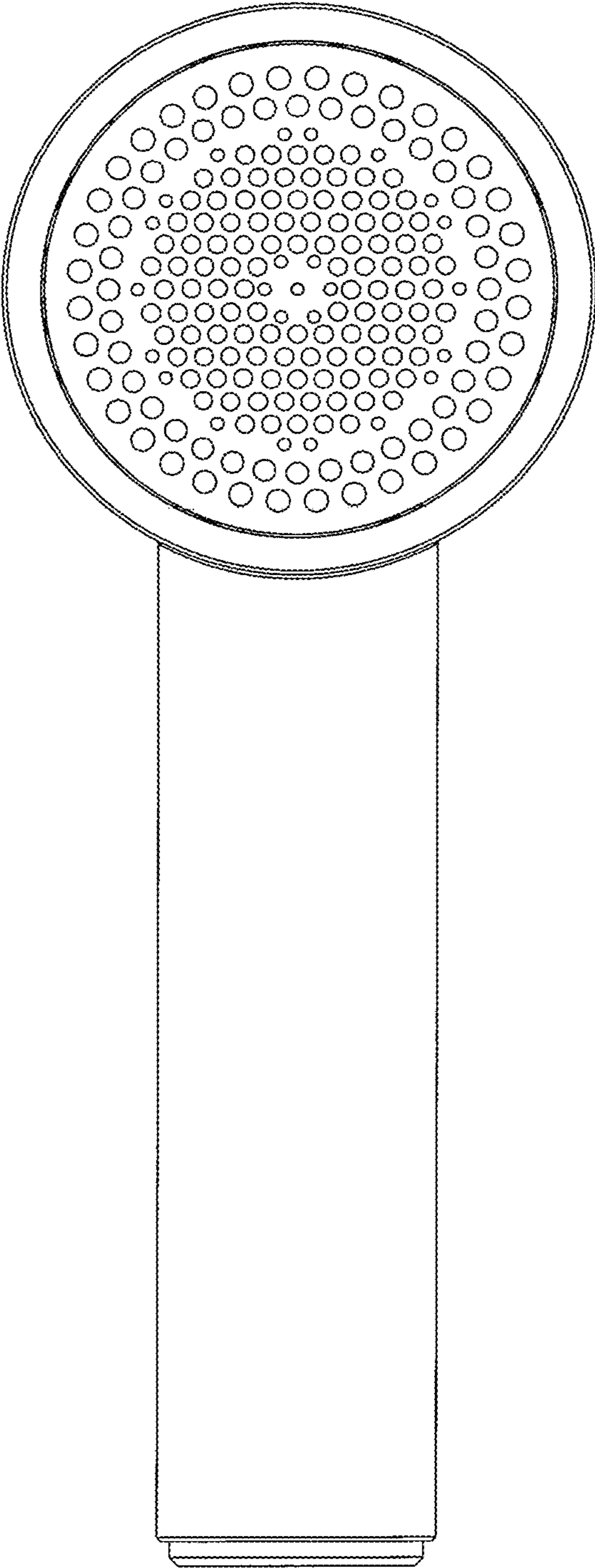


FIG. 1

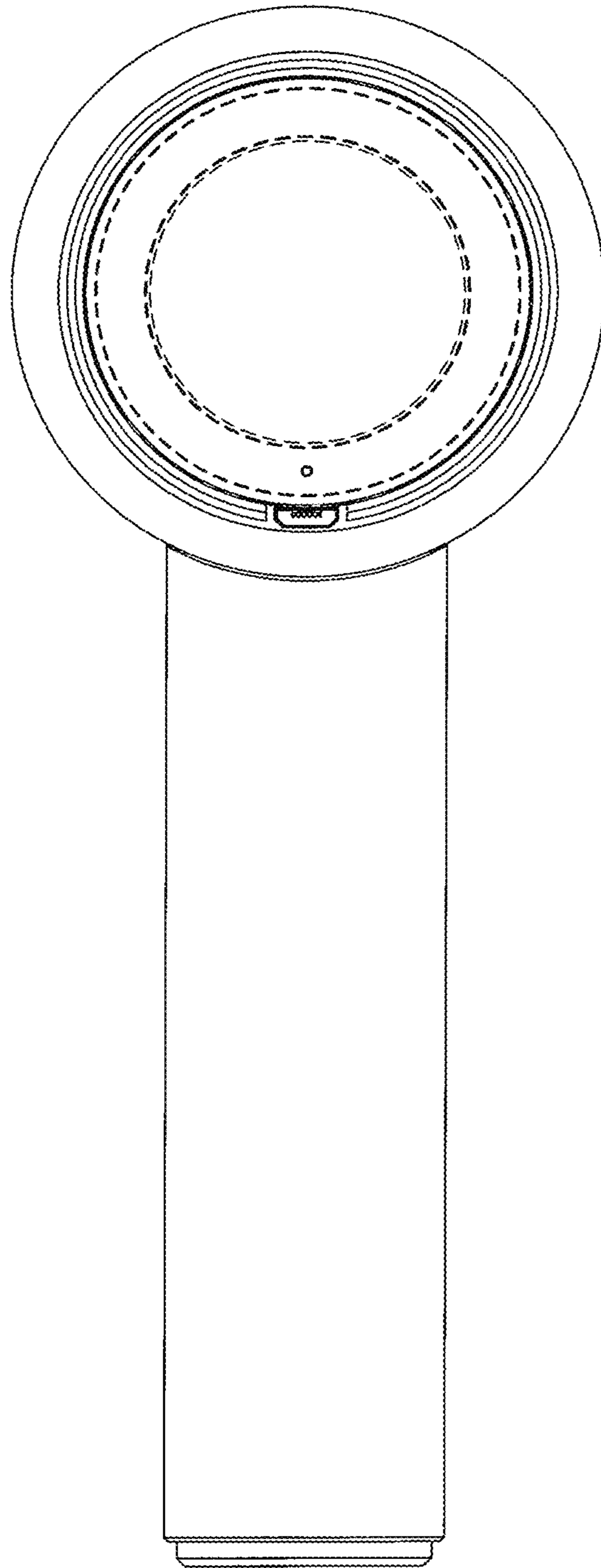


FIG. 2

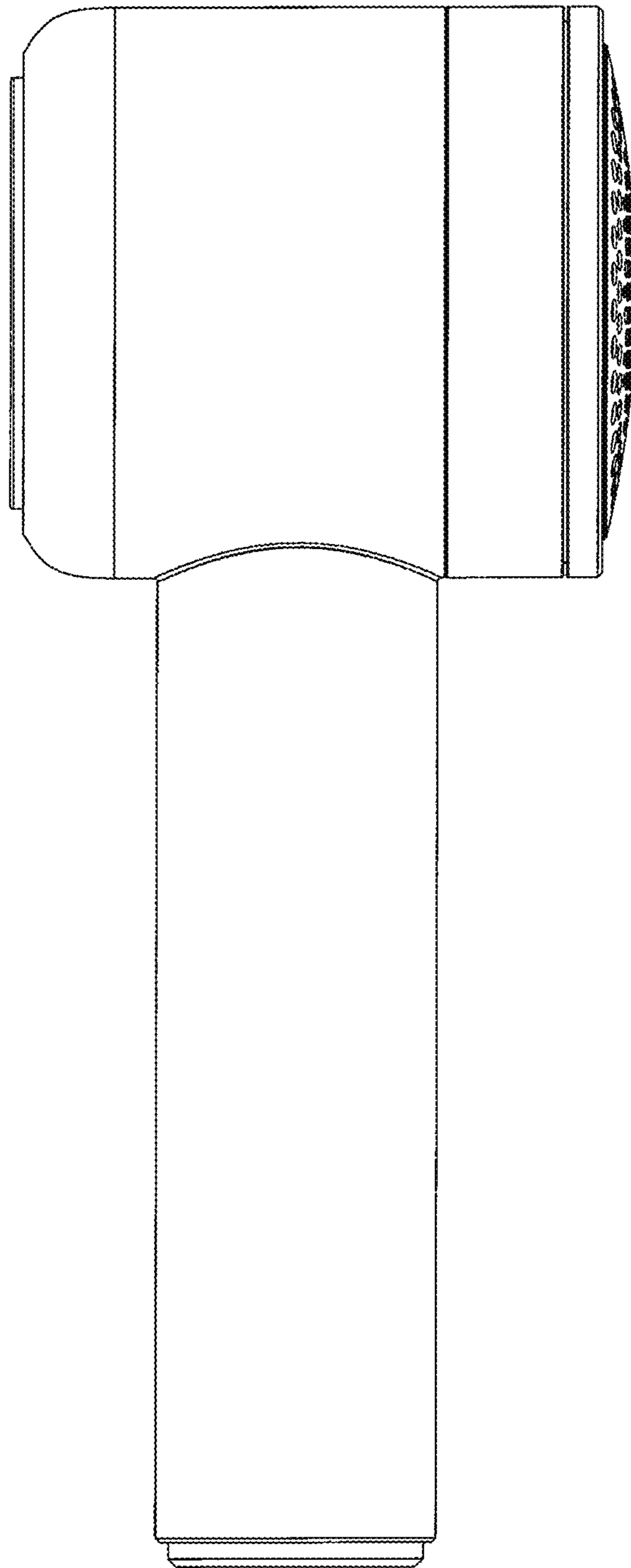


FIG. 3

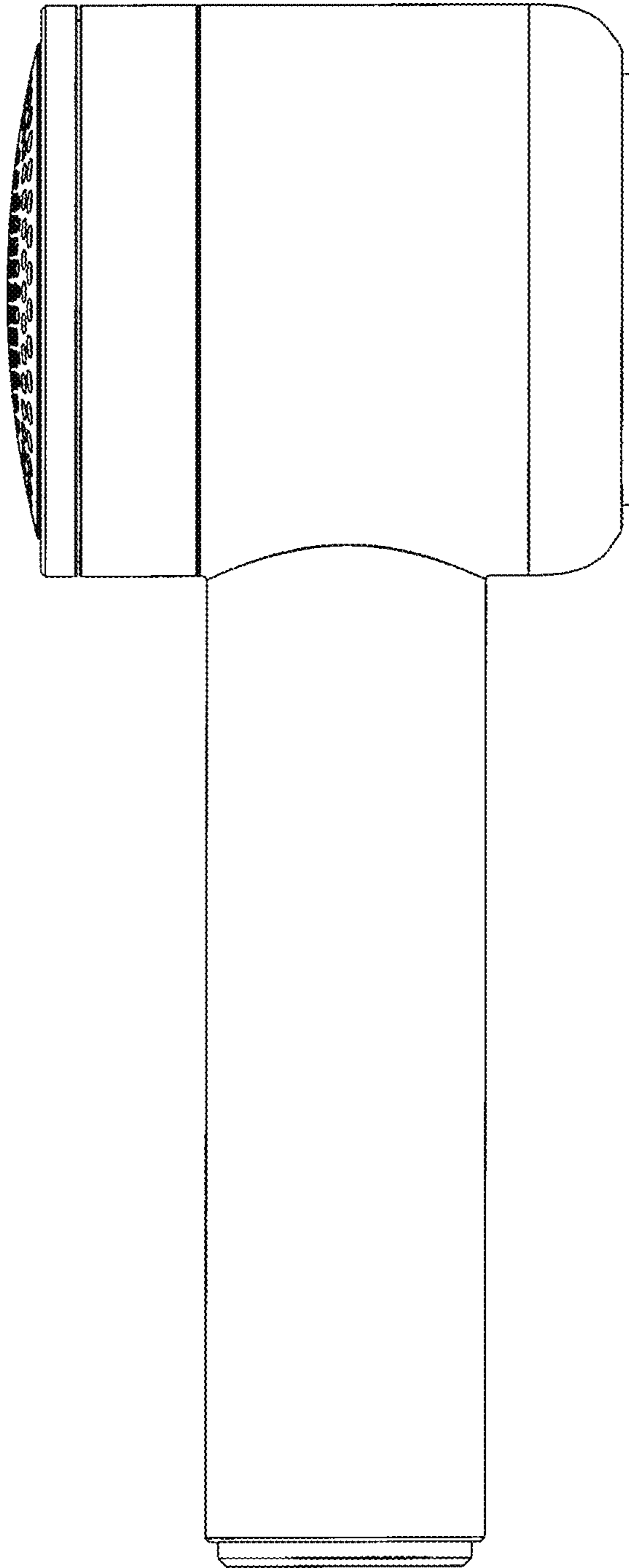


FIG. 4

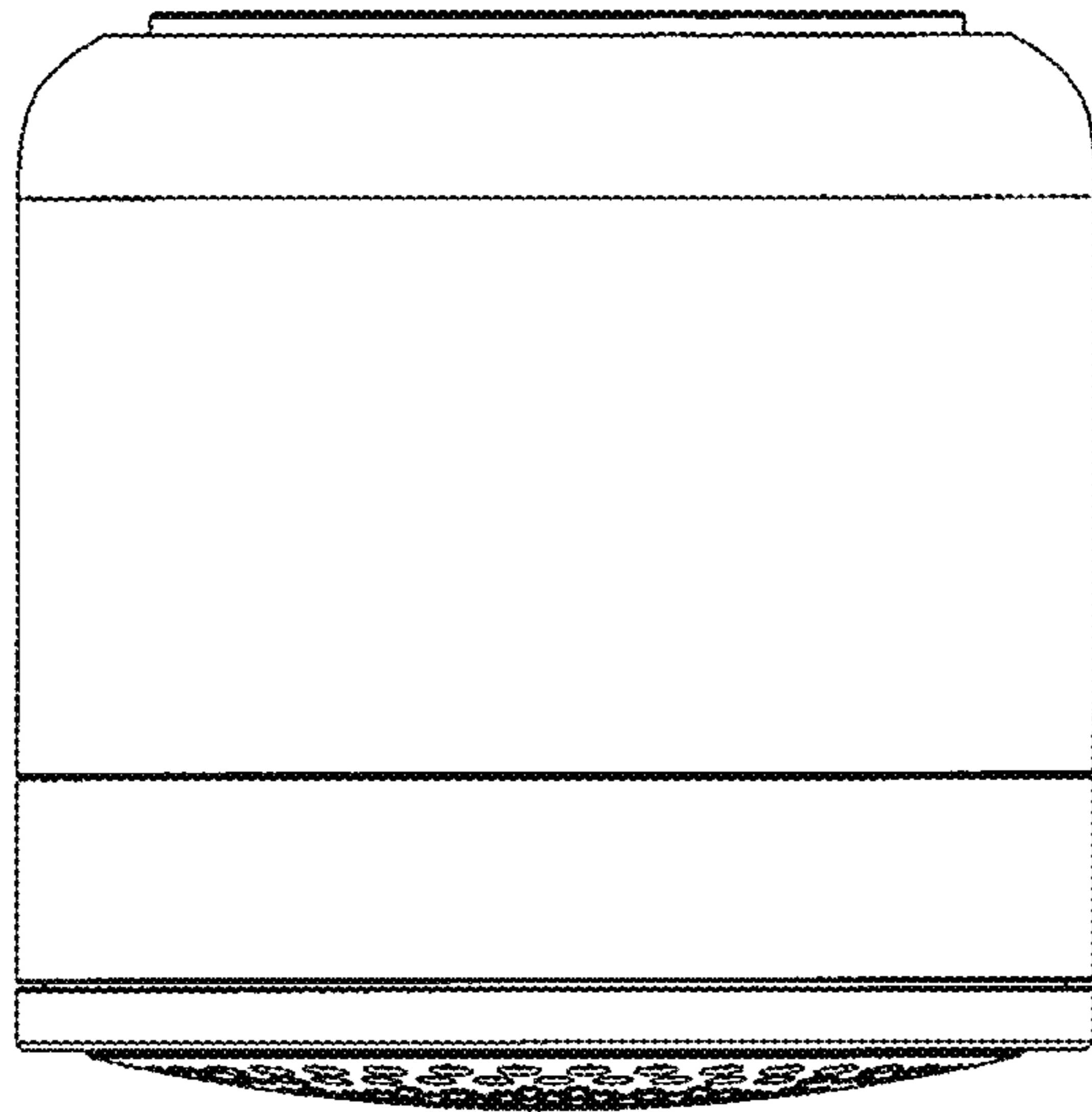


FIG. 5

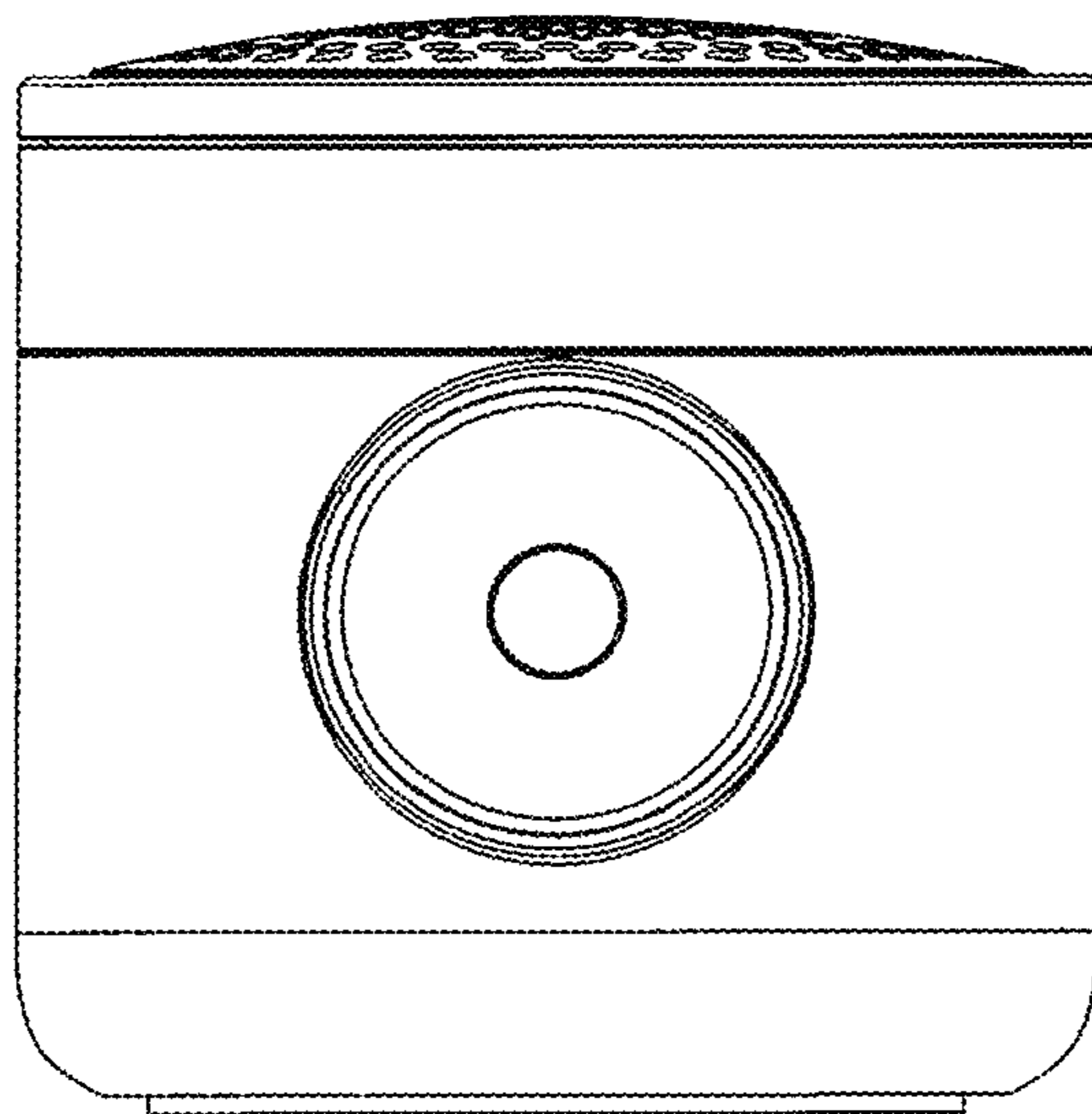


FIG. 6

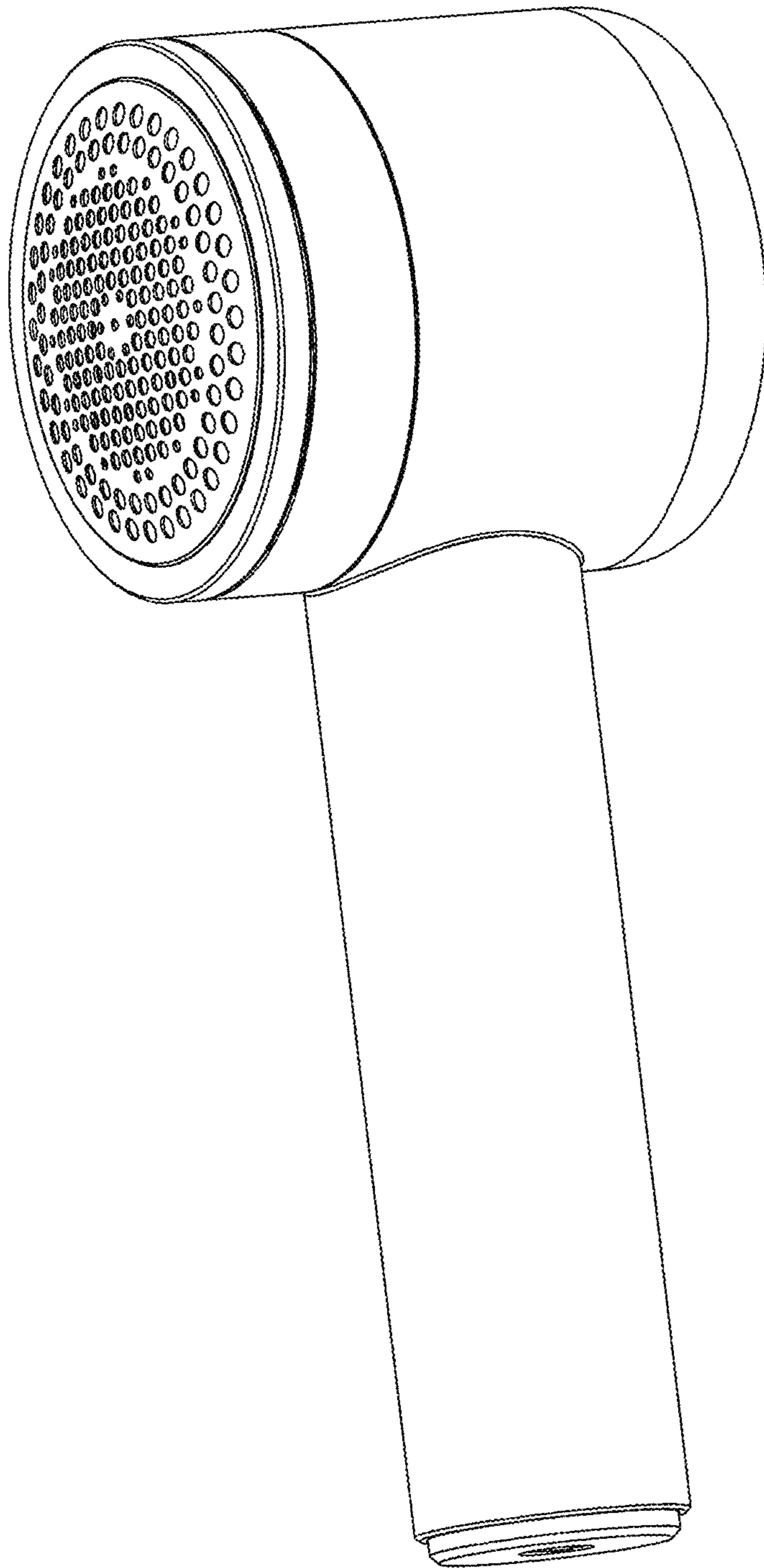


FIG. 7



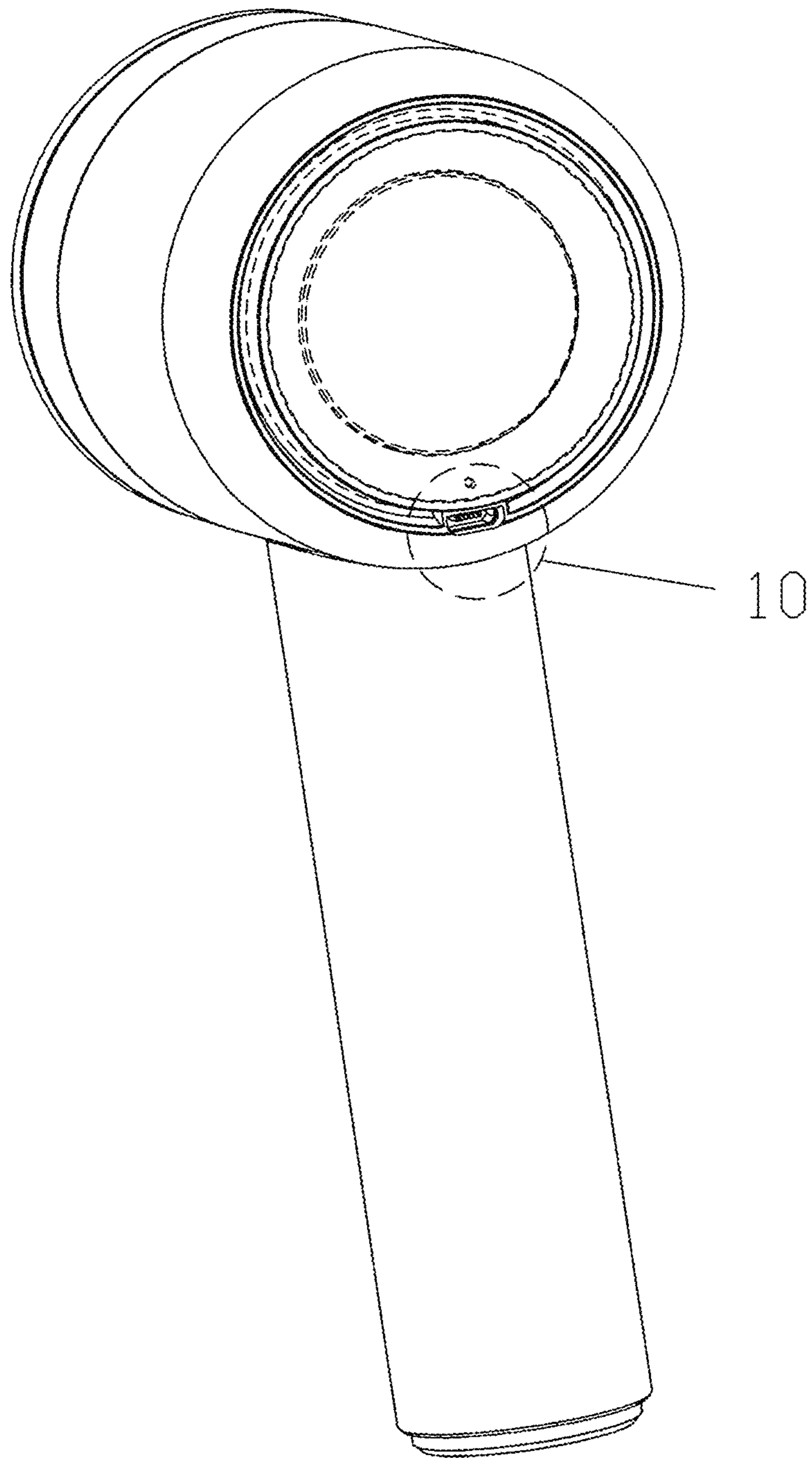


FIG. 8

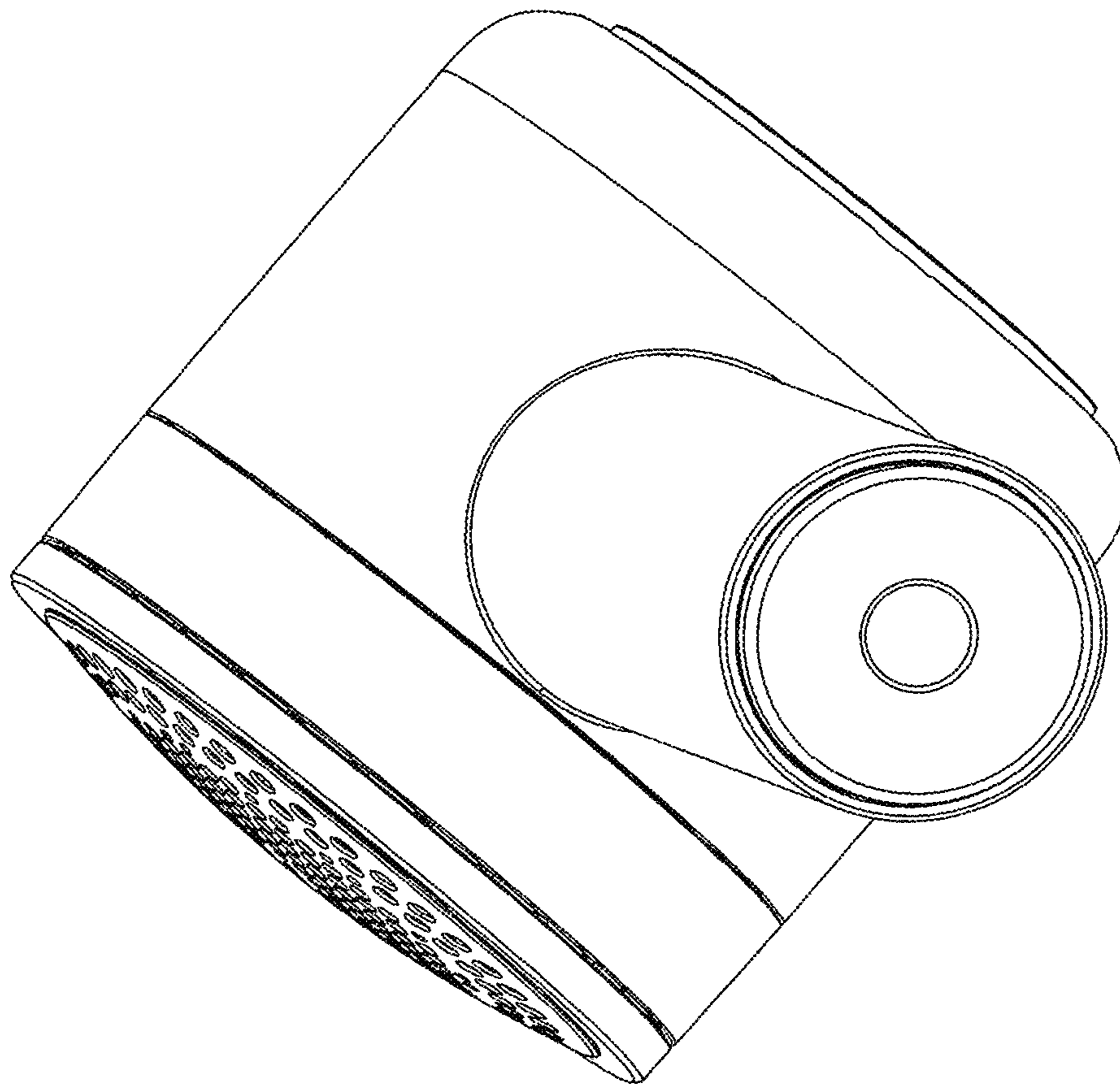


FIG. 9

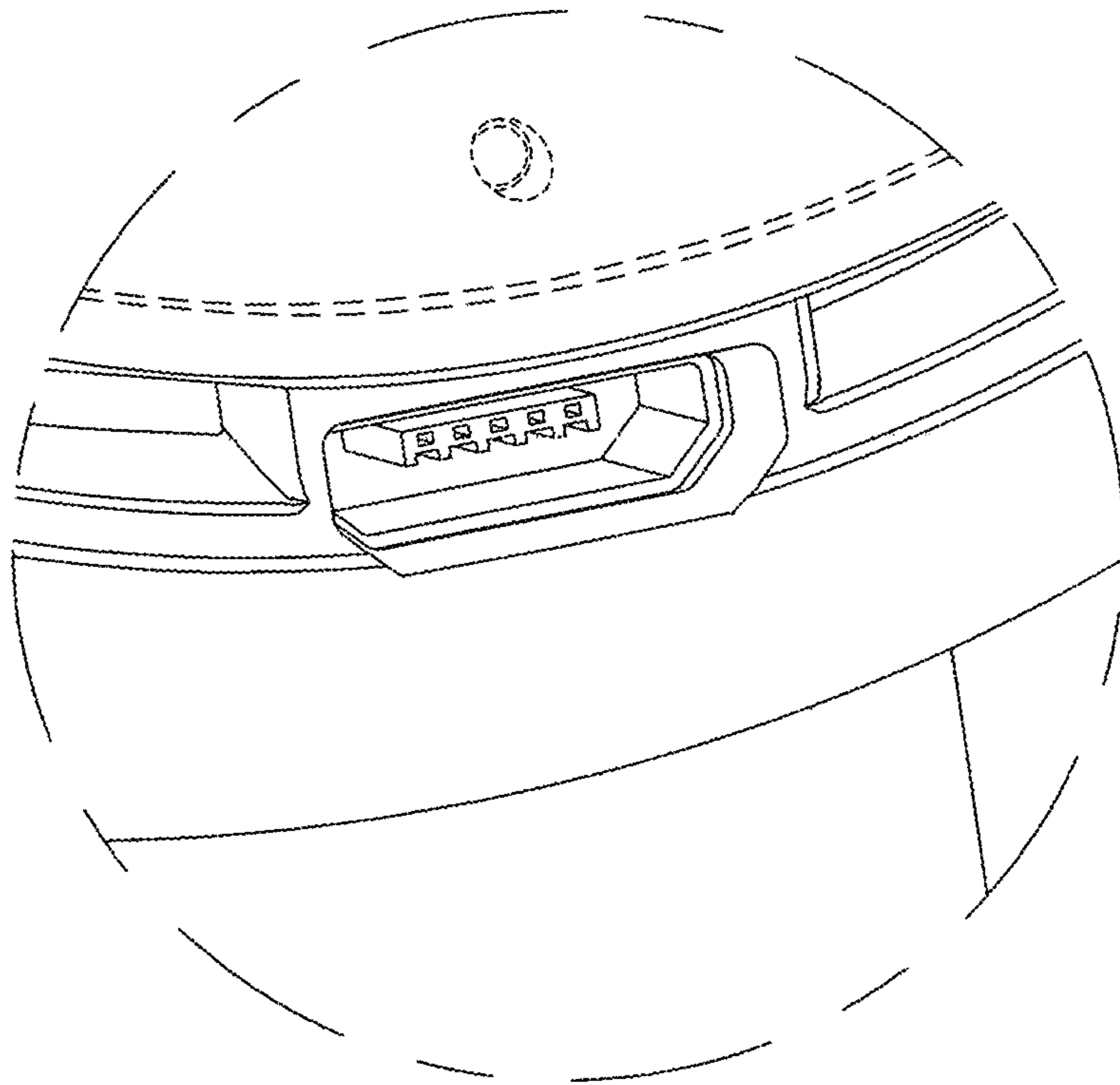


FIG. 10