



US00D917884S

(12) **United States Design Patent** (10) **Patent No.:** **US D917,884 S**
Seeger et al. (45) **Date of Patent:** **** May 4, 2021**

(54) **ANIMAL WASTE RECEPTACLE**
(71) Applicant: **SMS Creations, LLC**, Charleston, SC (US)
(72) Inventors: **Susan M. Seeger**, Charleston, SC (US); **Sandi McGee**, Mt. Pleasant, SC (US)
(73) Assignee: **SMS Creations, LLC**, Charleston, SC (US)
(**) Term: **15 Years**
(21) Appl. No.: **29/698,667**
(22) Filed: **Jul. 18, 2019**
(51) **LOC (13) Cl.** **03-01**
(52) **U.S. Cl.**
USPC **D3/303**; D30/161
(58) **Field of Classification Search**
USPC D3/203.1, 203.6, 202, 205, 215, 217, D3/226, 229, 230, 232, 233, 242–246, D3/249, 258, 273, 274, 276, 283–290, D3/294, 295, 299, 301, 303, 900–904; D7/602, 605, 607, 619.1, 709; D28/73, D28/76; D30/153, 161; 220/903–916; 294/1.3; D24/216–217; 4/258–259, 4/284–285, 476, 479, 484, 144.1, 144.2
CPC .. A45C 1/00; A45C 1/02; A45C 1/024; A45C 1/08; A45C 3/00; A45C 3/04; A45C 3/06; A45C 3/10; A45C 3/004; A45C 5/00; A45C 5/02; A45C 5/04; A45C 5/005; A45C 7/077; A45C 7/00; A45C 9/00; A45C 11/00; A45C 11/16; A45C 11/20; A45C 11/26; A45C 11/008; A45C 13/00; A45C 13/08; A45C 13/26; A45C 2003/002; A45C 2003/007; A45C 2003/008; A45C 2007/004; A45C 2011/007; A45C 2200/20; A45D 29/20; A45D 33/008; A45D 44/18;
(Continued)

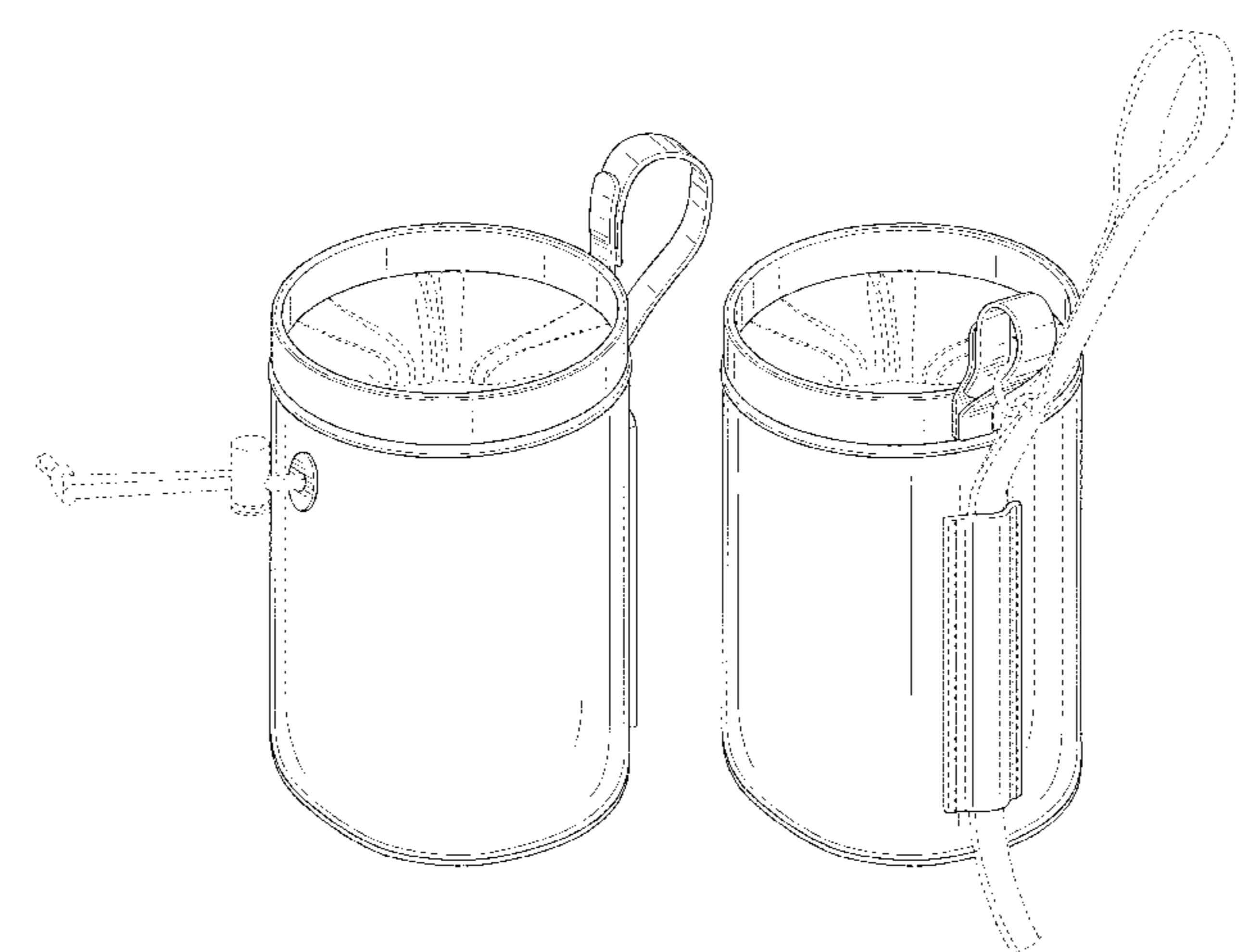
(56) **References Cited**
U.S. PATENT DOCUMENTS
4,802,602 A * 2/1989 Evans B65D 81/3886
220/739
D347,365 S * 5/1994 McKay D3/202
(Continued)
FOREIGN PATENT DOCUMENTS
CN 303846864 * 9/2016
GB 6016750 * 8/2017
JP D1136642 * 3/2002

OTHER PUBLICATIONS
Topo Designs Chalk Bag—Red, first available Jun. 28, 2018, amazon.com [online], [site visited Dec. 29, 2020], Available at internet URL: https://www.amazon.com/Topo-Designs-Chalk-Bag-Red/dp/B07JBK39PR/ref=sr_1_1?dchild=1&keywords=chalk+bag+topo+designs&qid=1608730621&sr=8-1 (Year: 2018).*
(Continued)

Primary Examiner — Jeffrey D Asch
Assistant Examiner — Caitlin Ann Laverty
(74) *Attorney, Agent, or Firm* — Fox Rothschild LLP

(57) **CLAIM**
The ornamental design for an animal waste receptacle, as shown and described.

DESCRIPTION
FIGS. 1 through 3 are perspective views of an animal waste receptacle showing our new design; FIG. 4 is a front elevational view thereof; FIG. 5 is a rear elevational view thereof; FIG. 6 is a left side elevational view thereof; FIG. 7 is a right side elevational view thereof; FIG. 8 is a top plan view thereof; and, FIG. 9 is a bottom plan view thereof.
(Continued)



The broken lines, including stitching, shown in the drawings are for environmental purposes only and form no part of the claimed design.

1 Claim, 8 Drawing Sheets

(58) Field of Classification Search

CPC A45D 2200/25; A45F 3/00; A45F 3/02; A45F 3/04; A45F 3/16; A45F 4/02; B65D 23/08; B56D 81/38; B56D 81/3836; B56D 81/2023; A01K 23/005; A01K 25/005; A01K 27/001; A01K 27/003; A01K 27/006; A01K 27/008; E01H 1/1206

See application file for complete search history.

(56) References Cited

U.S. PATENT DOCUMENTS

D404,562 S * 1/1999 Brown B65D 81/3886
D3/215
D414,930 S * 10/1999 Rausch D3/229
D415,390 S * 10/1999 Winnington-Ingram D3/202
6,019,067 A * 2/2000 Carey A01K 27/006
119/795
D476,477 S * 7/2003 DeChant D3/205
D533,751 S * 12/2006 Exler D7/619.1
D538,040 S * 3/2007 Vazquez D3/303
D576,433 S * 9/2008 Che E01H 1/1206
D30/153
D624,714 S * 9/2010 Brochu D30/162
D632,930 S * 2/2011 Chretien D7/620
D665,207 S * 8/2012 Pendleton A01K 1/01
D6/519

D672,552 S * 12/2012 Gavrieli B65D 33/25
D3/244
D685,957 S * 7/2013 Schiffman A01K 27/006
D30/153
D815,781 S * 4/2018 Harrington A45F 3/005
D30/161
10,596,443 B1 * 3/2020 Pomroy B65D 33/25
2008/0101731 A1 * 5/2008 Carlson E01H 1/1206
383/41
2008/0179902 A1 * 7/2008 Phillips E01H 1/1206
294/1.3
2009/0095225 A1 * 4/2009 O'Connell E01H 1/1206
119/161
2012/0187138 A1 * 7/2012 Vasquez A45C 3/001
220/739
2012/0234251 A1 * 9/2012 Harlan A01K 1/01
119/161
2014/0209494 A1 * 7/2014 Shieh A45F 3/005
206/315.1
2017/0233170 A1 * 8/2017 Badurina B65F 1/1623
242/557
2020/0002156 A1 * 1/2020 Owens B67D 1/06
2020/0332485 A1 * 10/2020 Garland E01H 1/1206

OTHER PUBLICATIONS

Athletrek Rock Climbing Chalk Bag . . . , first available Jul. 1, 2019, amazon.com [online], [site visited Dec. 29, 2020], Internet URL exceeds character limit of PTO-892; see written Office Action (Year: 2019).*

AMZNOVA Dog Treat Bag . . . , first available Aug. 22, 2019, amazon.com [online], [site visited Dec. 29, 2020], Available at internet URL: <https://www.amazon.com/dp/B07CMG3DPK?tag=petlife-20&linkCode=ogi&th=1&psc=1> (Year: 2019).*

<https://www.petzl.com/US/en/Sport/Packs-and-accessories/BANDI>.

* cited by examiner

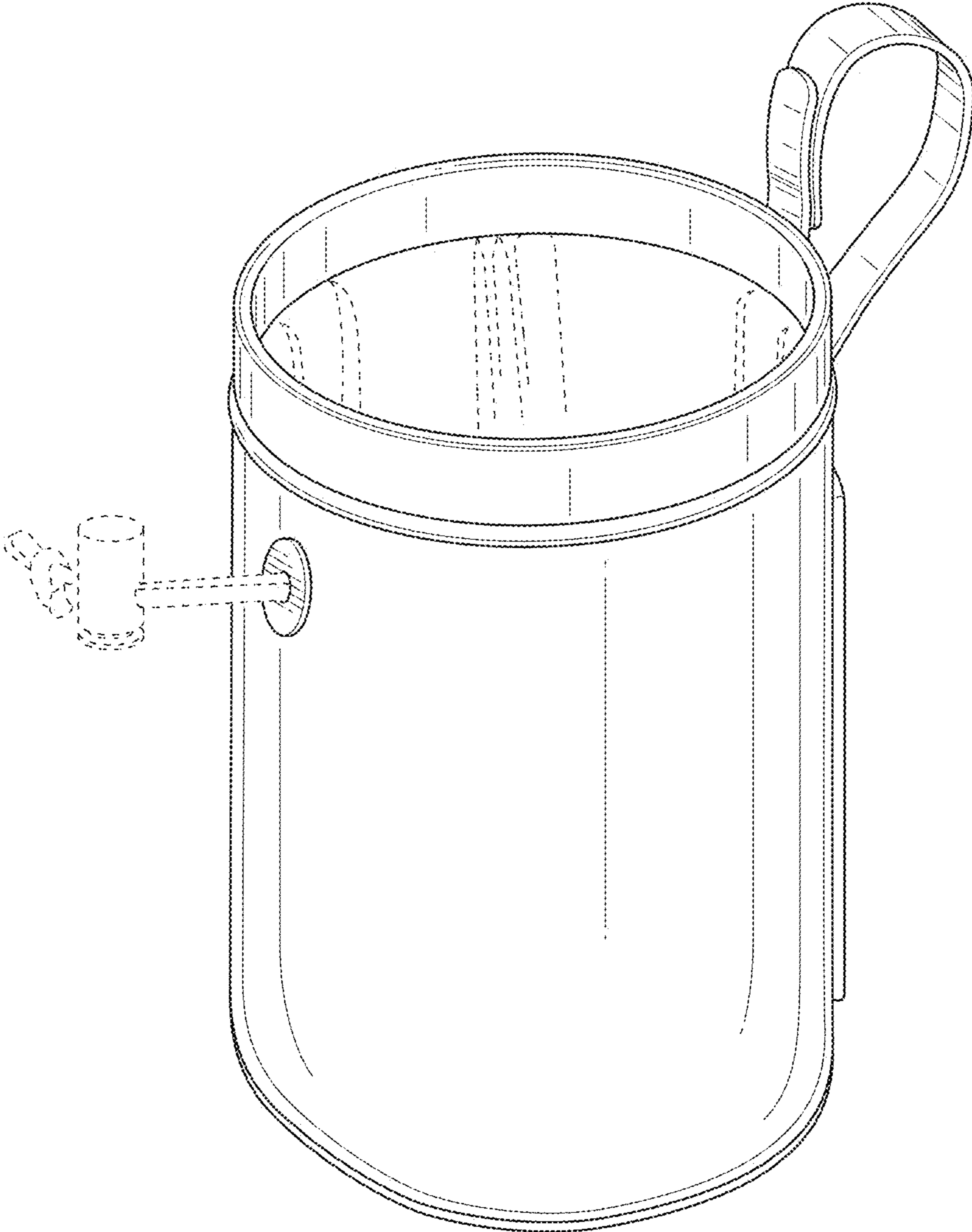


FIG. 1

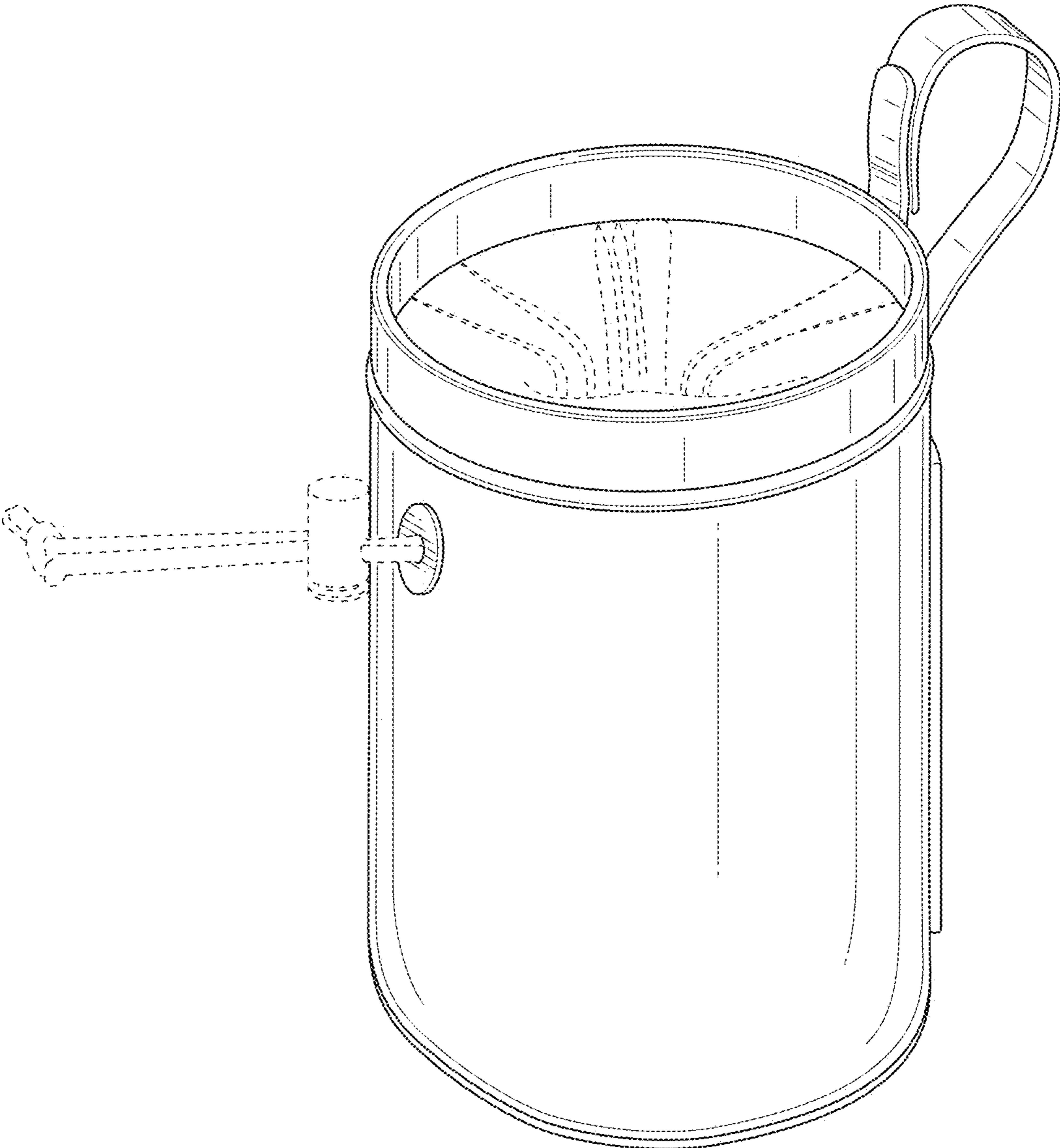


FIG. 2

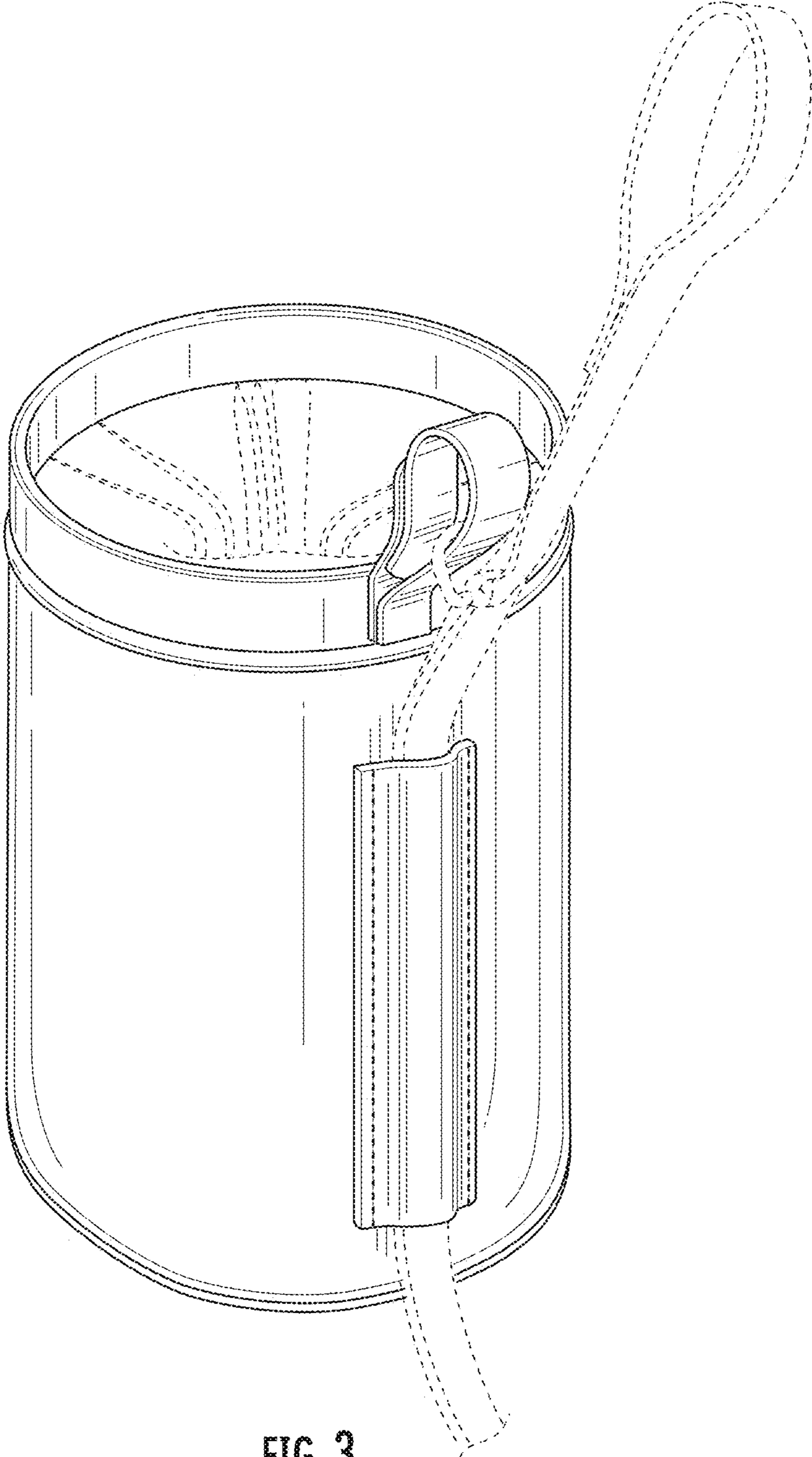


FIG. 3

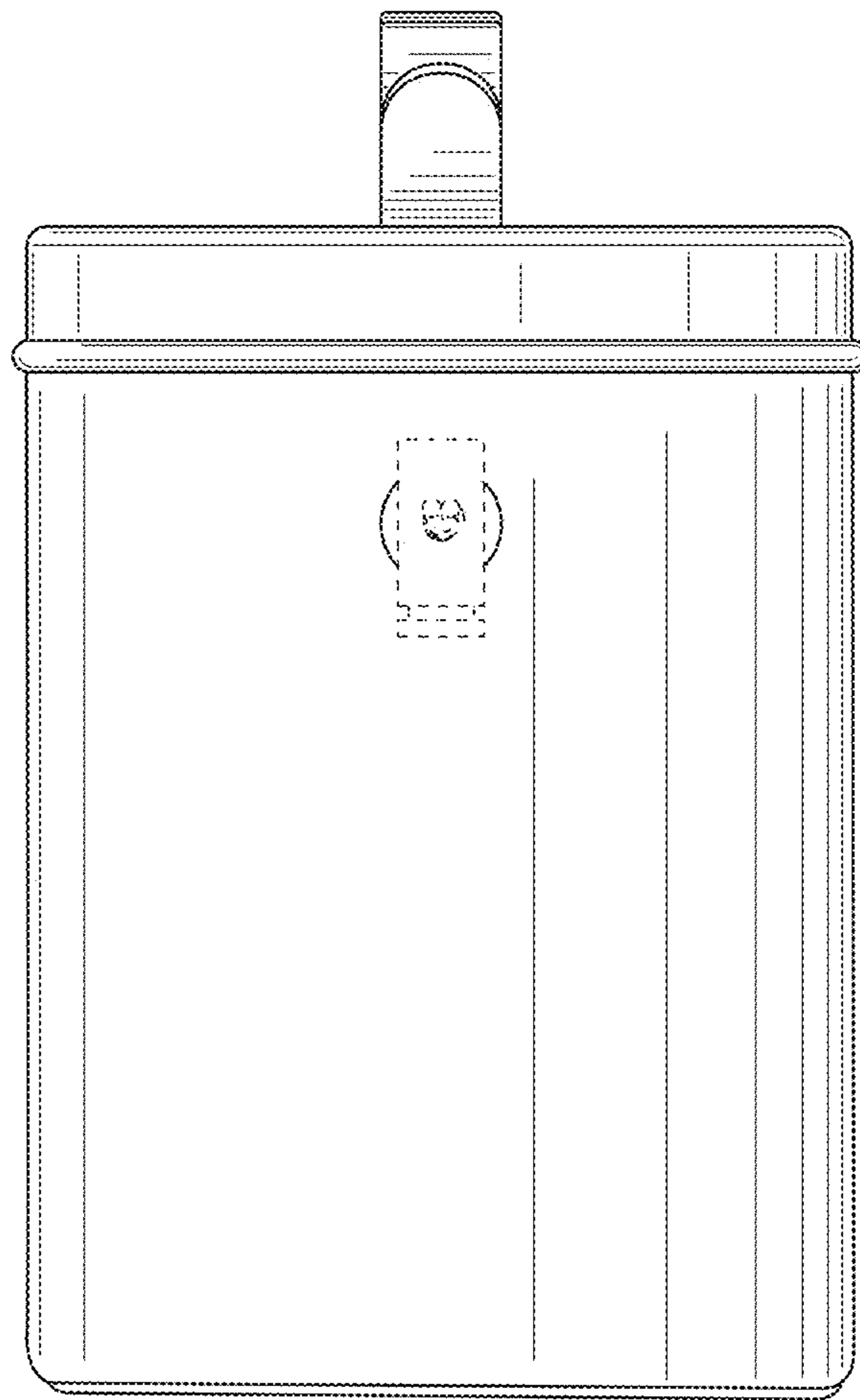


FIG. 4

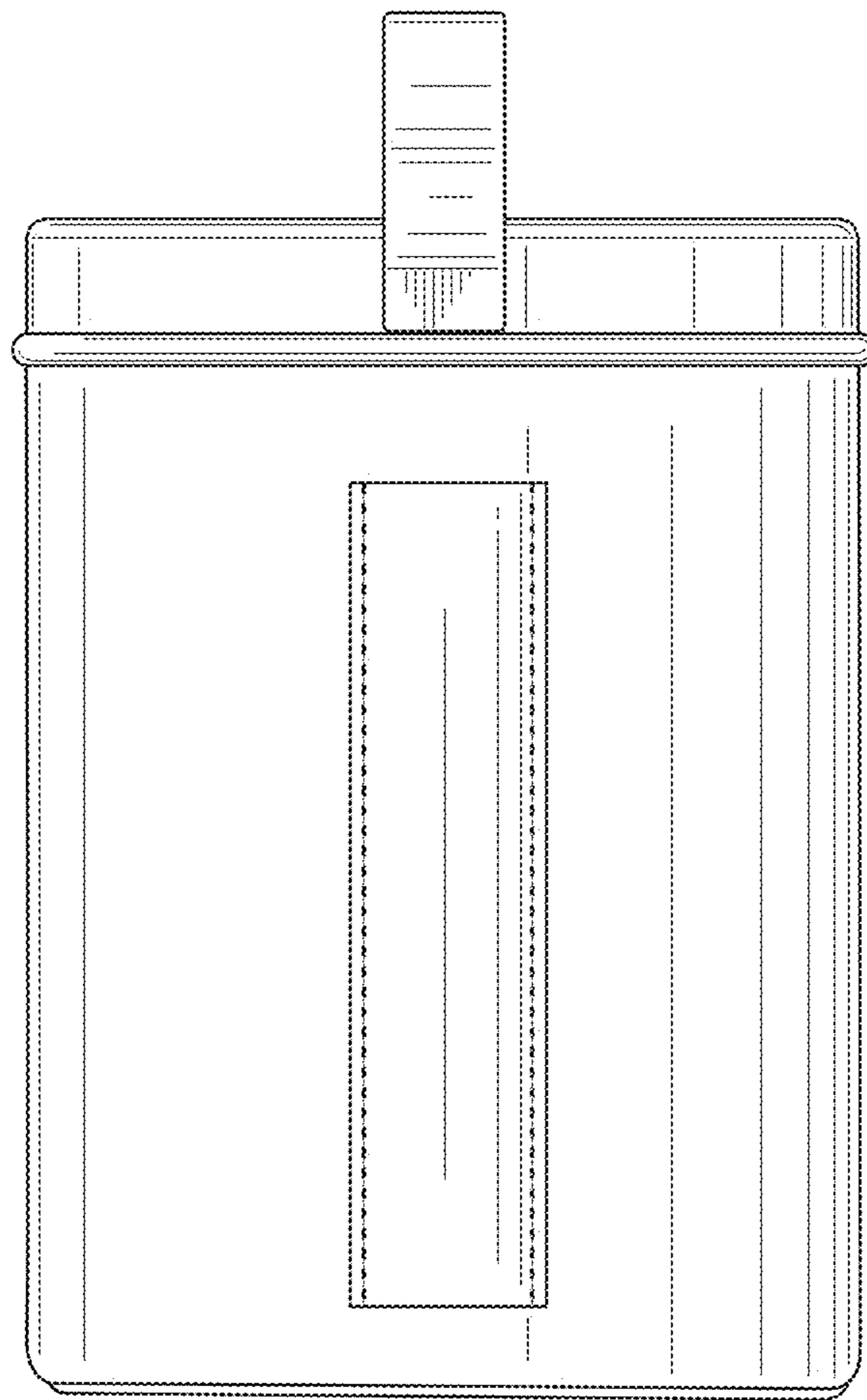


FIG. 5

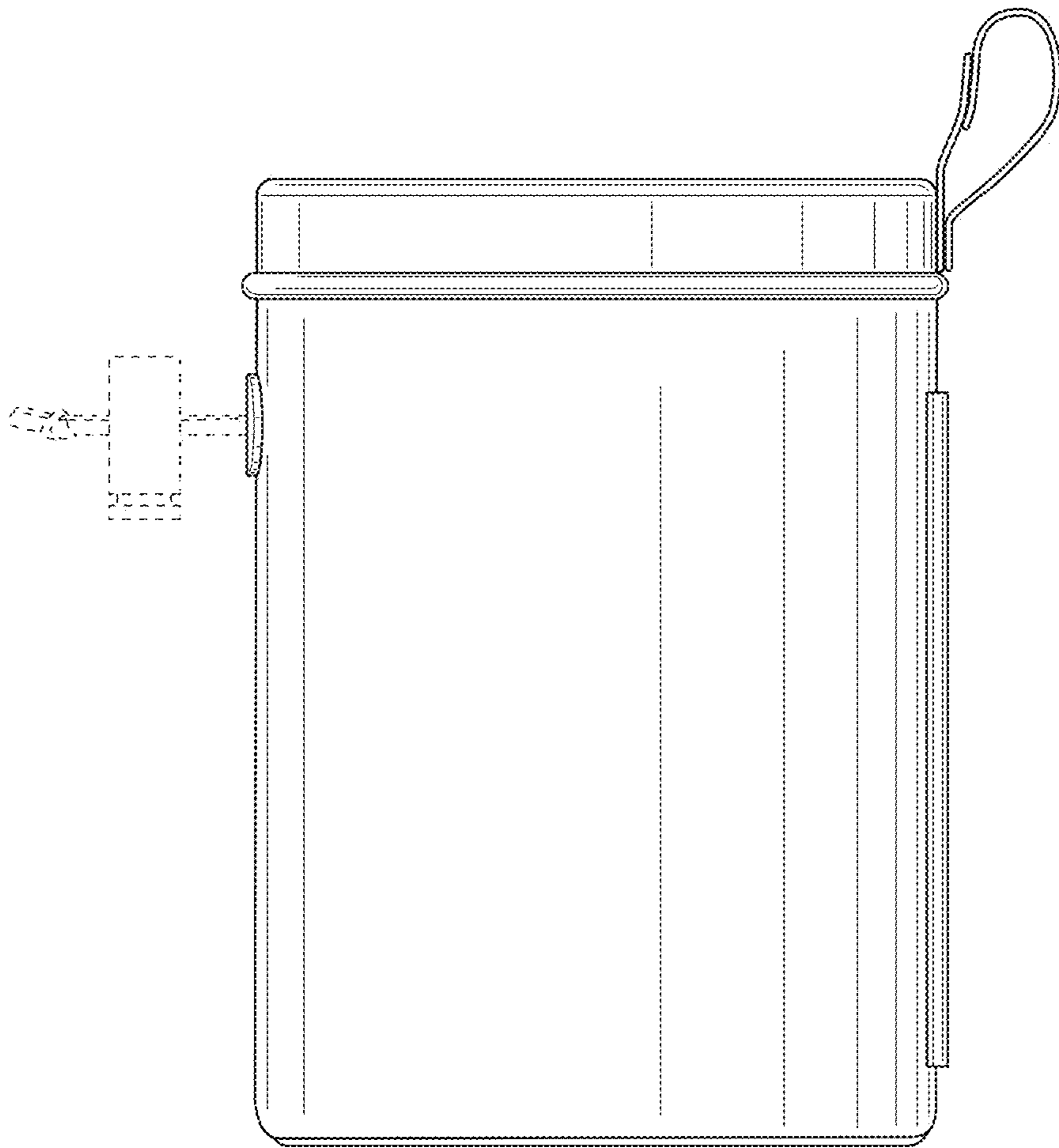


FIG. 6

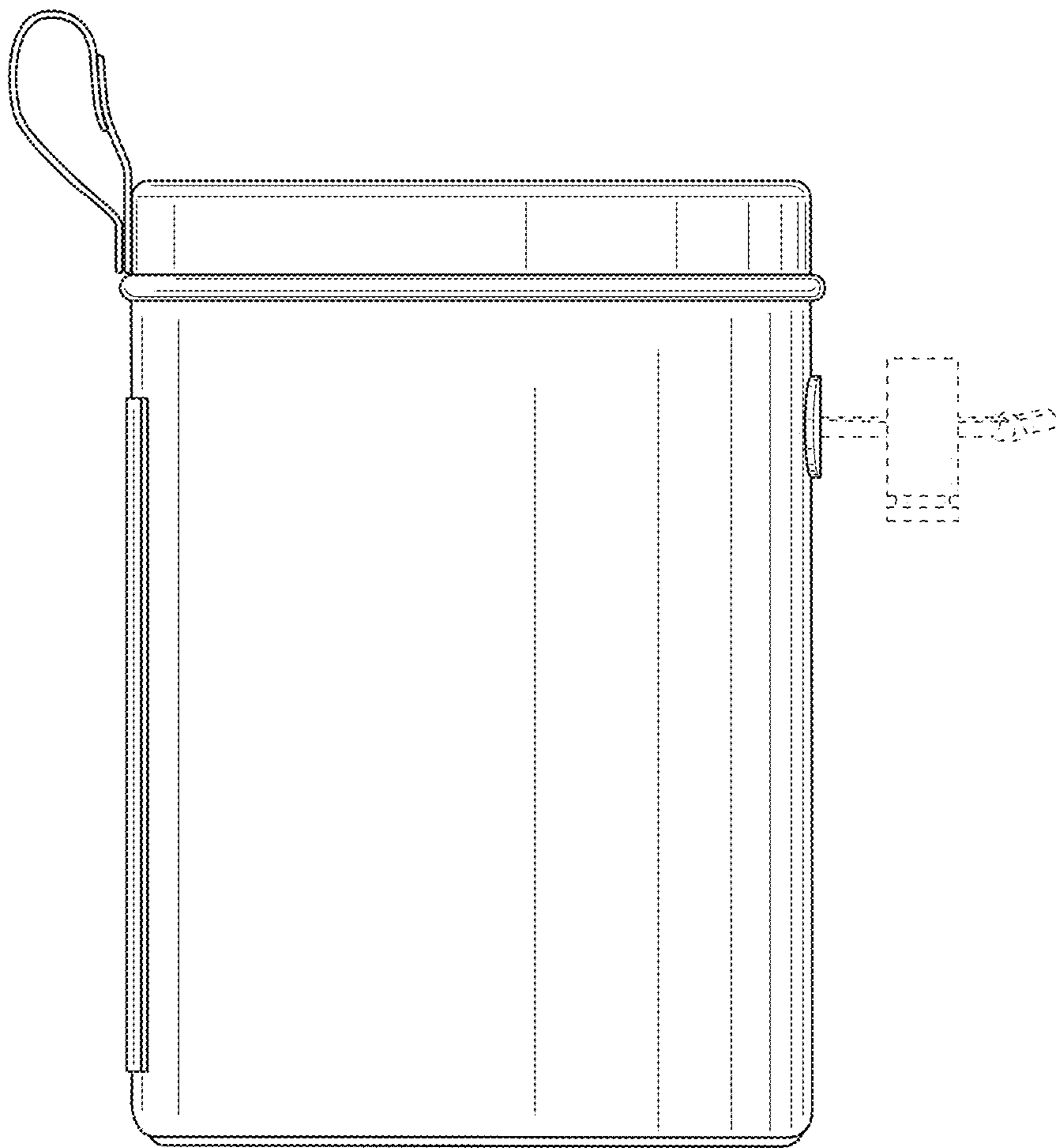


FIG. 7

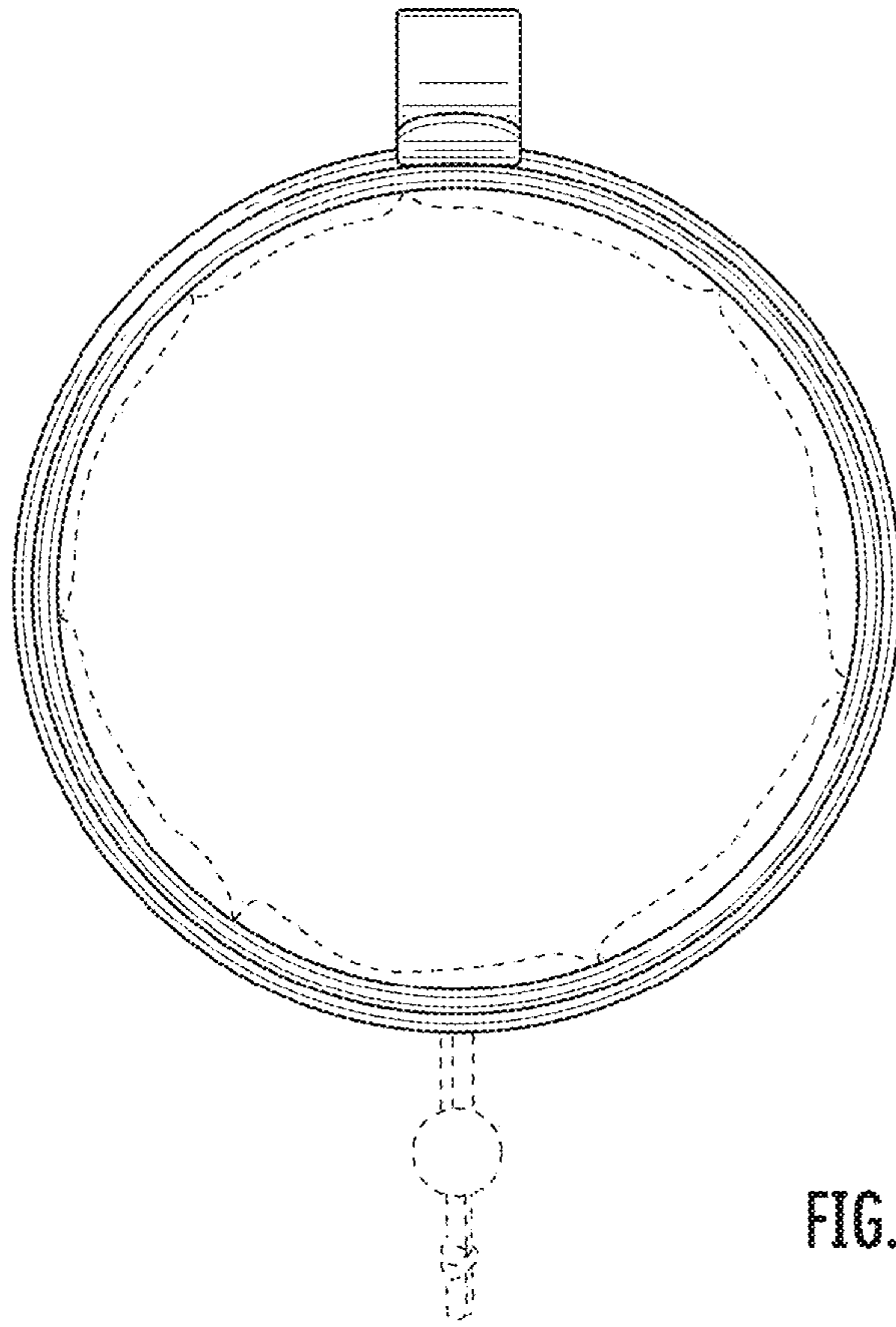


FIG. 8

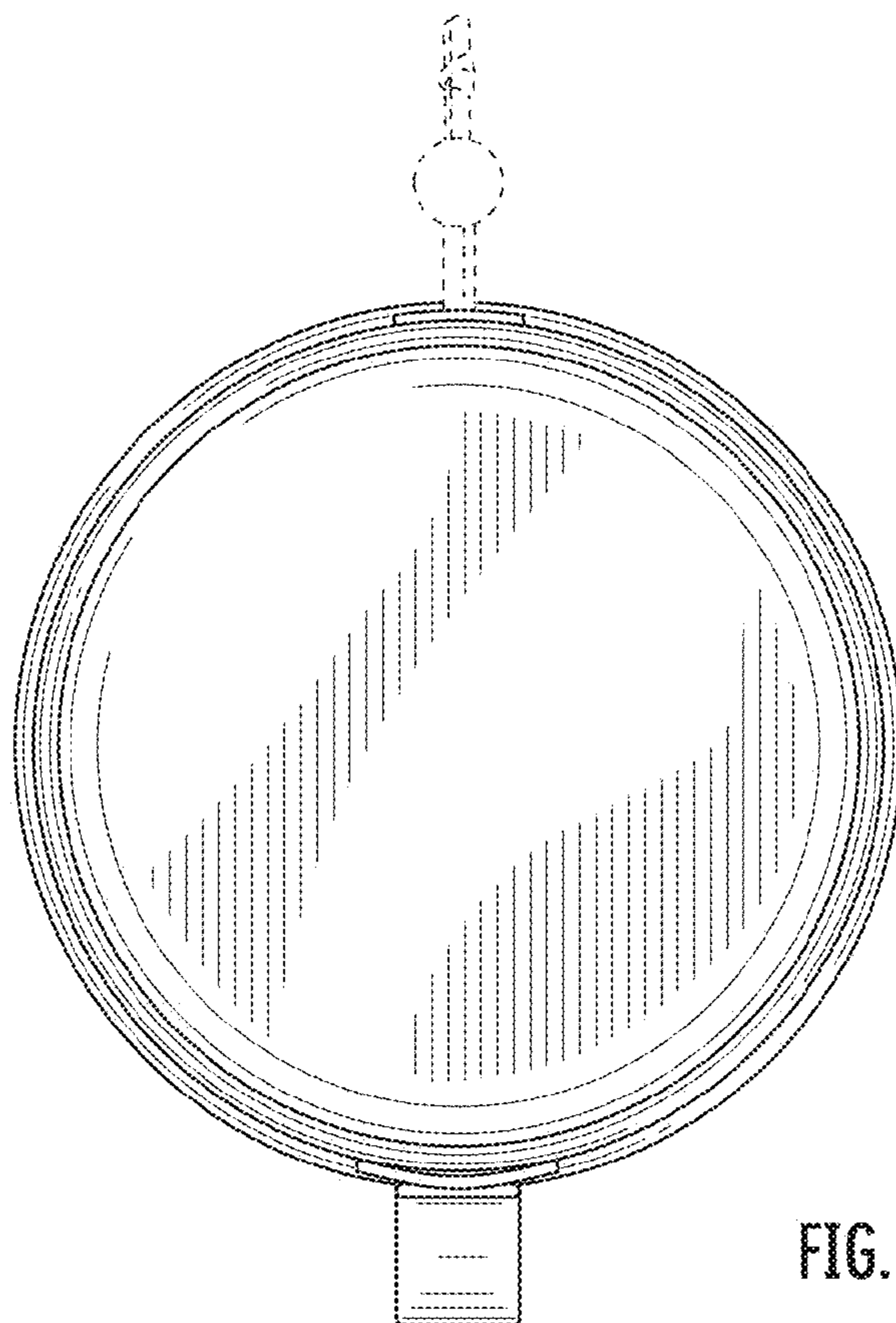


FIG. 9

UNITED STATES PATENT AND TRADEMARK OFFICE
CERTIFICATE OF CORRECTION

PATENT NO. : D917,884 S
APPLICATION NO. : 29/698667
DATED : May 4, 2021
INVENTOR(S) : Susan M. Seeger and Sandi McGee

Page 1 of 1

It is certified that error appears in the above-identified patent and that said Letters Patent is hereby corrected as shown below:

On the Title Page

Item (72) Inventors, please replace:
Susan M. Seeger, Charleston, SC (US)
Sandi McGee, Mt. Pleasant, SC (US)

With:
Susan M. Seeger, Charleston, SC (US)

Signed and Sealed this
Twenty-fourth Day of August, 2021



Drew Hirshfeld
*Performing the Functions and Duties of the
Under Secretary of Commerce for Intellectual Property and
Director of the United States Patent and Trademark Office*