



US00D917883S

(12) **United States Design Patent** (10) **Patent No.:** **US D917,883 S**
Smith (45) **Date of Patent:** **** May 4, 2021**

(54) **TRAVEL BAG**

(71) Applicant: **Callaway Golf Company**, Carlsbad, CA (US)

(72) Inventor: **Luke Smith**, Encinitas, CA (US)

(73) Assignee: **Ogio International, Inc.**, California, CA (US)

(**) Term: **15 Years**

(21) Appl. No.: **29/668,757**

(22) Filed: **Nov. 1, 2018**

(51) **LOC (13) Cl.** **03-01**

(52) **U.S. Cl.**
USPC **D3/301**

(58) **Field of Classification Search**
USPC D3/263, 265, 289, 301
CPC B65D 85/38; B65D 2575/329
See application file for complete search history.

(56) **References Cited**

U.S. PATENT DOCUMENTS

D479,041 S * 9/2003 Fonfeder D3/206
D632,079 S * 2/2011 Spencer D3/301

D645,251 S * 9/2011 Lee D3/301
D662,713 S * 7/2012 Marshall D3/315
D665,170 S * 8/2012 Lipfert D3/301
D707,963 S * 7/2014 Szewczyk D3/232
D713,642 S * 9/2014 Krauss D3/301
D748,915 S * 2/2016 Reyes D3/301

* cited by examiner

Primary Examiner — Holly E Thurman
(74) *Attorney, Agent, or Firm* — Rebecca Hanovice;
Michael Catania; Sonia Lari

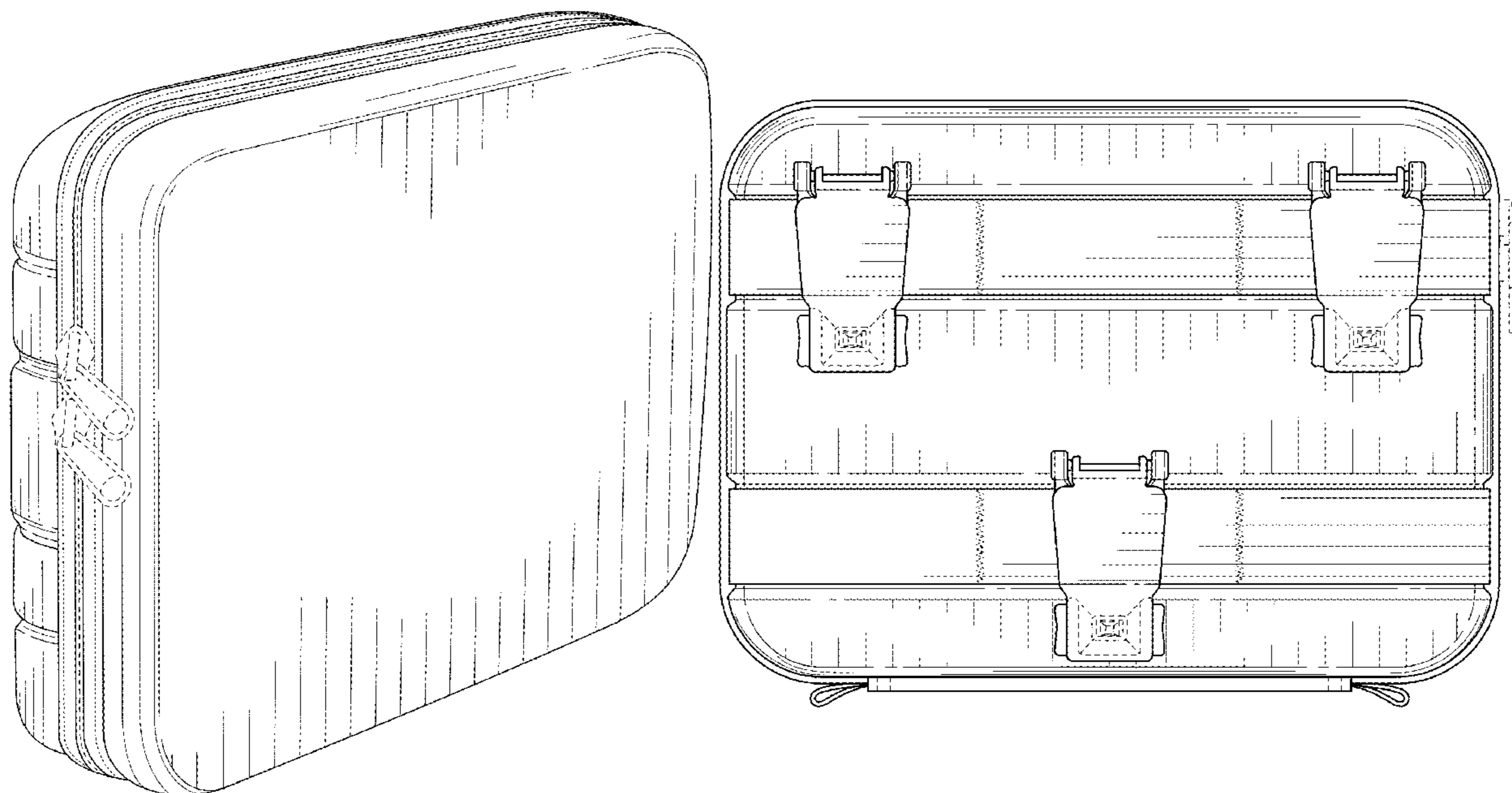
(57) **CLAIM**

The ornamental design for a travel bag, as shown and described.

DESCRIPTION

FIG. 1 is a front perspective view of a first embodiment of the travel bag claimed herein;
FIG. 2 is a front plan view thereof;
FIG. 3 is a back plan view thereof;
FIG. 4 is a left side plan view thereof;
FIG. 5 is a right side plan view thereof;
FIG. 6 is a top plan view thereof; and,
FIG. 7 is a bottom plan view thereof.
The broken line showing of portions of the travel bag is included for the purpose of illustrating unclaimed subject matter and forms no part of the claimed design.

1 Claim, 4 Drawing Sheets



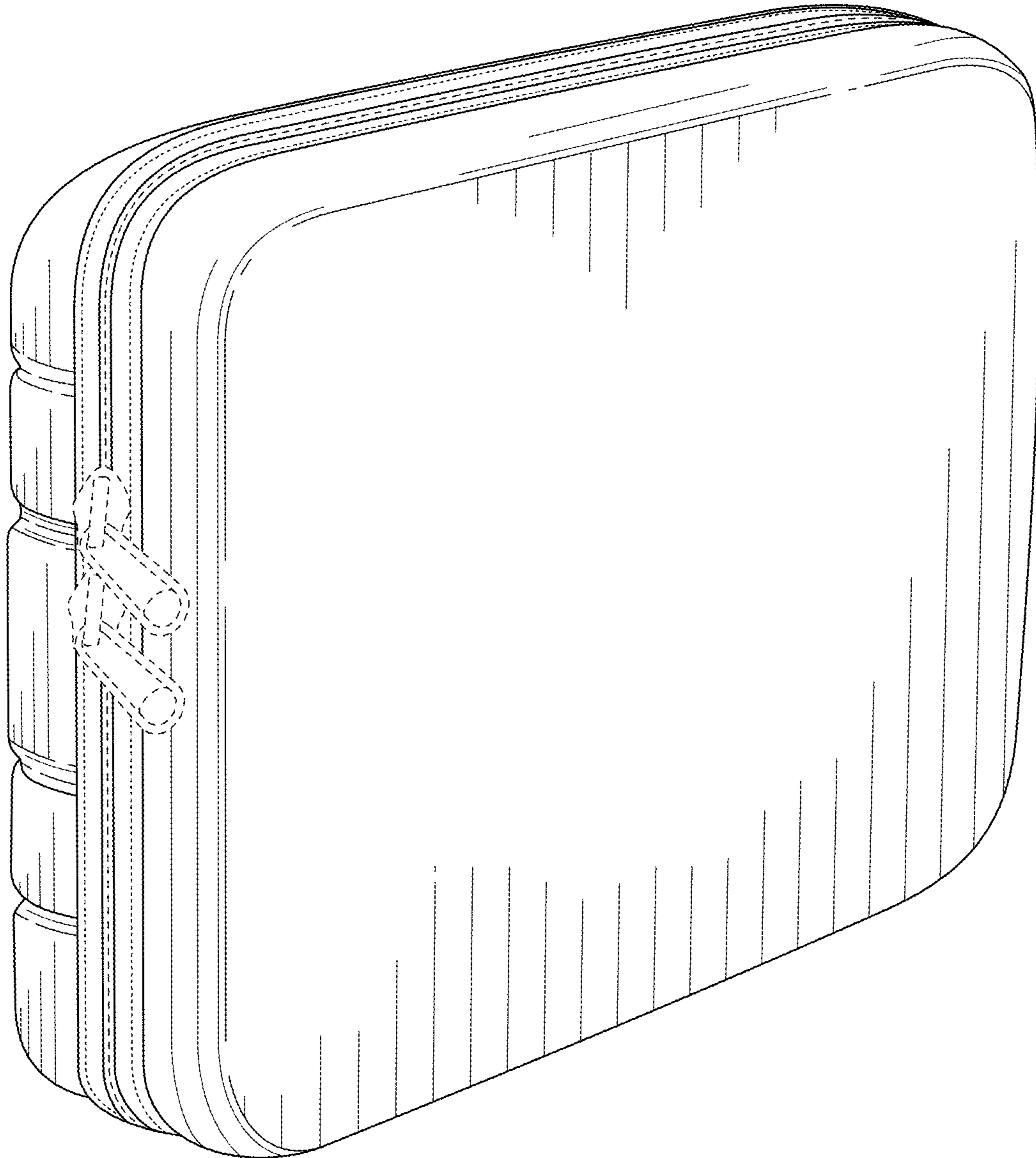


FIG. 1

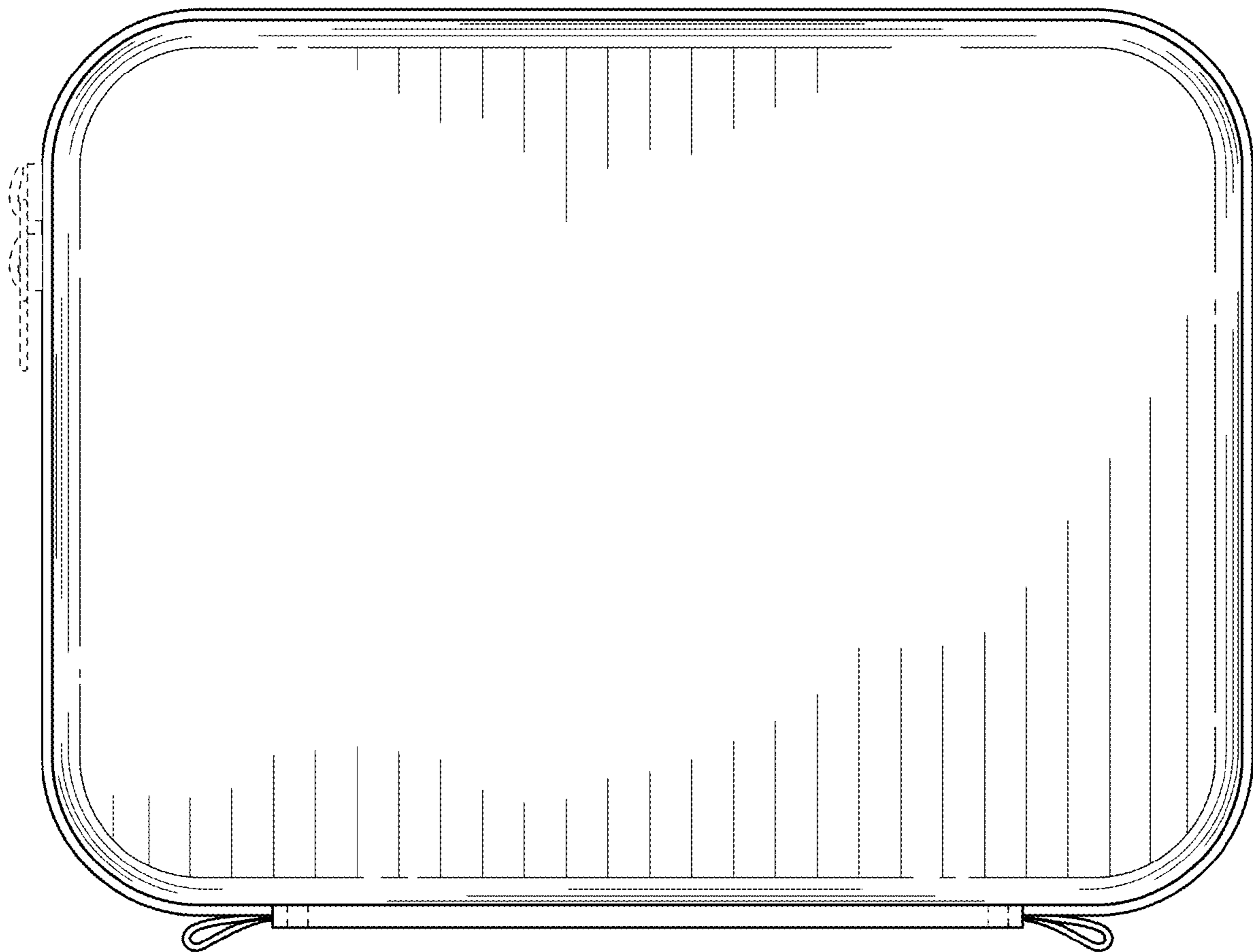


FIG. 2

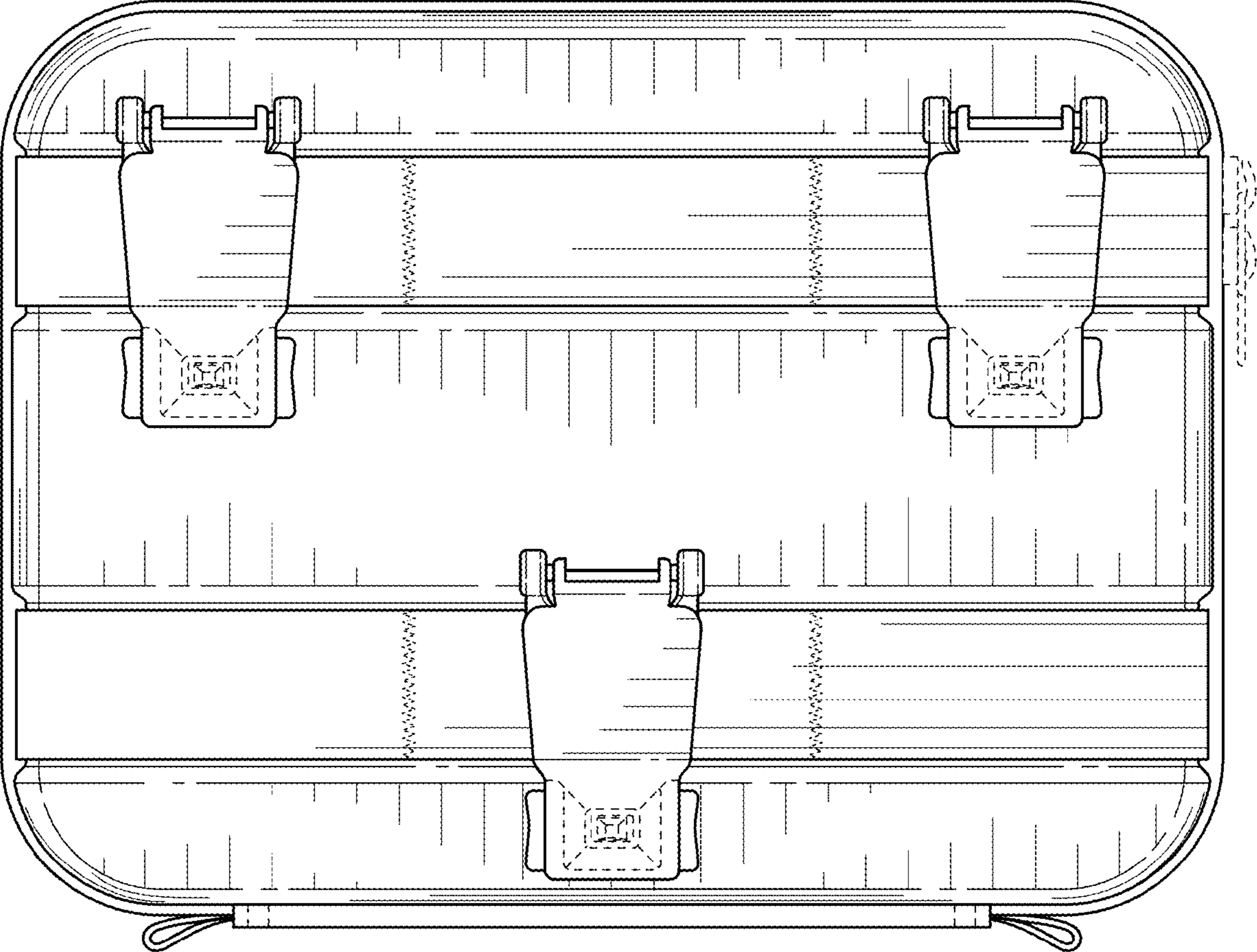


FIG. 3

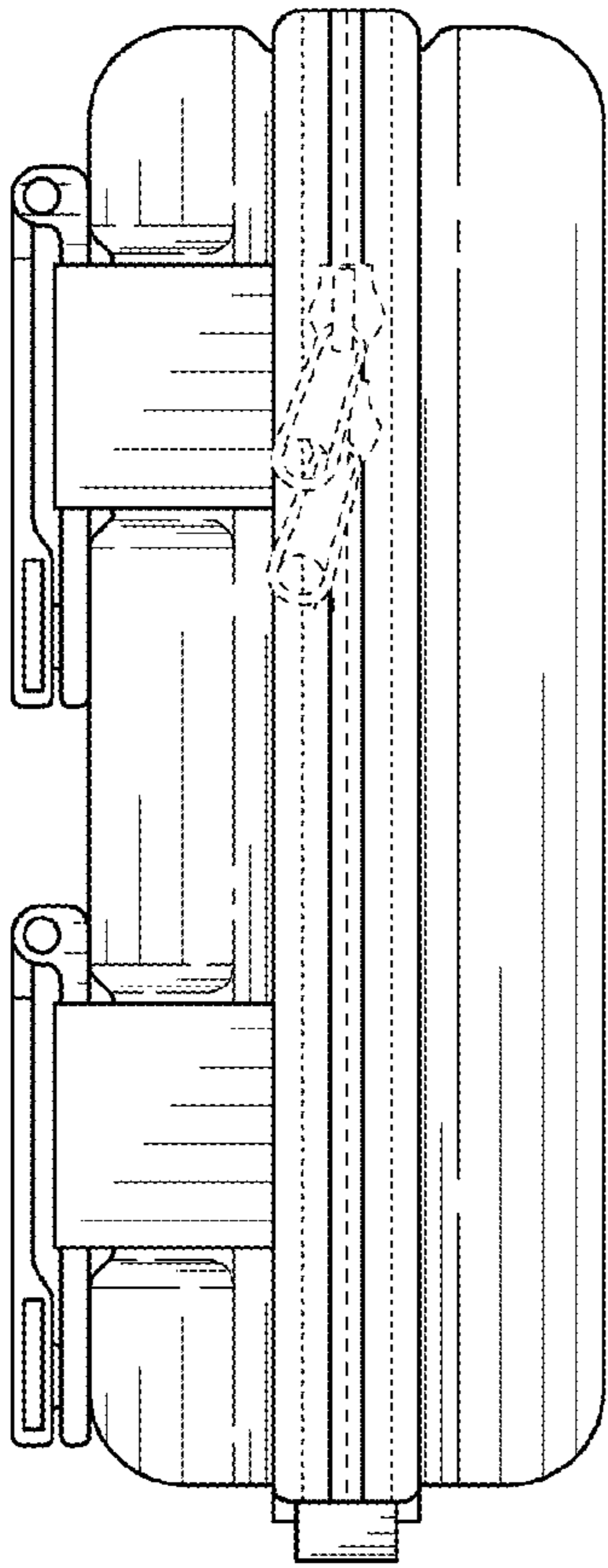


FIG. 4

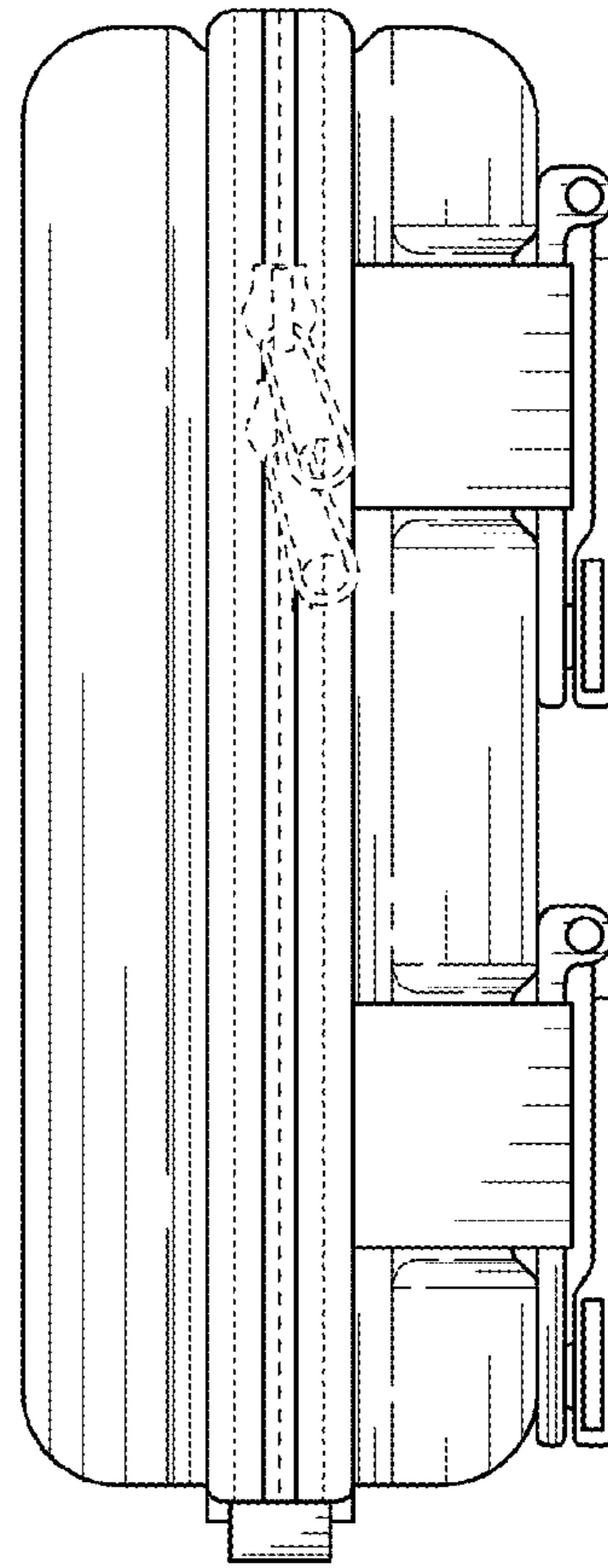


FIG. 5

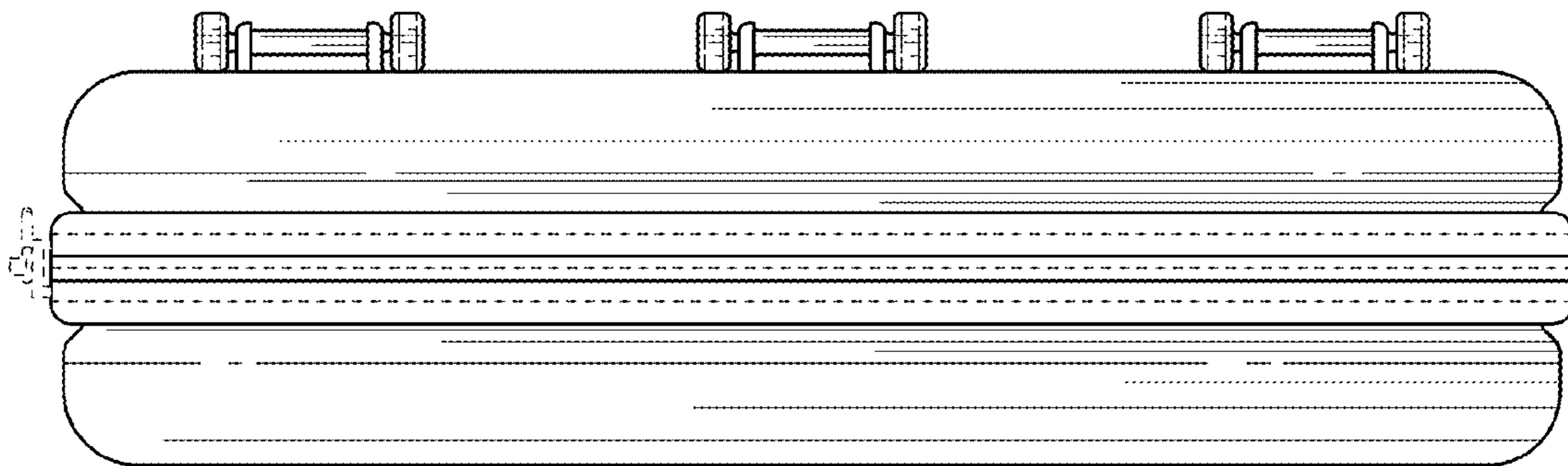


FIG. 6

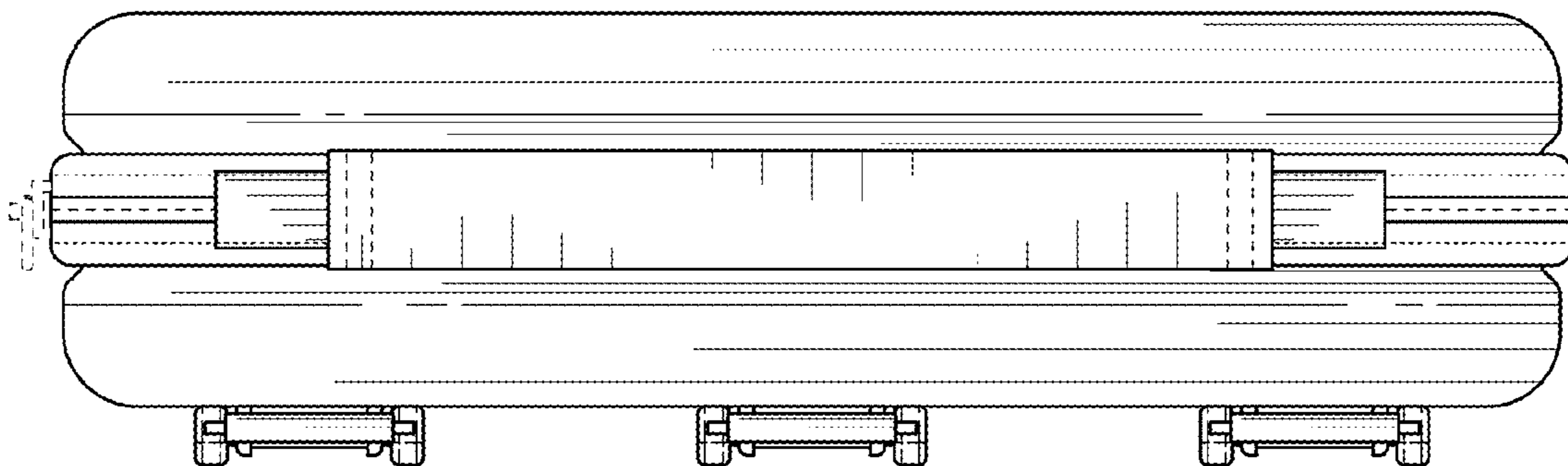


FIG. 7