



US00D917882S

(12) **United States Design Patent** (10) **Patent No.:** **US D917,882 S**
Nguyen (45) **Date of Patent:** **** May 4, 2021**

(54) **CASE**

(71) Applicant: **Camtu Nguyen**, Redondo Beach, CA (US)

(72) Inventor: **Camtu Nguyen**, Redondo Beach, CA (US)

(**) Term: **15 Years**

(21) Appl. No.: **29/718,352**

(22) Filed: **Dec. 23, 2019**

(51) **LOC (13) Cl.** **03-01**

(52) **U.S. Cl.**
USPC **D3/294; D3/295; D3/901**

(58) **Field of Classification Search**
USPC D3/201, 203.1, 203.3, 203.6, 205, 218, D3/272-273, 294-295, 301, 319, 901
CPC ... A45C 11/16; A47F 7/03; A47F 7/02; A47G 23/06; A61B 2019/5208
See application file for complete search history.

D663,520 S 7/2012 Antler
D680,731 S 4/2013 Johnson, Jr.
D681,939 S 5/2013 Johnson, Jr.
D693,123 S * 11/2013 Qi D3/295
D697,672 S 1/2014 Pheng
D712,153 S 9/2014 Lee
D733,430 S * 7/2015 Qi D3/295
D746,582 S 1/2016 Saiz De Soto
D775,463 S * 1/2017 Shieh D3/215
D816,323 S 5/2018 Zhuang
D823,595 S 7/2018 Yoo
D891,085 S 7/2020 Martin

(56) **References Cited**
U.S. PATENT DOCUMENTS

D153,069 S * 3/1949 Linneman D3/295
4,214,657 A * 7/1980 Winston A47K 1/09
206/209.1

D265,867 S 8/1982 Margulis
D267,836 S * 2/1983 Benichou D19/76
D273,427 S 4/1984 Barradas
D287,788 S 1/1987 Shames et al.
D290,786 S 7/1987 Townley
D305,809 S 1/1990 Weber et al.
D354,372 S 1/1995 Gaynor
D412,247 S 7/1999 Adkins
D427,436 S * 7/2000 Chan D3/292
D469,253 S * 1/2003 Lewis D3/294
D645,338 S * 9/2011 Kapur D9/415
D646,482 S * 10/2011 Deguglimo D3/276
D661,083 S 6/2012 Frierson

OTHER PUBLICATIONS

Cammy Nguyen, The Cammy Nguyen Tweezer Stand, First Available May 7, 2020, https://web.archive.org/web/20200507205243if_/https://cammynguyen.com/products/the-cammy-nguyen-tweezer-stand?variant=31597669220388. (Year: 2020).*

(Continued)

Primary Examiner — Holly E Thurman
(74) *Attorney, Agent, or Firm* — Cionca IP Law P.C.; Maria Cionca

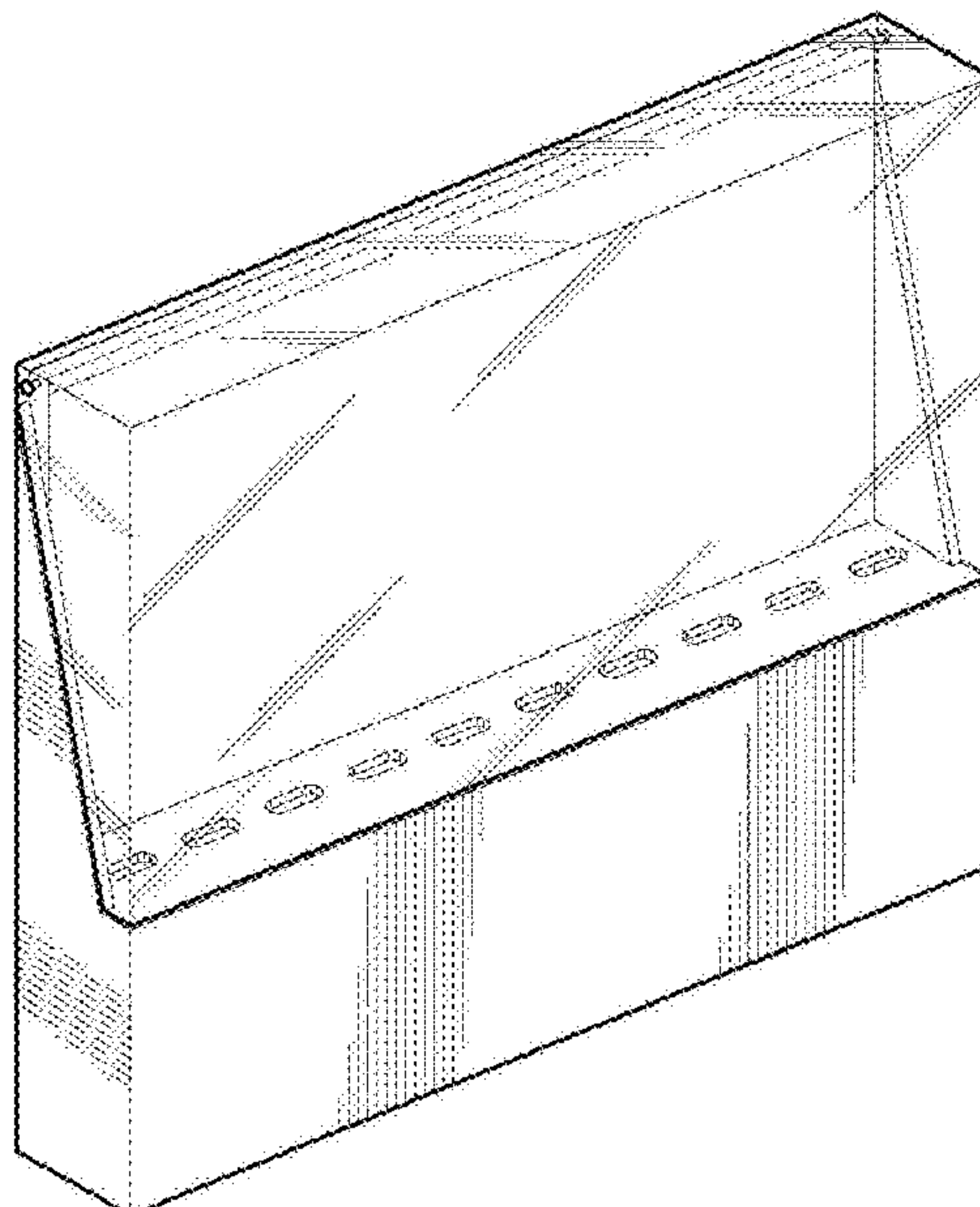
(57) **CLAIM**

The ornamental design for a case, as shown and described.

DESCRIPTION

FIG. 1 is a perspective view of a case showing the new design, in a closed state;
FIG. 2 is a front elevation view thereof;
FIG. 3 is a rear elevation view thereof;
FIG. 4 is a right side elevation view thereof;
FIG. 5 is a left side elevation view thereof;
FIG. 6 is a top plan view thereof; and,
FIG. 7 is a perspective view of the case from FIG. 1, in an open state.

1 Claim, 5 Drawing Sheets



(56)

References Cited

OTHER PUBLICATIONS

Rosemaryrose, First Available Aug. 14, 2020, https://www.amazon.co.uk/dp/B08FX3W8G8/ref=sspa_dk_detail_1?pd_rd_i=B08FX3W8G8&pd_rd_w=TBLtU&pf_rd_p=9670e001-0086-43fd-bdac-86920c280183&pd_rd_wg=k0iU8&pf_rd_r=XXJYD1QFC6M9881ZZMC4&pd_rd_r=99b67a2f-2b47-4d5f-8ed8-b873ba2bf856&spLa=ZW5jcniwdGVkUXVhbGImaWVy (Year: 2020).*

Lost Artistry, Marble Tweezer Stand, <https://lostartistrylash.com/products/marble-tweezer-stand>.

Ilevel Lab, Tweezer Stand, <https://www.eyelashextensionssupplies.com/products/tweezer-stand>.

* cited by examiner

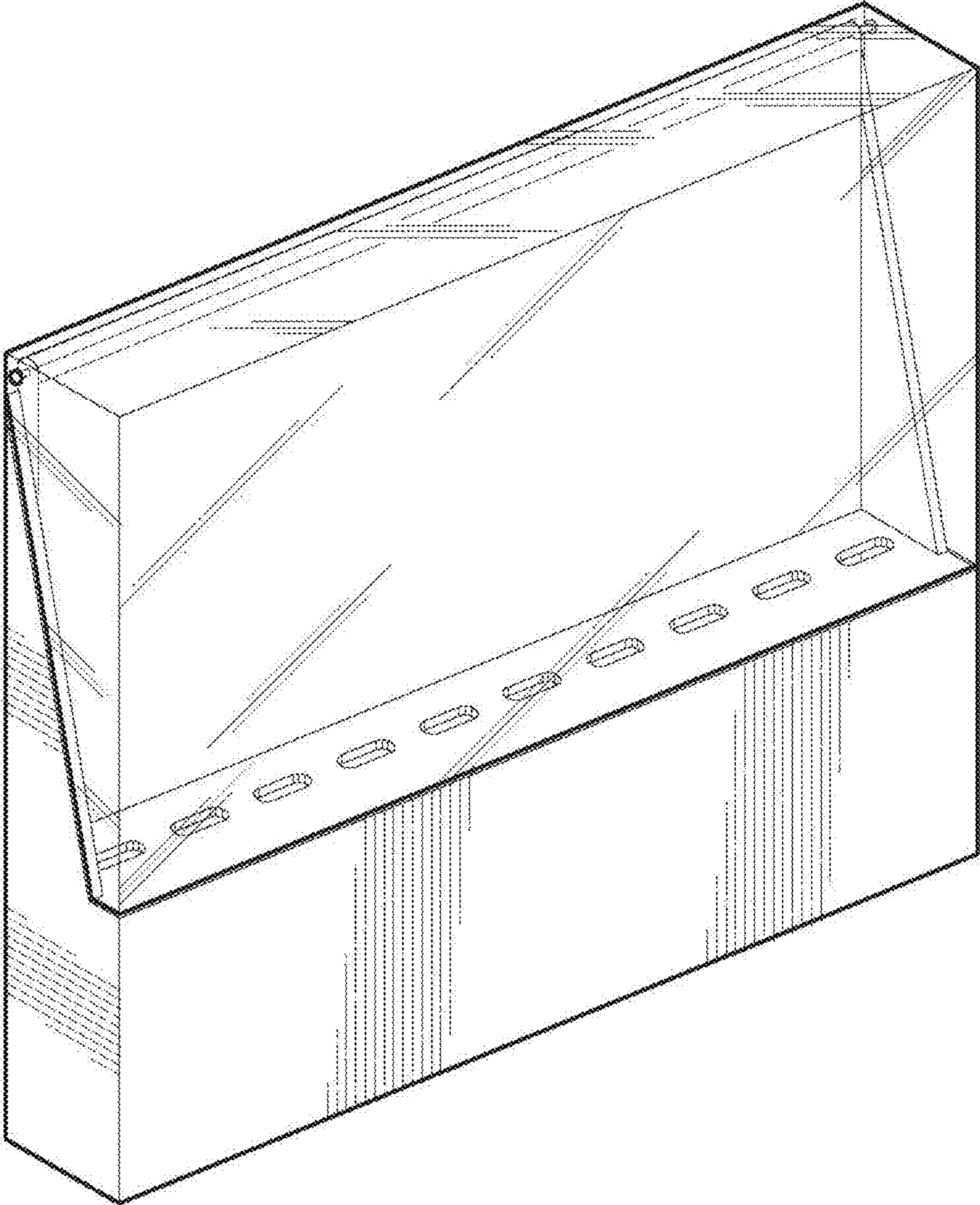


FIG. 1

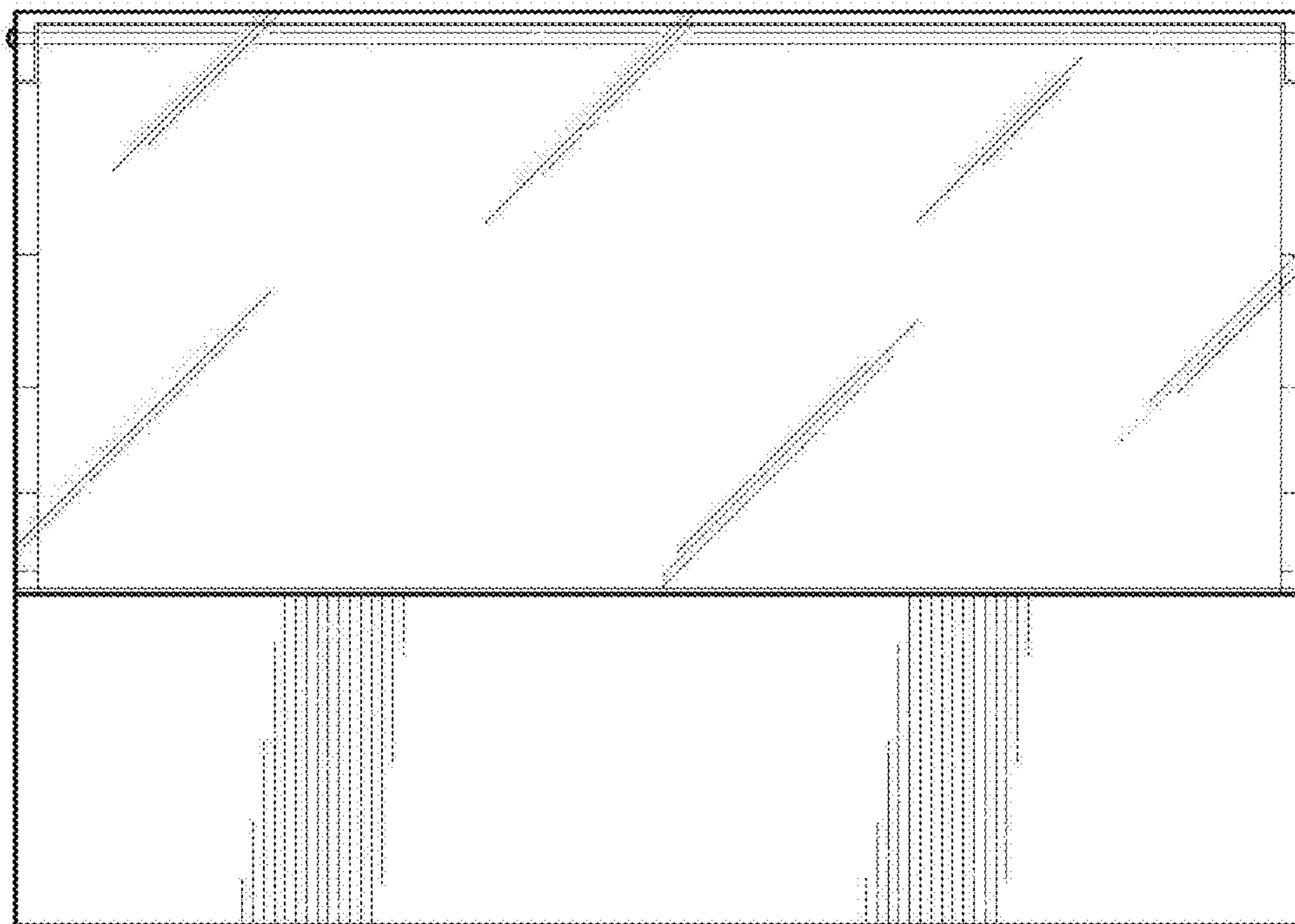


FIG. 2



FIG. 3

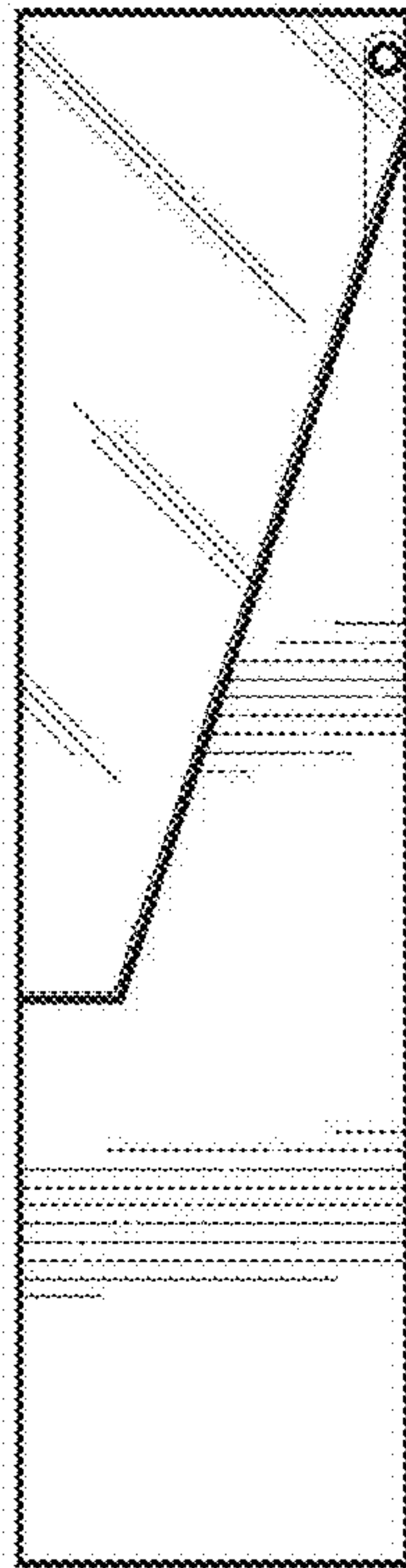


FIG. 4

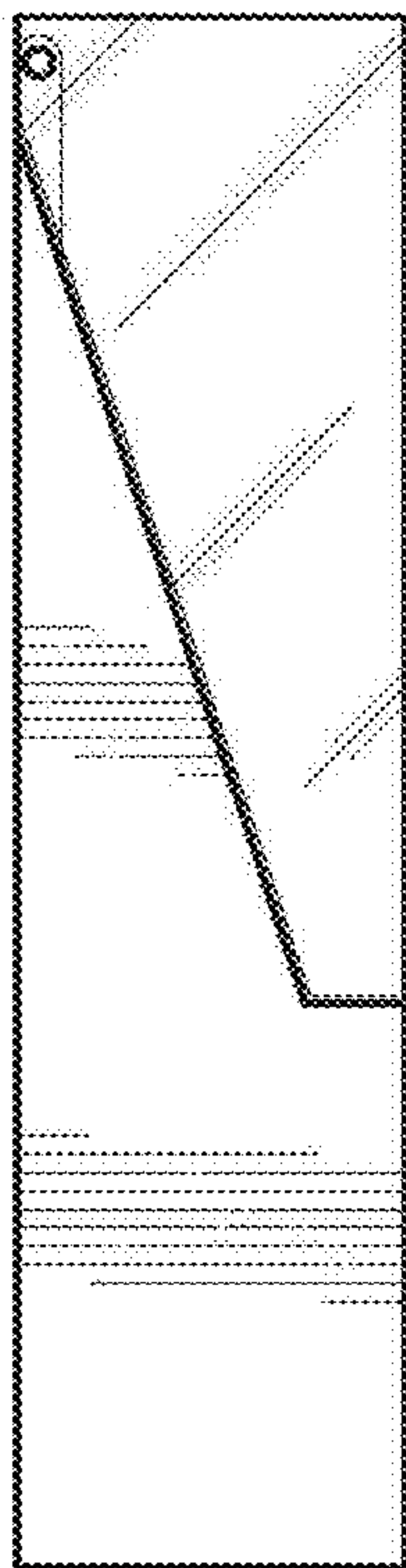


FIG. 5

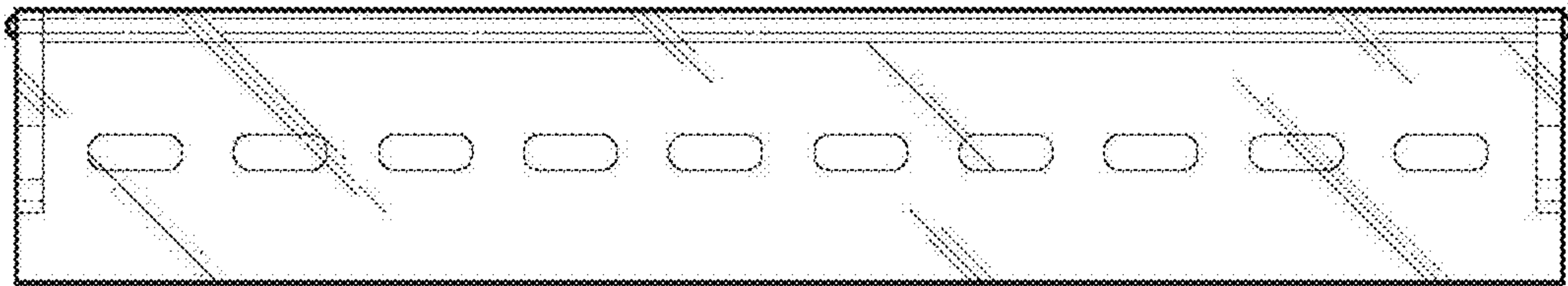


FIG. 6

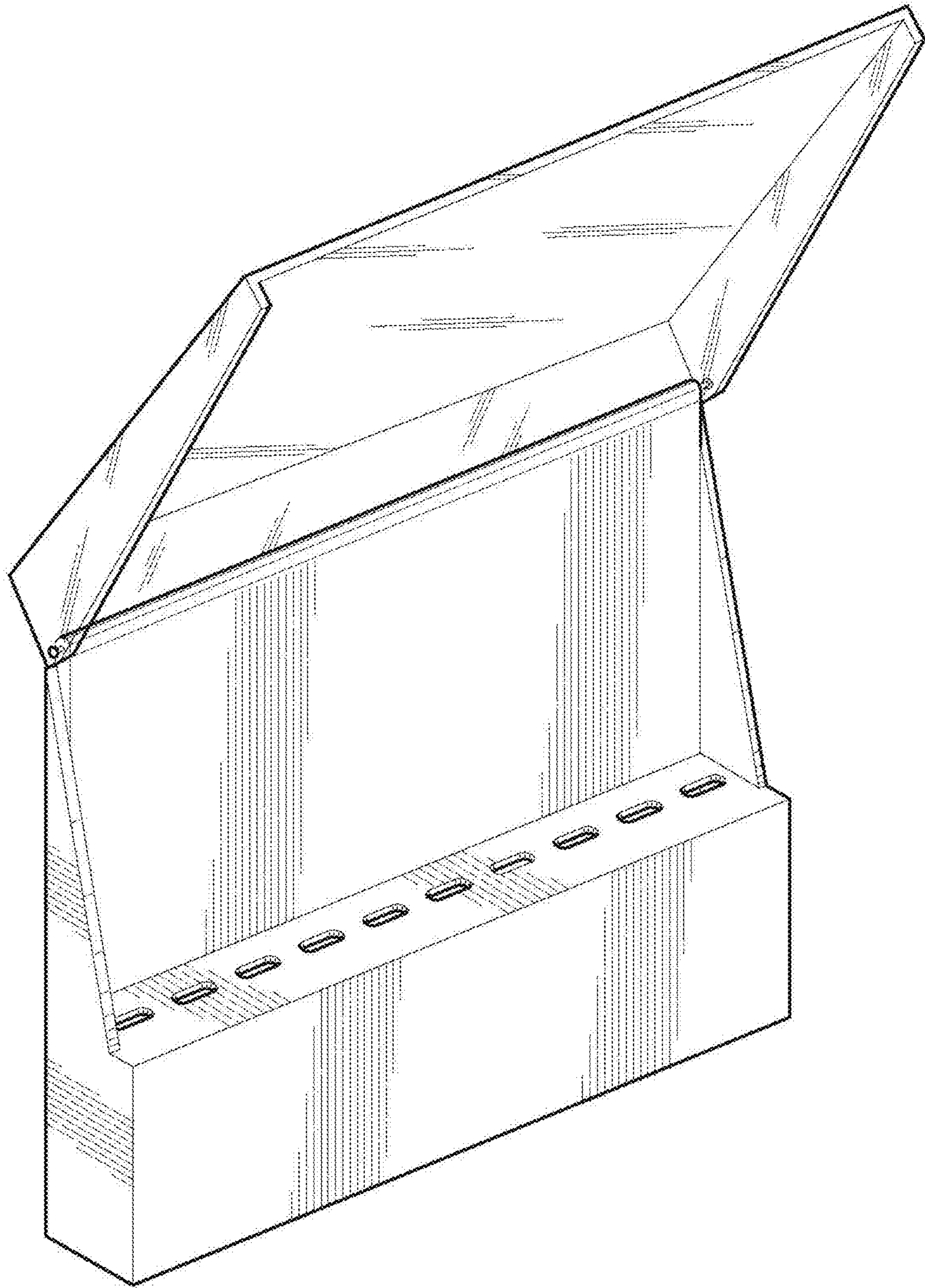


FIG. 7