



US00D917881S

(12) **United States Design Patent** (10) **Patent No.:** **US D917,881 S**  
**Spiegel et al.** (45) **Date of Patent:** **\*\* May 4, 2021**

(54) **EYEWEAR CASE**

(71) Applicants: **Evan Spiegel**, Santa Monica, CA (US);  
**Jinwoo Kim**, Los Angeles, CA (US);  
**Tanatip Arunanondchai**, Santa  
Monica, CA (US); **Mathias Andreas**  
**Hintermann**, Playa Vista, CA (US);  
**Lauryn Morris**, Culver City, CA (US)

(72) Inventors: **Evan Spiegel**, Santa Monica, CA (US);  
**Jinwoo Kim**, Los Angeles, CA (US);  
**Tanatip Arunanondchai**, Santa  
Monica, CA (US); **Mathias Andreas**  
**Hintermann**, Playa Vista, CA (US);  
**Lauryn Morris**, Culver City, CA (US)

(73) Assignee: **Snap Inc.**, Santa Monica, CA (US)

(\*\*) Term: **15 Years**

(21) Appl. No.: **29/674,950**

(22) Filed: **Dec. 27, 2018**

(51) **LOC (13) Cl.** ..... **03-01**

(52) **U.S. Cl.**  
USPC ..... **D3/265; D3/266**

(58) **Field of Classification Search**  
USPC ..... D3/207, 215, 219, 229, 232, 263–266,  
D3/299, 211; D12/417; D16/330, 339;  
24/3.3, 3.7, 3.8, 563; 206/5, 5.1, 6;  
248/902; 351/112, 155  
CPC ..... A45C 11/04; A45C 11/005; A47F 7/02;  
A47F 7/021  
See application file for complete search history.

(56) **References Cited**

U.S. PATENT DOCUMENTS

1,426,485 A \* 8/1922 La Roche ..... A45C 7/0063  
383/2  
1,835,749 A \* 12/1931 Behrman ..... A45C 3/06  
150/106

(Continued)

*Primary Examiner* — T Chase Nelson

(74) *Attorney, Agent, or Firm* — Culhane Meadows  
PLLC; Stephen J. Weed

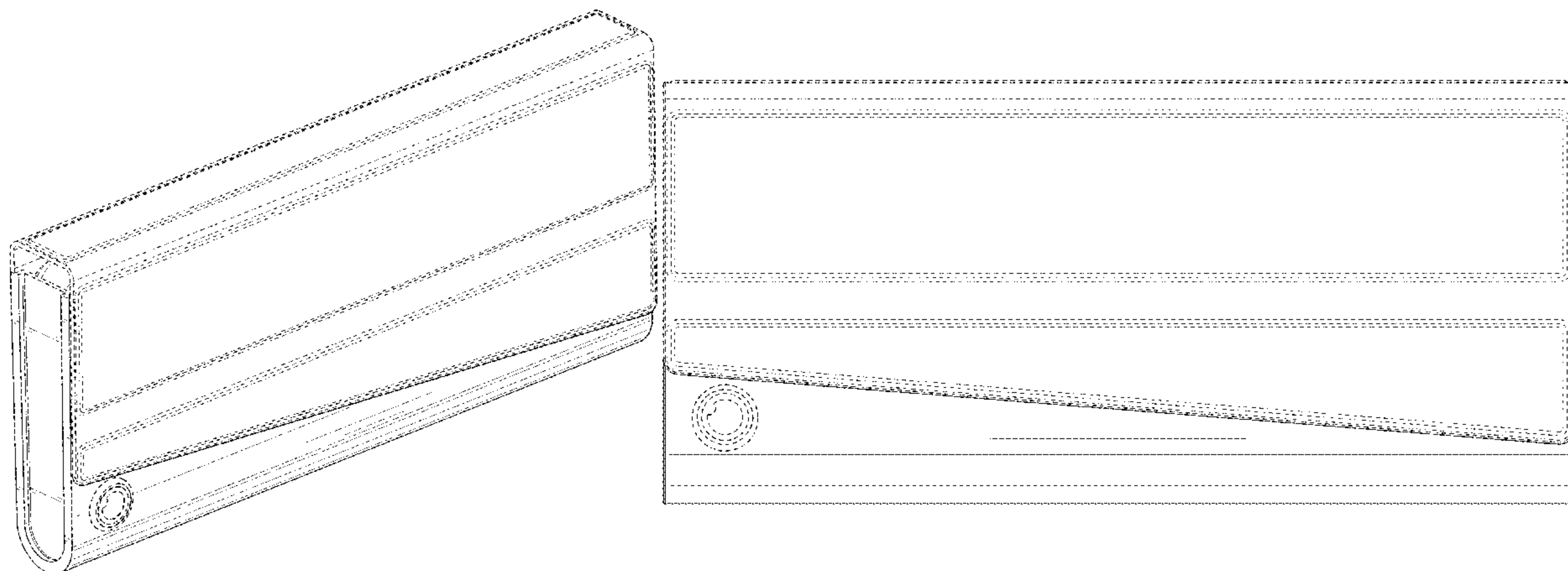
(57) **CLAIM**

The ornamental design for an eyewear case, as shown and  
described.

**DESCRIPTION**

FIG. 1 is a front perspective view of an eyewear case shown  
in a collapsed and closed state;  
FIG. 2 is a front elevation view thereof;  
FIG. 3 is a rear elevation view thereof;  
FIG. 4 is a top view thereof;  
FIG. 5 is a bottom view thereof;  
FIG. 6 is a left side view thereof; and  
FIG. 7 is a right side view thereof.  
FIG. 8 is a front perspective view of the eyewear case shown  
in an expanded and closed state;  
FIG. 9 is a front elevation view thereof;  
FIG. 10 is a rear elevation view thereof;  
FIG. 11 is a top view thereof;  
FIG. 12 is a bottom view thereof;  
FIG. 13 is a left side view thereof; and  
FIG. 14 is a right side view thereof.  
FIG. 15 is a front perspective view of the eyewear case  
shown in an expanded and first open state;  
FIG. 16 is a front perspective view of the eyewear case  
shown in an expanded and second open state prior to  
placement of eyewear into the eyewear case; and,  
FIG. 17 is a front perspective view thereof after placement  
of eyewear into the eyewear case.  
The broken line showing of the eyewear case is for the  
purpose of illustrating portions of the article and forms no  
part of the claimed design. The broken line showing of  
eyewear in FIGS. 16 and 17 is for the purpose of illustrating  
environment that forms no part of the claimed design.

**1 Claim, 17 Drawing Sheets**



(56)

References Cited

U.S. PATENT DOCUMENTS

1,994,746 A \* 3/1935 Banner ..... A45C 3/06  
150/103  
D152,762 S \* 2/1949 Williams ..... D3/245  
2,667,965 A \* 2/1954 Laibson ..... A45C 11/04  
206/5  
3,000,417 A \* 9/1961 Goldstein ..... A45C 11/04  
206/5  
3,081,807 A \* 3/1963 Lightburn ..... A45C 11/00  
206/320  
3,559,798 A \* 2/1971 Jacobsen ..... A45C 11/04  
206/5  
3,977,516 A \* 8/1976 Tilve ..... A45C 11/04  
206/5  
D300,688 S \* 4/1989 Marks ..... D3/265  
D306,654 S \* 3/1990 Brown ..... D3/218  
D318,757 S \* 8/1991 Beanum ..... D3/264  
D332,525 S \* 1/1993 Ogata ..... D3/265  
D404,567 S \* 1/1999 Akutsu ..... D3/247  
D422,405 S \* 4/2000 du Sartel ..... D3/232  
D433,803 S \* 11/2000 Haapala ..... D3/232  
D498,360 S \* 11/2004 de Baschmakoff ..... D3/243  
D508,843 S \* 8/2005 Lane ..... A45C 11/00  
D3/265  
D530,917 S \* 10/2006 Conforti ..... A45C 11/04  
D3/299  
D548,972 S \* 8/2007 Wald ..... A45C 11/04  
D12/415  
D569,100 S \* 5/2008 Stulman ..... D3/232  
D572,468 S \* 7/2008 Nair ..... D3/232  
D582,666 S \* 12/2008 Javits, Jr. .... D3/232  
D626,331 S \* 11/2010 Guyon ..... D3/243  
D690,506 S \* 10/2013 Kuster ..... D3/232

8,590,698 B1 \* 11/2013 Osborne ..... A45C 11/04  
206/38  
D703,954 S \* 5/2014 Zizka ..... D3/299  
D709,694 S \* 7/2014 Cafiero ..... D3/266  
D712,139 S \* 9/2014 Klusener ..... D3/232  
D714,048 S \* 9/2014 Wang ..... D3/232  
D723,270 S \* 3/2015 Basha ..... D3/243  
D723,272 S \* 3/2015 Basha ..... D3/243  
D730,042 S \* 5/2015 Slimane ..... D3/243  
D730,644 S \* 6/2015 Basha ..... D3/243  
D730,645 S \* 6/2015 Slimane ..... D3/243  
D751,286 S \* 3/2016 Maier ..... D3/232  
D773,808 S \* 12/2016 Borgo ..... D3/232  
D785,933 S \* 5/2017 Louboutin ..... D3/243  
D795,576 S \* 8/2017 Klar ..... D3/265  
D796,837 S \* 9/2017 Wu ..... D3/265  
D811,733 S \* 3/2018 Barclay ..... D3/232  
D812,904 S \* 3/2018 Nair ..... D3/243  
D823,597 S \* 7/2018 Krainz ..... D3/299  
D824,672 S \* 8/2018 Jusic ..... D3/299  
D836,341 S \* 12/2018 Kite ..... D3/318  
D854,318 S \* 7/2019 Rahardjo ..... D3/243  
D854,829 S \* 7/2019 Taxel ..... A45C 3/06  
D3/299  
D855,980 S \* 8/2019 Rahardjo ..... D3/243  
D864,560 S \* 10/2019 Saxena ..... D3/232  
D873,561 S \* 1/2020 Hubbell ..... D3/232  
D877,505 S \* 3/2020 Hanover ..... D3/265  
D882,264 S \* 4/2020 Zhang ..... D3/299  
D882,945 S \* 5/2020 Dai ..... D3/232  
D884,337 S \* 5/2020 Kern ..... D3/232  
D885,755 S \* 6/2020 Dumas ..... D3/232  
2014/0190840 A1 \* 7/2014 Scribner ..... A45C 11/043  
206/5  
2014/0360898 A1 \* 12/2014 Kantor ..... A45C 11/04  
206/216  
2020/0187613 A1 \* 6/2020 Dabov ..... H02J 7/0044

\* cited by examiner

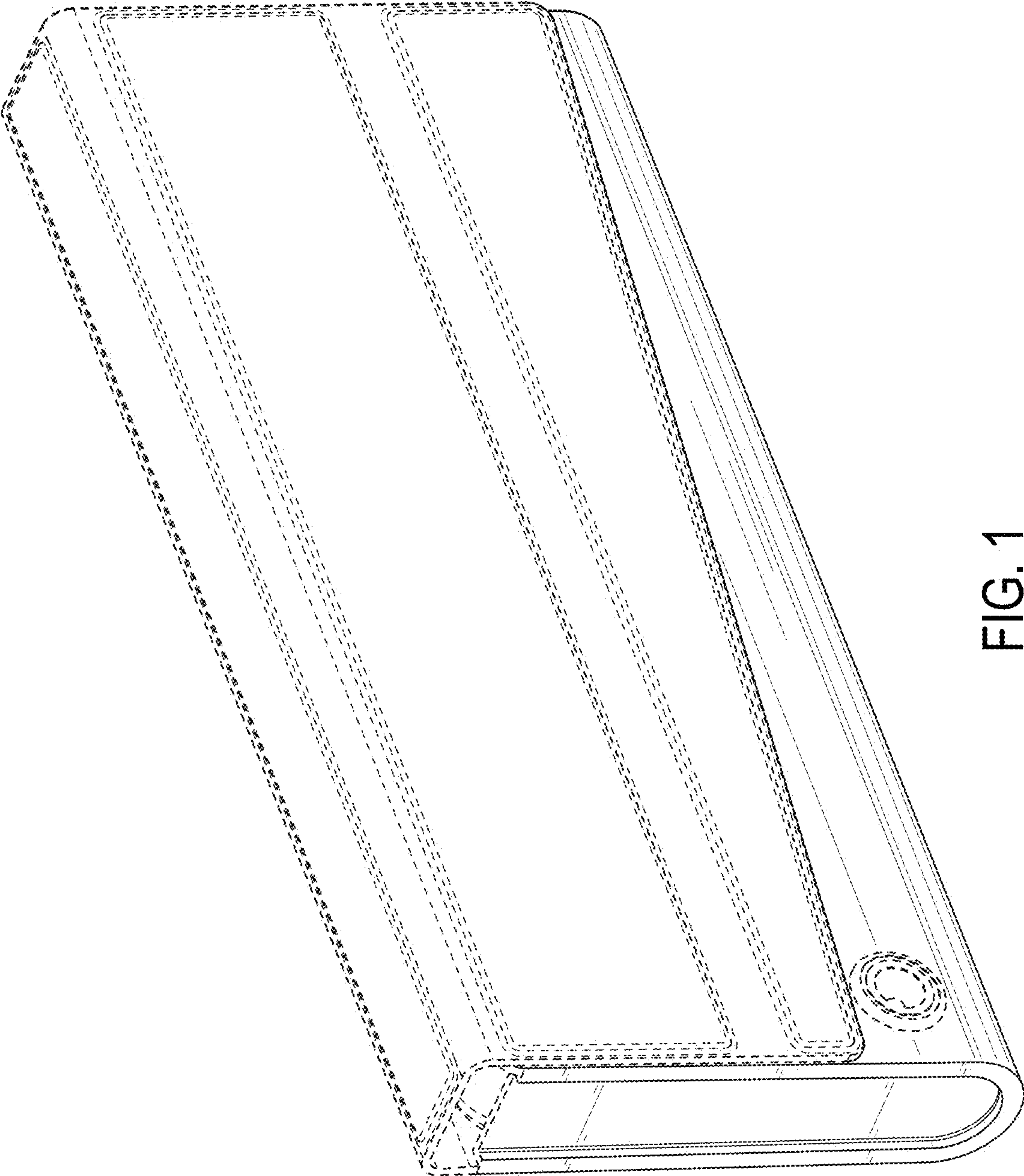


FIG. 1



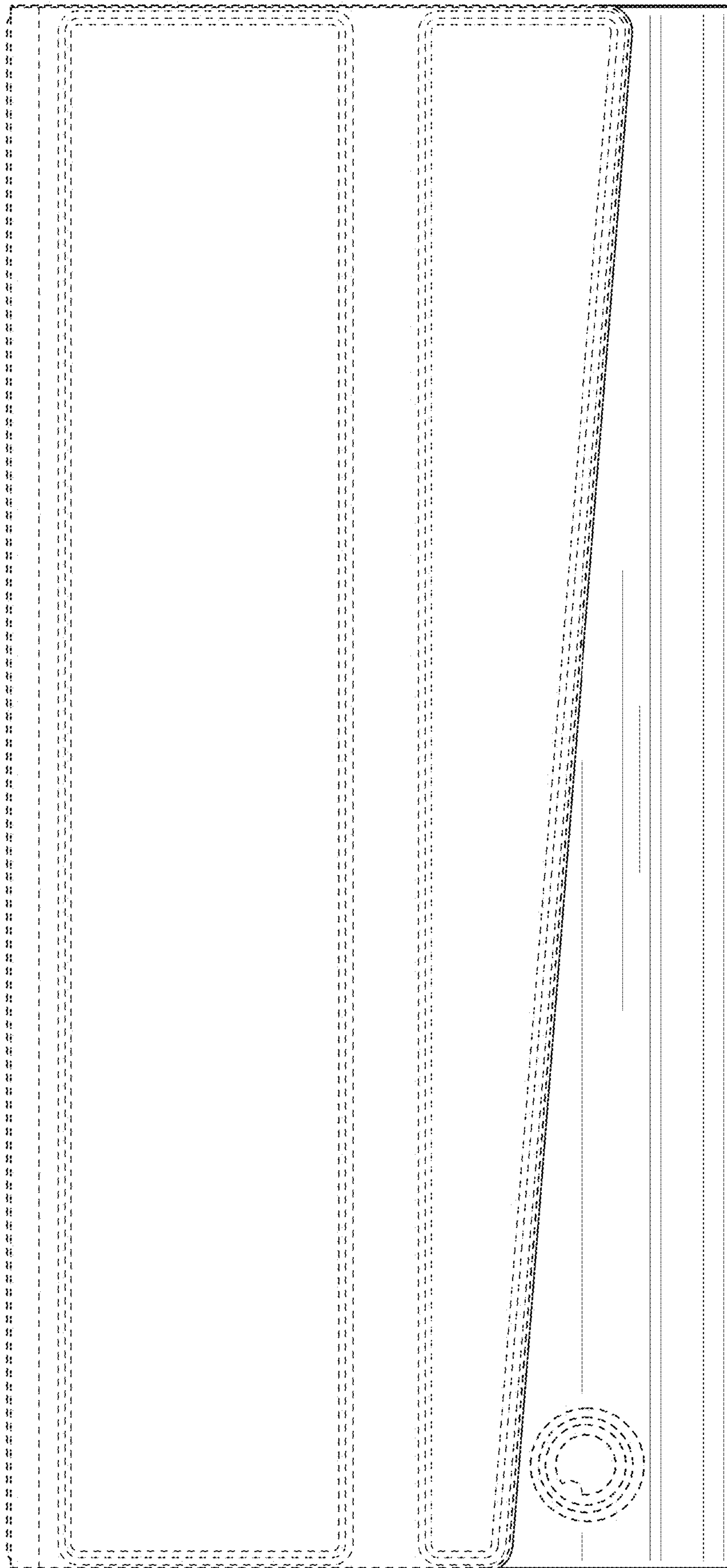


FIG. 2

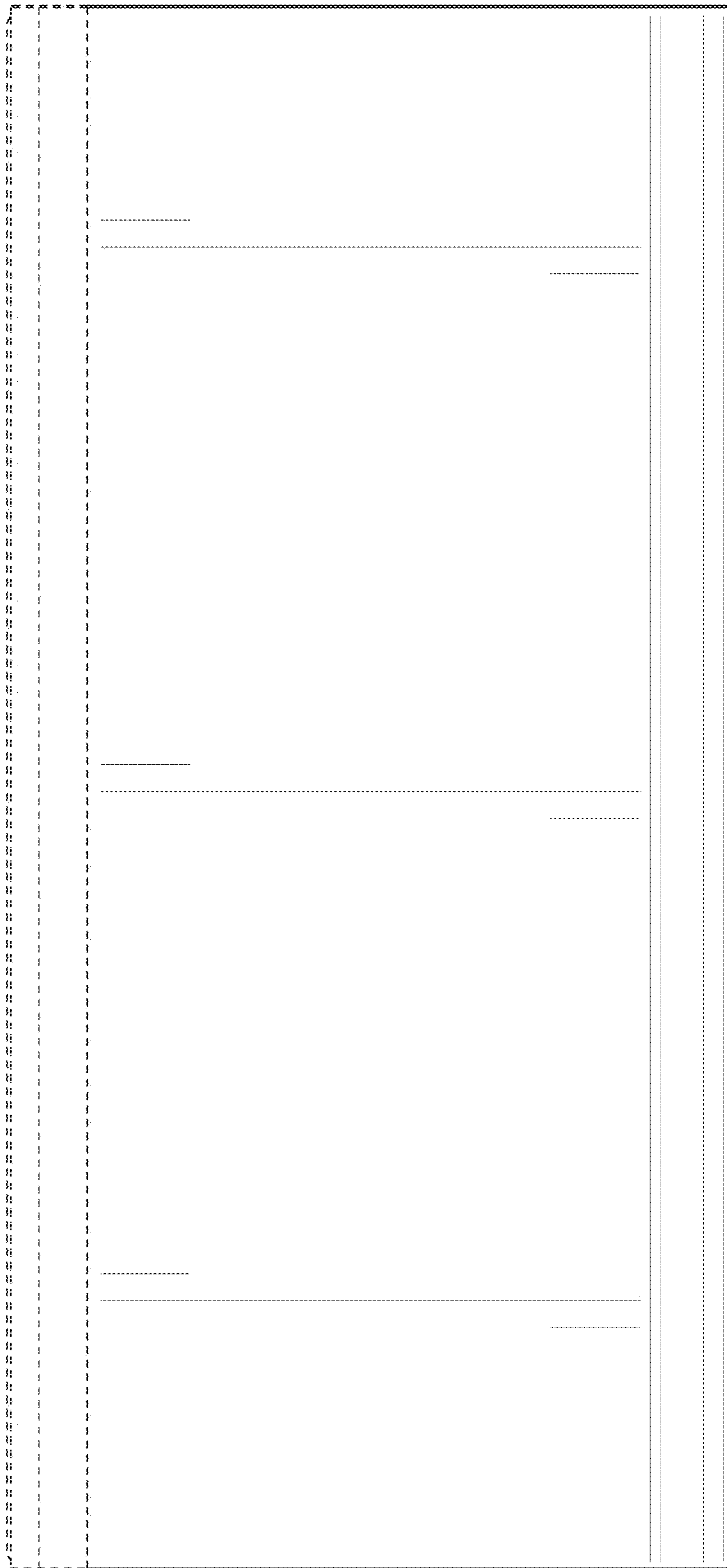


FIG. 3

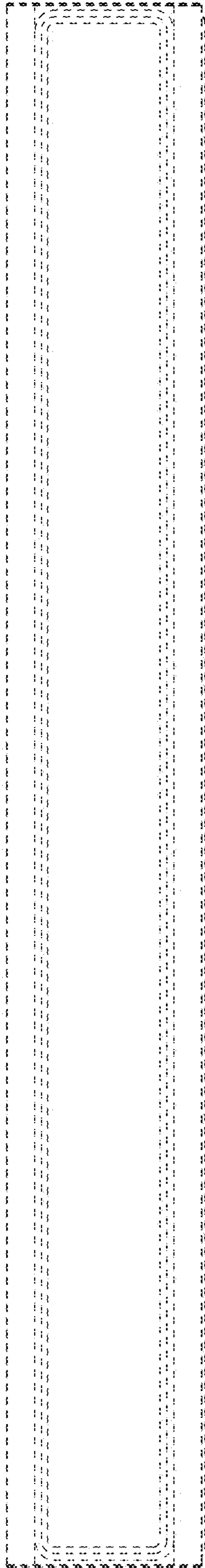


FIG. 4

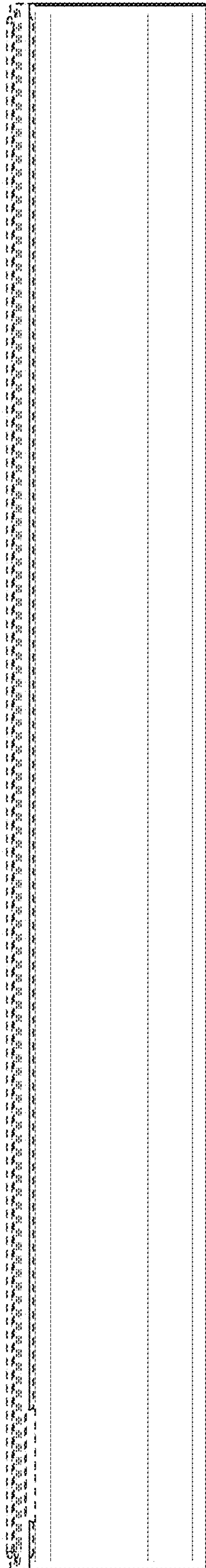


FIG. 5

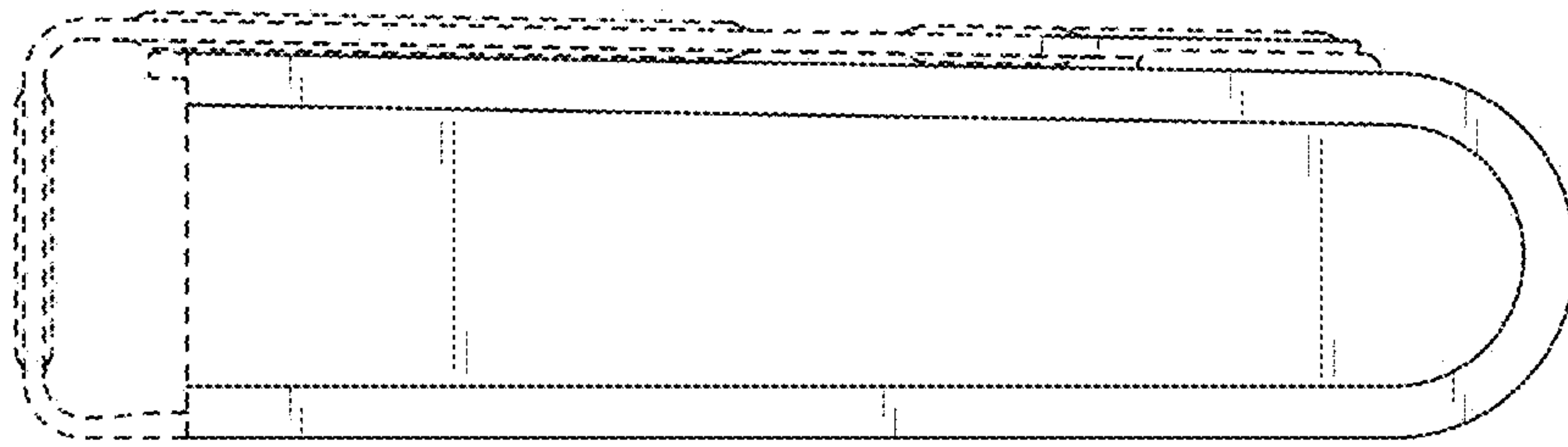


FIG. 6



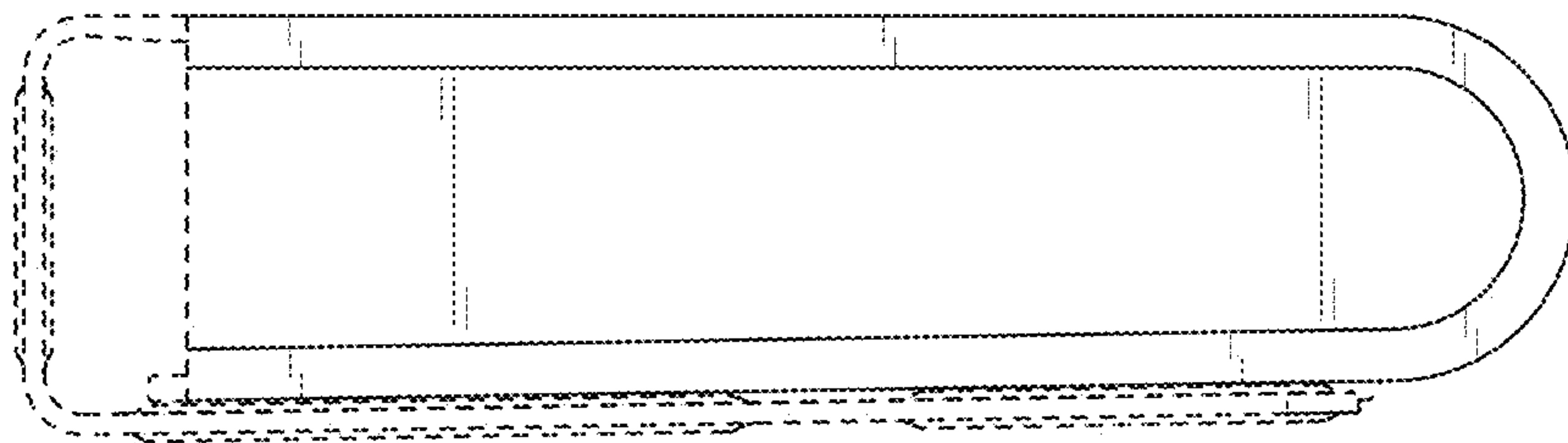


FIG. 7

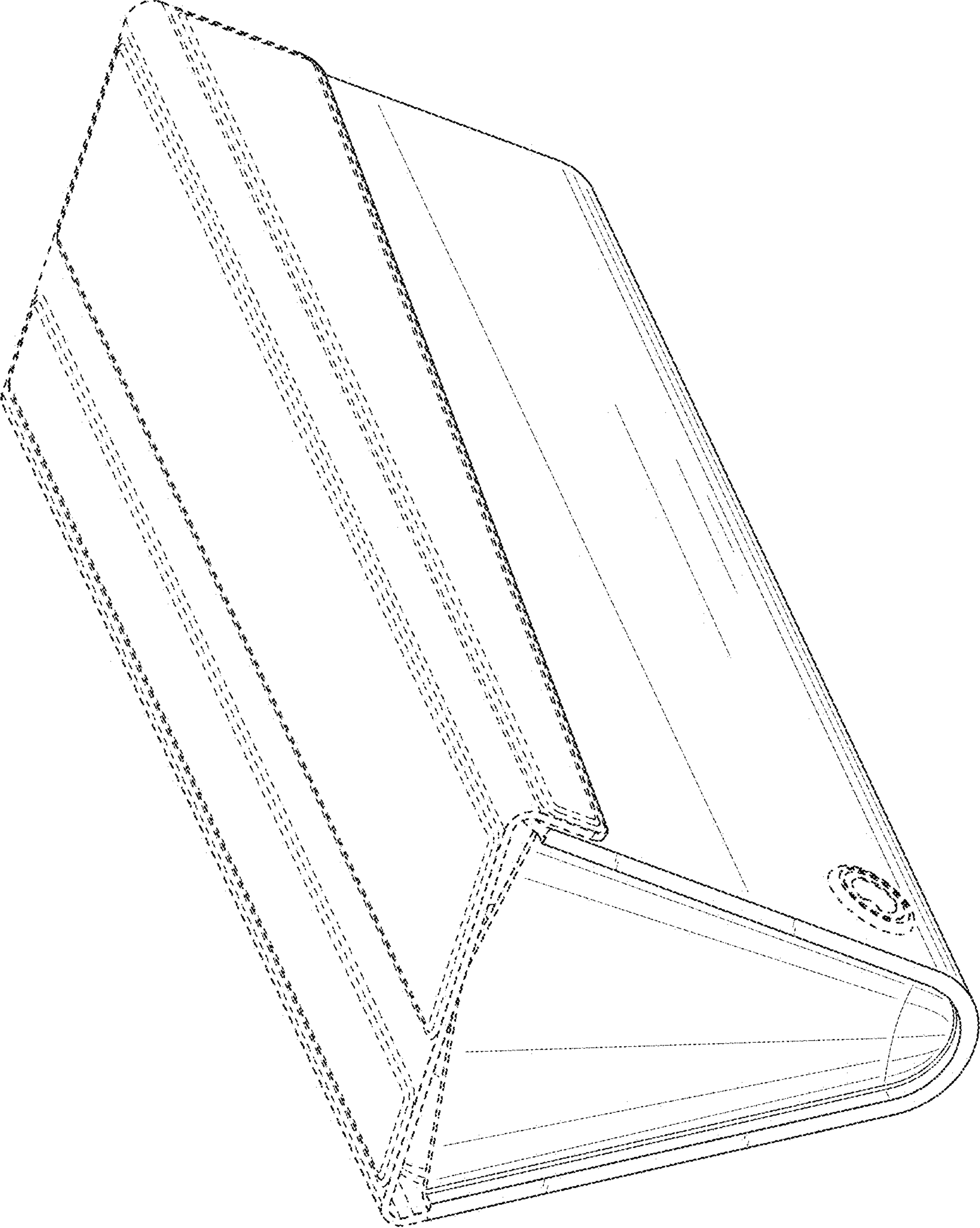


FIG. 8

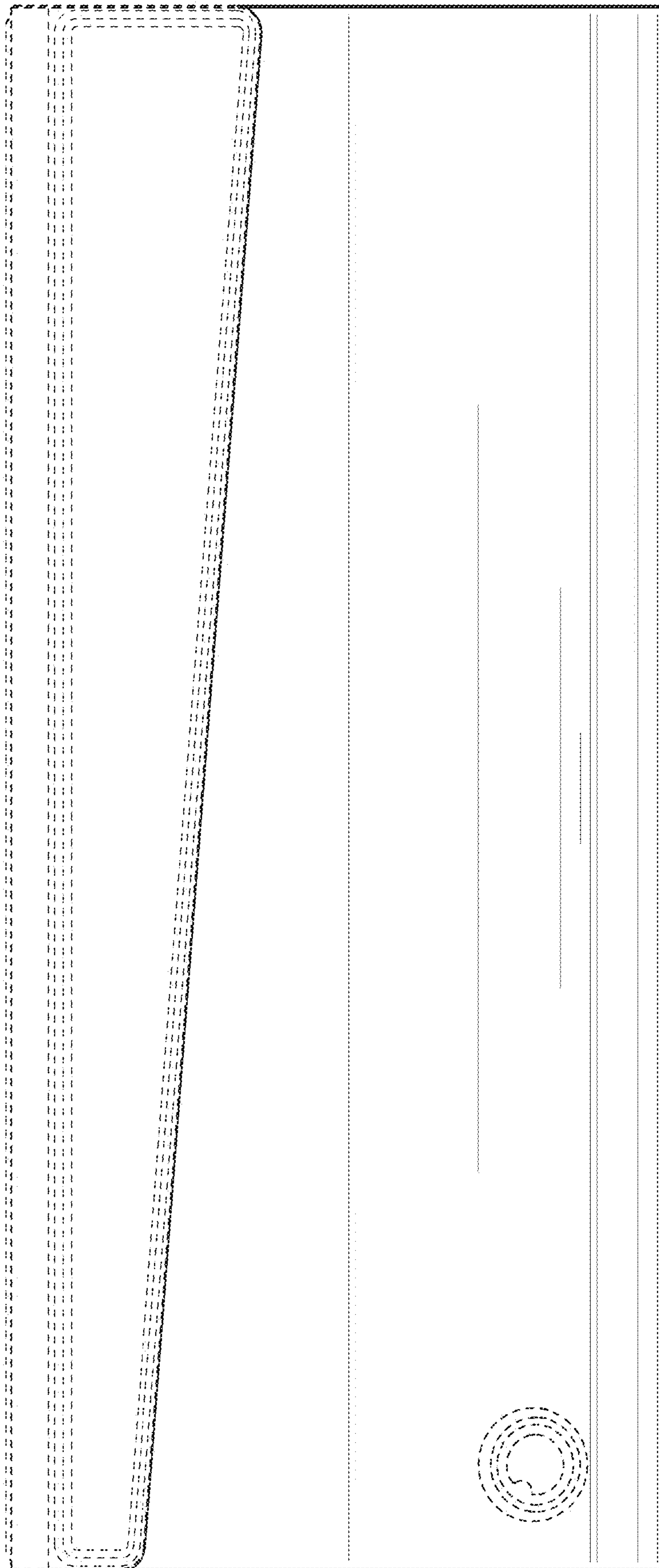


FIG. 9

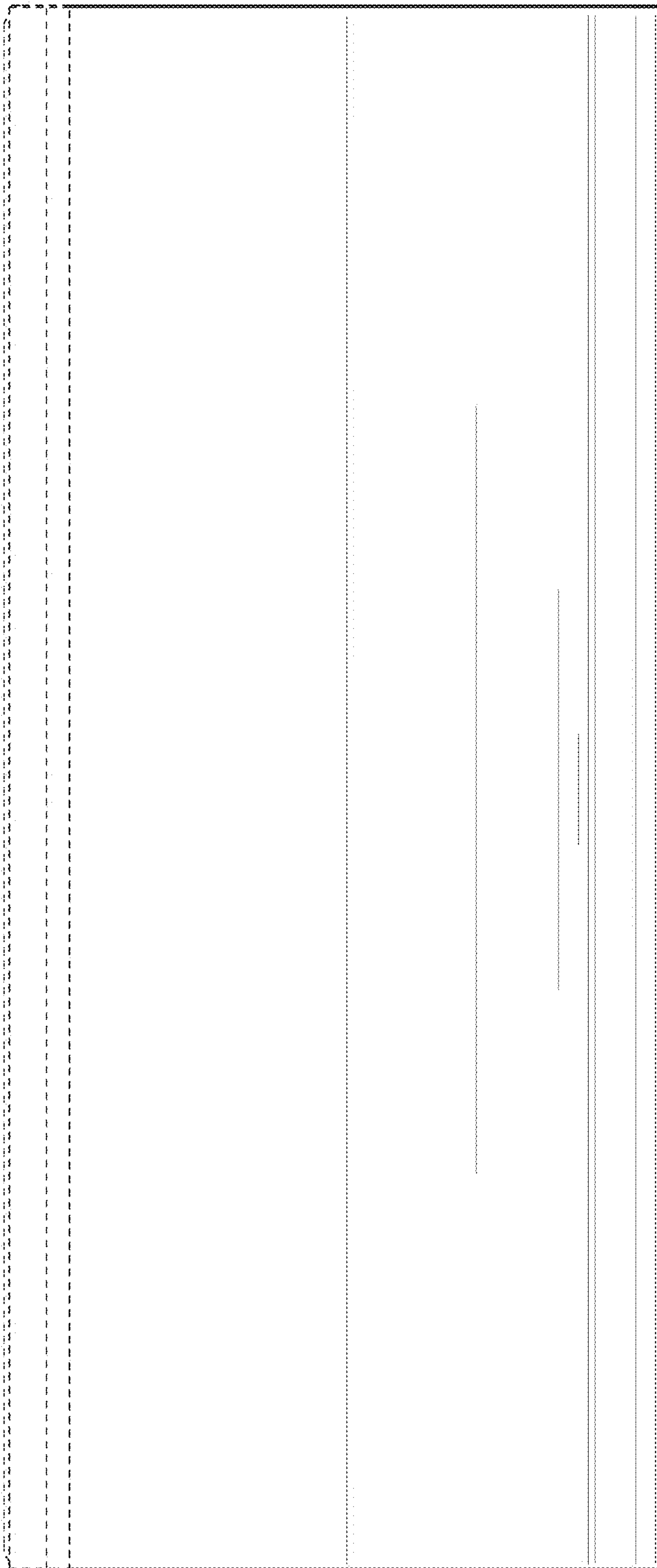


FIG. 10



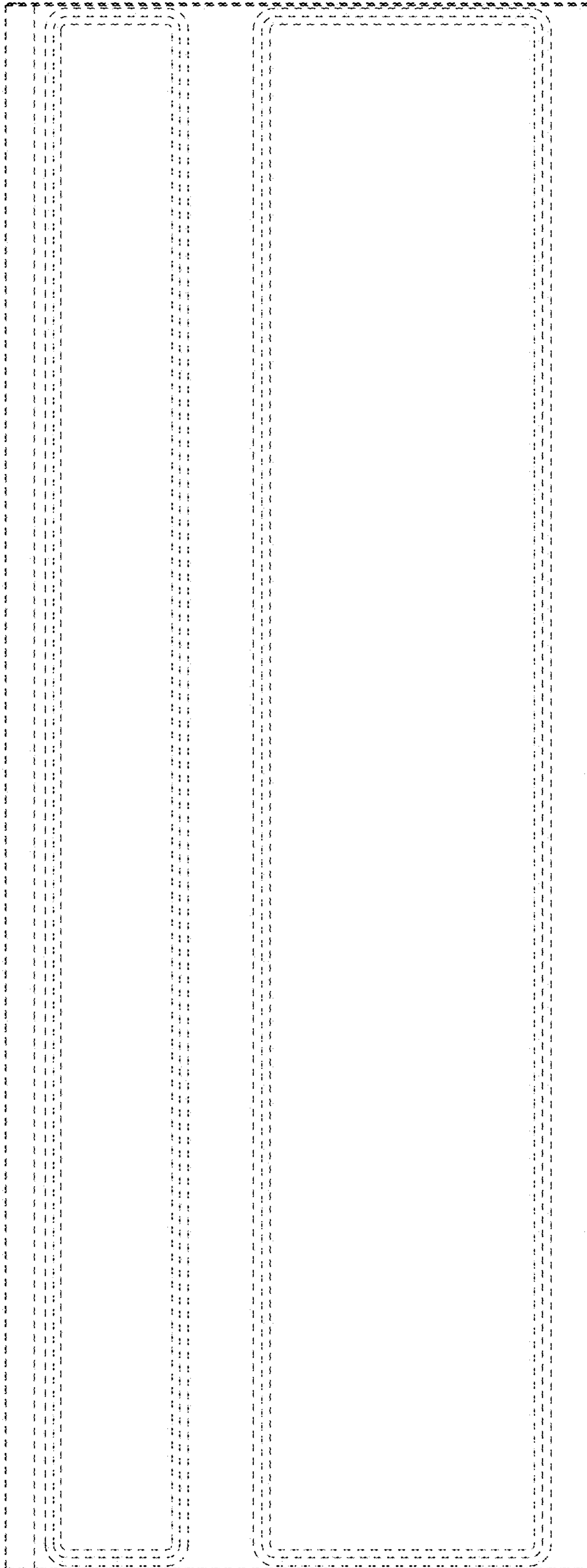


FIG. 11

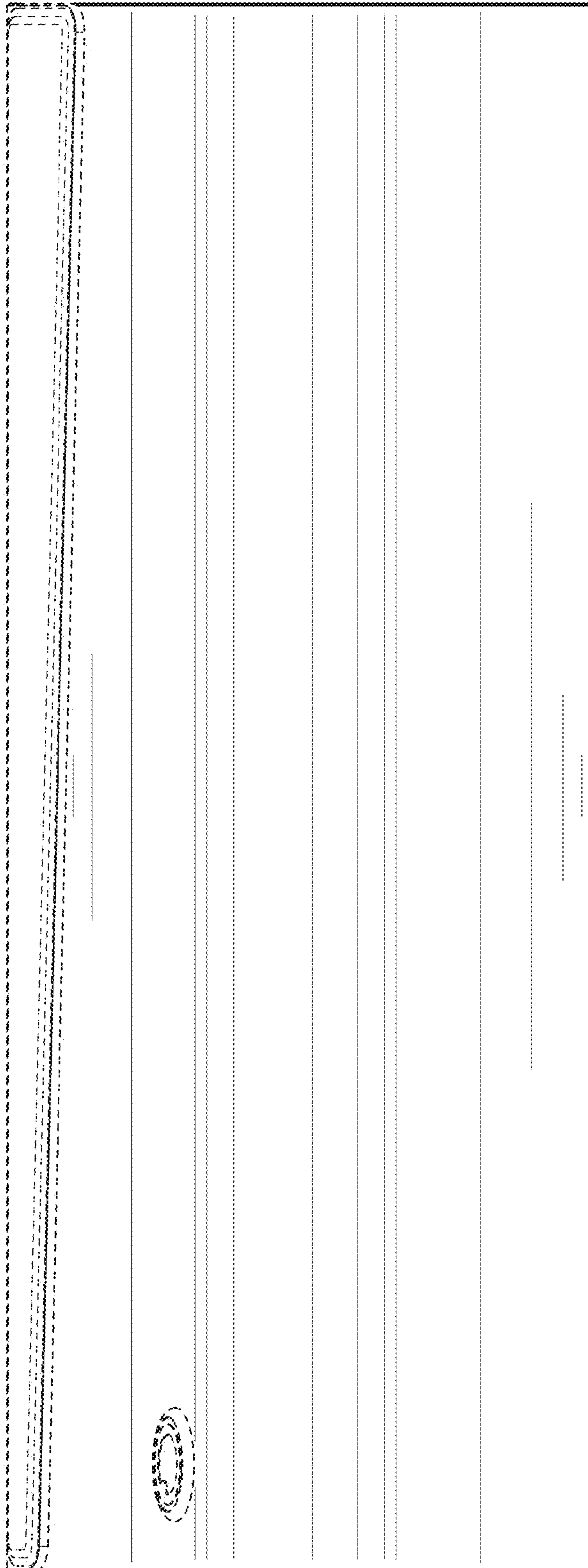


FIG. 12

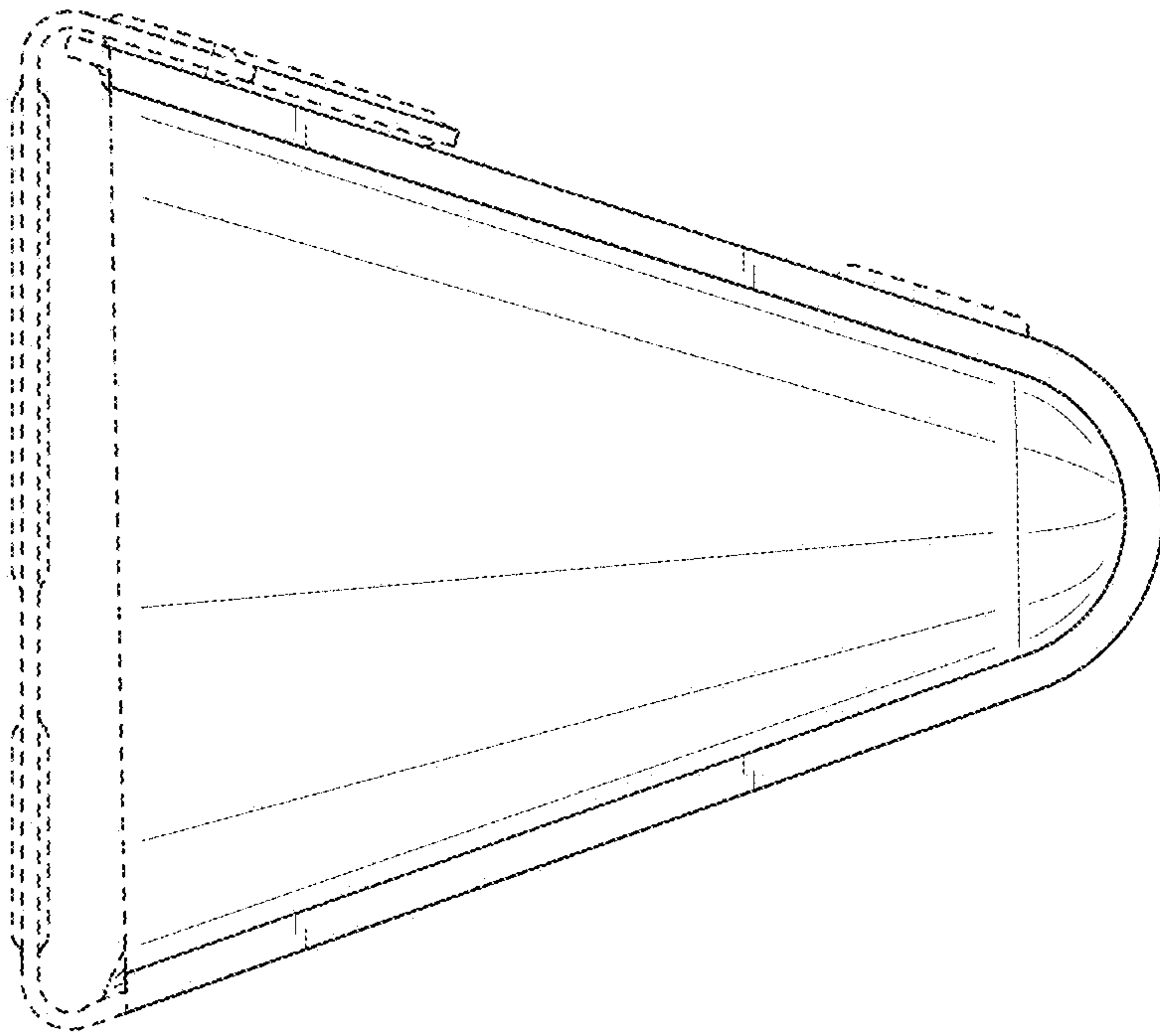


FIG. 13

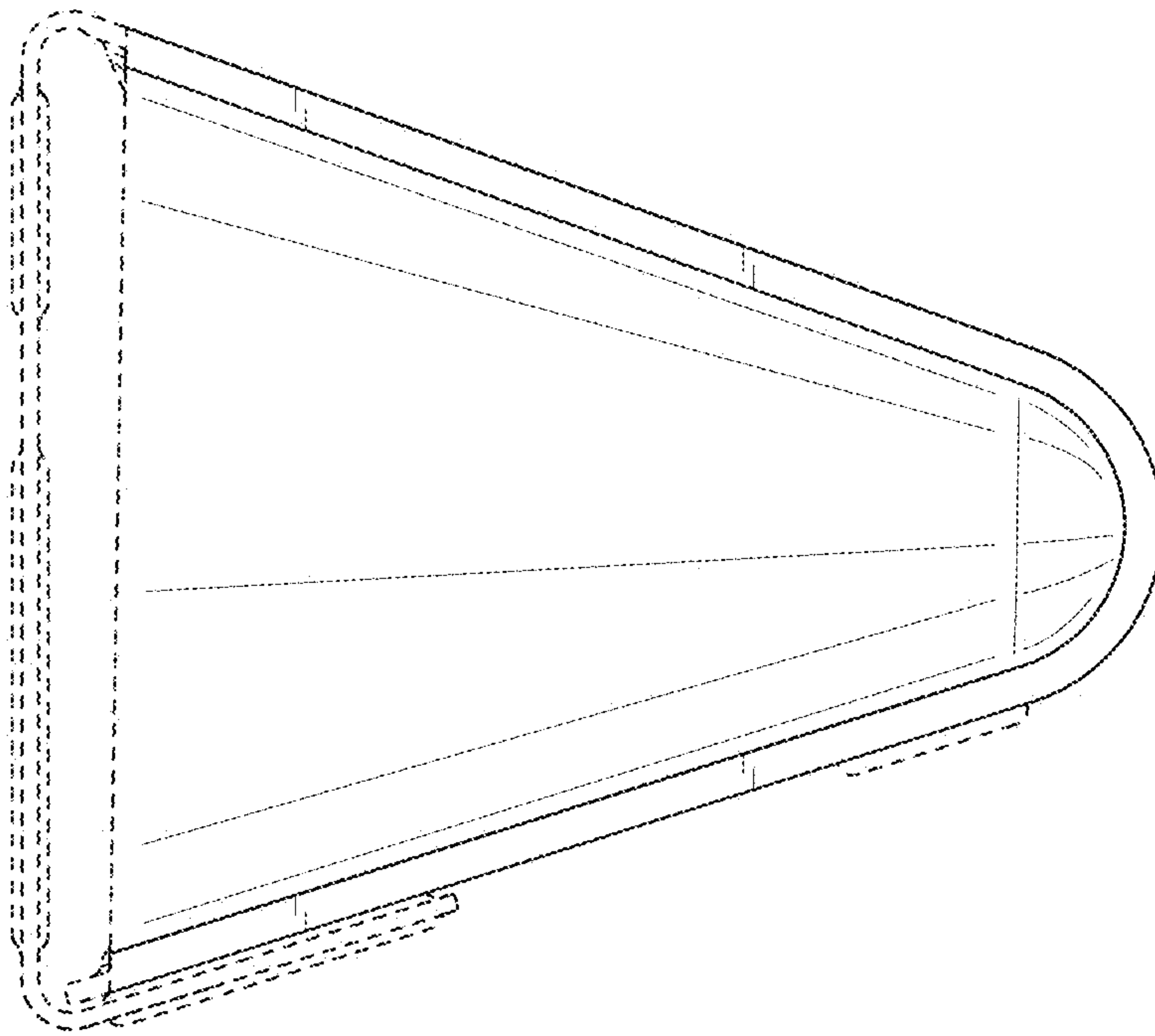


FIG. 14



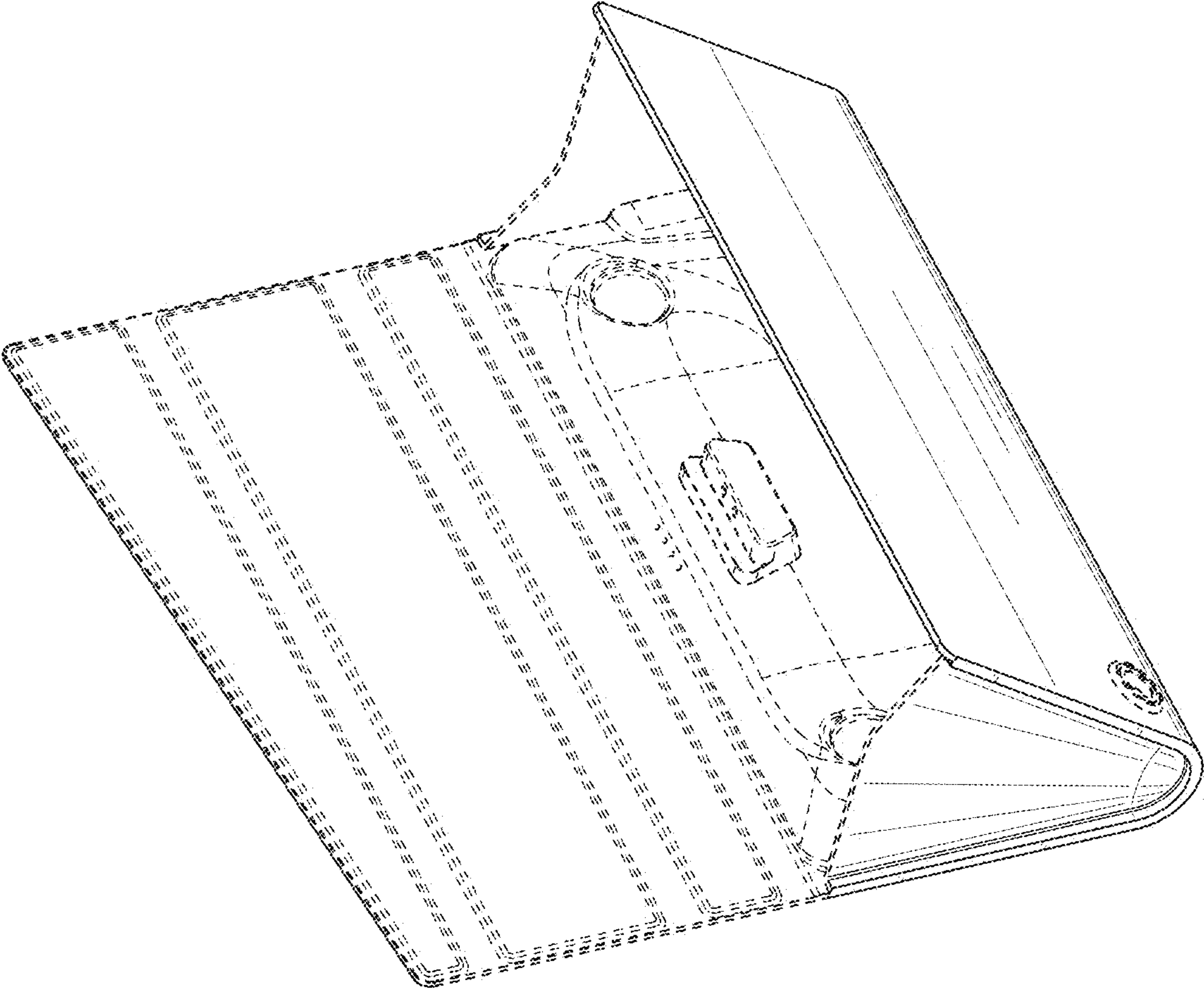


FIG. 15

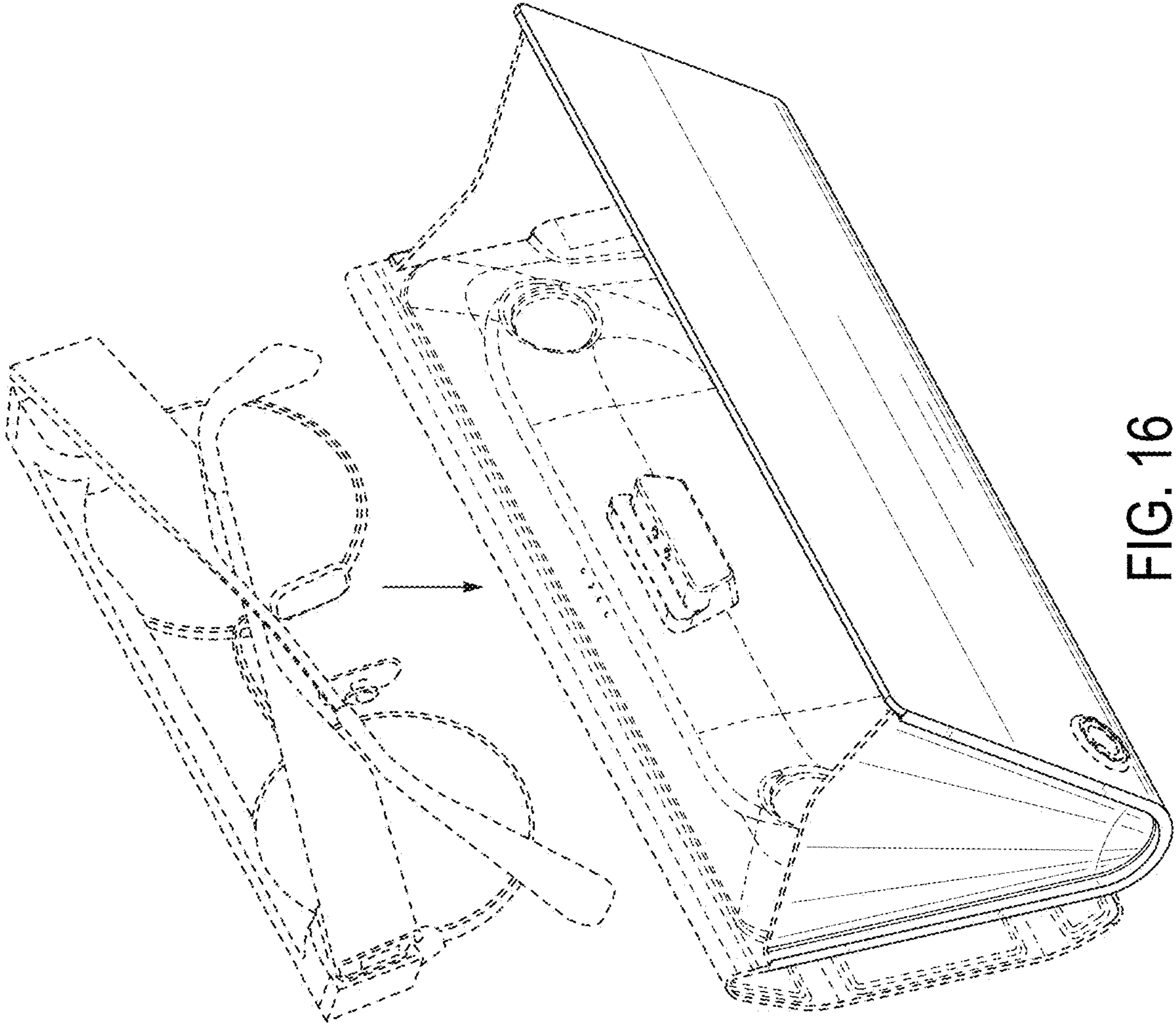


FIG. 16

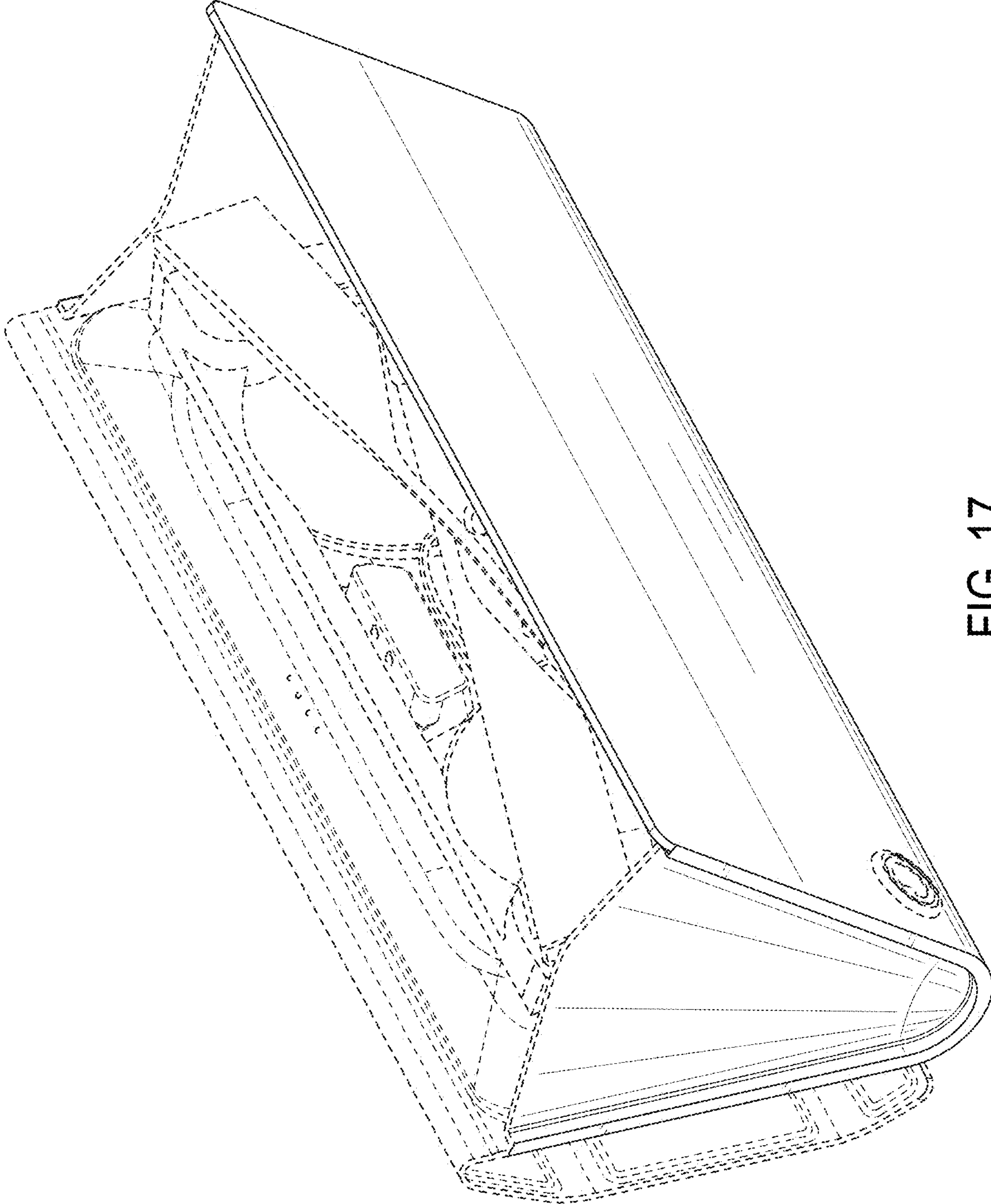


FIG. 17