



US00D917878S

(12) **United States Design Patent** (10) **Patent No.:** **US D917,878 S**  
**Huang** (45) **Date of Patent:** **\*\* May 4, 2021**

(54) **HOLSTER**  
(71) Applicant: **Lixin Huang**, Yongzhou (CN)  
(72) Inventor: **Lixin Huang**, Yongzhou (CN)  
(\*\*) Term: **15 Years**  
(21) Appl. No.: **29/757,975**  
(22) Filed: **Nov. 11, 2020**  
(51) **LOC (13) Cl.** ..... **03-01**  
(52) **U.S. Cl.**  
USPC ..... **D3/222**  
(58) **Field of Classification Search**  
USPC ..... D3/222-223; 224/191-193, 197-198,  
224/238, 243-244, 246, 672-674, 587,  
224/665, 682, 901.4, 911-912; 89/34;  
42/106  
CPC .... A45F 3/14; A45F 5/02; A45F 5/021; A45F  
5/022; A45F 2200/05; A45F 2005/05;  
A45F 2200/0591; F41C 33/02; F41C  
33/0209; F41C 33/045; F41C 33/0218;  
F41C 33/041; F41C 33/0254; F41C  
33/0236; F41C 33/0227; F41C 33/0263  
See application file for complete search history.

D798,586 S \* 10/2017 Dara ..... D3/222  
D838,102 S 1/2019 Sereday et al.  
D841,319 S \* 2/2019 Tang ..... D3/222  
D860,641 S 9/2019 Smith et al.  
D912,399 S \* 3/2021 Sun ..... D3/222  
2017/0115095 A1\* 4/2017 Moultrie ..... F41C 33/048

**OTHER PUBLICATIONS**

M&P Shield 9mm Holster, IWB KYDEX Holster Fit: S&W M&P Shield M2.0-9/40-3.1" Barrel, Not Fit Light/Laser, Inside Waistband Holster, Posi-Click Audible Retention Lock System, Adj. Cant&Retention . . . [https://www.amazon.com/Shield-9mm-Holster-IWB-\(Year:2020\).\\*](https://www.amazon.com/Shield-9mm-Holster-IWB-(Year:2020).*/KYDEX/dp/B08HV9BSDF/ref=sr_1_3?dchild=1&keywords=M%26P+Shield+9mm+Holster%2C+IWB+KYDEX+Holster+Fit%3A+S%26W+M%26P+Shield+M2.0-9%2F40-3.1)  
KYDEX/dp/B08HV9BSDF/ref=sr\_1\_3?dchild=1&keywords=M%26P+Shield+9mm+Holster%2C+IWB+KYDEX+Holster+Fit%3A+S%26W+M%26P+Shield+M2.0-9%2F40-3.1"+Barrel%2C+Not+Fit+Light%2FLaser%2C+Inside+Waistband+Holster%2C+Posi-Click+Audible+Retention+Lock+System&qid=1616627148&sr=8-3.\*

\* cited by examiner

*Primary Examiner* — Catherine R Oliver-Garcia

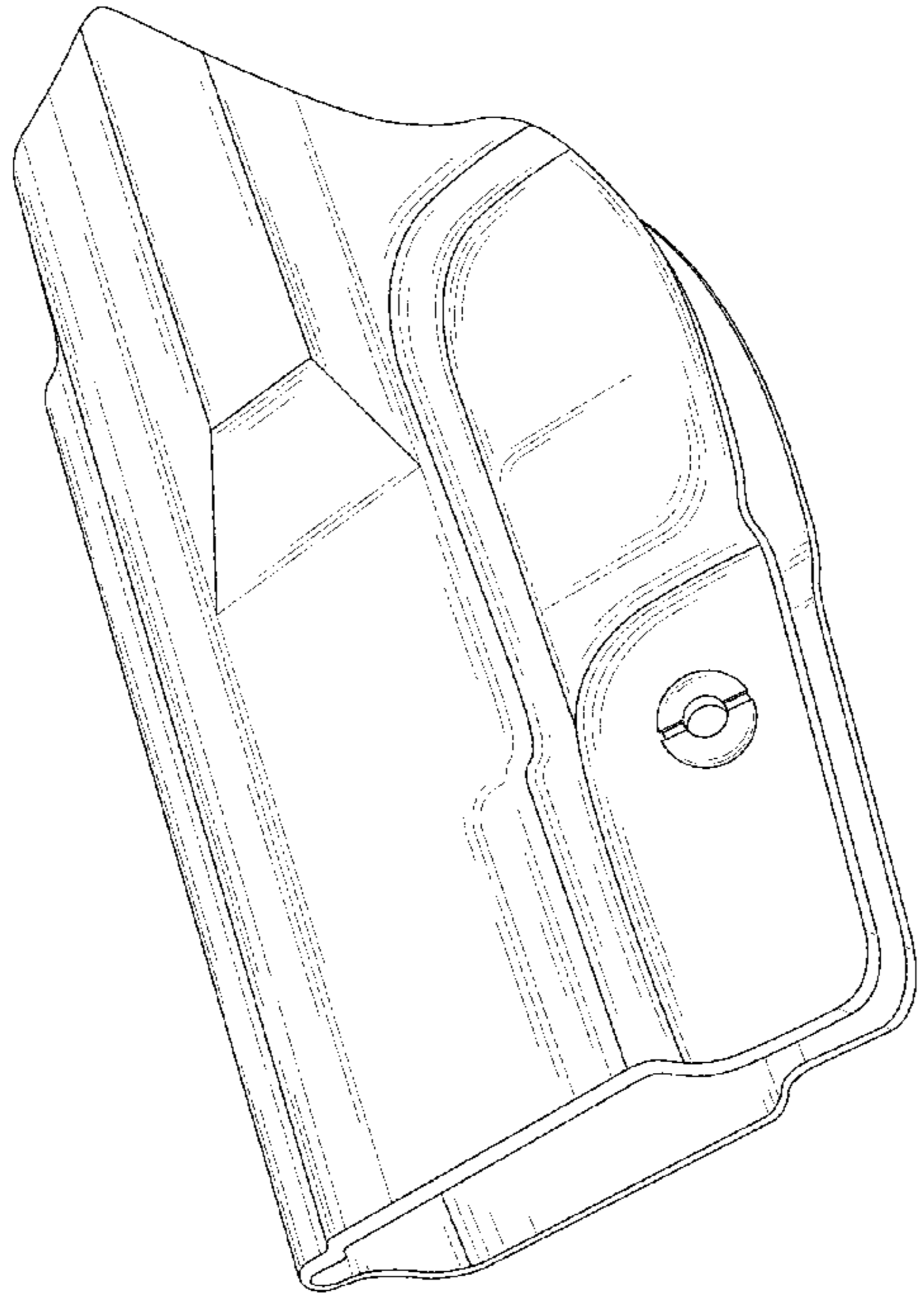
(57) **CLAIM**  
The ornamental design for a holster, as shown and described.

**DESCRIPTION**

FIG. 1 is a perspective view of a holster showing my new design;  
FIG. 2 is another perspective view thereof;  
FIG. 3 is a front view thereof;  
FIG. 4 is a rear view thereof;  
FIG. 5 is a left side view thereof;  
FIG. 6 is a right side view thereof;  
FIG. 7 is a top plan view thereof; and,  
FIG. 8 is a bottom plan view thereof.

**1 Claim, 7 Drawing Sheets**

(56) **References Cited**  
**U.S. PATENT DOCUMENTS**  
D501,991 S \* 2/2005 Cook ..... D3/222  
D512,561 S \* 12/2005 Cook ..... D3/222  
7,841,497 B1 \* 11/2010 Gregory ..... F41C 33/045  
224/243  
8,474,670 B1 \* 7/2013 Gregory ..... F41C 33/045  
224/243  
8,720,755 B2 \* 5/2014 Gregory ..... F41C 33/0263  
224/244



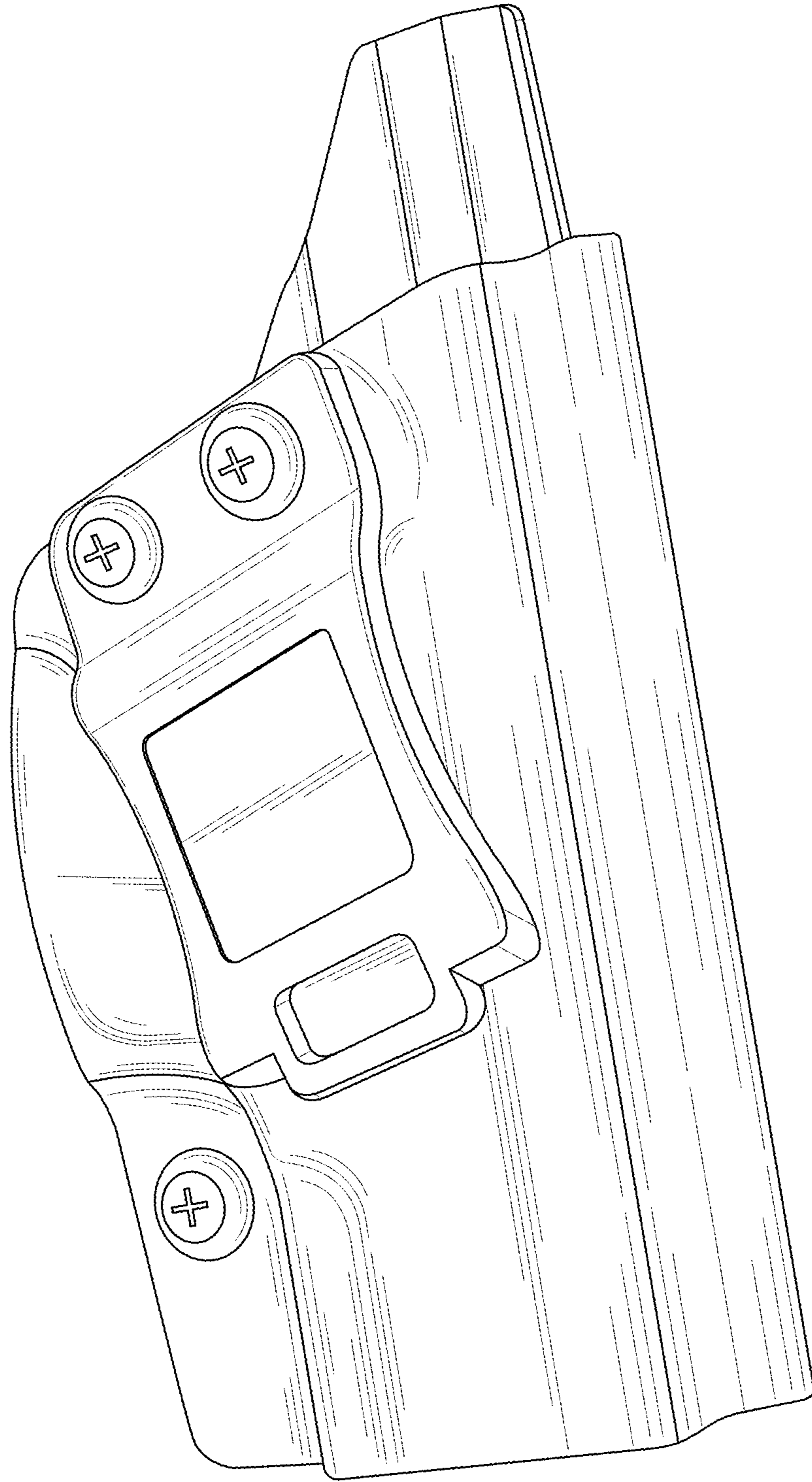


FIG. 1

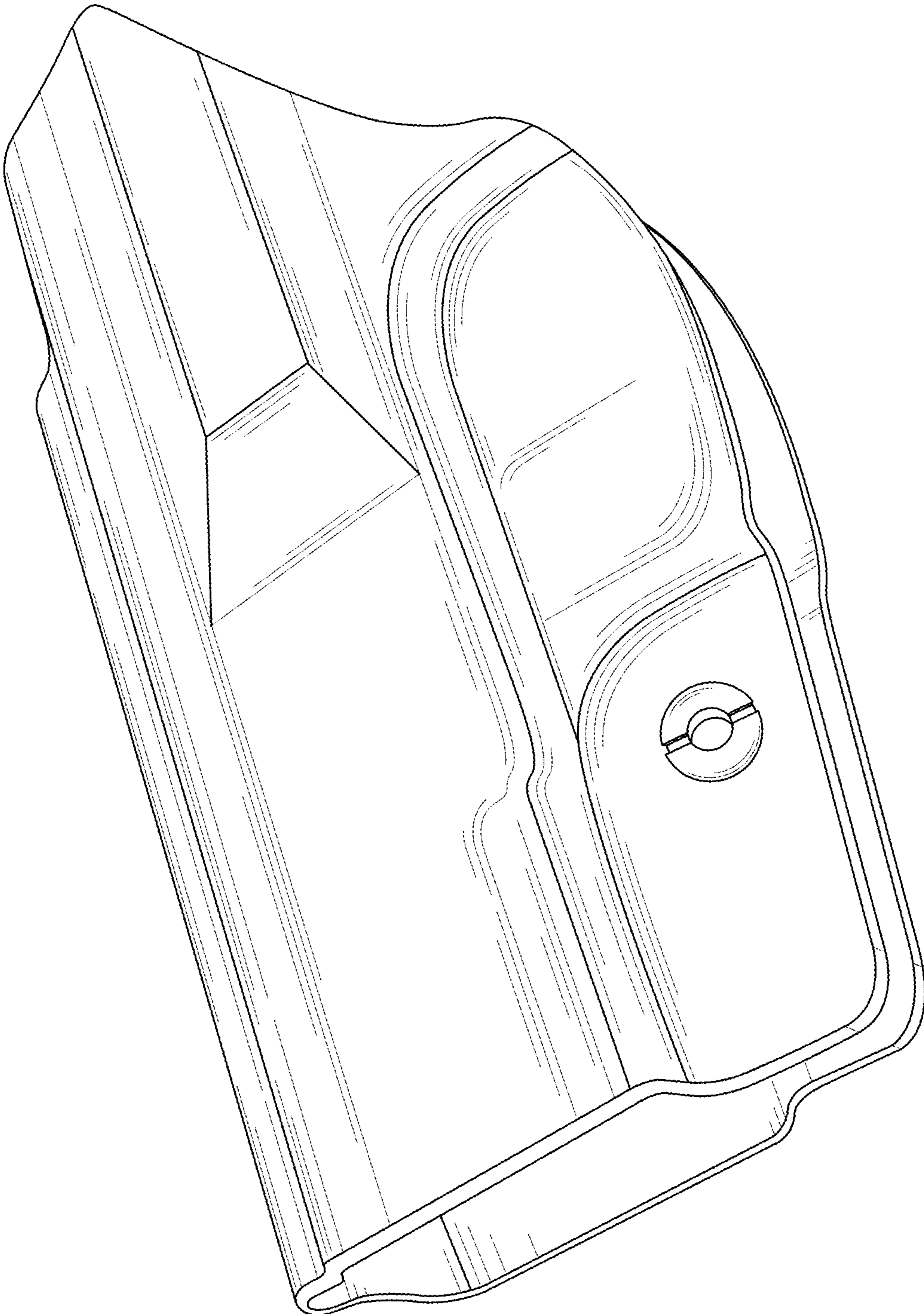


FIG. 2

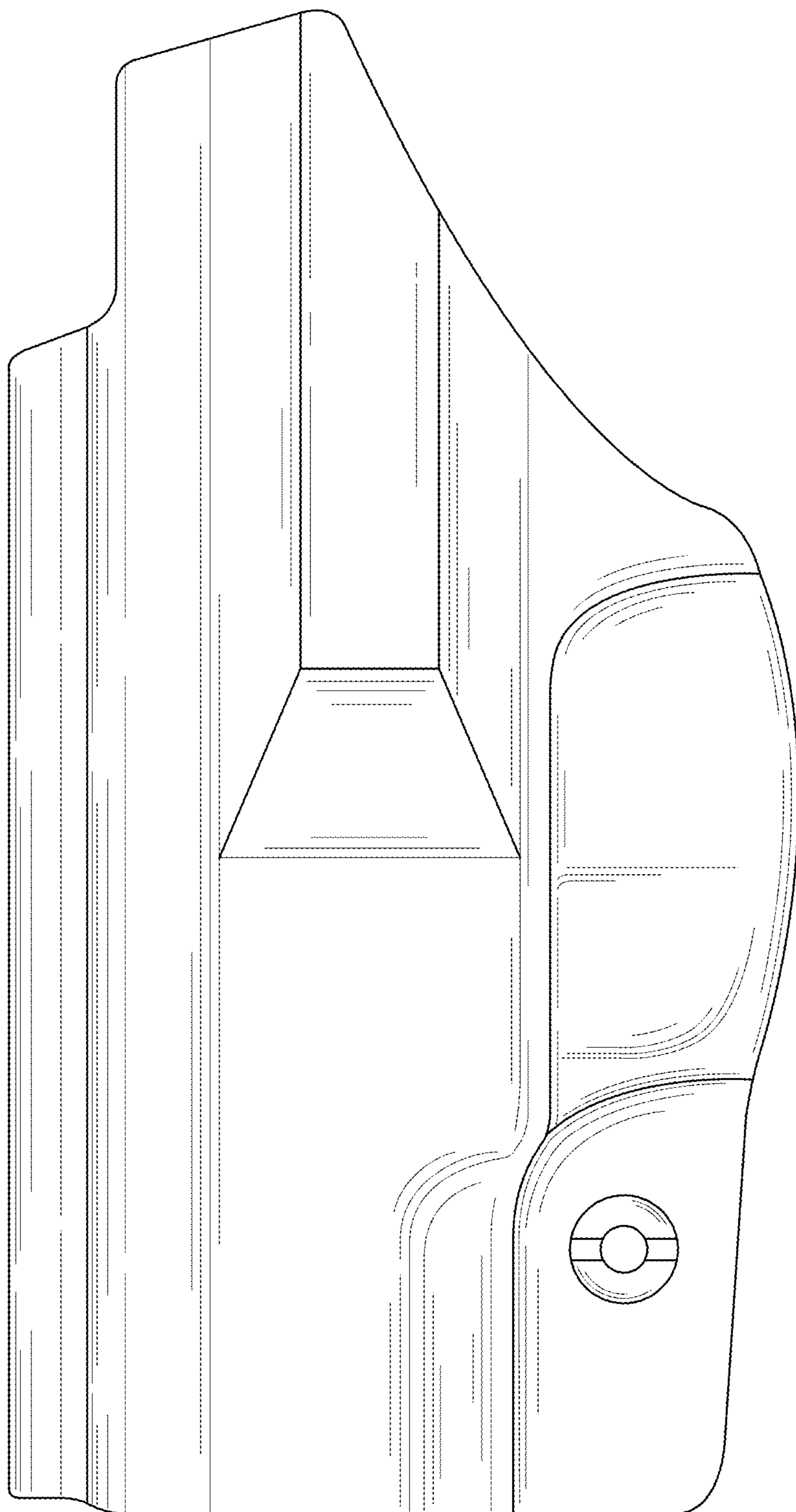


FIG. 3

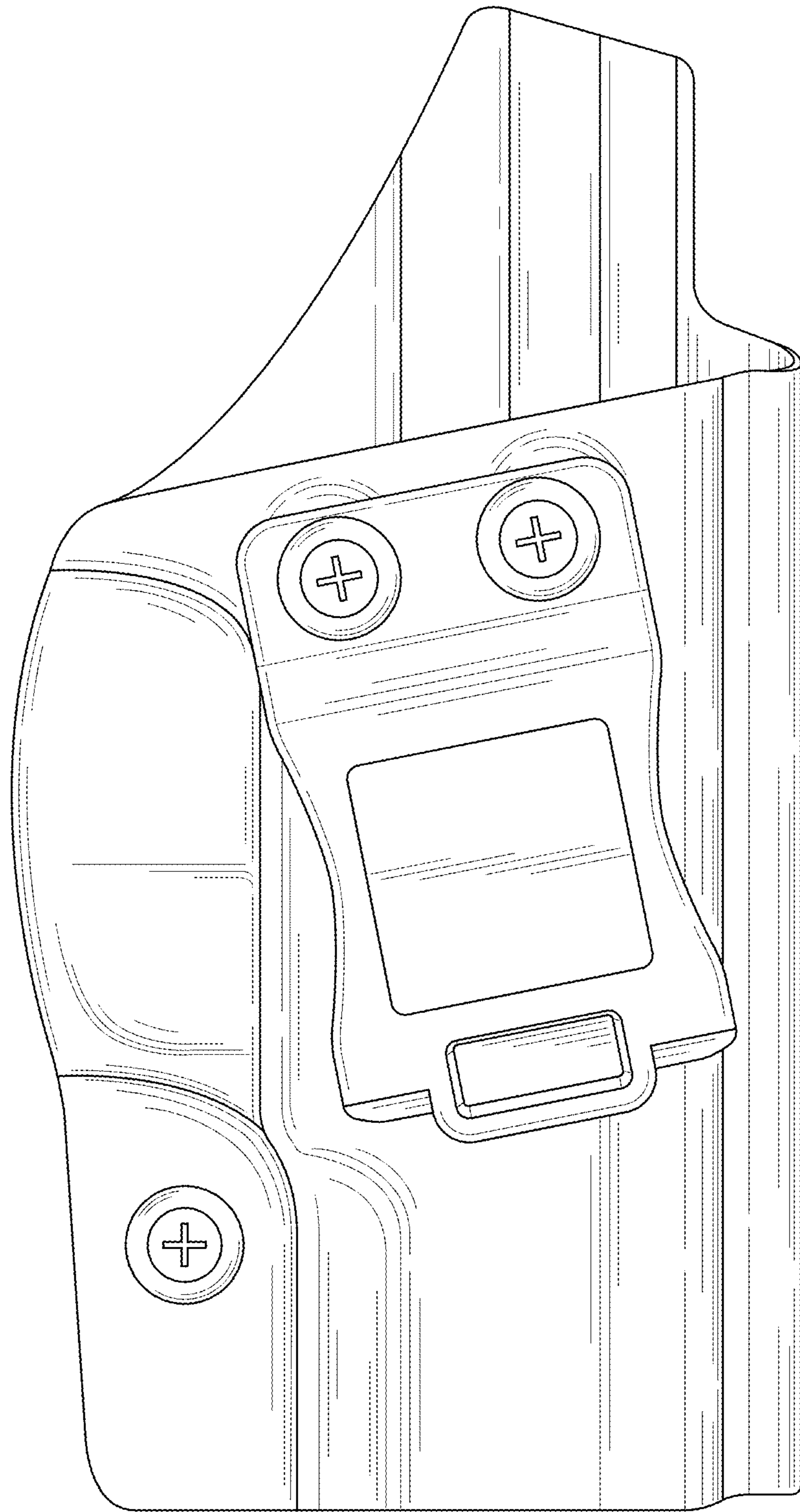


FIG. 4

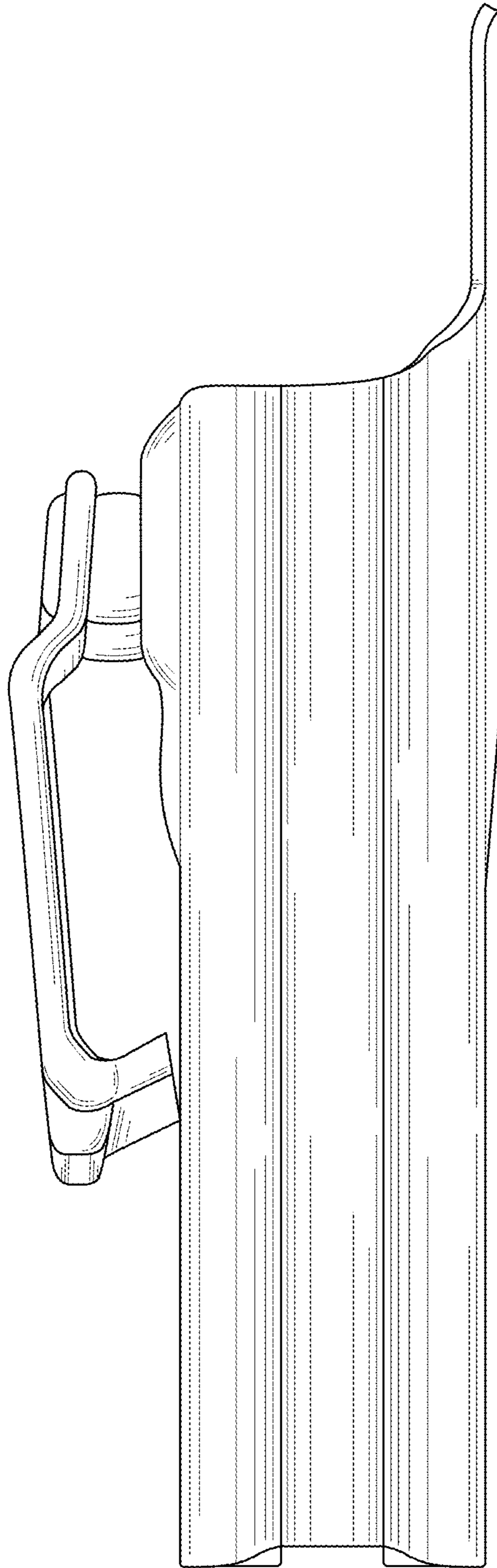


FIG. 5

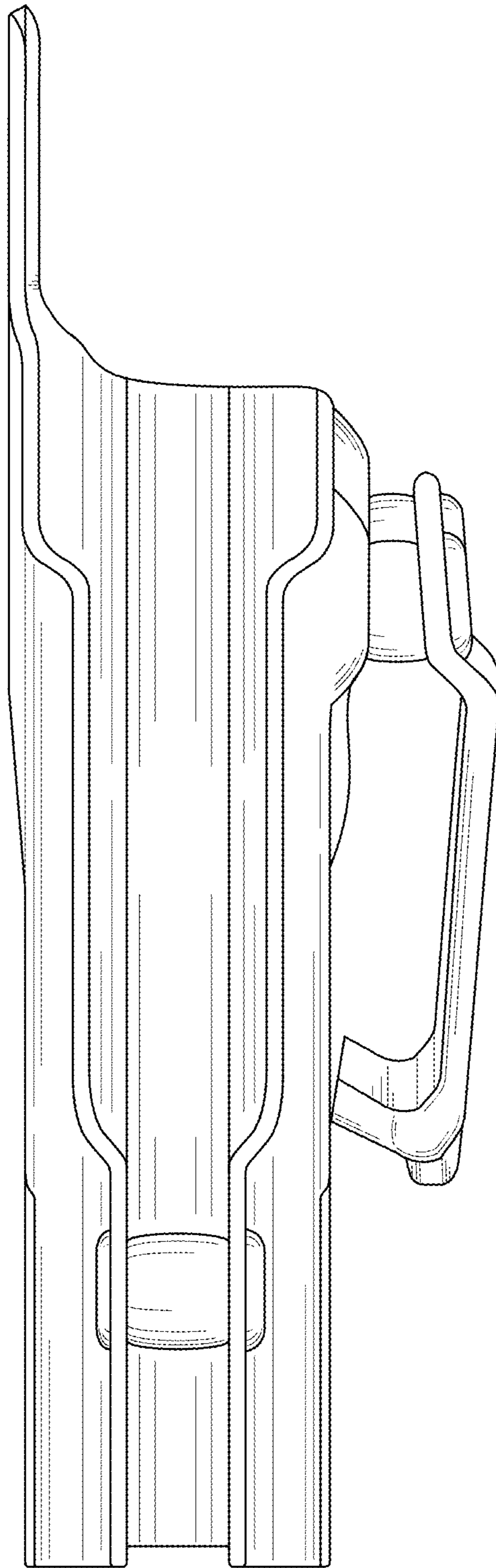


FIG. 6

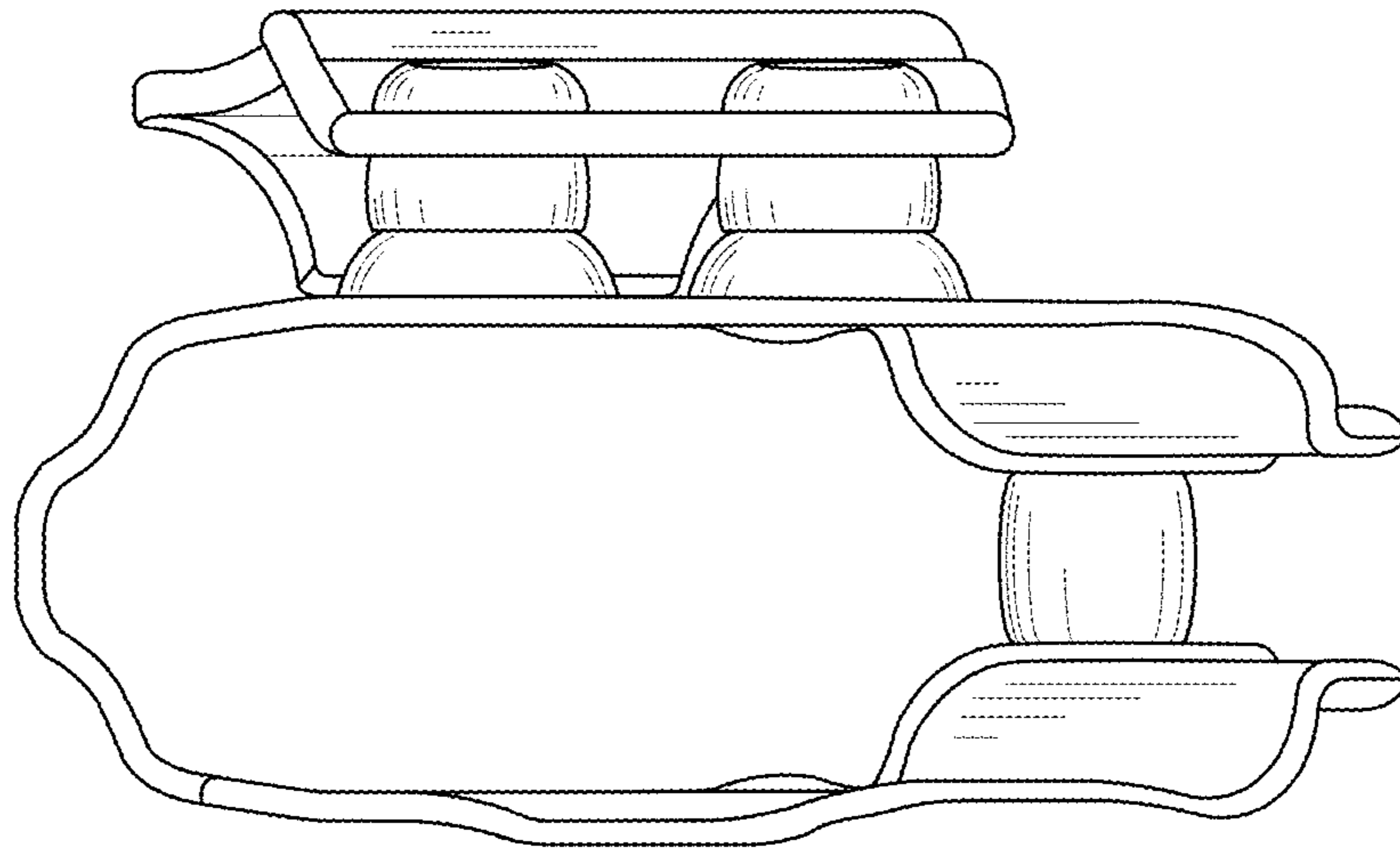


FIG. 7

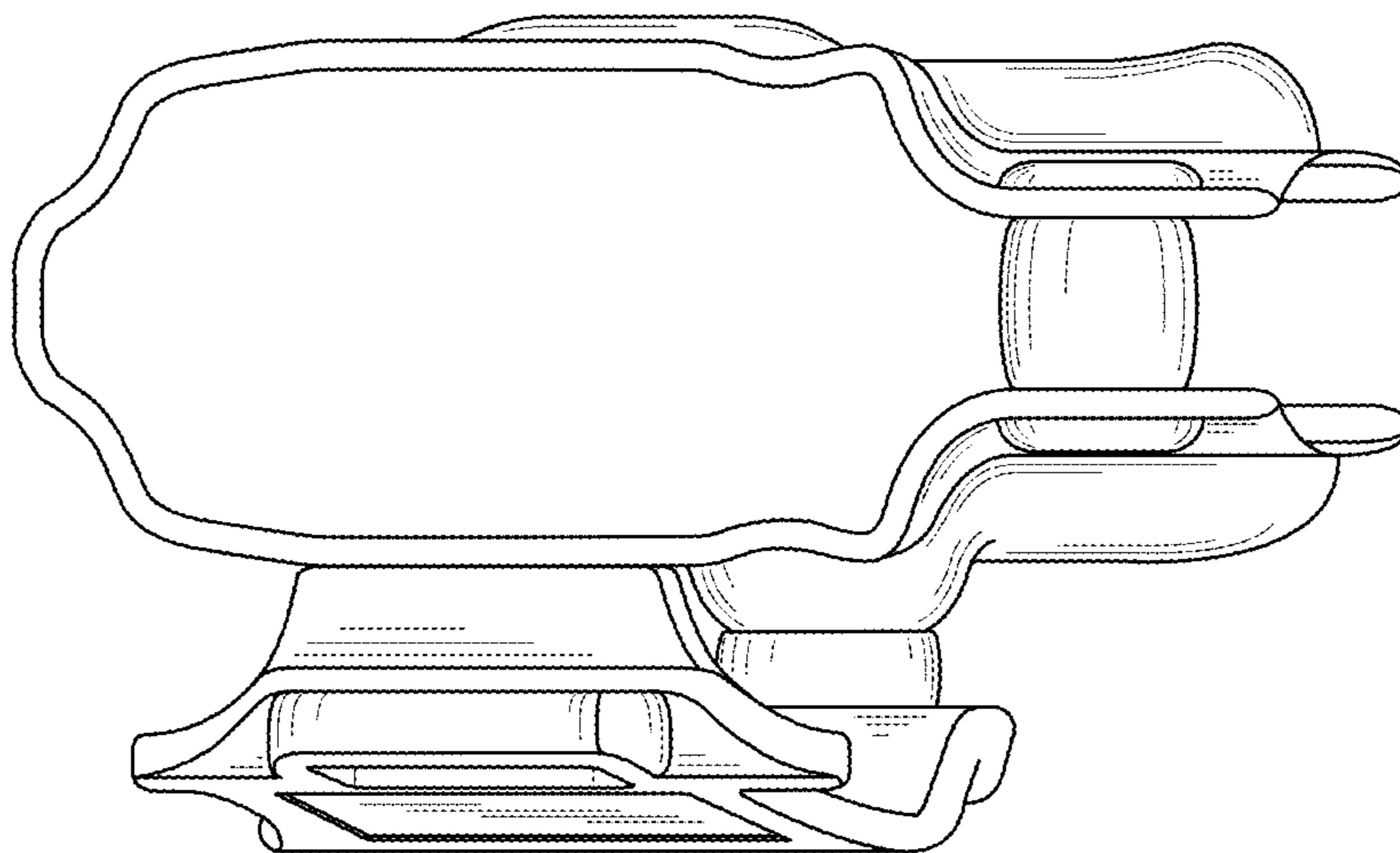


FIG. 8