



US00D917874S

(12) **United States Design Patent** (10) **Patent No.:** **US D917,874 S**  
**Zhang** (45) **Date of Patent:** **\*\* \*May 4, 2021**

(54) **PET CARRYING BAG**  
(71) Applicant: **Chengguo Zhang**, Shanghai (CN)  
(72) Inventor: **Chengguo Zhang**, Shanghai (CN)  
(\* ) Notice: This patent is subject to a terminal disclaimer.  
(\*\*) Term: **15 Years**  
(21) Appl. No.: **29/658,114**  
(22) Filed: **Jul. 27, 2018**  
(51) **LOC (13) Cl.** ..... **03-01**  
(52) **U.S. Cl.**  
USPC ..... **D3/217; D30/108**  
(58) **Field of Classification Search**  
USPC ..... D3/201, 213-219, 221, 224, 225, 229,  
D3/230, 232, 243-246, 254, 318;  
D30/108, 109  
CPC ..... A45F 3/04; A45F 4/02; A45F 2200/0525;  
A45F 2003/045; A45C 11/00; A45C  
13/30; A45C 2011/002; A45C 2011/003;  
A45C 2011/001; A45C 15/00  
See application file for complete search history.

(56) **References Cited**  
U.S. PATENT DOCUMENTS  
D457,307 S \* 5/2002 Pukall ..... D3/216  
6,701,871 B1 \* 3/2004 Johnson ..... A01K 1/0254  
119/453  
D499,514 S \* 12/2004 Doan ..... D30/108  
D506,607 S \* 6/2005 Fonfeder ..... D3/216  
7,210,426 B2 \* 5/2007 Yeung ..... A01K 1/0254  
119/497

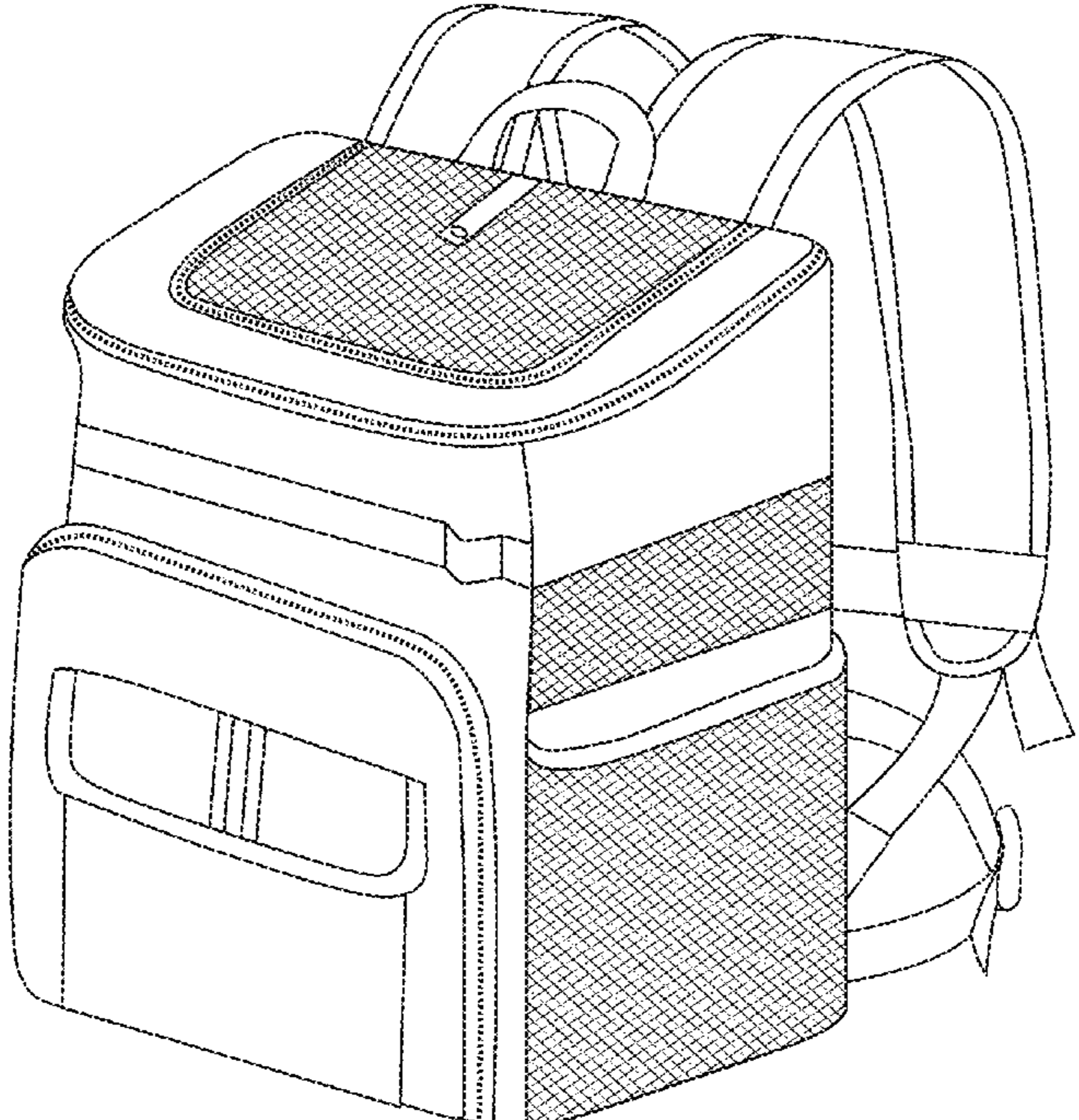
8,171,888 B2 \* 5/2012 Chou ..... A01K 1/0254  
119/497  
D685,952 S \* 7/2013 Dixon ..... D30/109  
D705,497 S \* 5/2014 Renforth ..... D30/108  
D705,996 S \* 5/2014 Renforth ..... D30/108  
D732,246 S \* 6/2015 Eisen ..... D30/109  
D734,942 S \* 7/2015 Robinson ..... D3/217  
D762,059 S \* 7/2016 Kliot ..... D3/217  
D778,595 S \* 2/2017 Zurowski ..... D3/214  
D805,762 S \* 12/2017 Lopez Avila ..... D3/217  
D824,660 S \* 8/2018 Ross ..... D3/217  
D829,436 S \* 10/2018 Benzon ..... D3/217  
D855,900 S \* 8/2019 Lu ..... D30/109  
D856,602 S \* 8/2019 Lu ..... D30/109  
2013/0026204 A1 \* 1/2013 Abramowitz ..... A45C 13/03  
224/613

\* cited by examiner  
*Primary Examiner* — Jennifer L Watkins  
(74) *Attorney, Agent, or Firm* — Yanling Jiang

(57) **CLAIM**  
The ornamental design for the pet carrying bag, as shown and described.

**DESCRIPTION**  
FIG. 1 is a front left perspective view of a pet carrying bag showing my new design;  
FIG. 2 is a front elevational view thereof;  
FIG. 3 is a top plan view thereof;  
FIG. 4 is a left side elevational view thereof;  
FIG. 5 is a rear elevational view thereof;  
FIG. 6 is a bottom plan view thereof;  
FIG. 7 is a right side elevational view thereof; and,  
FIG. 8 is a front right perspective view thereof.  
The broken lines depict claimed zipper tread and form no part of the claimed design.

**1 Claim, 8 Drawing Sheets**



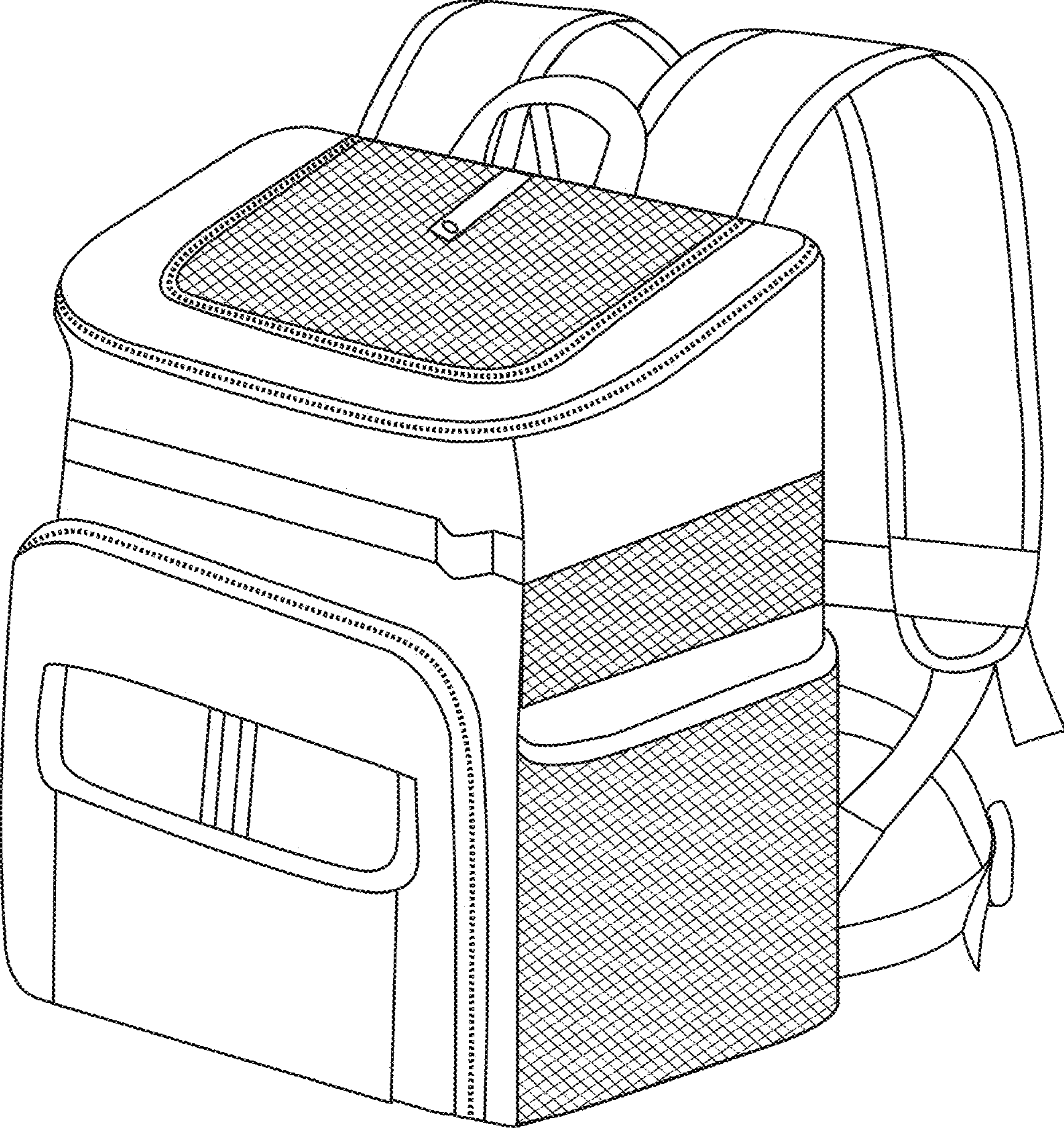


FIG. 1

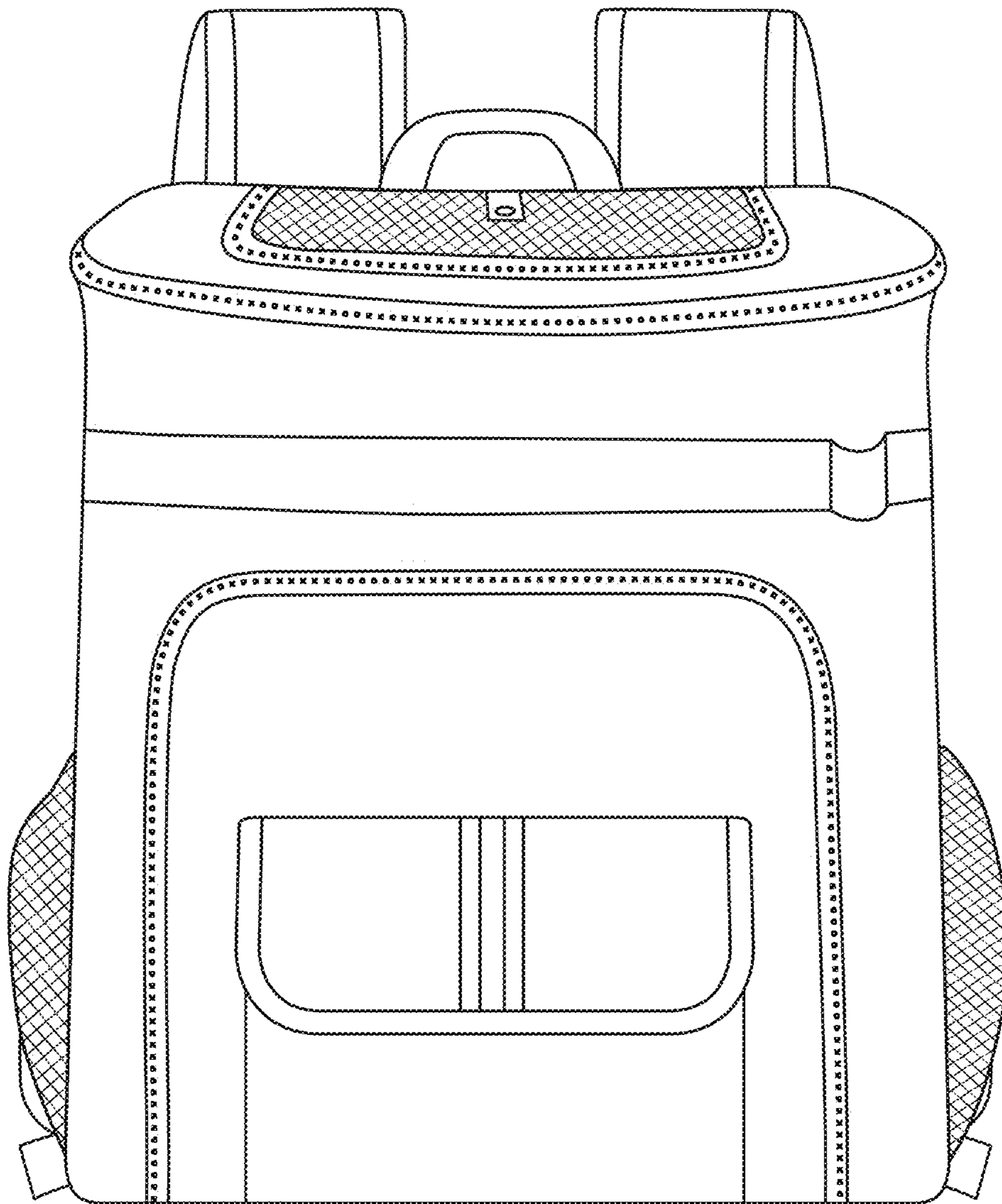


FIG. 2

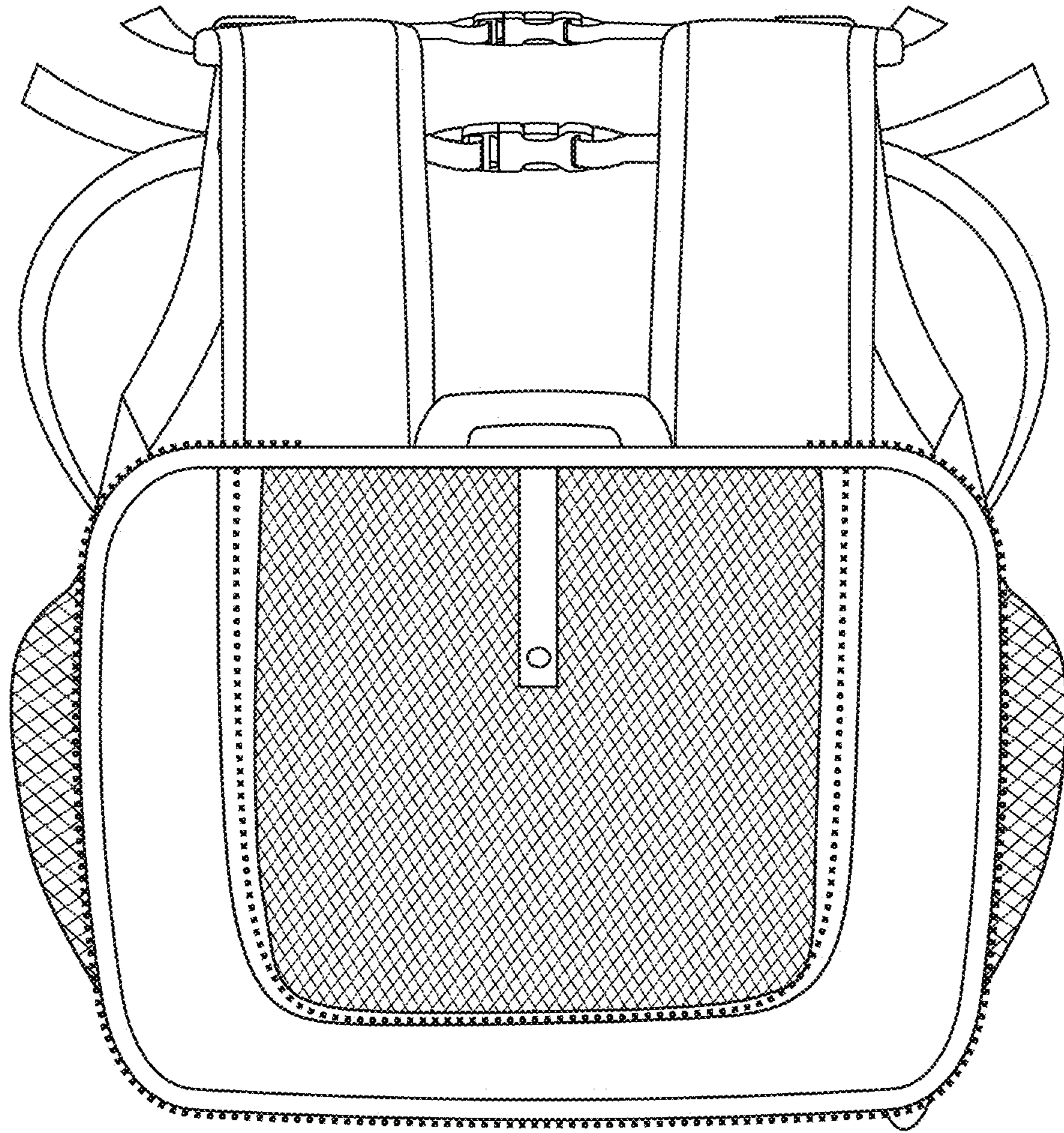


FIG. 3

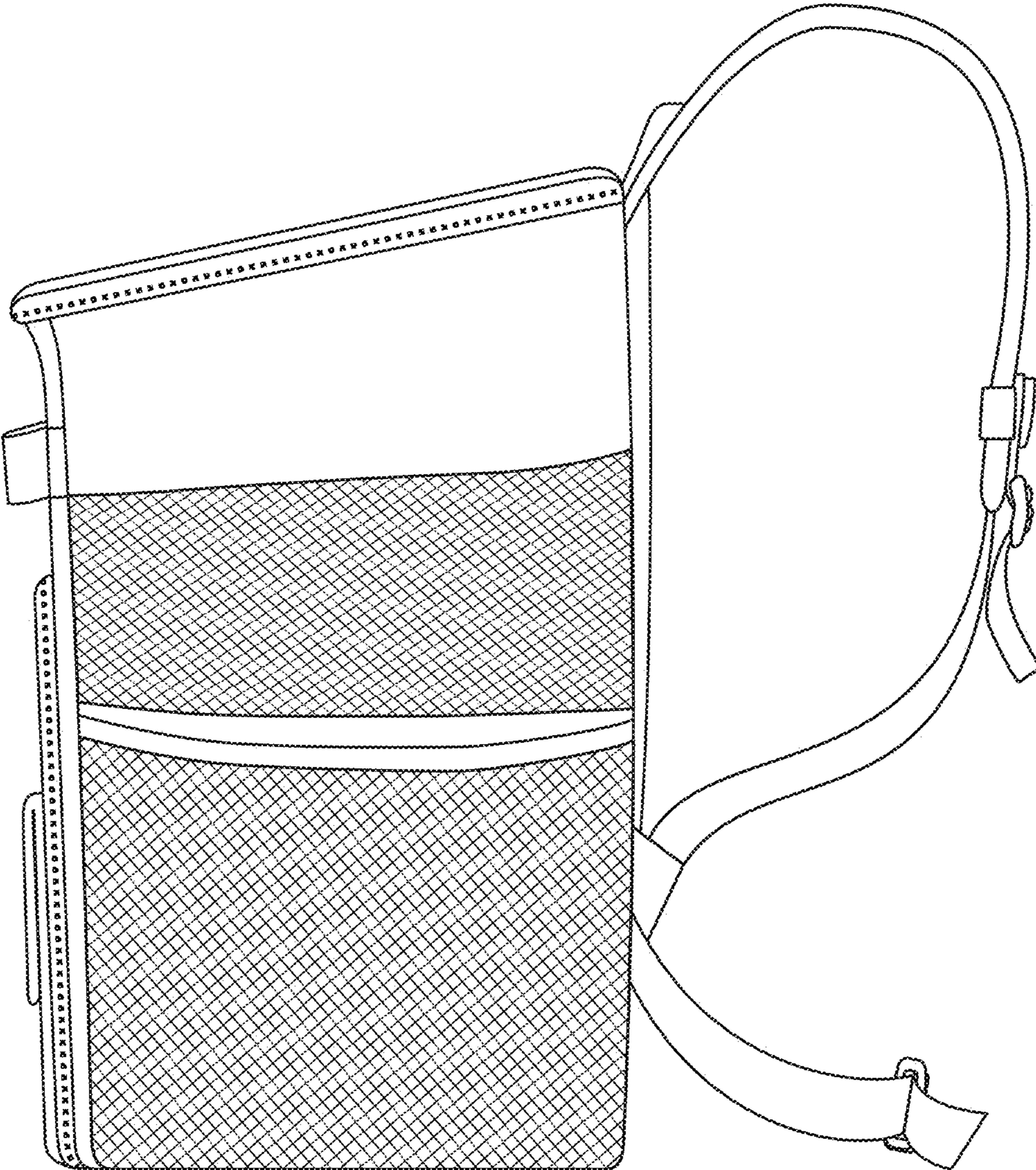


FIG. 4

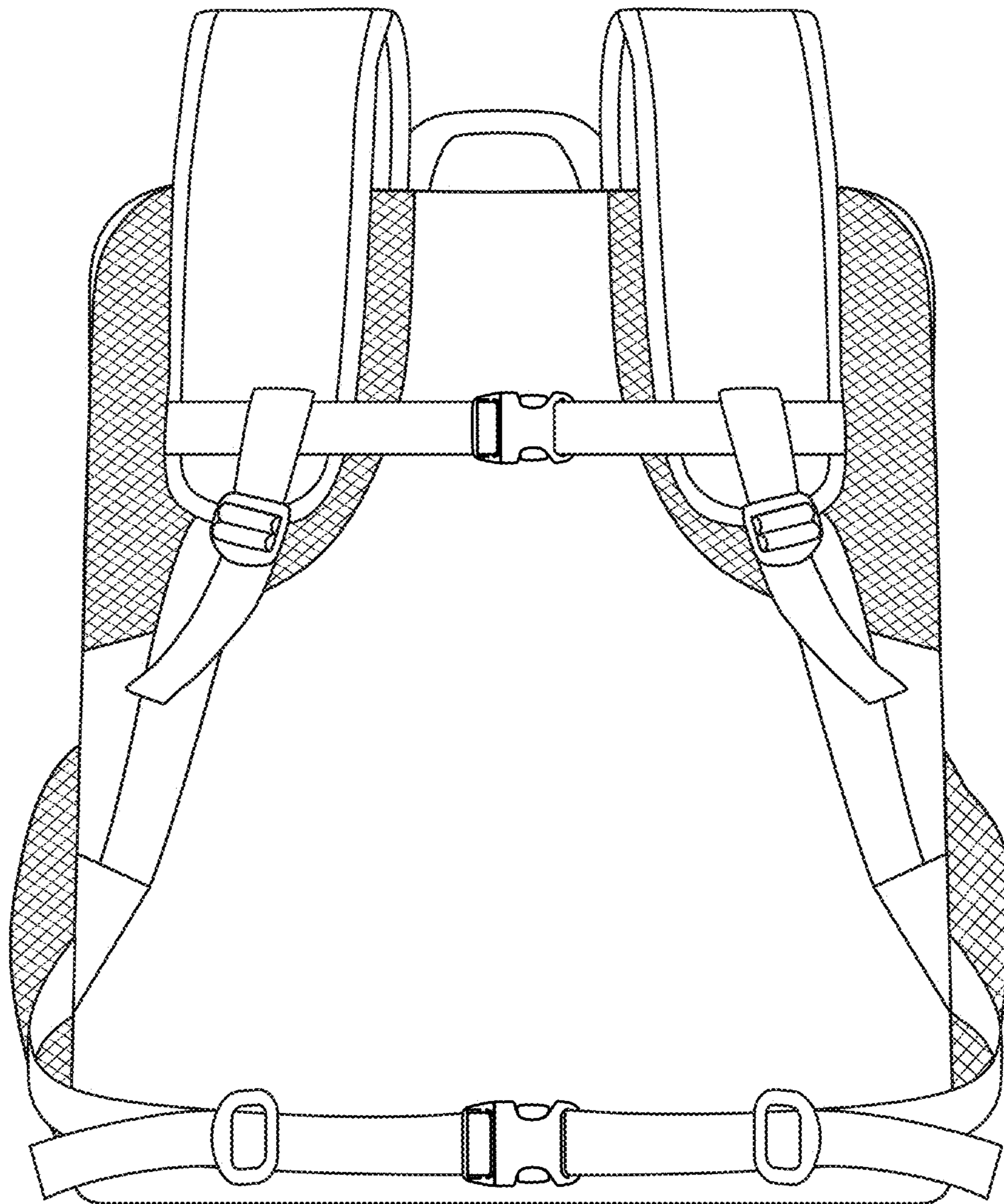


FIG. 5

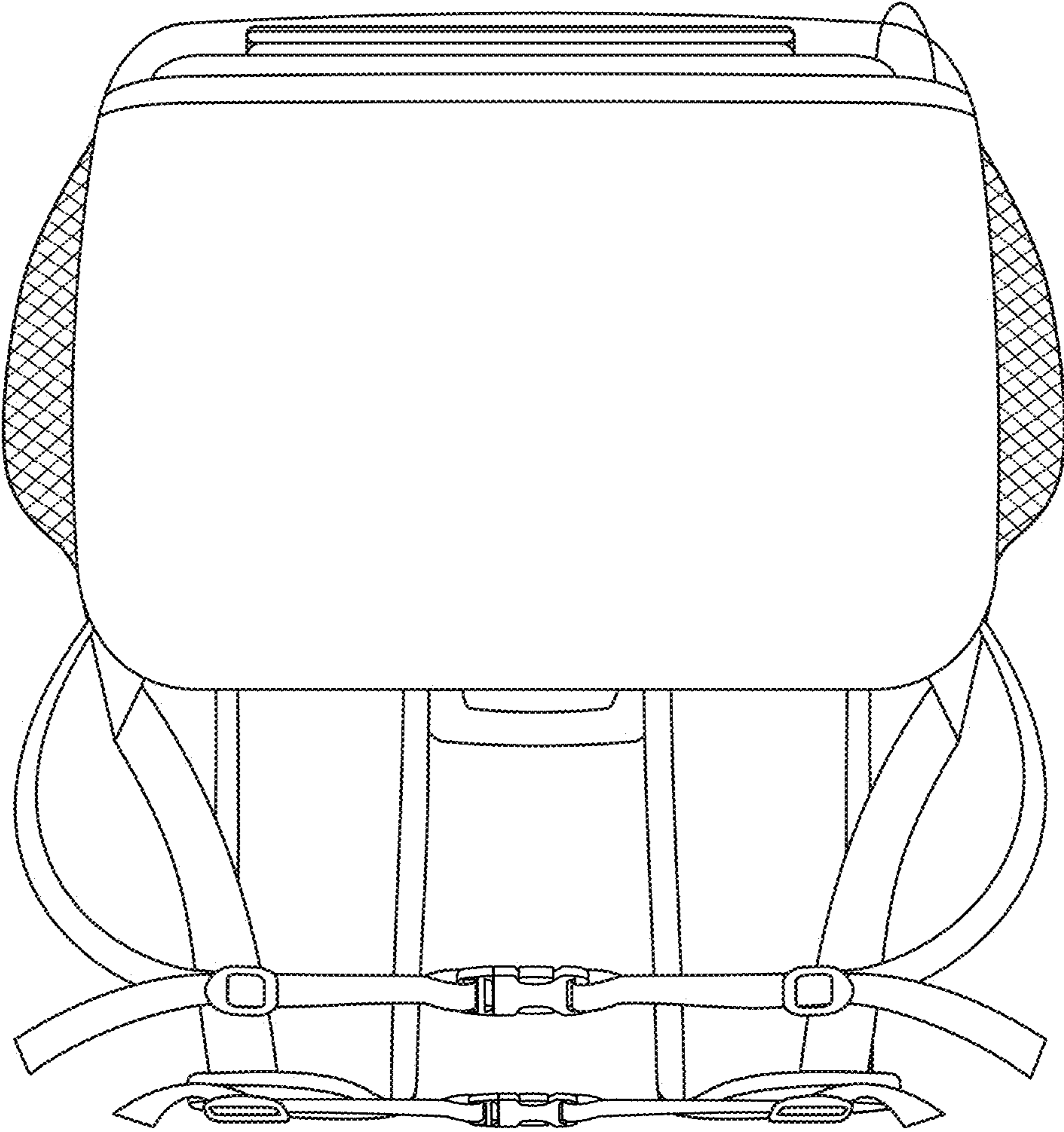


FIG. 6

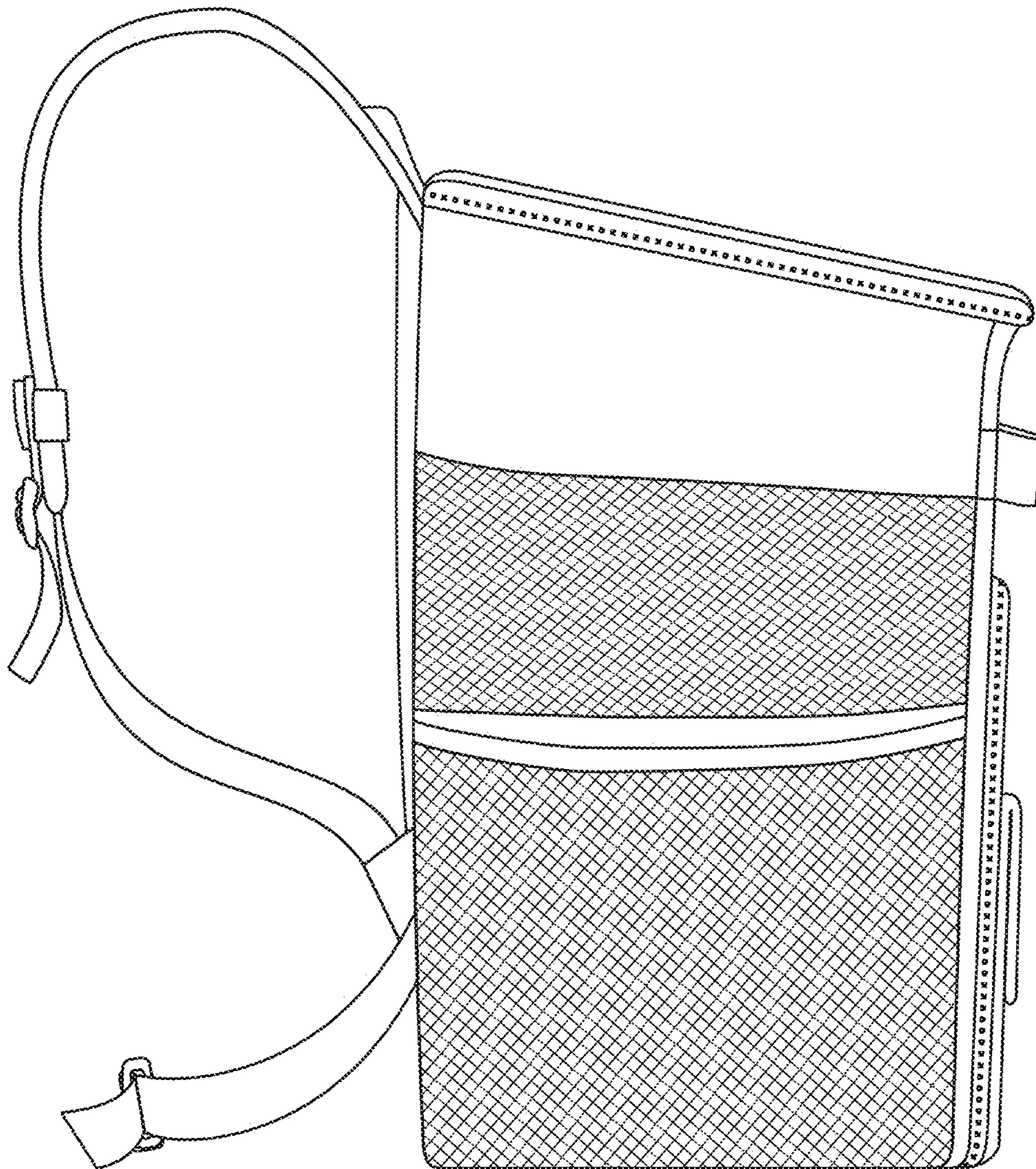


FIG. 7



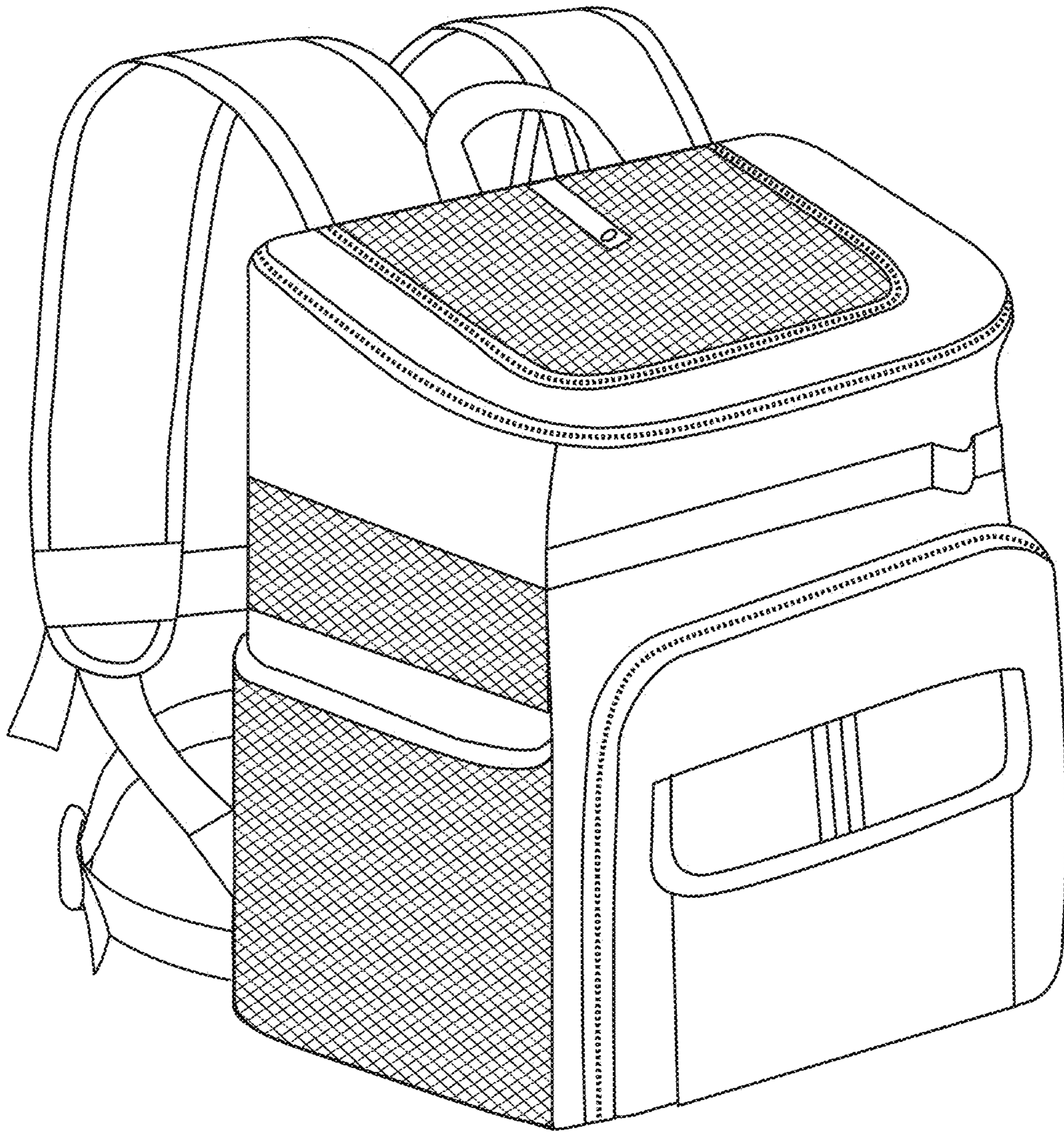


FIG. 8