



US00D917856S

(12) **United States Design Patent**
Gaboriault et al.

(10) **Patent No.:** **US D917,856 S**

(45) **Date of Patent:** **** May 4, 2021**

(54) **SHOE**

(71) Applicant: **Reebok International Limited**, London (GB)

(72) Inventors: **Dennis Gaboriault**, Millbury, MA (US); **Matthew Costa**, Mattapoisett, MA (US); **Ricardo Vestuti**, Providence, RI (US)

(73) Assignee: **Reebok International Limited**, London (GB)

(**) Term: **15 Years**

(21) Appl. No.: **29/708,154**

(22) Filed: **Oct. 3, 2019**

(51) **LOC (13) Cl.** **02-04**

(52) **U.S. Cl.**

USPC **D2/955**; D2/947; D2/951; D2/953

(58) **Field of Classification Search**

USPC D2/902, 906, 908, 916, 918, 925, D2/946-962, 977; 36/1, 1.5, 3 B, 22 R, 36/24.5, 25 R, 28, 32 R, 34 R, 59 C, 36/67 A, 101-107, 114-116, 117.3, 117.4, 36/124-136

CPC A43B 13/00; A43B 13/02; A43B 13/023; A43B 13/026; A43B 13/04; A43B 13/08; A43B 13/10; A43B 13/12; A43B 13/14; A43B 13/141; A43B 13/143; A43B 13/16; A43B 13/18; A43B 13/181; A43B 13/187; A43B 13/189; A43B 13/20; A43B 13/22; A43B 13/223; A43B 13/24; A43B 13/28; A43B 13/30; A43B 13/32; A43B 13/34; A43B 13/36

See application file for complete search history.

(56) **References Cited**

U.S. PATENT DOCUMENTS

D399,040 S * 10/1998 Merceron D2/954
D573,334 S * 7/2008 Petrie D2/953

D608,997 S * 2/2010 Loverin D2/956
D631,238 S * 1/2011 Loverin D2/956
D651,788 S * 1/2012 Raysse D2/954
D652,613 S * 1/2012 Raysse D2/954
D656,720 S * 4/2012 Wawrousek D2/954
D661,882 S * 6/2012 Raysse D2/954
D662,295 S * 6/2012 Raysse D2/954
D662,700 S * 7/2012 Raysse D2/954
D663,929 S * 7/2012 Teng-Lee D2/954

(Continued)

OTHER PUBLICATIONS

Reebok Announces Robotics Sneaker Factory, 2D-Printed Shoes, SoleCollector.com, By Brendan Dunne, Oct. 20, 2016, [online], [site visited Dec. 4, 2020], <URL: https://solecollector.com/news/2016/10/reebok-liquid-factory-speed-3d-printed-shoe> (Year: 2016).*

(Continued)

Primary Examiner — T Chase Nelson

Assistant Examiner — Jonathan J. Han

(74) *Attorney, Agent, or Firm* — Sterne, Kessler, Goldstein & Fox P.L.L.C.

(57)

CLAIM

The ornamental design for a shoe, as shown and described.

DESCRIPTION

FIG. 1 is a bottom perspective view of a shoe showing the claimed design;

FIG. 2 is a front view thereof;

FIG. 3 is a rear view thereof;

FIG. 4 is a left side view thereof;

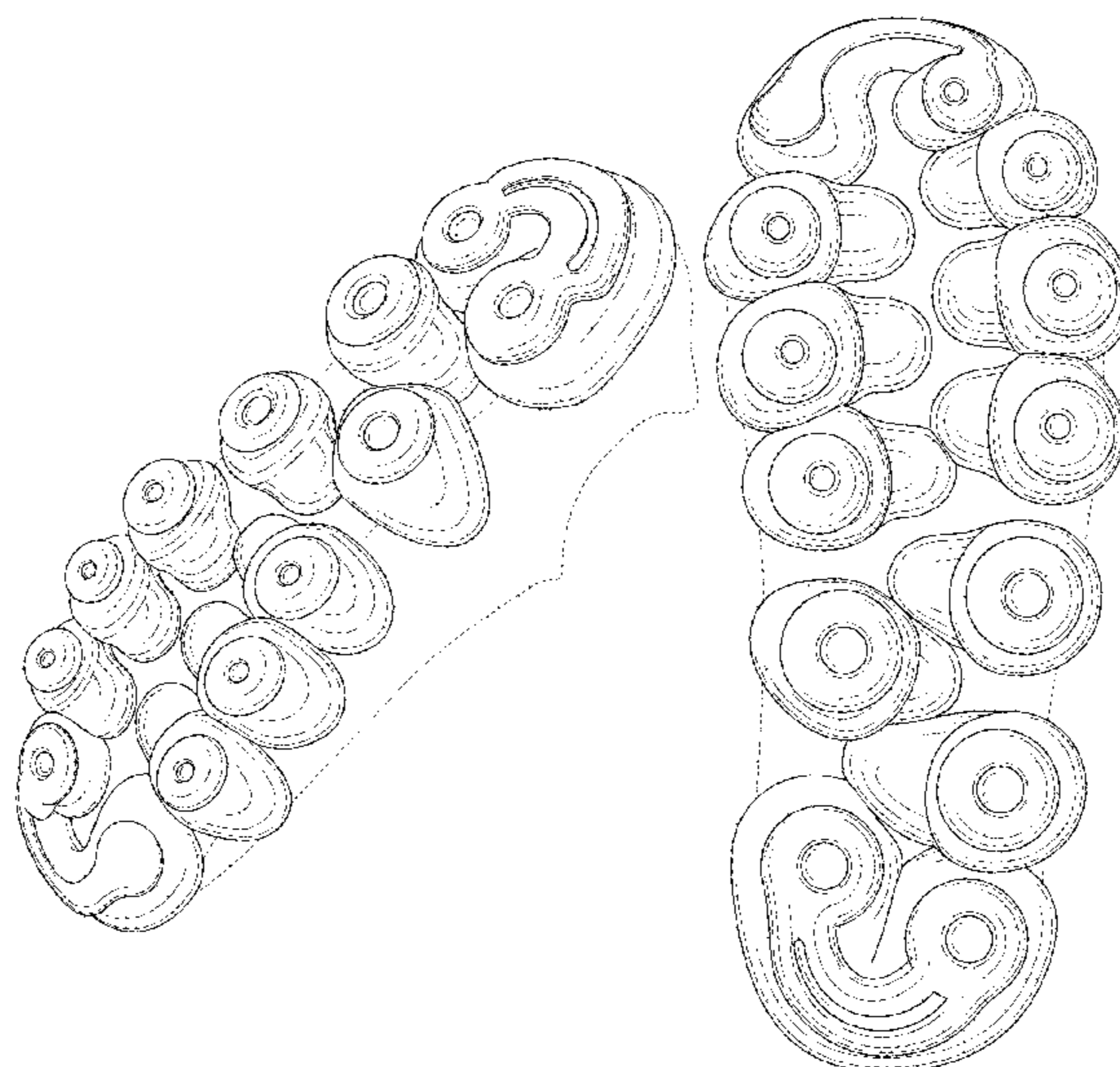
FIG. 5 is a right side view thereof;

FIG. 6 is a top view thereof; and,

FIG. 7 is a bottom view thereof.

The broken lines in the figures show portions of the shoe that form no part of the claimed design.

1 Claim, 6 Drawing Sheets



(56)

References Cited

U.S. PATENT DOCUMENTS

D667,206 S * 9/2012 Teng-Lee D2/954
 D667,618 S * 9/2012 Raysse D2/954
 D679,488 S * 4/2013 Raysse D2/954
 D680,312 S * 4/2013 Raysse D2/954
 D683,941 S * 6/2013 Raysse D2/954
 D685,984 S * 7/2013 Raysse D2/954
 D693,550 S 11/2013 Montross et al.
 D693,551 S 11/2013 Montross et al.
 D707,930 S * 7/2014 Raysse D2/954
 D711,636 S 8/2014 Christensen et al.
 D712,123 S * 9/2014 Goldman D2/954
 D716,025 S * 10/2014 Seo D2/954
 D719,329 S * 12/2014 Smith D2/954
 D723,774 S * 3/2015 Raysse D2/954
 D730,638 S * 6/2015 Christensen D2/954
 D734,601 S * 7/2015 Montross D2/955
 D745,256 S * 12/2015 Montross D2/954
 D748,384 S * 2/2016 Raysse D2/954
 D755,489 S * 5/2016 Christopherson D2/954
 D776,411 S * 1/2017 Christensen D2/954
 D783,248 S * 4/2017 Woodman D2/954
 D802,898 S * 11/2017 Montross D2/954
 D804,790 S * 12/2017 de Montgolfier D2/954
 D833,129 S * 11/2018 Fudalik D2/954
 D852,480 S * 7/2019 Kaiserswerth D2/954
 D858,063 S * 9/2019 Retelle D2/956

D858,064 S * 9/2019 O'Shea D2/956
 D858,964 S 9/2019 Vestuti et al.
 D859,799 S 9/2019 Vestuti et al.
 D870,426 S * 12/2019 Zeng D2/943
 D882,229 S * 4/2020 Bembury D2/956
 2006/0225305 A1 * 10/2006 Morgan A43B 1/0027
 36/59 R
 2010/0126043 A1 * 5/2010 Loverin A43B 7/1455
 36/103
 2011/0016750 A1 * 1/2011 Crowley, II A43B 13/41
 36/103
 2012/0073160 A1 * 3/2012 Marvin A43B 13/184
 36/28
 2014/0013617 A1 * 1/2014 Montross A43B 13/184
 36/28

OTHER PUBLICATIONS

Material Matters: Outwit, Outsole, Outlast, SneakerFreaker.com, Jun. 9, 2017, Article by Adam Jane, [online], [site visited Dec. 4, 2020], <URL: <https://www.sneakerfreaker.com/features/material-matters/material-matters-outwit-outsole-outlast?page=0>> (Year: 2017).*

Reebok ATV 19+: The Most Ridiculous Shoe Ever?, RunBlogger.com, Jan. 25, 2013 By Peter Larson, [online], [site visited Dec. 4, 2020], <URL: <https://runblogger.com/2013/01/reebok-atv-19-most-ridiculous-shoe-ever.html>> (Year: 2013).*

* cited by examiner

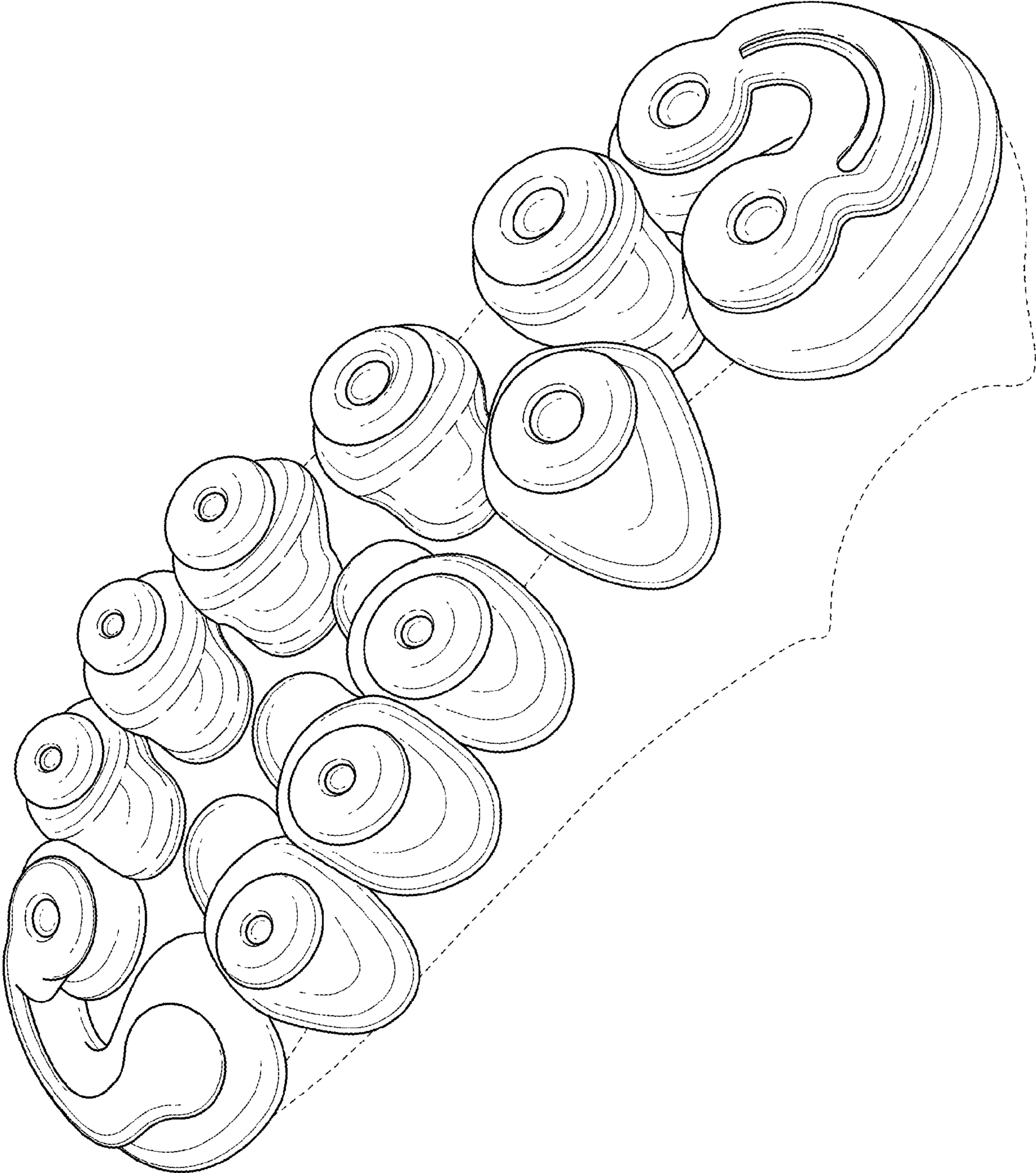


FIG. 1

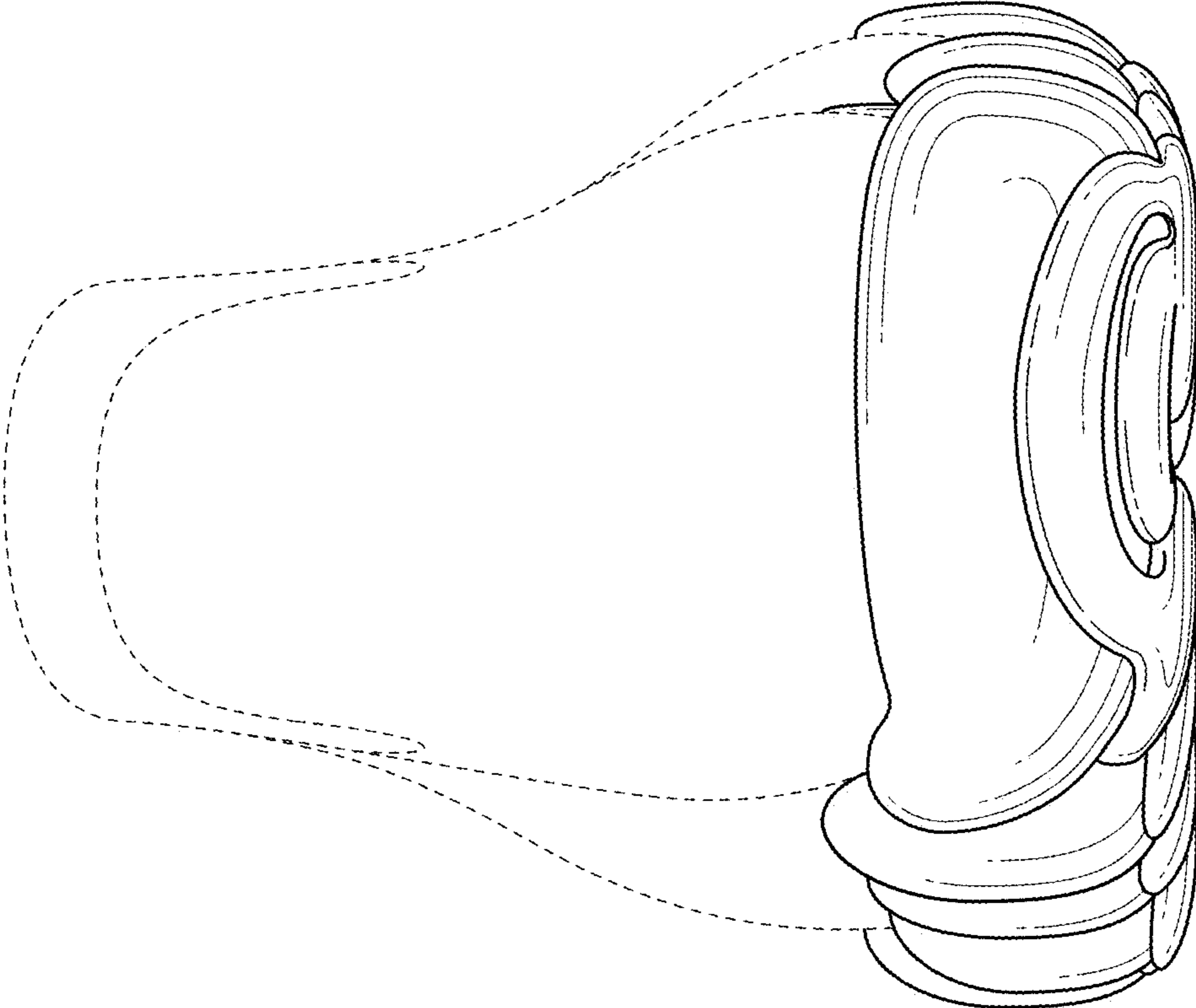


FIG. 3

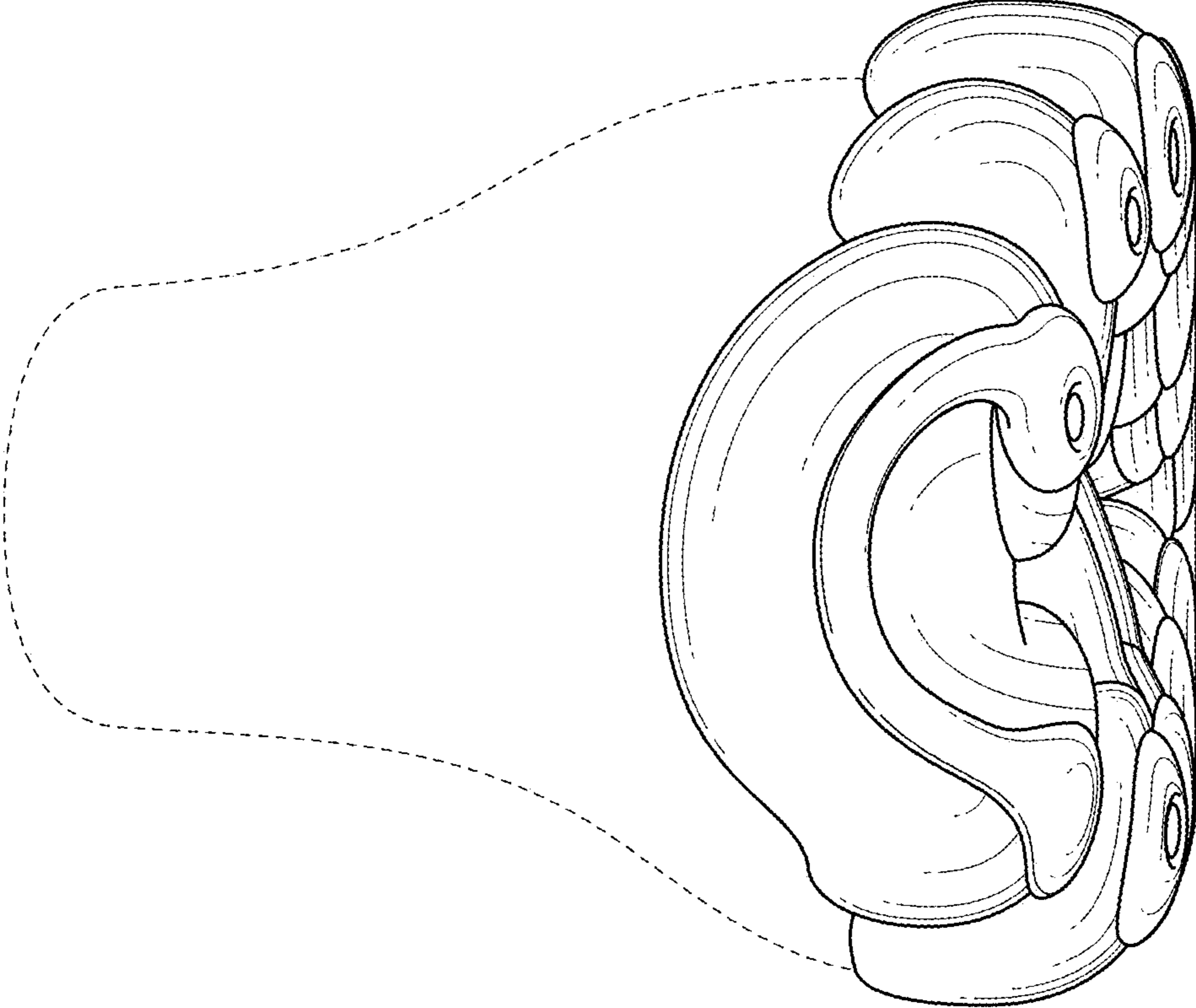


FIG. 2

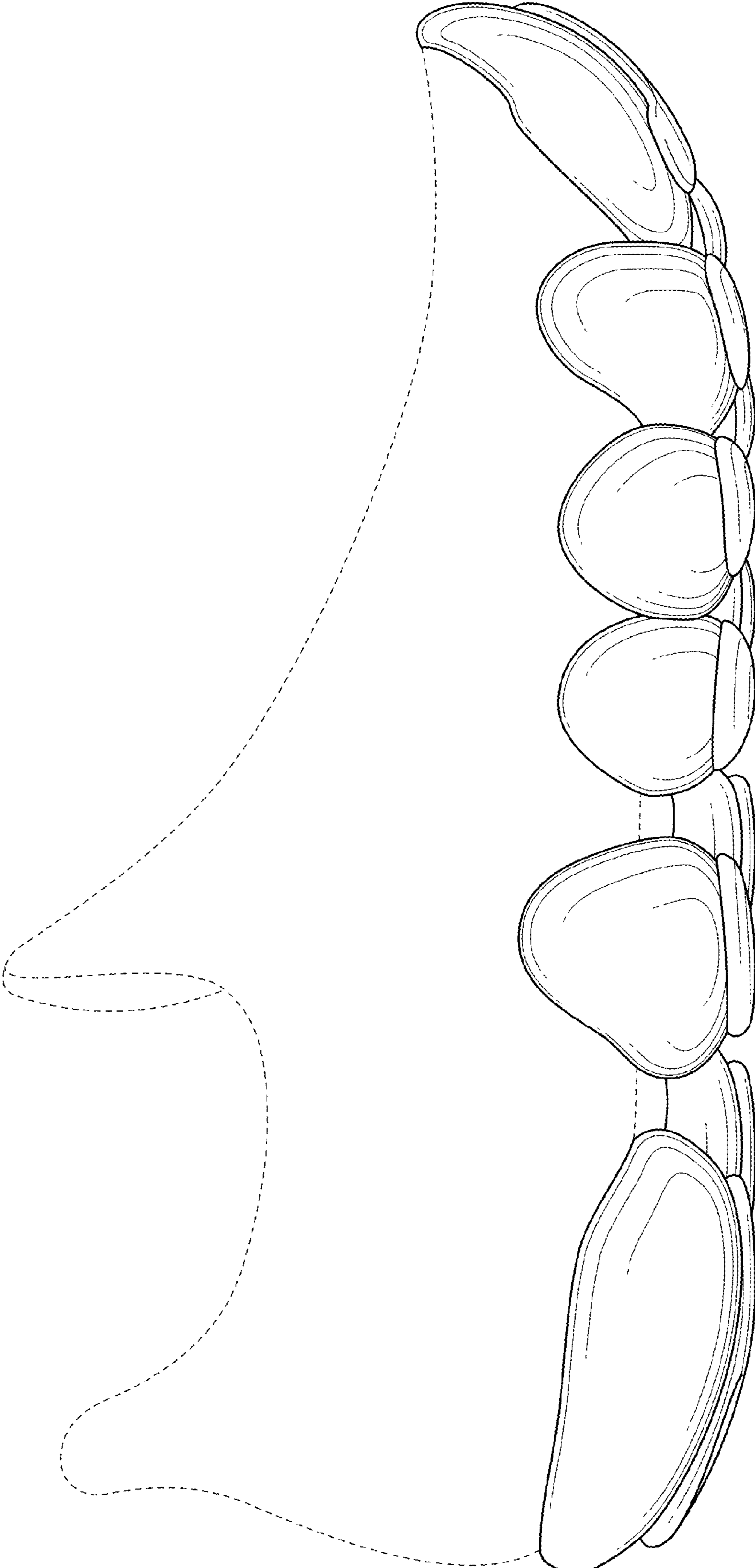


FIG. 4

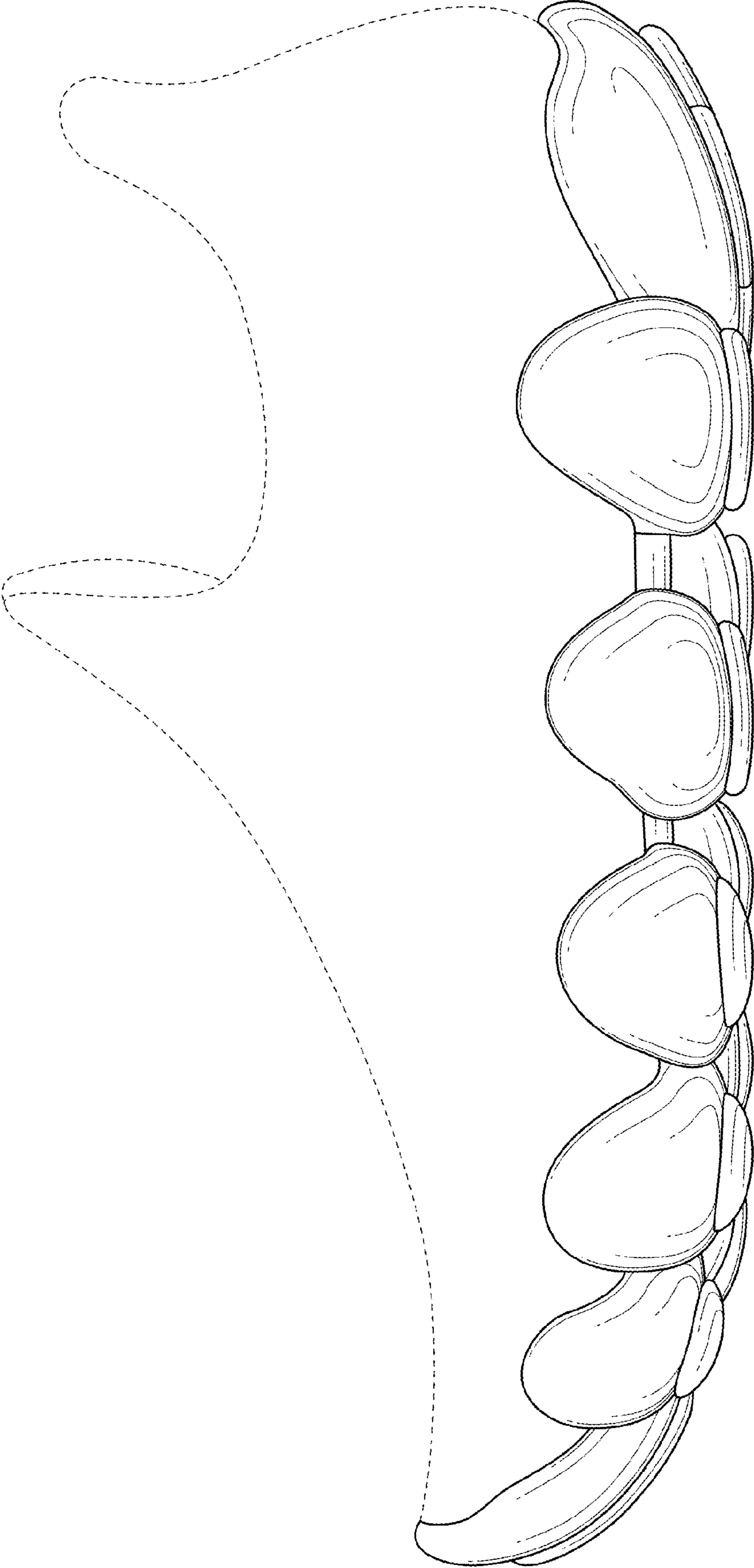


FIG. 5

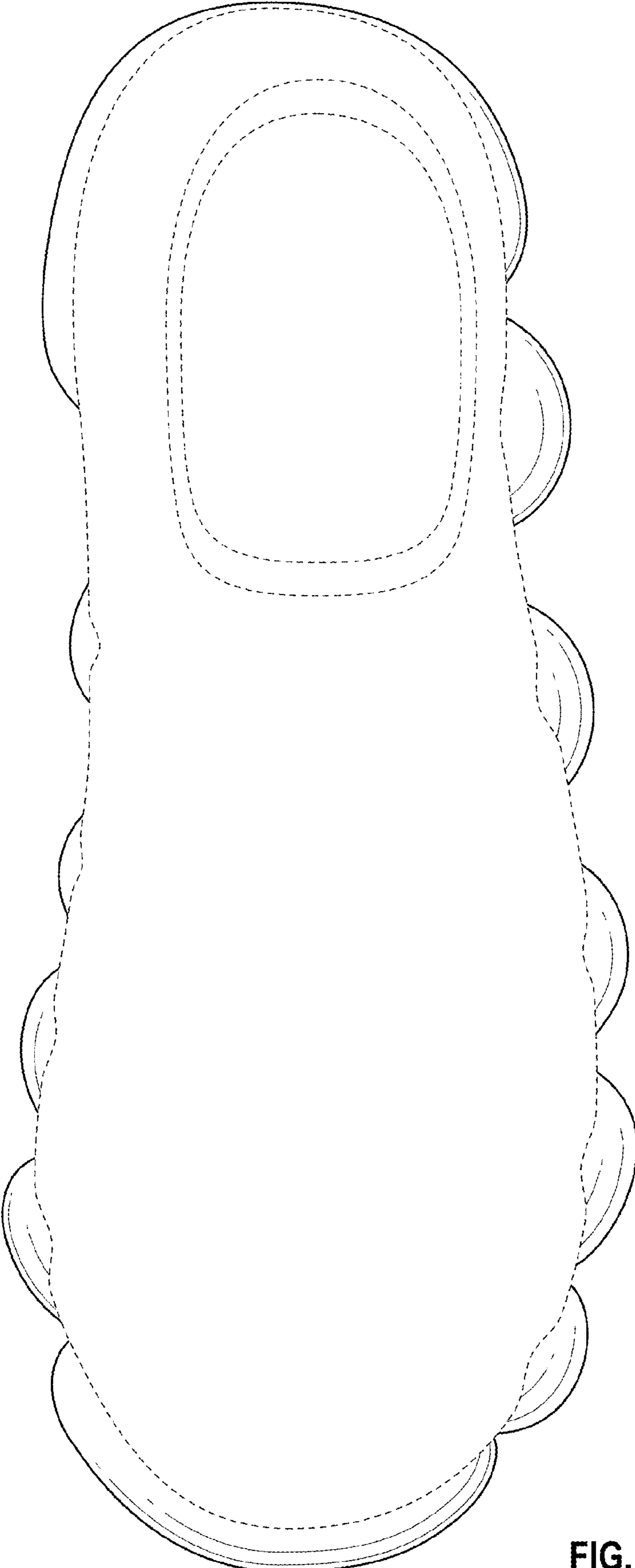


FIG. 6

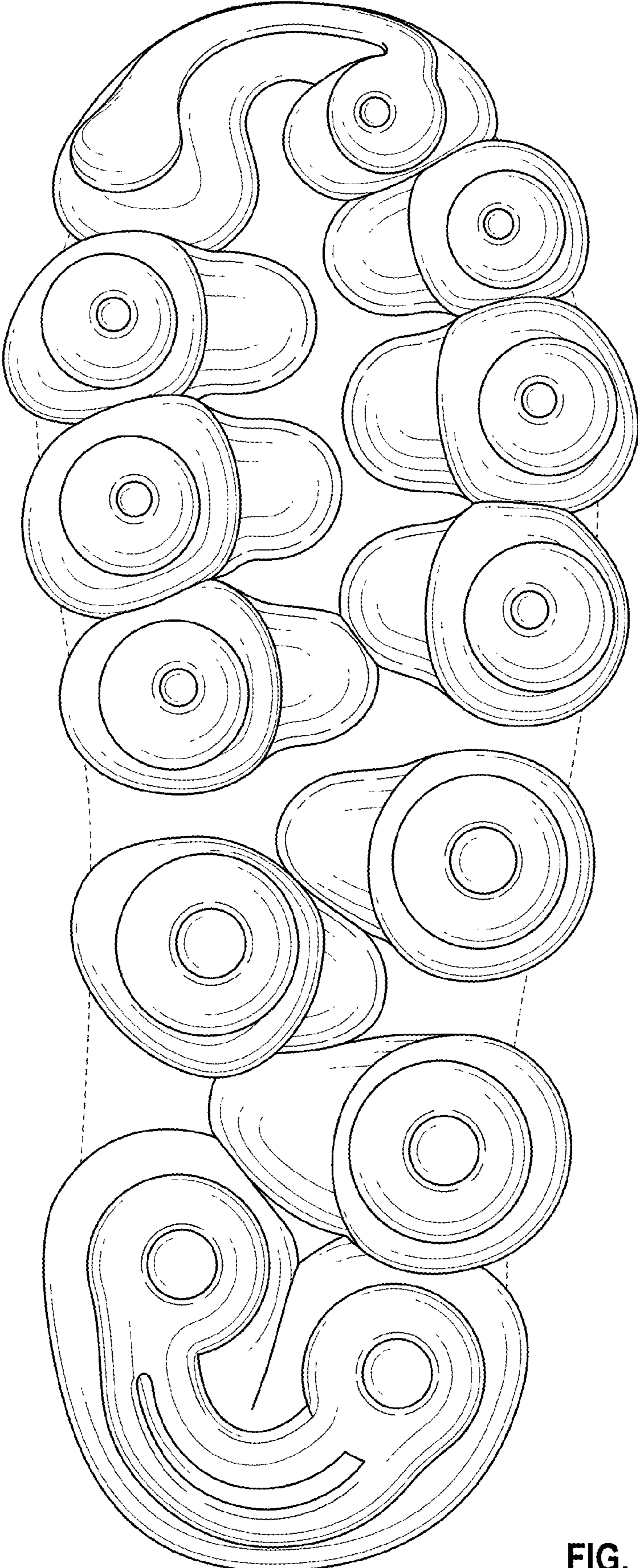


FIG. 7