



US00D917845S

(12) **United States Design Patent**
Huang

(10) **Patent No.:** **US D917,845 S**

(45) **Date of Patent:** **** May 4, 2021**

- (54) **SHOE SOLE**
- (71) Applicant: **Shenzhen Micro Jasmine Electronic Commerce Co., Ltd., Shenzhen (CN)**
- (72) Inventor: **Huiqing Huang, Yongchun (CN)**
- (**) Term: **15 Years**
- (21) Appl. No.: **29/698,091**
- (22) Filed: **Jul. 15, 2019**
- (51) **LOC (13) Cl.** **02-04**
- (52) **U.S. Cl.**
USPC **D2/947; D2/951; D2/953; D2/954;**
D2/956; D2/960
- (58) **Field of Classification Search**
USPC D2/902, 906, 908, 916, 918, 925,
D2/946–962, 972, 977; 36/3 B, 22 R,
36/24.5, 25 R, 28, 32 R, 34 R, 59 C,
36/67 A, 103
CPC A43B 13/00; A43B 13/02; A43B 13/023;
A43B 13/026; A43B 13/04; A43B 13/08;
A43B 13/10; A43B 13/12; A43B 13/14;
A43B 13/141; A43B 13/143; A43B
13/16; A43B 13/18; A43B 13/181; A43B
13/187; A43B 13/189; A43B 13/20; A43B
13/22; A43B 13/223; A43B 13/24; A43B
13/28; A43B 13/30; A43B 13/32; A43B
13/34; A43B 13/36
See application file for complete search history.

- (56) **References Cited**
U.S. PATENT DOCUMENTS
1,564,060 A * 12/1925 Grosjean A43B 13/22
36/59 B
4,817,304 A * 4/1989 Parker A43B 13/20
36/114
D311,989 S * 11/1990 Parker D2/947

- D341,700 S * 11/1993 Avar D2/977
- 5,729,916 A * 3/1998 Vorobiev A43B 13/183
36/27
- D395,739 S * 7/1998 Mervar D2/947
- D397,543 S * 9/1998 Silvers D2/897
- D411,909 S * 7/1999 Lavertue D2/947
- 6,416,610 B1 * 7/2002 Matis A43B 13/10
156/245
- D582,639 S * 12/2008 Rosenbaum A43B 7/14
D2/951
- D607,633 S * 1/2010 Mongelli D2/947
- D697,700 S * 1/2014 Mazza D2/952
- D707,023 S * 6/2014 Della Valle D2/957
- 9,027,262 B2 * 5/2015 Blankenship F16K 15/20
36/136
- D755,491 S * 5/2016 Nakano D2/958
- D759,951 S * 6/2016 Lin D2/946

(Continued)

Primary Examiner — T Chase Nelson
(74) *Attorney, Agent, or Firm* — Rumit Ranjit Kanakia

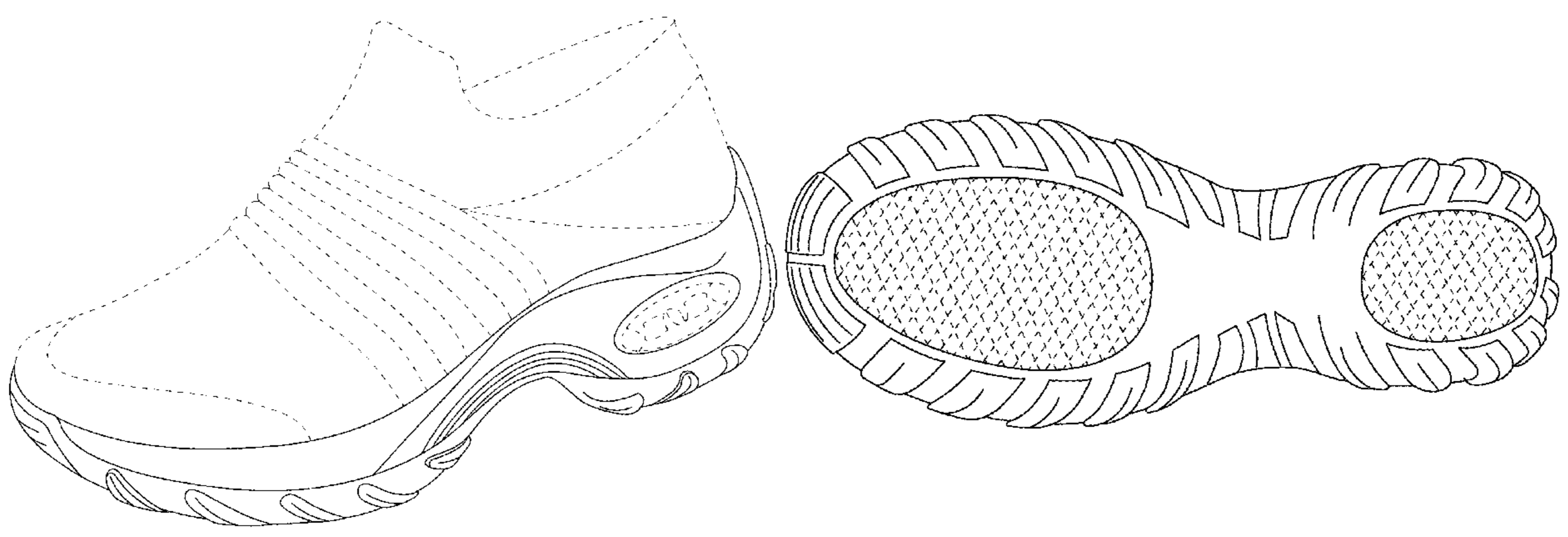
(57) **CLAIM**

I claim the ornamental design for a shoe sole, as shown and described.

DESCRIPTION

FIG. 1 is a Perspective view of a shoe sole showing my new design;
 FIG. 2 is a Front view of the shoe sole as shown in FIG. 1;
 FIG. 3 is a Back view of the shoe sole as shown in FIG. 1;
 FIG. 4 is a Right-side view of the shoe sole as shown in FIG. 1;
 FIG. 5 is a Left-side view of the shoe sole as shown in FIG. 1;
 FIG. 6 is a Top of the shoe sole as shown in FIG. 1; and,
 FIG. 7 is Bottom view of the shoe sole as shown in FIG. 1.
 The broken lines show environmental structure and portions of the shoe sole that form no part of the claimed design.

1 Claim, 7 Drawing Sheets



(56)

References Cited

U.S. PATENT DOCUMENTS

D804,793	S *	12/2017	Lee	D2/957
D831,938	S *	10/2018	Ghesquiere	D2/902
D837,499	S *	1/2019	Maier	D2/960
D843,706	S *	3/2019	Donohoe	D2/980
D864,539	S *	10/2019	Fuerst, Sr.	D2/957
D870,430	S *	12/2019	Nickless	D2/947
D872,428	S *	1/2020	Bell	A43C 15/00
				D2/914
D876,763	S *	3/2020	Petrenka	D2/947
D882,217	S *	4/2020	Zhang	D2/916
D889,798	S *	7/2020	Vella	D2/960
D890,488	S *	7/2020	Vella	D2/947
D894,551	S *	9/2020	Murphy-Reinhertz	D2/947
D895,245	S *	9/2020	Hardigan	D2/953
D895,248	S *	9/2020	Fracassi	D2/957
D897,651	S *	10/2020	Rinella	D2/957
2009/0019729	A1 *	1/2009	Nakano	A43B 7/14
				36/91
2009/0205224	A1 *	8/2009	Rosenbaum	A43B 13/141
				36/25 R
2015/0128455	A1 *	5/2015	Lubart	A43C 15/00
				36/25 R

* cited by examiner

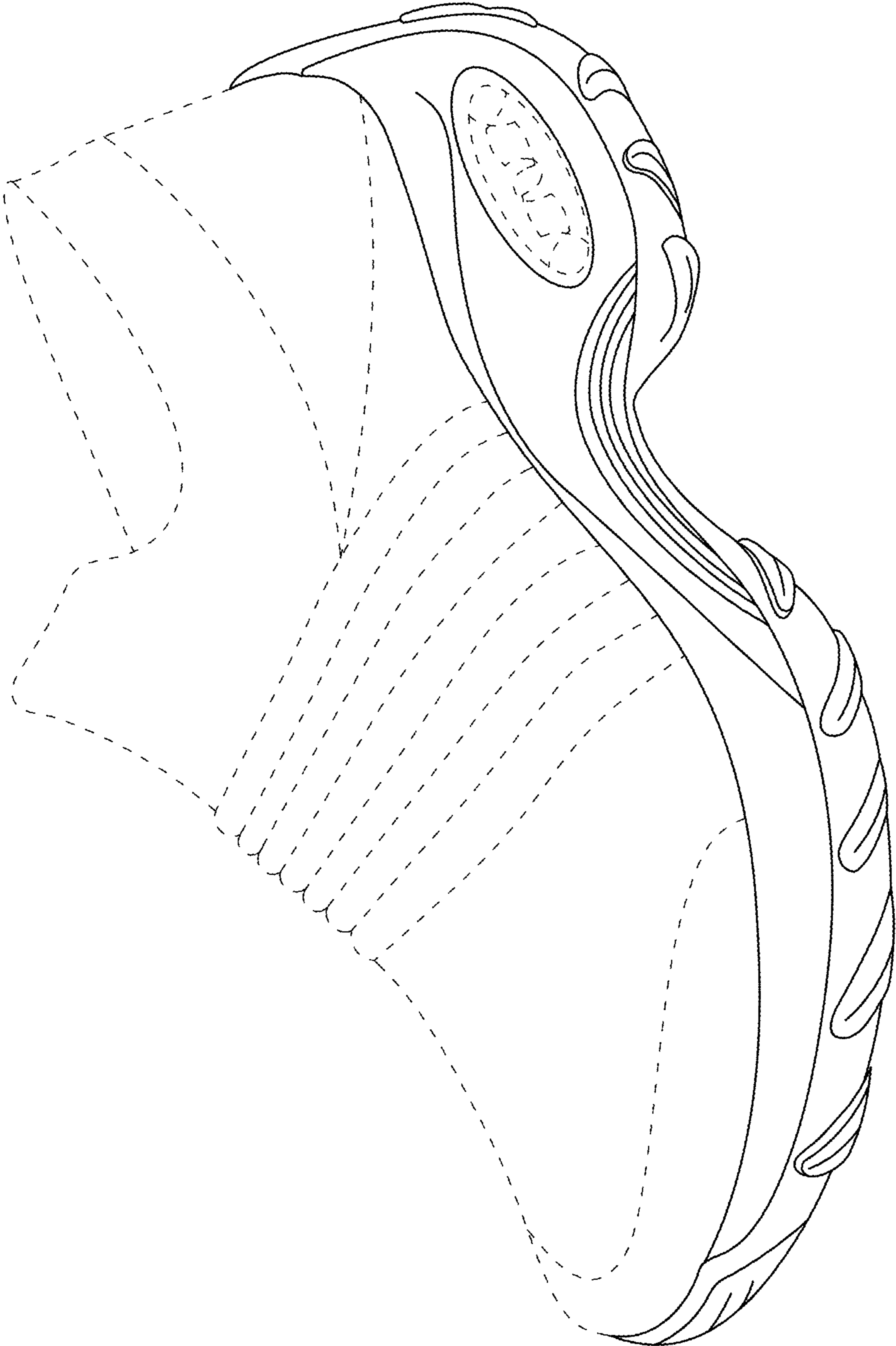


FIG. 1

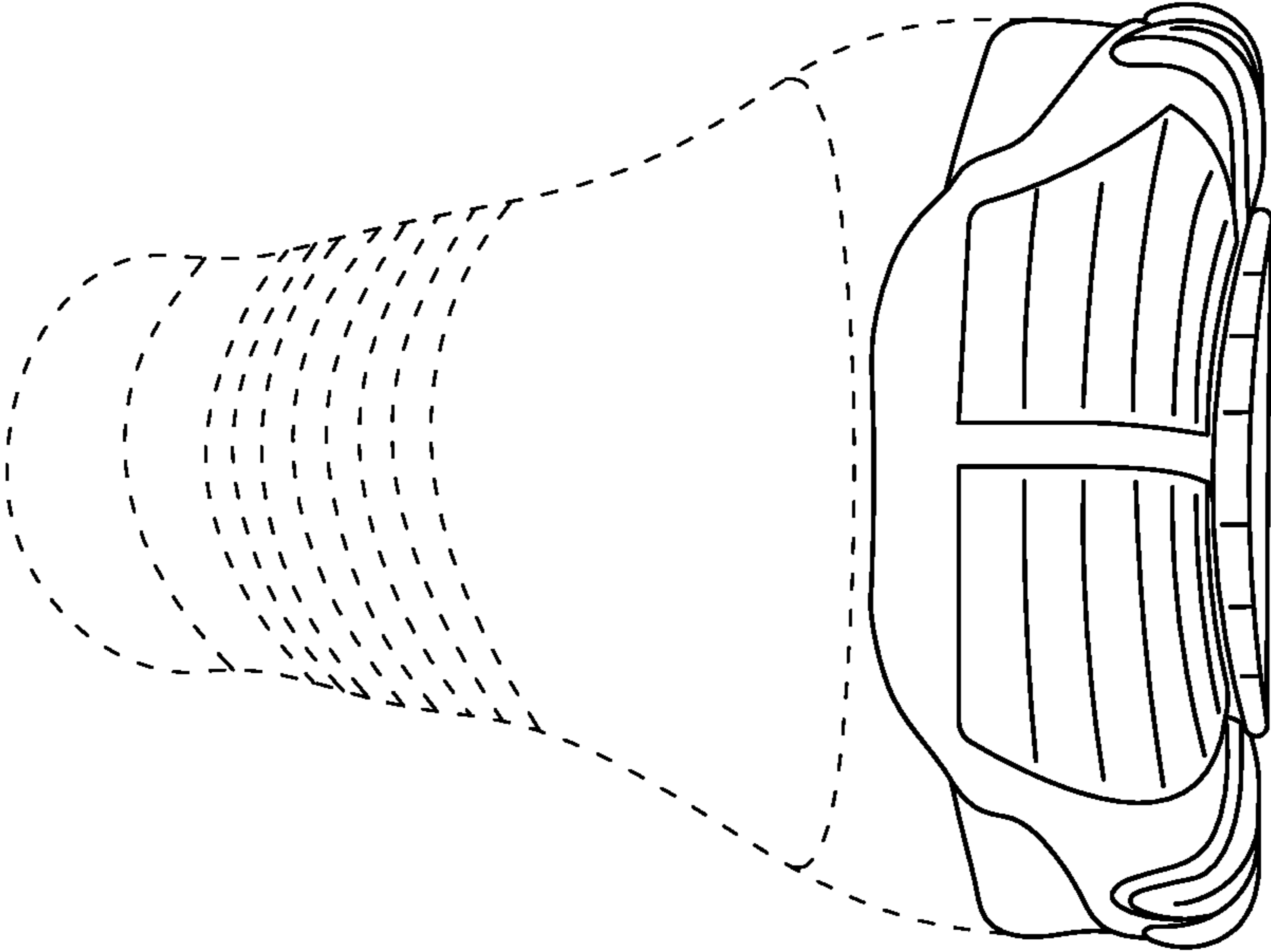


FIG. 2

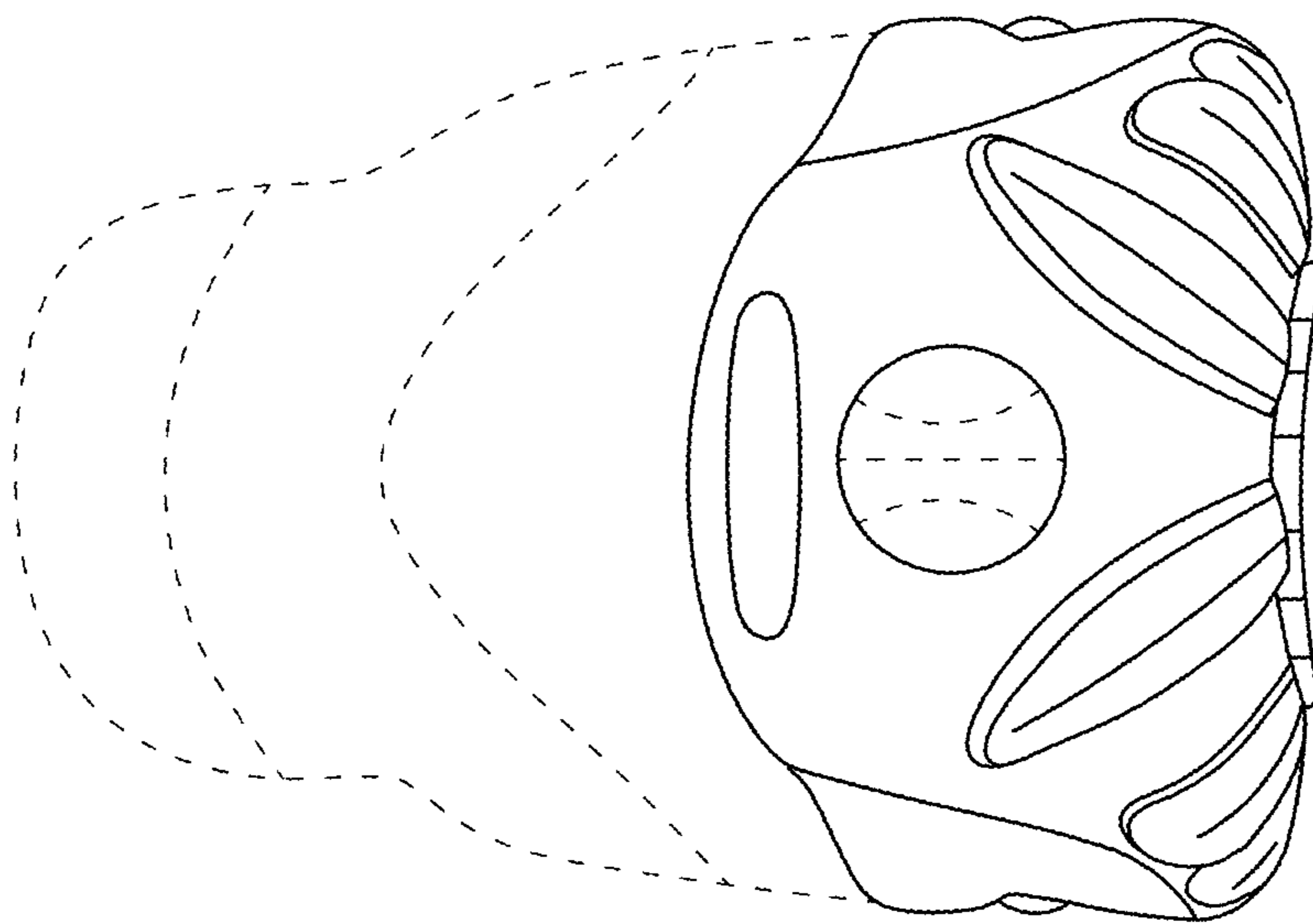


FIG. 3

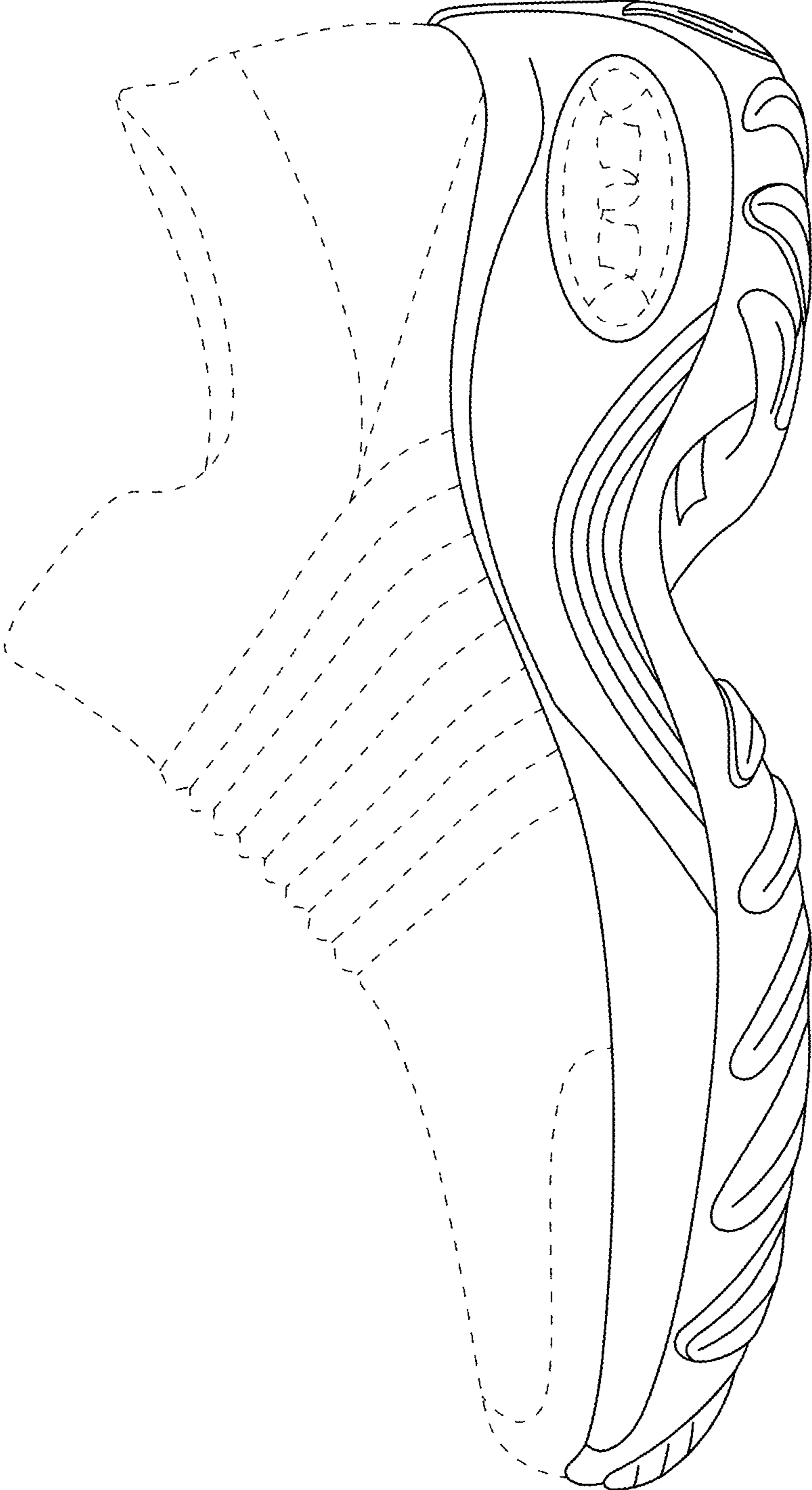


FIG. 4

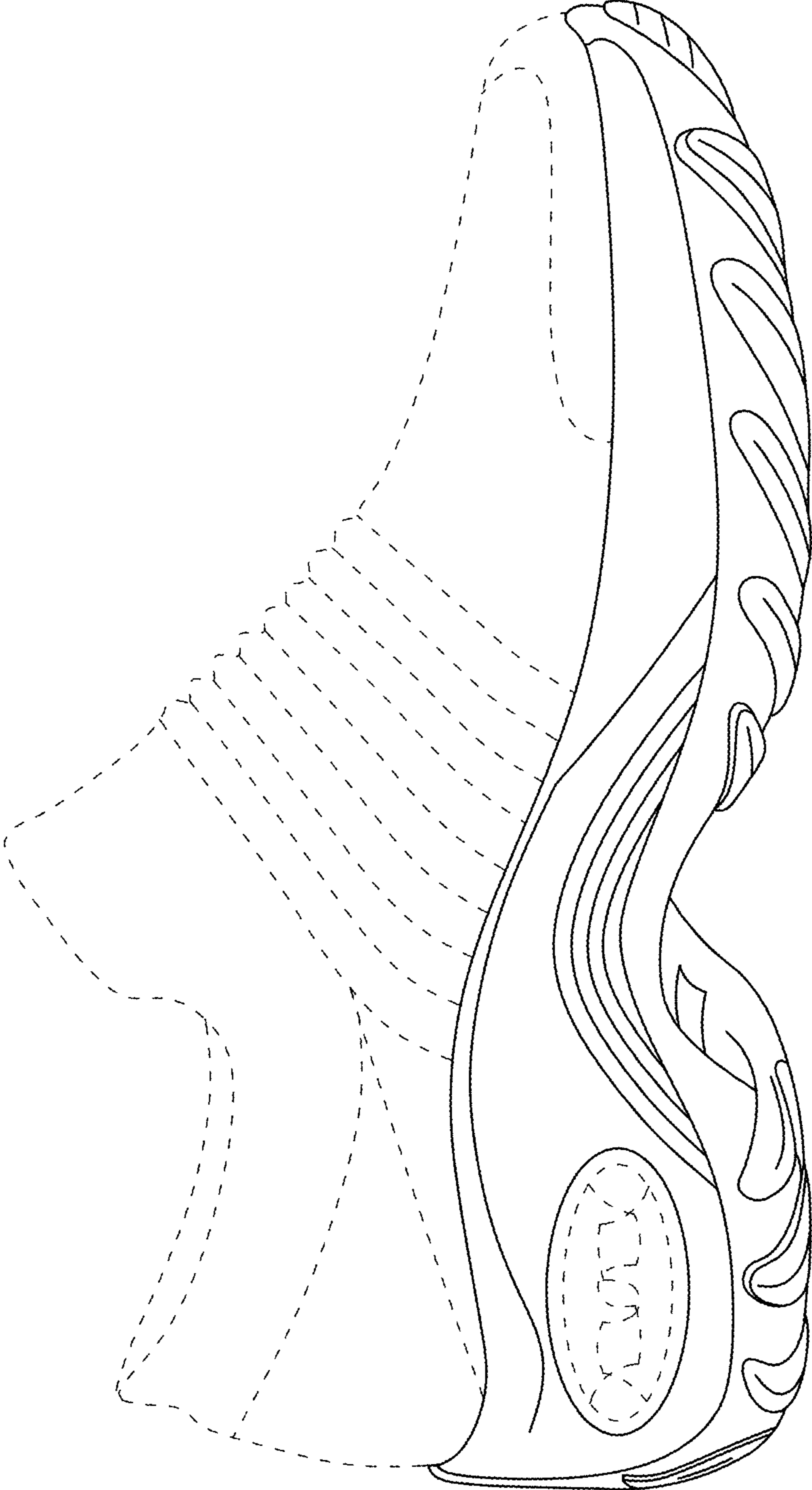


FIG. 5

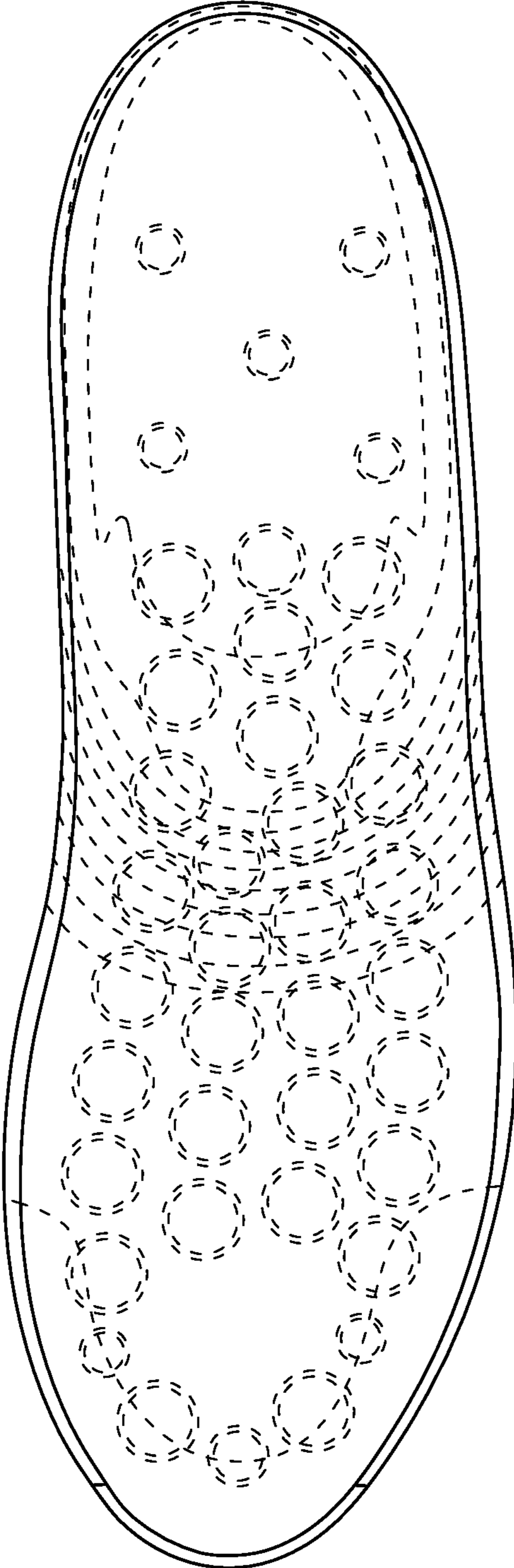


FIG. 6

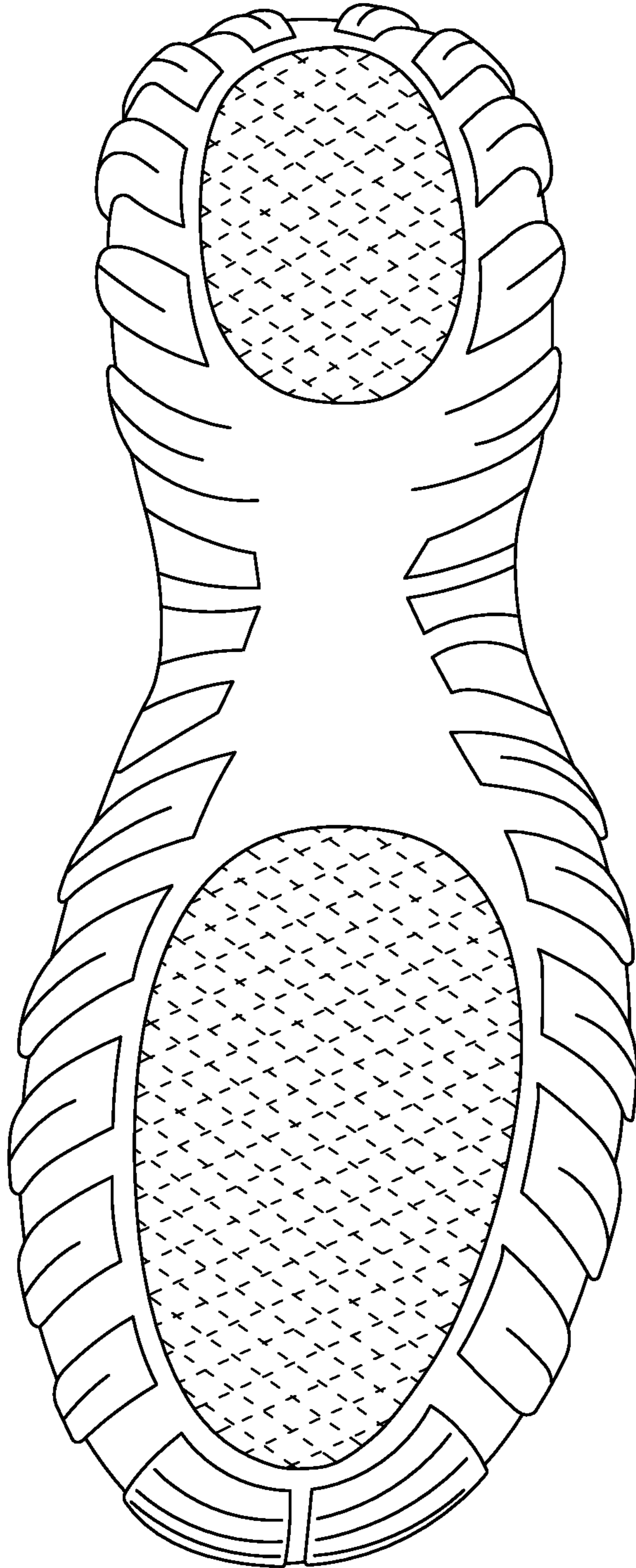


FIG. 7