



US00D917829S

(12) **United States Design Patent** (10) **Patent No.:** **US D917,829 S**  
**Guo** (45) **Date of Patent:** **\*\* May 4, 2021**

(54) **SLEEP HOODIE**  
(71) Applicant: **Shenzhen Create Future International Trading Company, Shenzhen (TW)**  
(72) Inventor: **Hui Guo, Shenzhen (CN)**  
(\*\*) Term: **15 Years**  
(21) Appl. No.: **29/743,853**  
(22) Filed: **Jul. 24, 2020**  
(51) **LOC (13) Cl.** ..... **02-01**  
(52) **U.S. Cl.**  
USPC ..... **D2/718**  
(58) **Field of Classification Search**  
USPC ..... D2/717, 718, 749-751, 825, 828,  
D2/830-831, 839, 840-842  
CPC ..... A41D 2200/20; A41D 1/04; A41D 15/04;  
A41D 27/10; A41D 3/02; A41D 3/005;  
A41D 3/04; A41D 3/08  
See application file for complete search history.

D881,518 S \* 4/2020 Buonocore ..... D2/831  
D886,416 S \* 6/2020 Speciale ..... D2/828  
10,772,366 B1 \* 9/2020 Ngan ..... A41D 15/04  
2011/0185471 A1 \* 8/2011 Buczkowski ..... A41D 27/201  
2/84  
2012/0005802 A1 \* 1/2012 Claeys ..... A41D 27/204  
2/84  
2013/0152269 A1 \* 6/2013 Coward ..... A41D 13/08  
2/84  
2017/0020215 A1 \* 1/2017 Merritt ..... A41D 1/04  
2017/0079350 A1 \* 3/2017 Hourani ..... A41D 27/201  
2018/0116300 A1 \* 5/2018 Fleming ..... A41D 1/04  
2020/0008500 A1 \* 1/2020 Speciale ..... A41D 27/10

**OTHER PUBLICATIONS**

AmyHomie Blanket Sweatshirt, Oversized Sherpa Hooded Sweatshirt, Wearable Fleecehug Hoodie Blanket with Pocket for Adults & Kids & Teen; Oct. 8, 2019; Amazon.com; <https://www.amazon.com/AmyHomie-Blanket-Sweatshirt-Oversized-Wearable/dp/B089STVTJ4?th=1>; 7pgs. (Year: 2019).\*

\* cited by examiner

*Primary Examiner* — Michelle E. Wilson

*Assistant Examiner* — Clese Moore, Jr.

(56) **References Cited**

**U.S. PATENT DOCUMENTS**

D294,535 S \* 3/1988 Stricklin ..... D2/831  
6,253,381 B1 \* 7/2001 Kelley ..... A41D 3/02  
2/125  
D512,204 S \* 12/2005 Thomas ..... D2/831  
D541,011 S \* 4/2007 Day ..... D2/831  
D553,330 S \* 10/2007 Wager ..... D2/831  
D570,577 S \* 6/2008 Keppler ..... D2/750  
D615,731 S \* 5/2010 Oneto, Sr. .... D2/750  
D627,540 S \* 11/2010 Claeys ..... D2/750  
D630,002 S \* 1/2011 Brown ..... D2/841  
D665,152 S \* 8/2012 Morales ..... D2/840  
D672,531 S \* 12/2012 Kelfer ..... D2/750  
D713,126 S \* 9/2014 Franz ..... D2/825  
D728,900 S \* 5/2015 White  
D759,350 S \* 6/2016 Sorensen ..... D2/831  
D802,886 S \* 11/2017 Salce, Jr. .... D2/831  
D840,133 S \* 2/2019 Peck ..... D2/840  
D859,788 S \* 9/2019 Speciale ..... D2/828

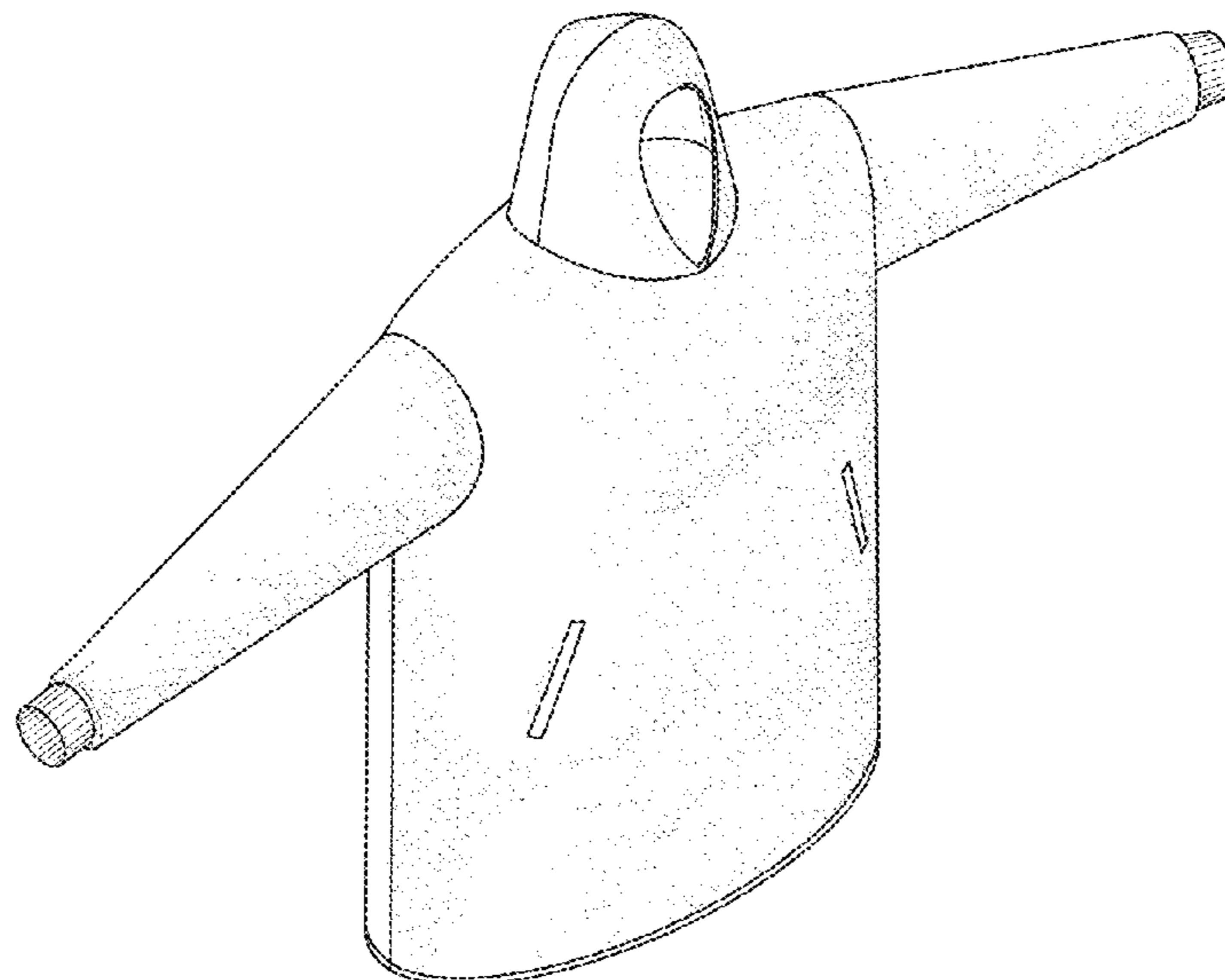
(57) **CLAIM**

The ornamental design for a sleep hoodie, as shown and described.

**DESCRIPTION**

FIG. 1 is a perspective view of a sleep hoodie, showing the new design;  
FIG. 2 is a front view thereof;  
FIG. 3 is a rear view thereof;  
FIG. 4 is a left-side view thereof;  
FIG. 5 is a right-side view thereof;  
FIG. 6 is a top view thereof; and,  
FIG. 7 is a bottom view thereof.

**1 Claim, 6 Drawing Sheets**



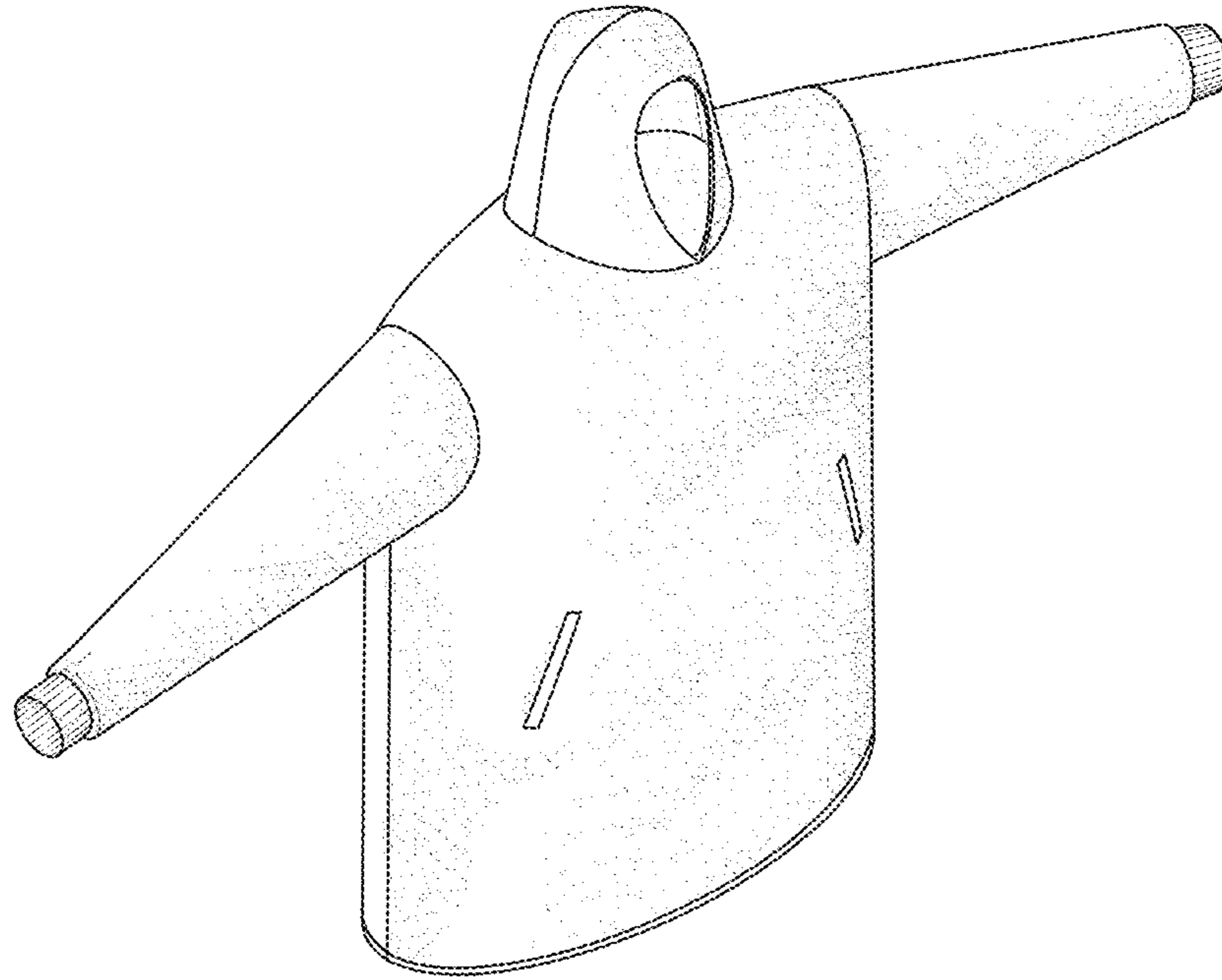


FIG. 1

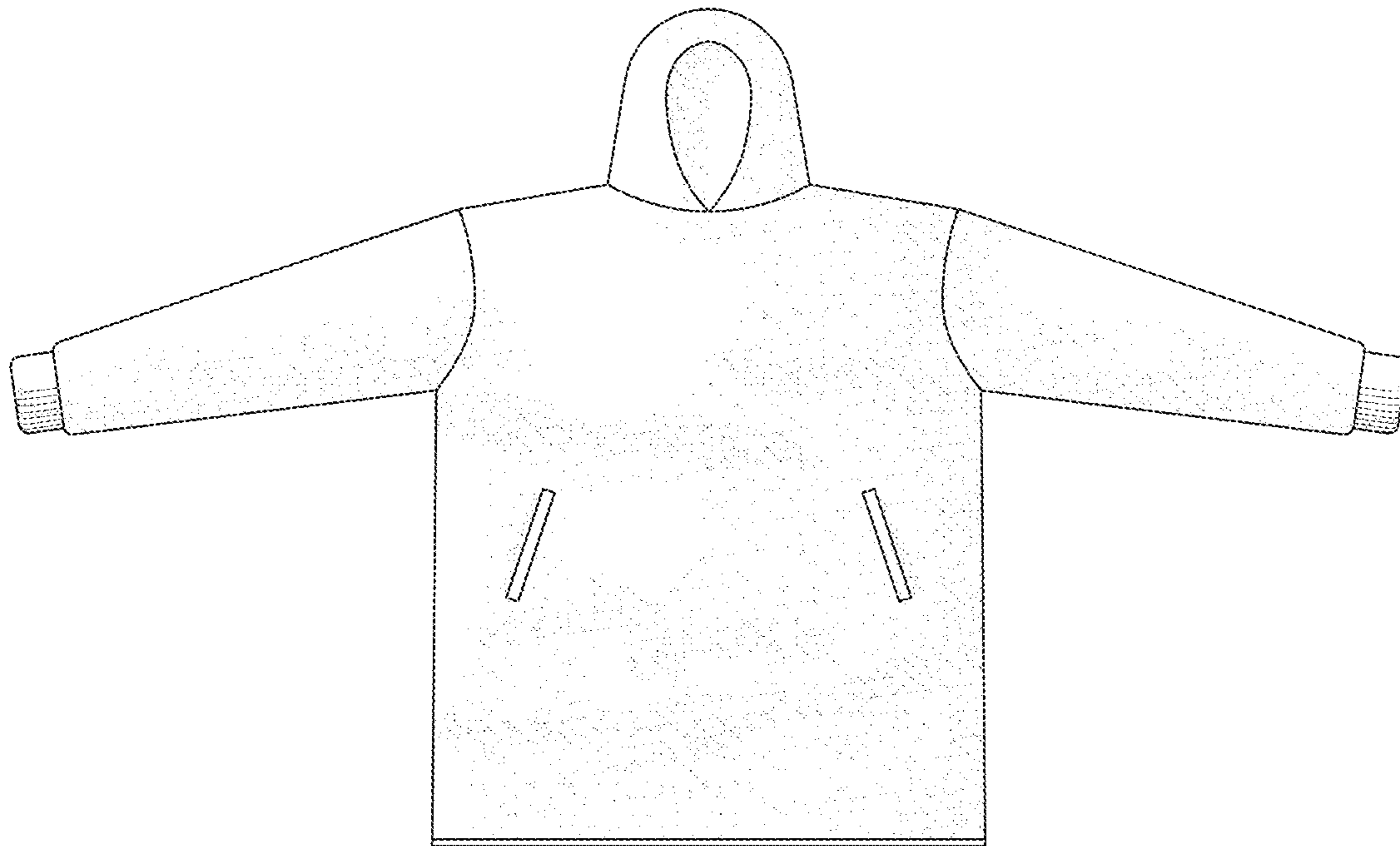


FIG. 2

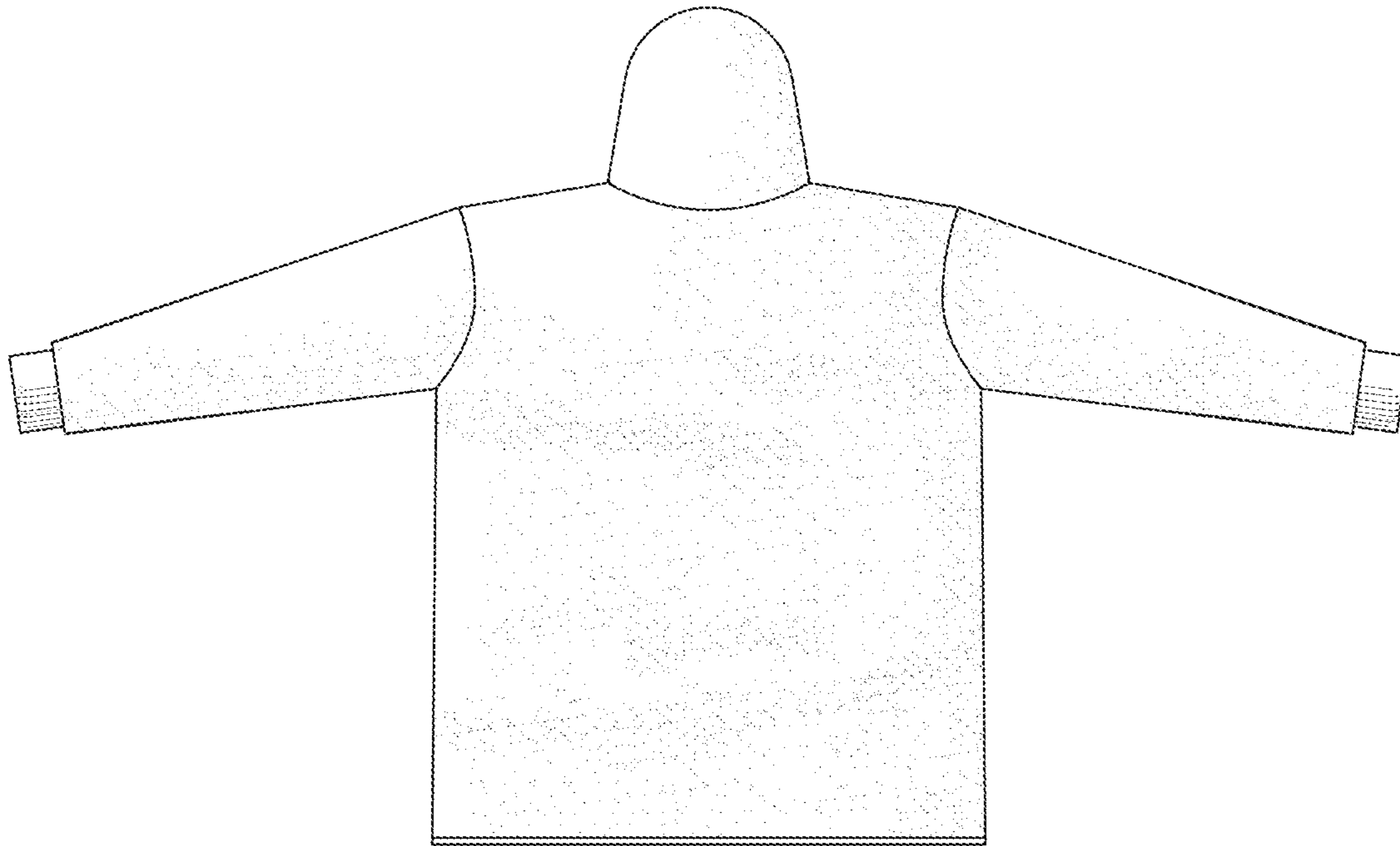


FIG. 3

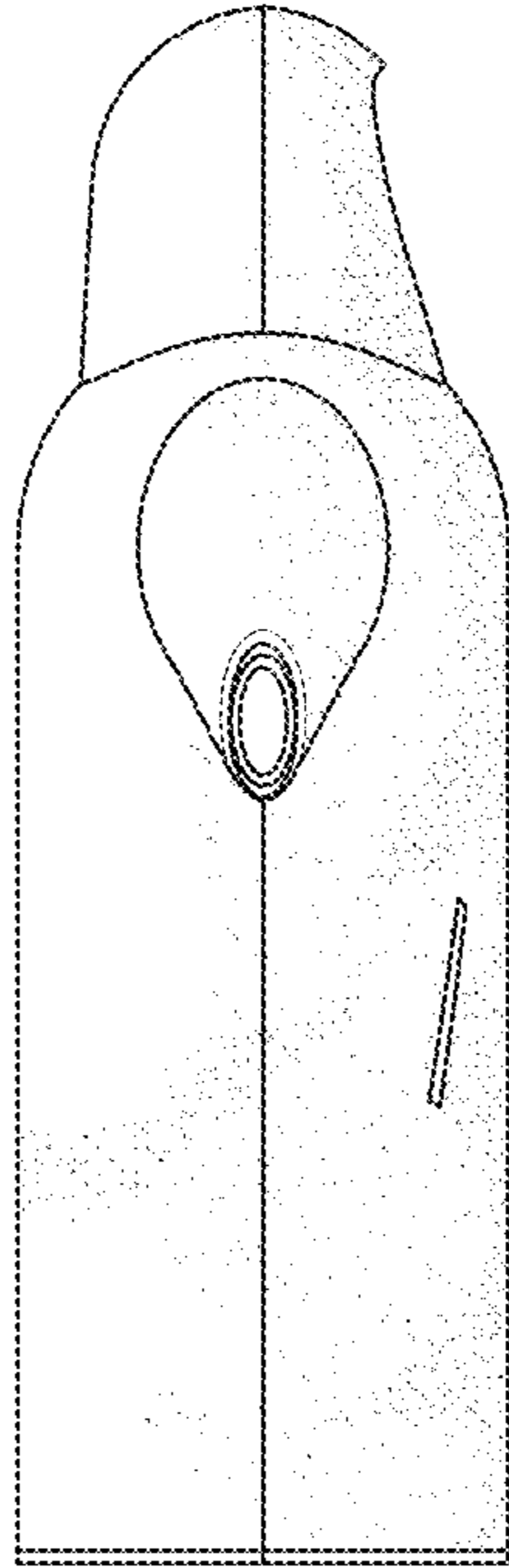


FIG. 4

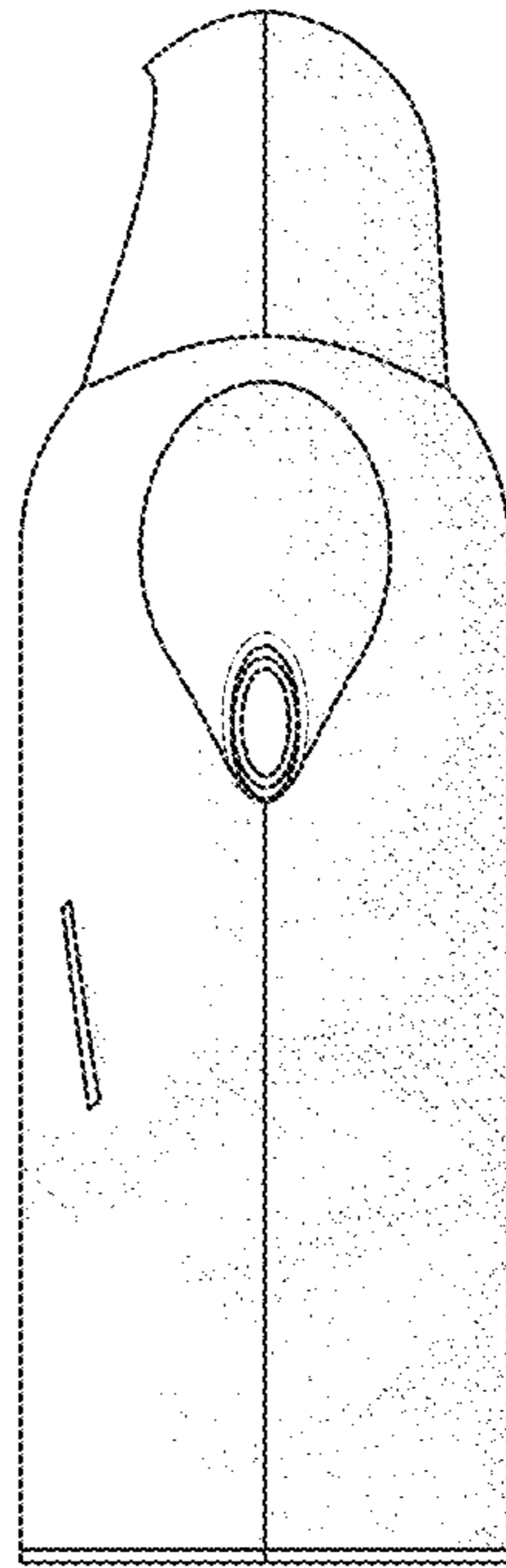


FIG. 5

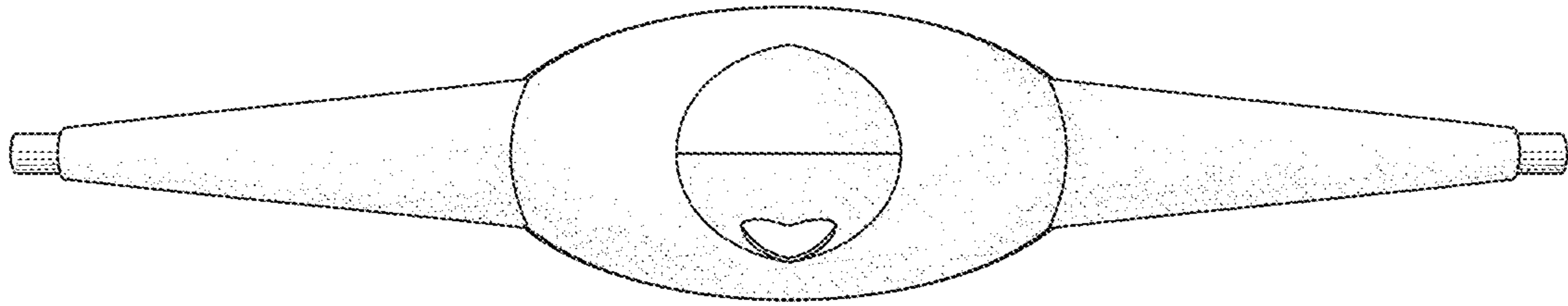


FIG. 6

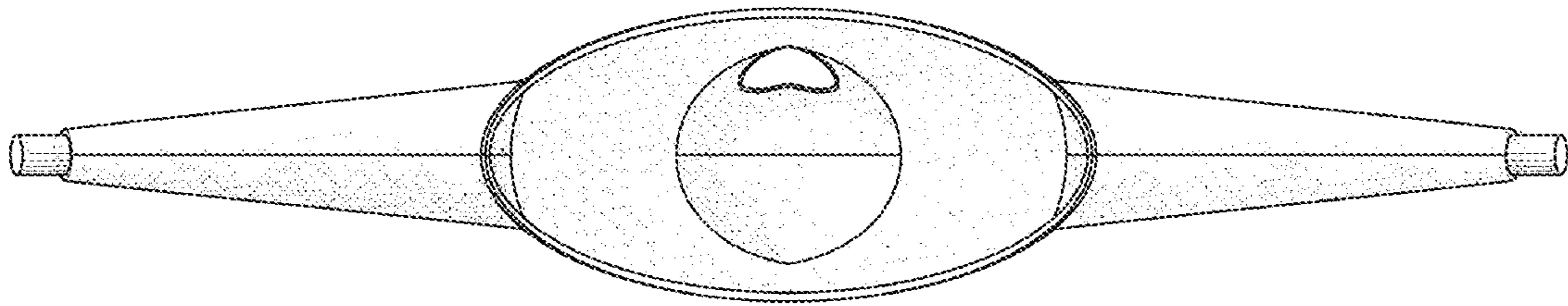


FIG. 7