



US00D917826S

(12) **United States Design Patent**  
**Lesslie**

(10) **Patent No.:** **US D917,826 S**

(45) **Date of Patent:** **\*\* May 4, 2021**

(54) **DRIED FOOD PRODUCT**

(71) Applicant: **James Lesslie**, Las Vegas, NV (US)

(72) Inventor: **James Lesslie**, Las Vegas, NV (US)

(\*\*) Term: **15 Years**

(21) Appl. No.: **29/723,611**

(22) Filed: **Feb. 7, 2020**

(51) **LOC (13) Cl.** ..... **01-01**

(52) **U.S. Cl.**  
USPC ..... **D1/125**

(58) **Field of Classification Search**  
USPC ..... D1/100–130, 199; 426/104, 115, 143,  
426/144, 249, 274, 517, 518, 615, 805;  
D21/386; D25/119, 121; D30/160;  
D24/102, 103; D34/28, 29  
CPC . A23G 9/503; A23G 9/48; B26D 3/26; B26D  
3/11; A23L 1/217  
See application file for complete search history.

(56) **References Cited**

**U.S. PATENT DOCUMENTS**

- 2,197,577 A \* 4/1940 Grosser ..... A47G 33/0845  
428/28
- 3,198,173 A \* 8/1965 Fisher ..... A01K 15/026  
119/709
- D323,414 S \* 1/1992 Bruke ..... D34/29
- D326,944 S \* 6/1992 Bruke ..... D34/29

- 5,296,252 A \* 3/1994 Mendenhall ..... B26D 3/11  
426/615
- D458,434 S \* 6/2002 Bortone ..... D1/125
- D501,697 S \* 2/2005 Bortone ..... D1/125
- D544,154 S \* 6/2007 Bidinger ..... D30/160
- D712,618 S \* 9/2014 Rogers ..... D1/125
- D722,417 S \* 2/2015 Rogers ..... D1/125
- D738,037 S \* 9/2015 Zayat ..... D27/161
- D762,341 S \* 8/2016 Rogers ..... D1/125
- D868,611 S \* 12/2019 Hedt ..... D10/109.1

\* cited by examiner

*Primary Examiner* — Katie Jane Stofko

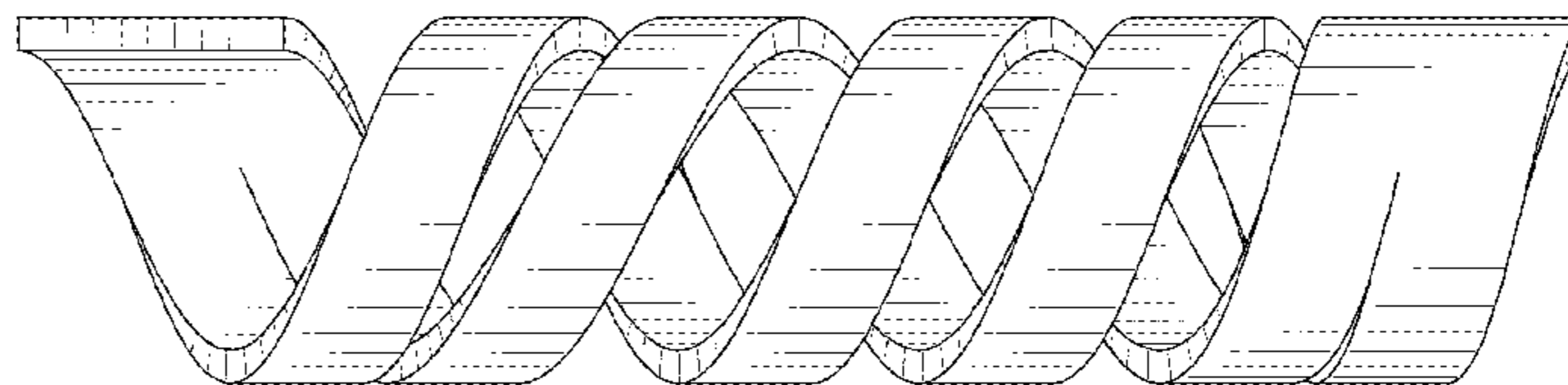
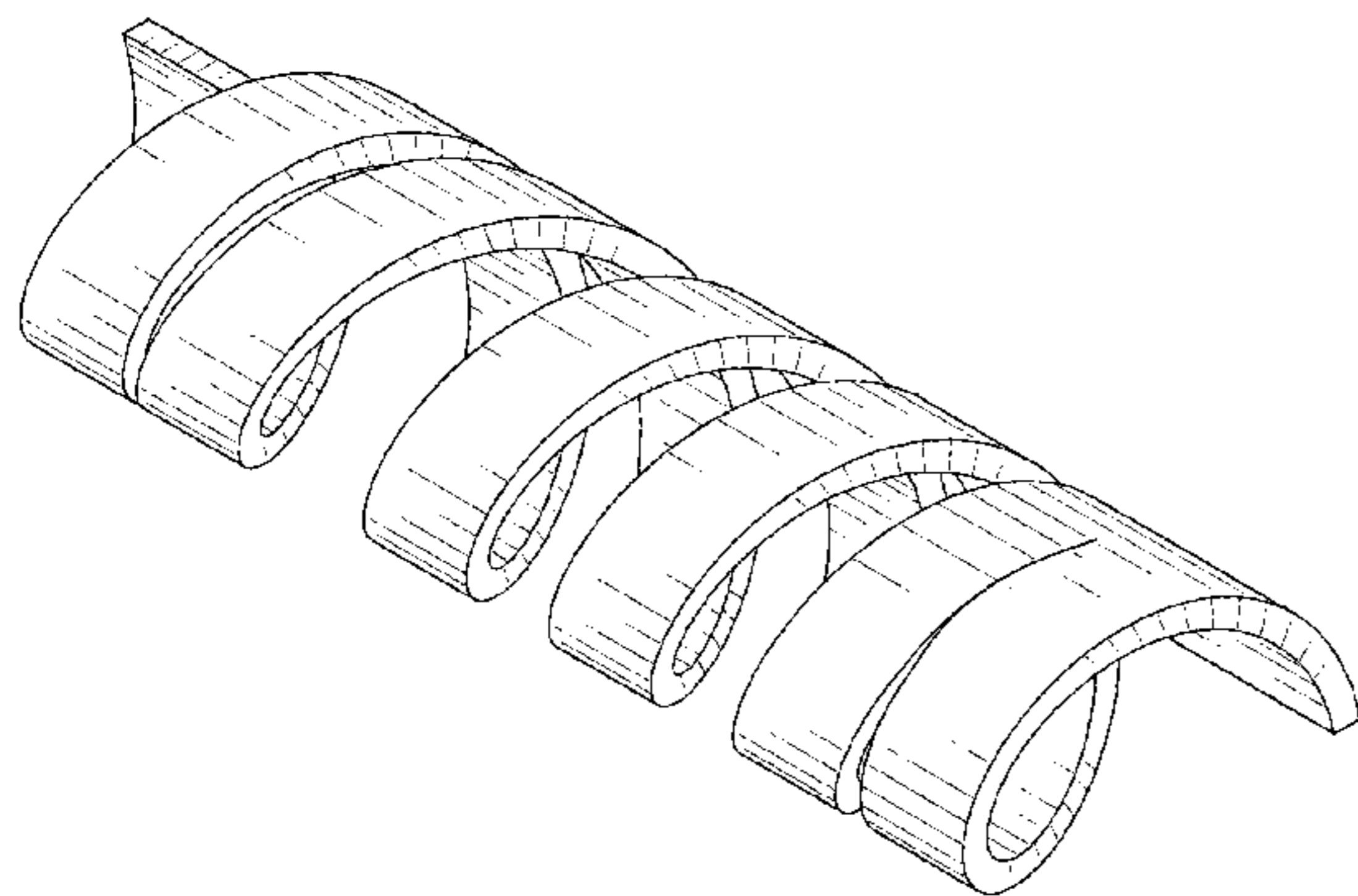
(57) **CLAIM**

The ornamental design for a dried food product, as shown and described.

**DESCRIPTION**

FIG. 1 is a top, front, right side perspective view of a dried food product showing my new design;  
 FIG. 2 is a top, front, left side perspective view thereof;  
 FIG. 3 is a top, rear, right side perspective view thereof;  
 FIG. 4 is a front elevation view thereof;  
 FIG. 5 is a rear elevation view thereof;  
 FIG. 6 is a top plan view thereof;  
 FIG. 7 is a bottom plan view thereof;  
 FIG. 8 is a left side elevation view thereof; and,  
 FIG. 9 is a right side elevation view thereof.

**1 Claim, 9 Drawing Sheets**



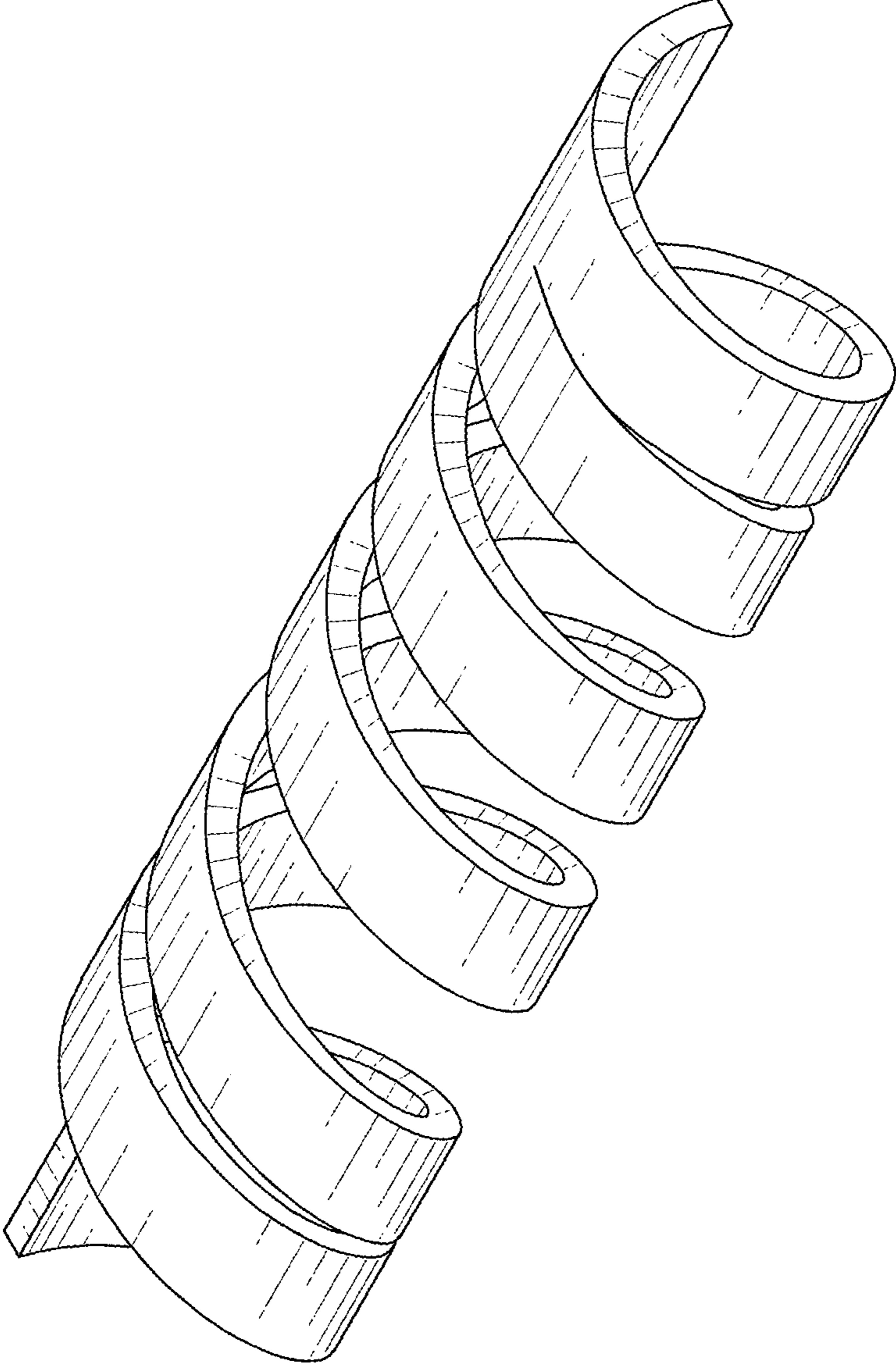


FIG. 1

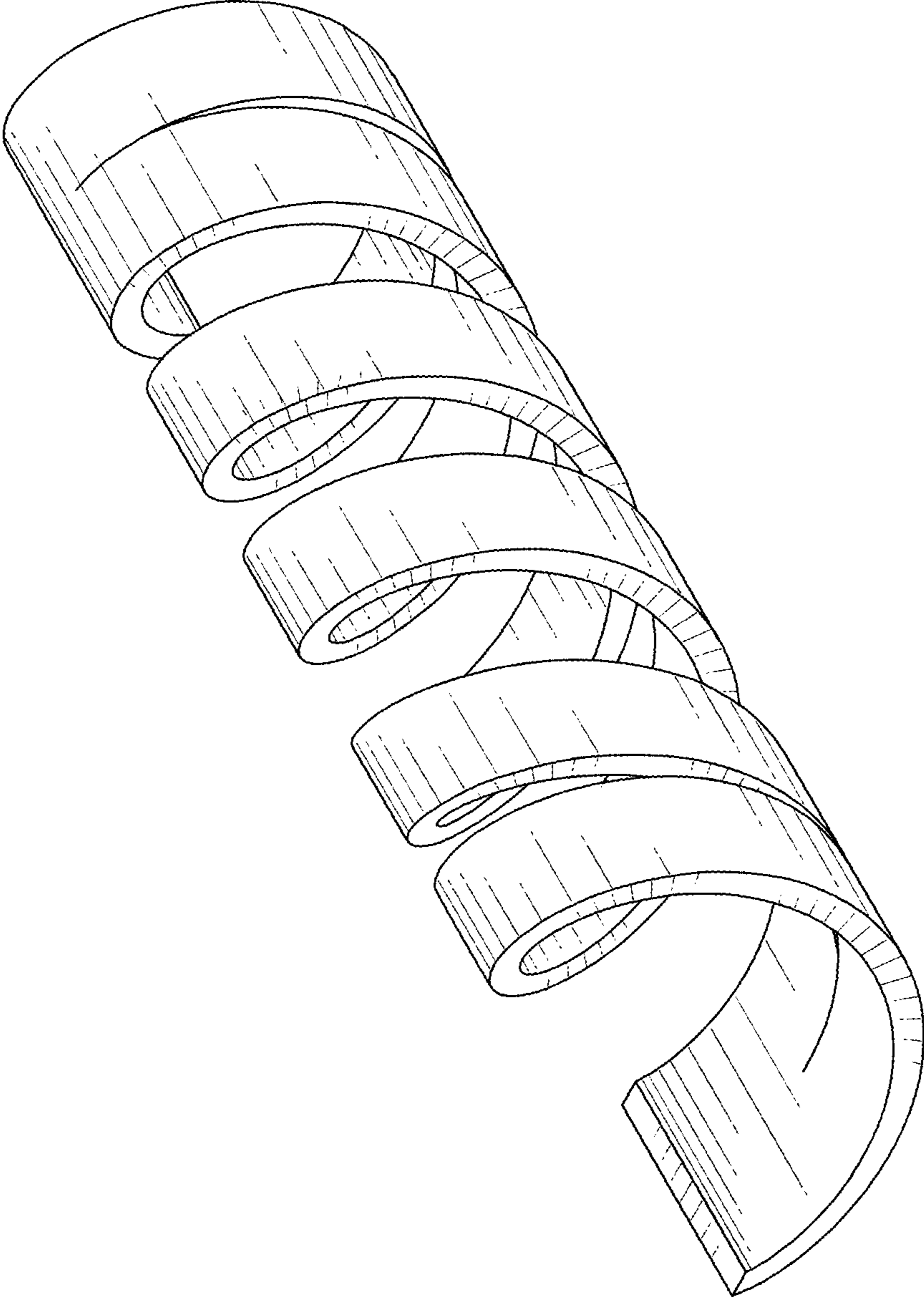


FIG. 2

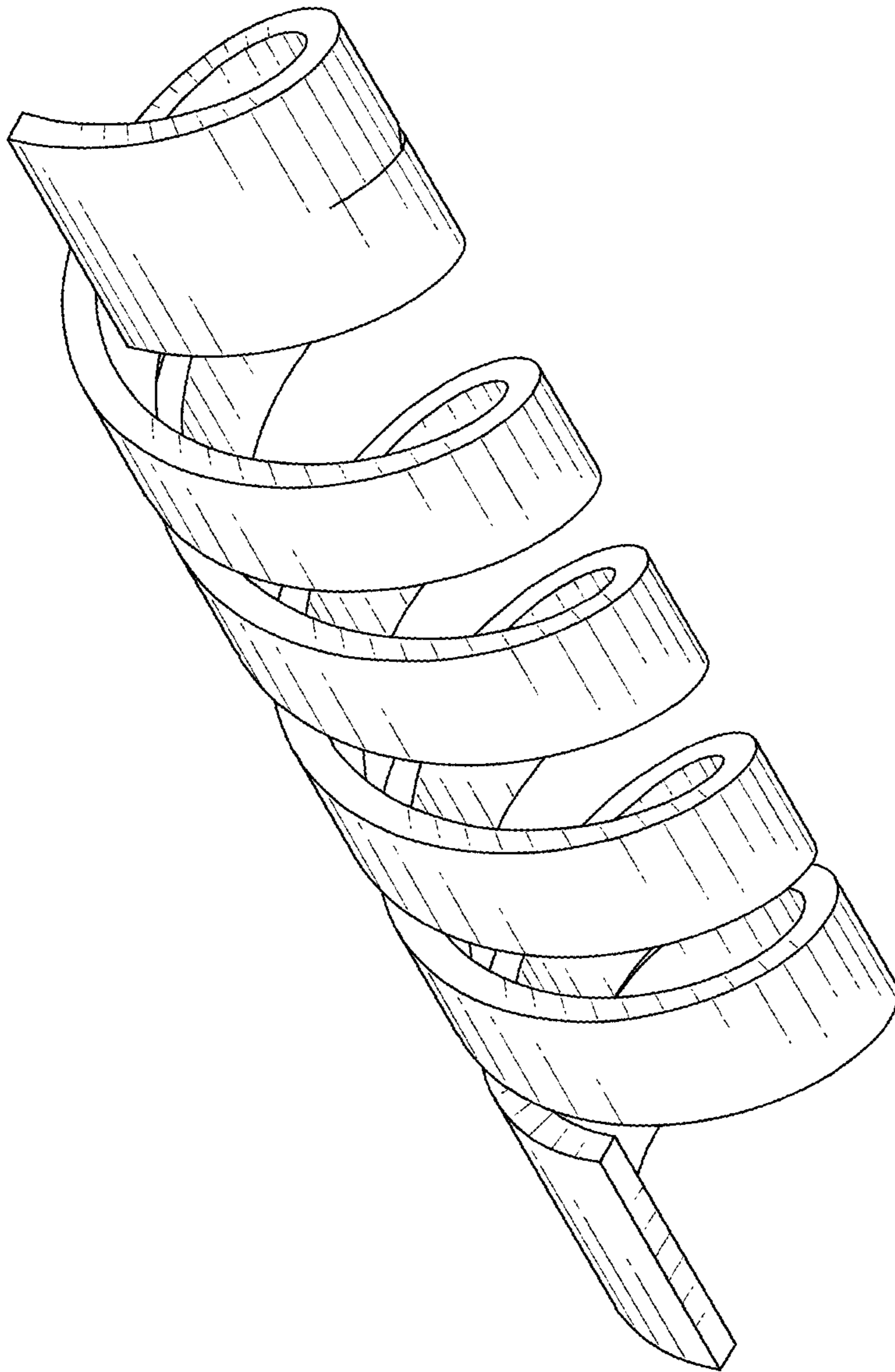


FIG. 3

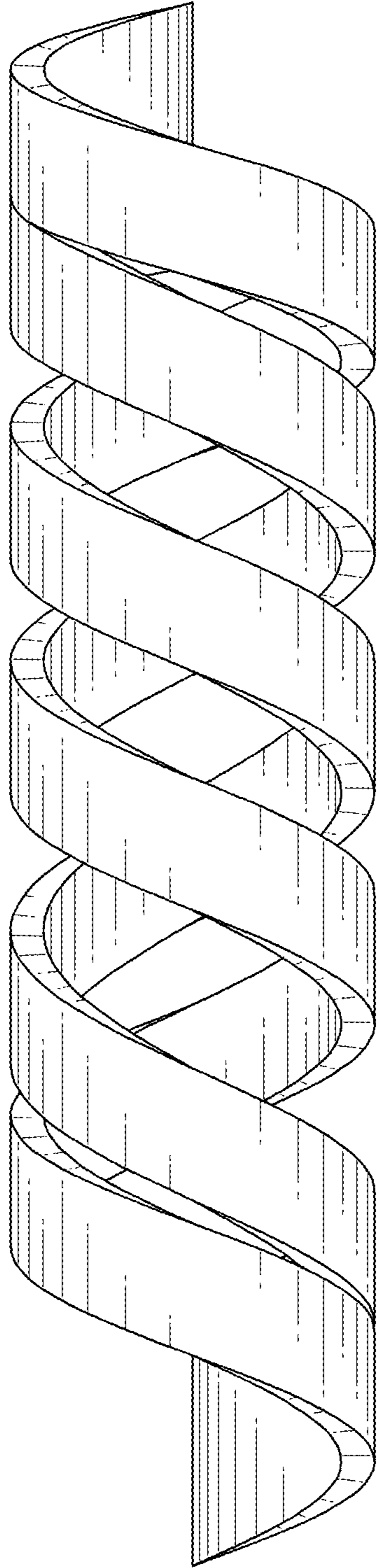


FIG. 4

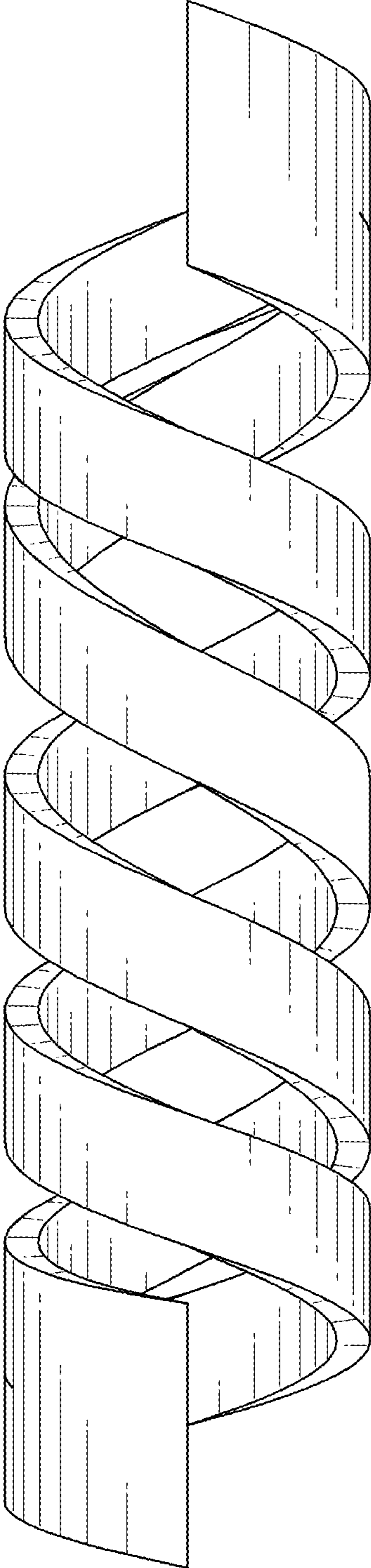


FIG. 5

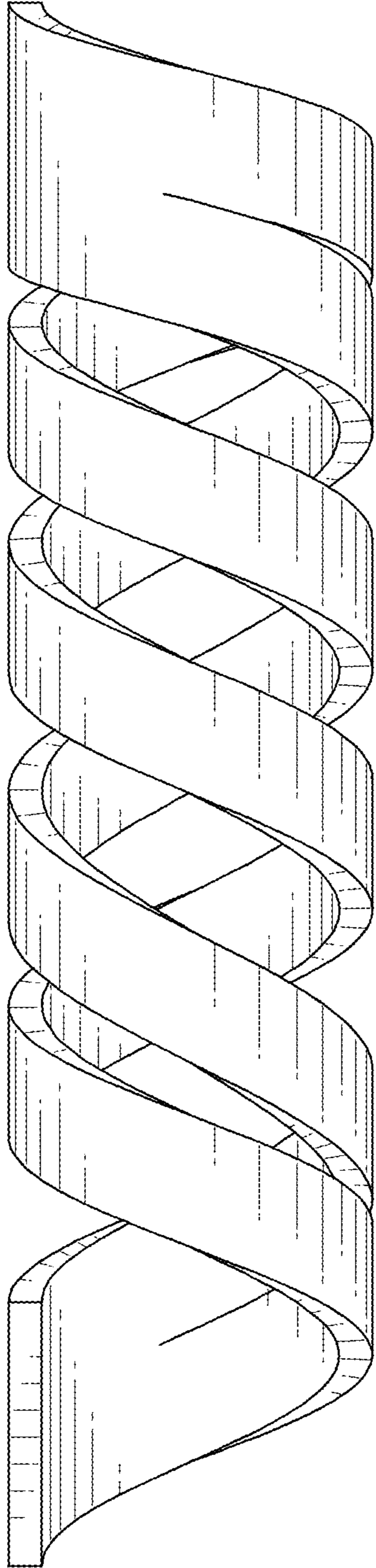


FIG. 6

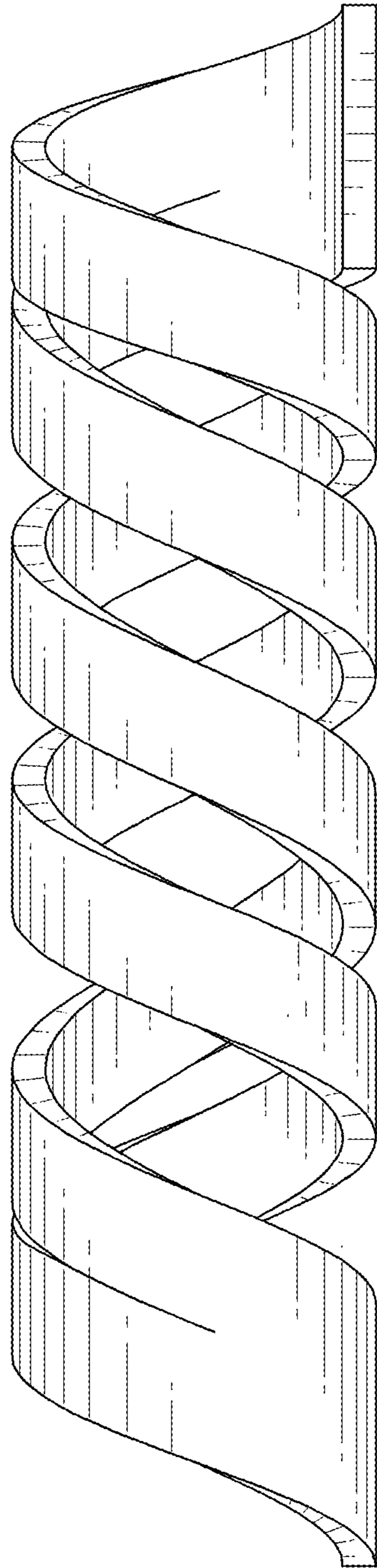


FIG. 7



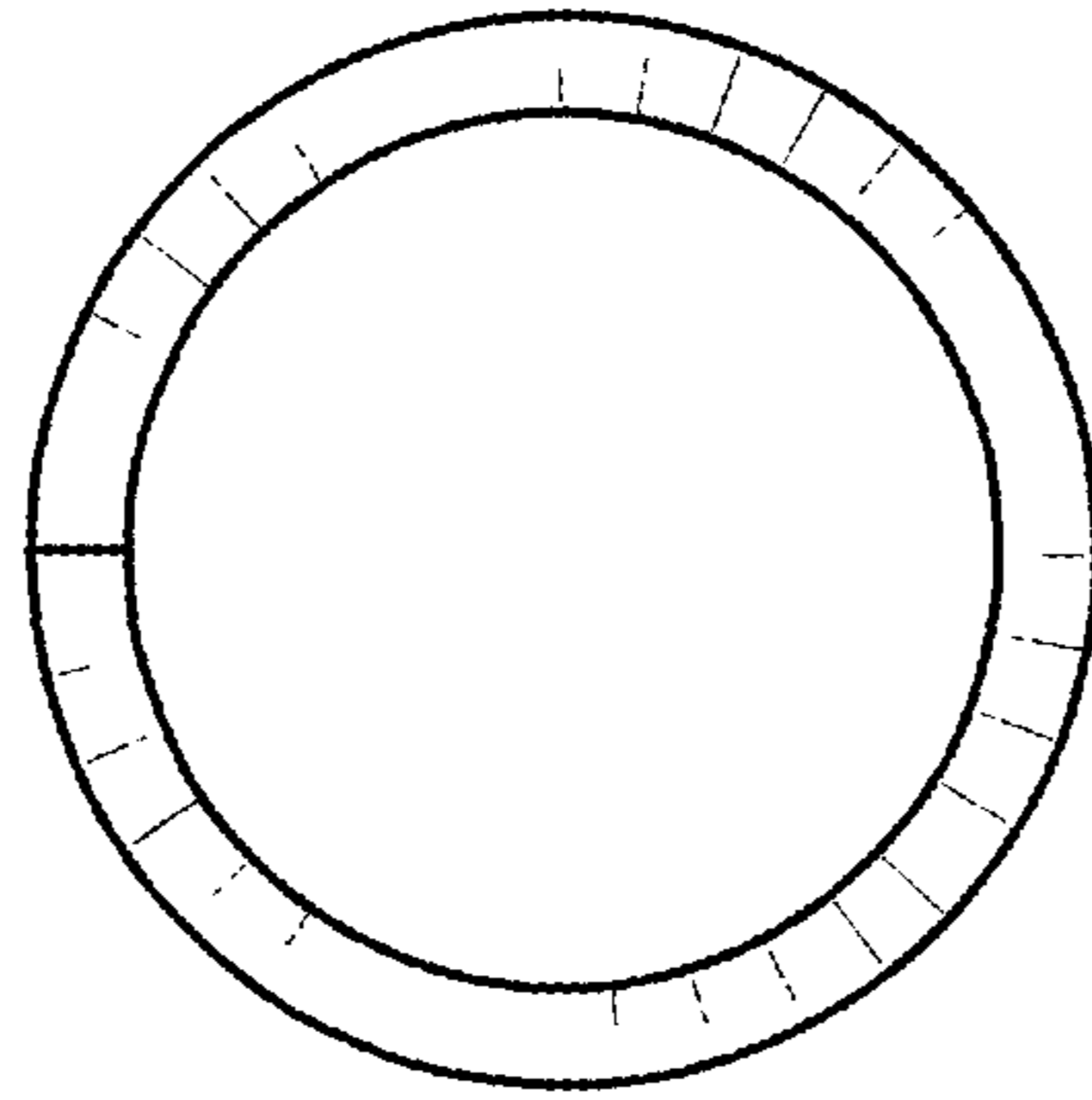


FIG. 8

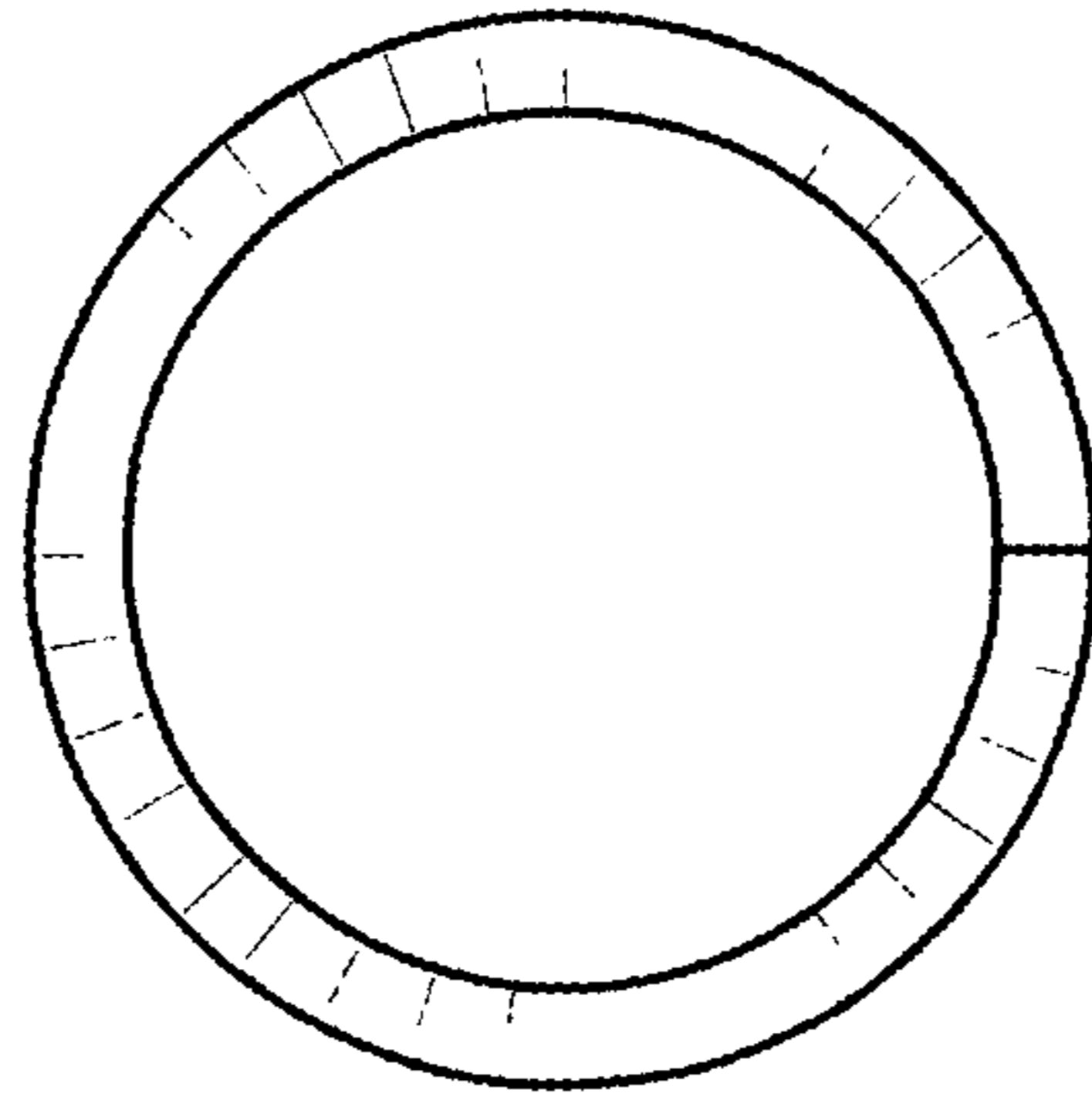


FIG. 9