

US00D917824S

(12) **United States Design Patent** (10) **Patent No.:** **US D917,824 S**
Wyse et al. (45) **Date of Patent:** **** Apr. 27, 2021**

(54) **MOVER CART**

(71) Applicant: **Granite Industries, Inc.**, Archbold, OH (US)

(72) Inventors: **Steven J. Wyse**, Archbold, OH (US);
Brent A. Johnston, West Unity, OH (US)

(73) Assignee: **Granite Industries, Inc.**, Archbold, OH (US)

(**) Term: **15 Years**

(21) Appl. No.: **29/717,063**

(22) Filed: **Dec. 13, 2019**

(51) **LOC (13) Cl.** **12-02**

(52) **U.S. Cl.**
USPC **D34/27**

(58) **Field of Classification Search**
USPC D34/12-27; D6/675, 675.2, 675.5, 329
CPC .. B62B 1/00; B62B 1/008; B62B 1/12; B62B 3/002; B62B 3/006; B62B 3/02; B62B 3/10; B62B 5/0083
See application file for complete search history.

(56) **References Cited**

U.S. PATENT DOCUMENTS

- 2,361,674 A * 10/1944 Zeindler B62B 3/04
254/3 C
- 5,577,568 A * 11/1996 Scott B62B 5/0026
180/11
- D412,044 S * 7/1999 Deal D34/12
- D522,708 S * 6/2006 Chang D34/24
- D530,876 S 10/2006 Wyse
- D661,860 S * 6/2012 Ryan D34/26
- D752,307 S 3/2016 Wyse et al.
- D752,308 S 3/2016 Wyse et al.
- D752,834 S 3/2016 Wyse et al.
- D752,835 S 3/2016 Wyse et al.
- D752,836 S 3/2016 Wyse et al.

- D752,837 S 3/2016 Wyse et al.
- 9,868,455 B1 1/2018 Deninno
- D822,936 S * 7/2018 Yang D34/27
- D827,969 S * 9/2018 Khubani D34/20
- 2010/0096820 A1 * 4/2010 Hailston B62B 3/0618
280/47.11
- 2012/0114454 A1 * 5/2012 Stransky B62B 1/145
414/490

(Continued)

OTHER PUBLICATIONS

Granite Hand Truck, announced 2020 [online], [site visited Dec. 10, 2020]. Available from internet, URL: <https://store.graniteind.com/product/granite-industries-block-and-roll-hand-truck> (Year: 2020).*

Primary Examiner — George A Bugg
Assistant Examiner — Tamara L Hahn

(74) *Attorney, Agent, or Firm* — Hovey Williams LLP

(57) **CLAIM**

The ornamental design for a mover cart, as shown and described.

DESCRIPTION

FIG. 1 is a front perspective view of a mover cart embodying our design;

FIG. 2 is a rear perspective view of the mover cart as depicted in FIG. 1;

FIG. 3 is a side elevation view of the mover cart as shown in FIGS. 1 and 2, with the opposite side elevation view being a mirror image thereof;

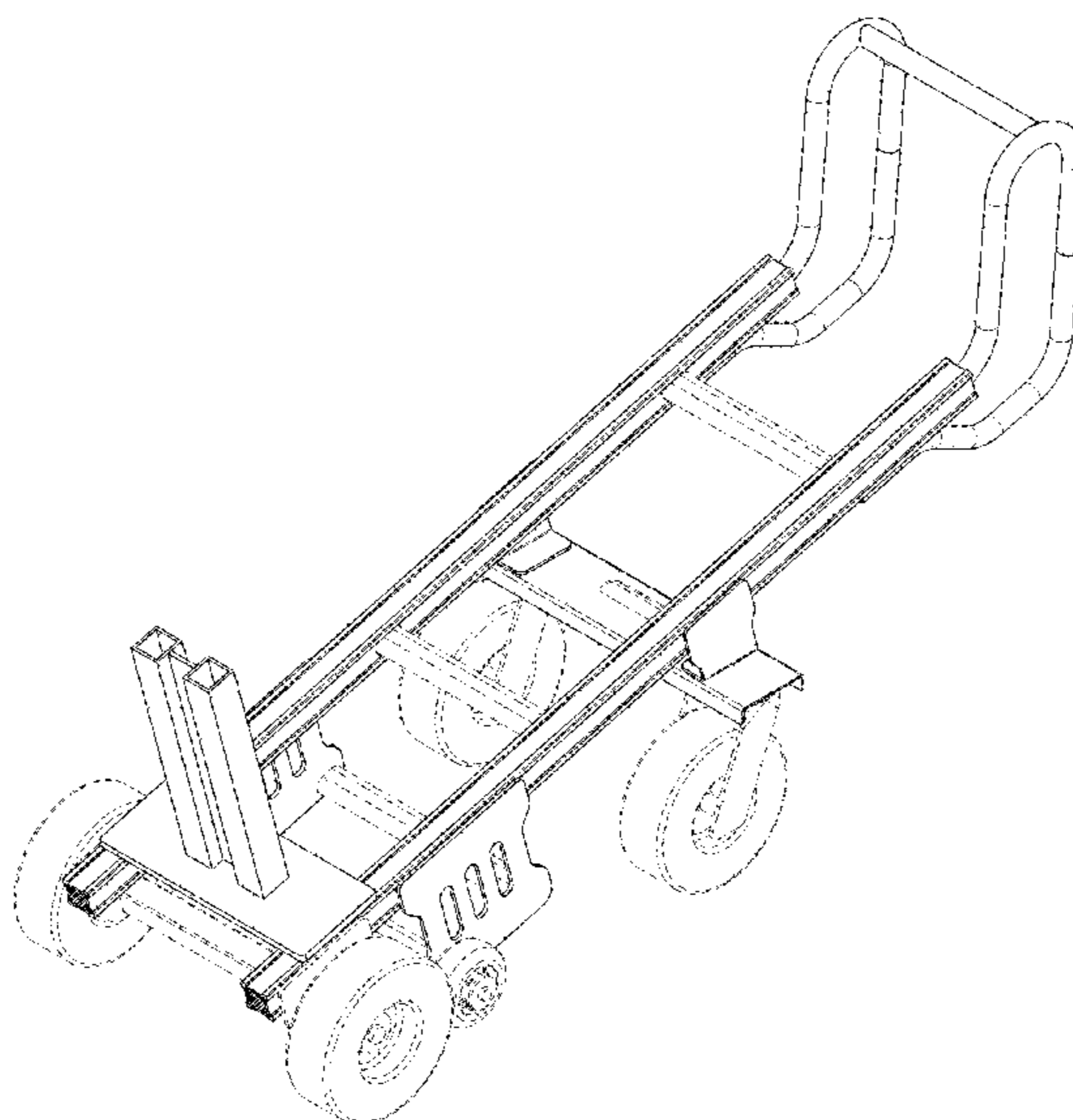
FIG. 4 is a top plan view of the mover cart as depicted in FIGS. 1-3;

FIG. 5 is a front elevation view of the mover cart as shown in FIGS. 1-4; and,

FIG. 6 is a rear elevation view of the mover cart as shown in FIGS. 1-5.

The broken lines depict portions of a mover cart and form no part of the claimed design.

1 Claim, 6 Drawing Sheets



(56)

References Cited

U.S. PATENT DOCUMENTS

2013/0043663 A1* 2/2013 Mitchell B62B 3/0606
280/47.18
2015/0284016 A1* 10/2015 Berlinger B62B 1/12
280/47.18
2018/0346009 A1* 12/2018 Mendoza B62B 3/02
2019/0047601 A1* 2/2019 Murphy B62B 1/14
2020/0283049 A1* 9/2020 Mendoza B62B 1/002

* cited by examiner

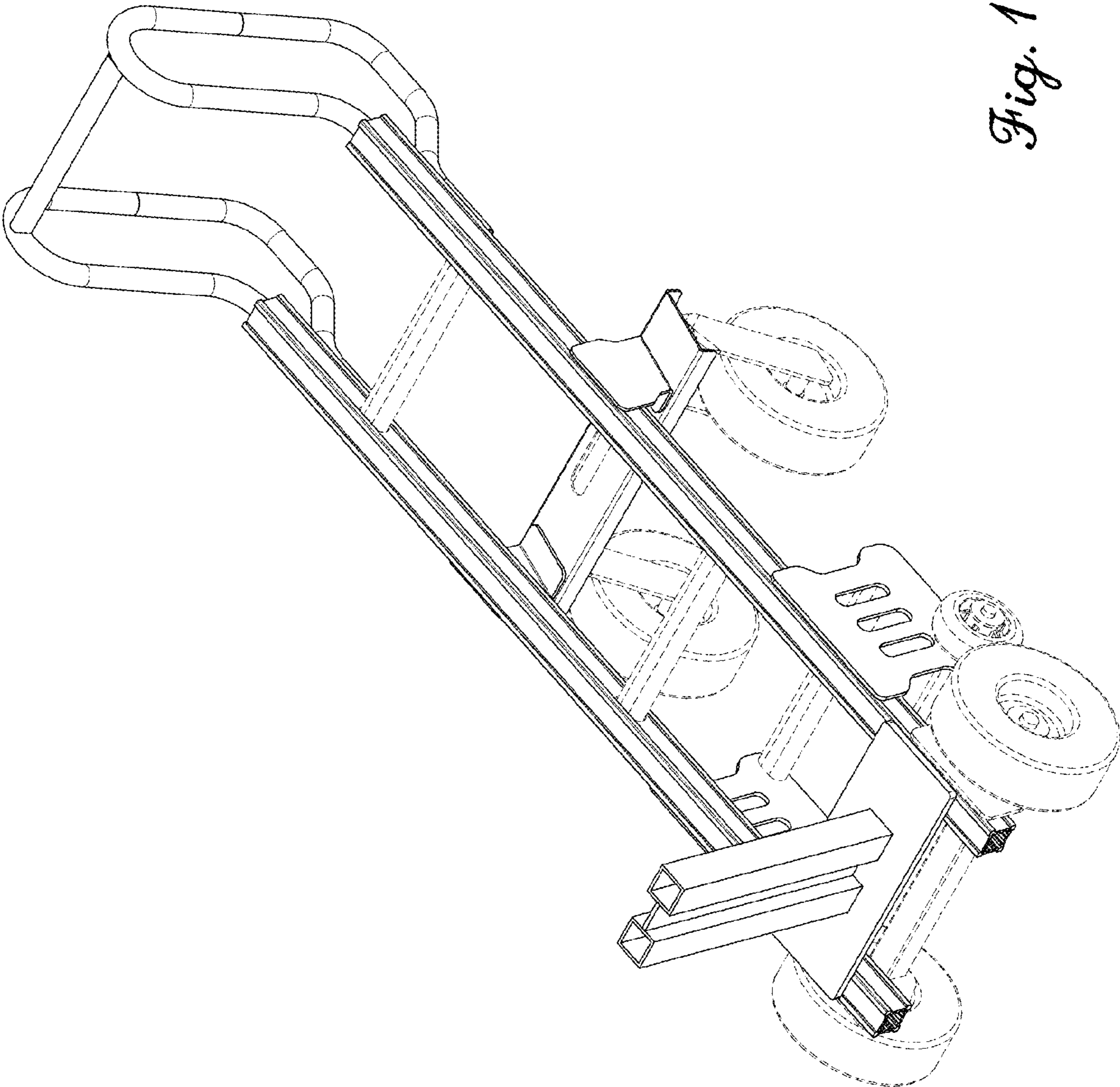


Fig. 1.

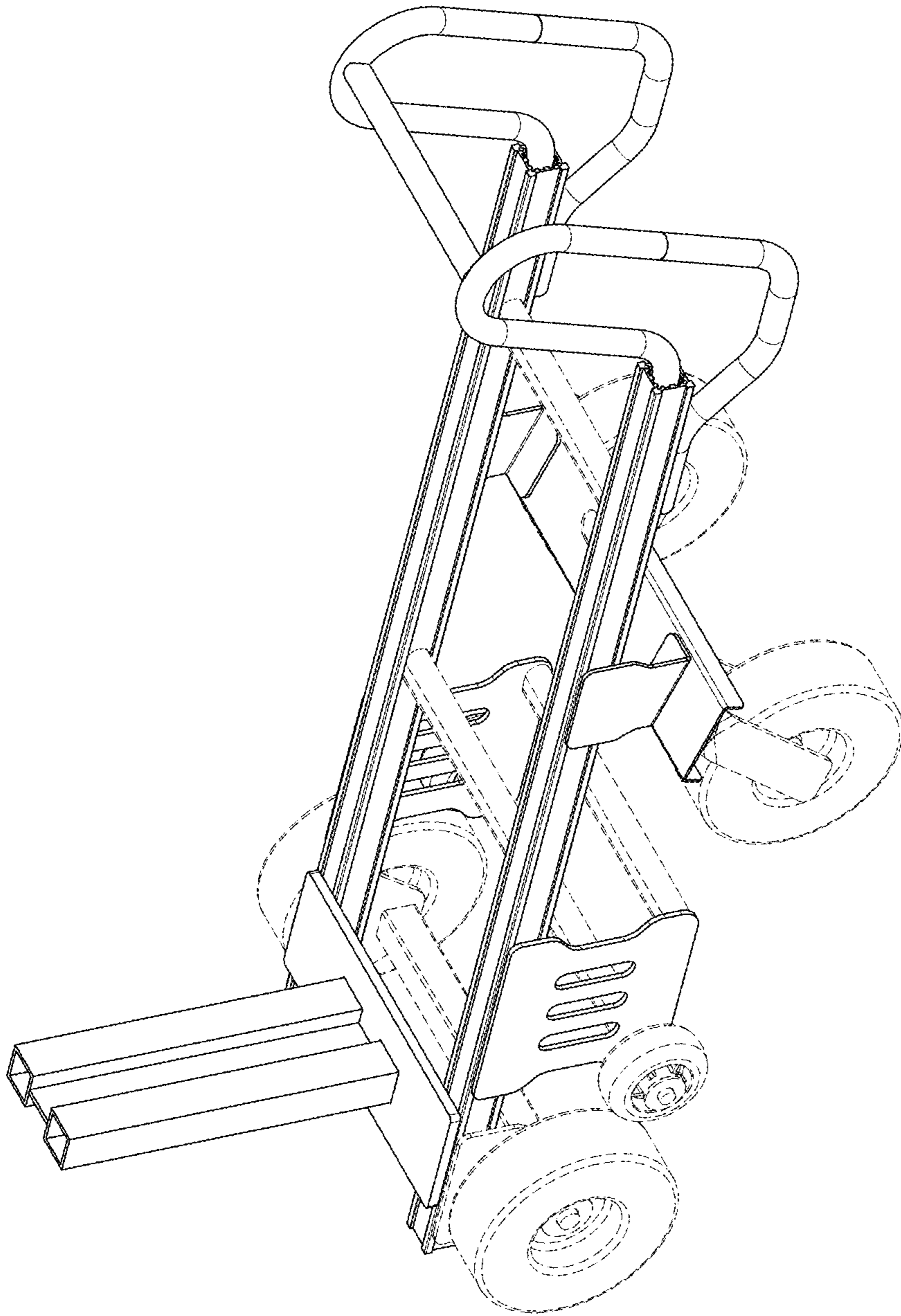


Fig. 2.

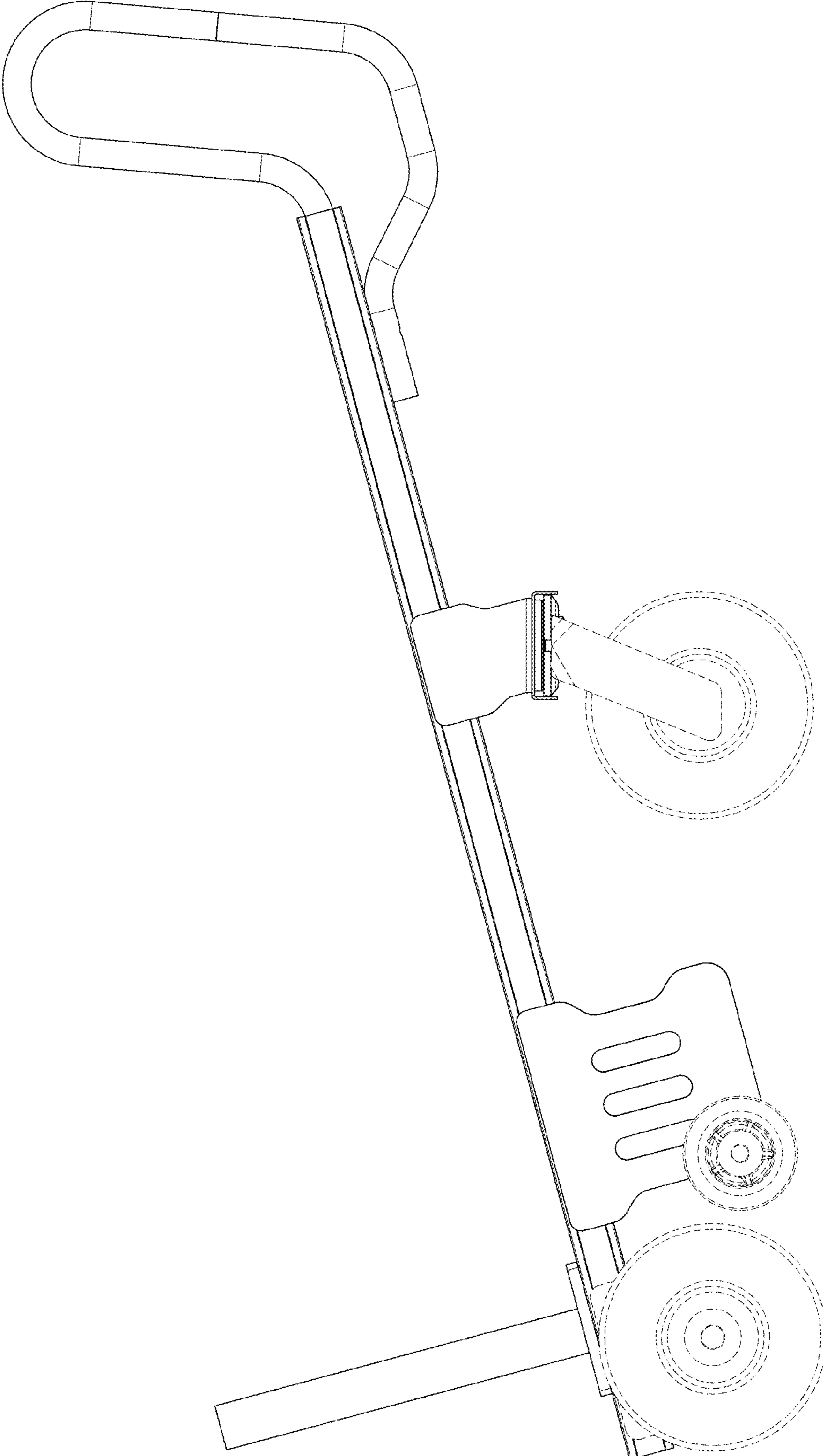


Fig. 3.

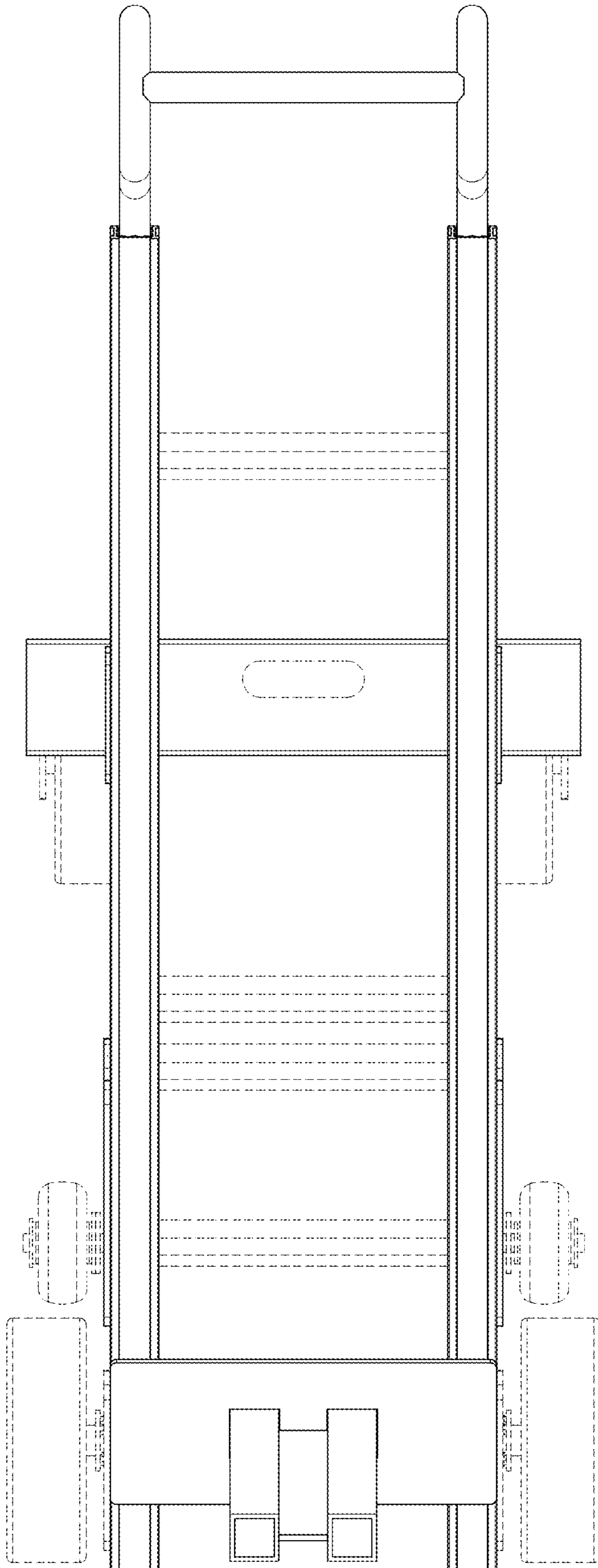


Fig. 4.

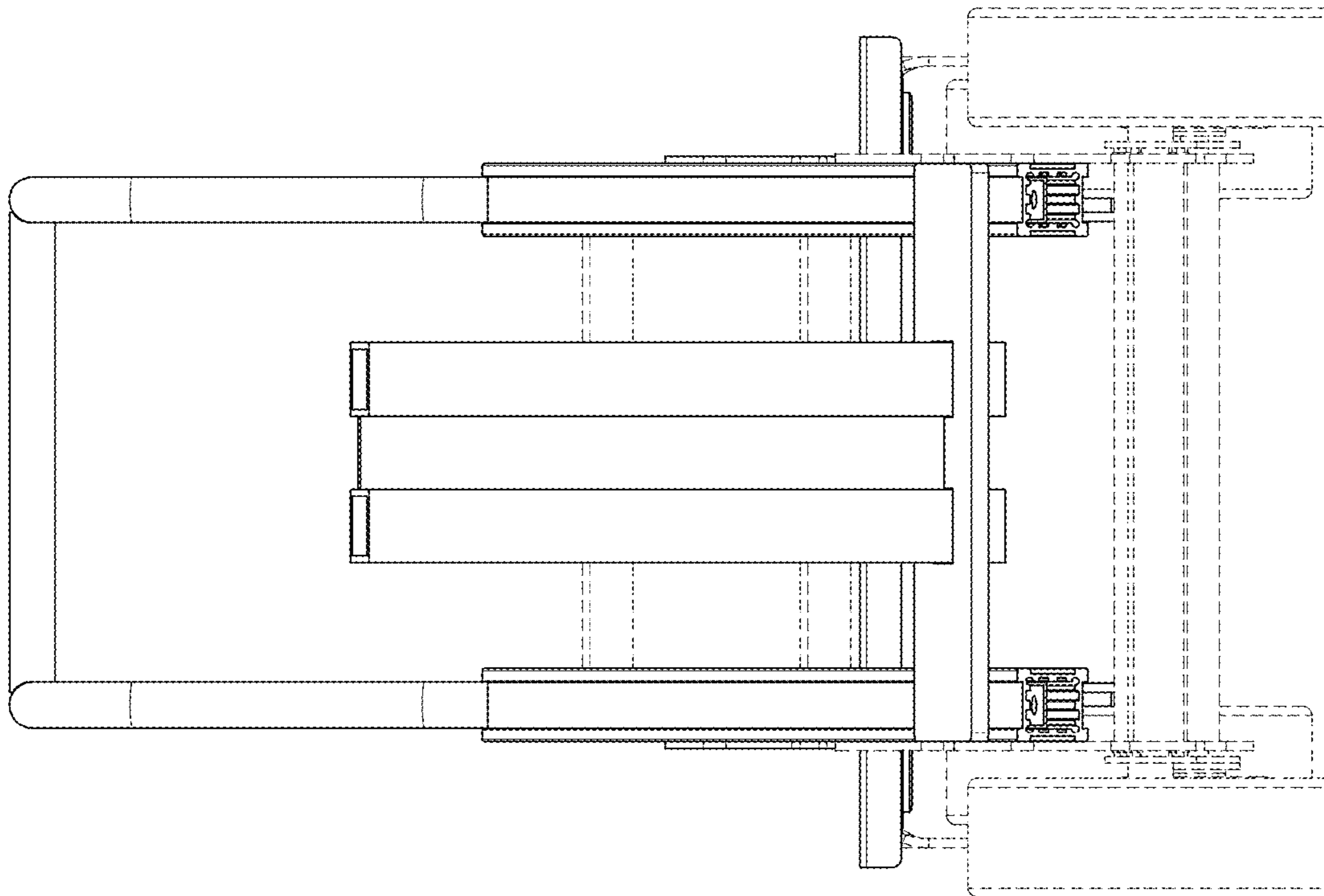


Fig. 5.

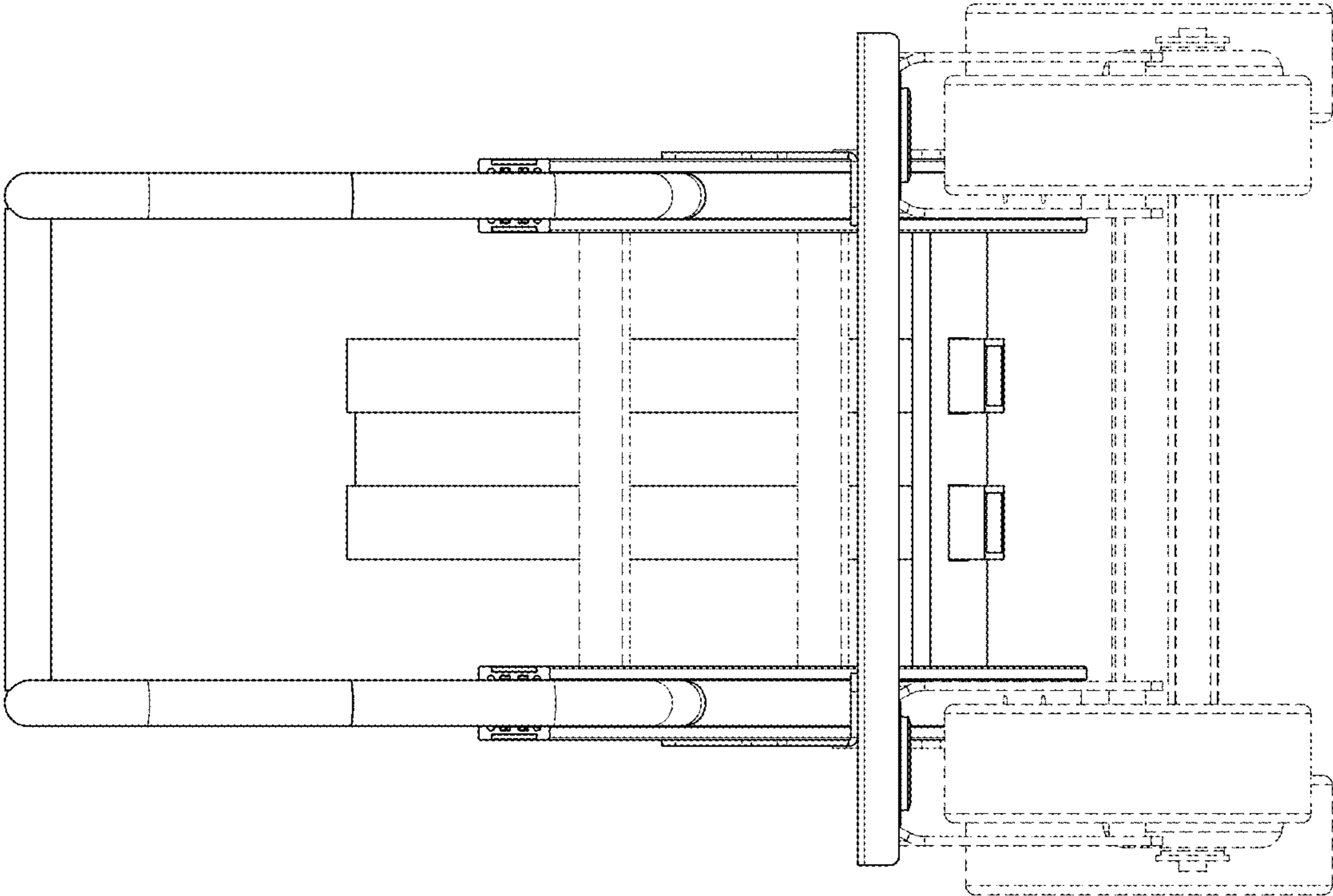


Fig. 6.