



US00D917823S

(12) **United States Design Patent** (10) **Patent No.:** **US D917,823 S**
Cutler et al. (45) **Date of Patent:** **** Apr. 27, 2021**

(54) **TOOL CREEPER**

(71) Applicant: **Harbor Freight Tools USA, Inc.**,
Calabasas, CA (US)

(72) Inventors: **Jeffrey N. Cutler**, Anderson, SC (US);
Jessie Guevara, Lawndale, CA (US)

(73) Assignee: **Harbor Freight Tools USA, INC.**,
Calabasas, CA (US)

(**) Term: **15 Years**

(21) Appl. No.: **29/716,700**

(22) Filed: **Dec. 11, 2019**

(51) **LOC (13) Cl.** **12-02**

(52) **U.S. Cl.**
USPC **D34/23**

(58) **Field of Classification Search**
USPC D34/12-27; D3/313, 309; D7/552.1,
D7/553, 555
CPC . B25H 3/023; B25H 3/00; B25H 3/06; B25H
5/0011
See application file for complete search history.

(56) **References Cited**

U.S. PATENT DOCUMENTS

4,874,209	A	10/1989	Spitzer et al.	
D414,305	S *	9/1999	Rohn	D32/31
D461,614	S *	8/2002	Liu	D34/23
D473,427	S *	4/2003	Kleckauskas	D7/549
D628,386	S *	12/2010	Kohn	D3/313
D685,613	S *	7/2013	Baez	D7/553.1
8,708,168	B2	4/2014	Lin	
D730,528	S *	5/2015	Yang	D24/185
D822,934	S *	7/2018	Duarte	D34/18
D854,774	S *	7/2019	Liao	D34/23
D863,709	S *	10/2019	Hong	D34/23

D872,409	S *	1/2020	Chen	D34/27
D887,103	S *	6/2020	Tan	D34/23
2006/0028819	A1	2/2006	Shankland et al.	
2012/0180250	A1 *	7/2012	Ricklefsen	A47L 9/0009 15/300.1

OTHER PUBLICATIONS

Pittsburgh Tool Creeper, announced Aug. 2019 [online], [site visited Mar. 2, 2021], Available from internet, URL: https://www.youtube.com/watch?v=9FS_V1b2ZJM&feature=emb_title (Year: 2019).*
Mychanic Creeper, announced Nov. 2019 [online], [site visited Mar. 2, 2021], Available from internet, URL: https://www.amazon.com/MYCHANIC-Rolling-Tool-Creeper-Black/dp/B083VRMMSZ/ref=sr_1_55_sspa (Year: 2019).*

(Continued)

Primary Examiner — George A Bugg
Assistant Examiner — Tamara L Hahn

(74) *Attorney, Agent, or Firm* — McAndrews Held & Malloy, Ltd.

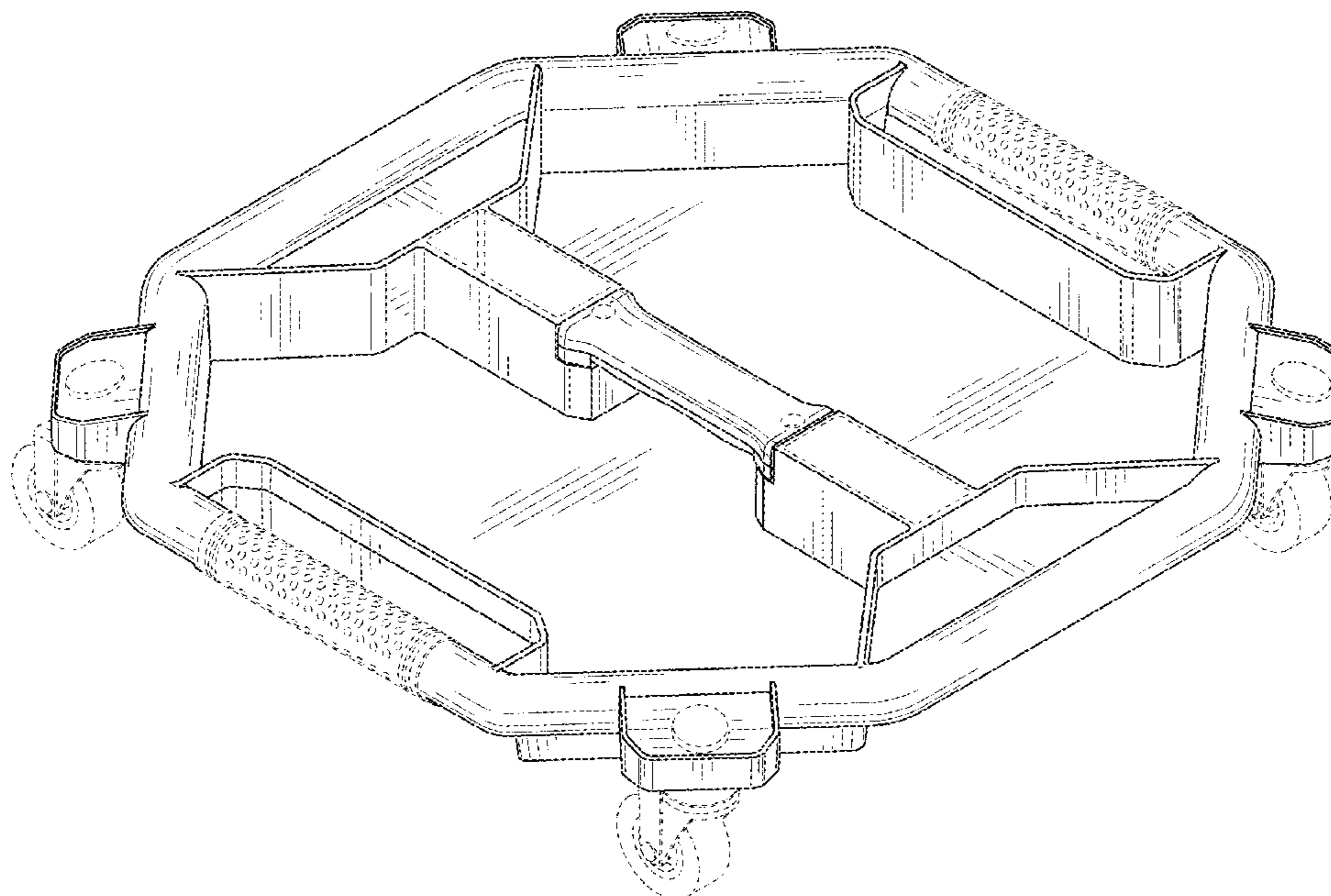
(57) **CLAIM**

The ornamental design for a tool creeper, as shown and described.

DESCRIPTION

FIG. 1 is a front-top perspective view of a tool creeper showing our new design;
FIG. 2 is a front elevation view thereof;
FIG. 3 is a rear elevation view thereof;
FIG. 4 is a right side elevation view thereof;
FIG. 5 is a left side elevation view thereof;
FIG. 6 is a top plan view thereof;
FIG. 7 is a bottom plan view thereof; and,
FIG. 8 is a rear-bottom perspective view thereof.
The dashed broken lines in the figures illustrate portions of the tool creeper that form no part of the claimed design.

1 Claim, 6 Drawing Sheets



(56)

References Cited

OTHER PUBLICATIONS

Performance Creeper, announced Oct. 2020 [online], [site visited Mar. 2, 2021], Available from internet, URL: https://www.amazon.com/Performance-Tool-W85032-Separated-Professional/dp/B08L8B5G82/ref=sr_1_5 (Year: 2020).*

Jegs Creeper, announced 2021 [online], [site visited Mar. 2, 2021], Available from internet, URL: https://www.jegs.com/i/JEGS/555/81176/10002/-1?gclid=EAlalQobChMI3LPPq6KA7wIVUfvICh0jvQzMEAQYAiABEgLEpvD_BwE# (Year: 2021).*

“Tool Creeper A Tool Tray That Can Keep Up With You” found on the Internet at mychanic.com: <<https://mychanic.com/products/tool-creeper>> (Last visited Nov. 6, 2019).

* cited by examiner

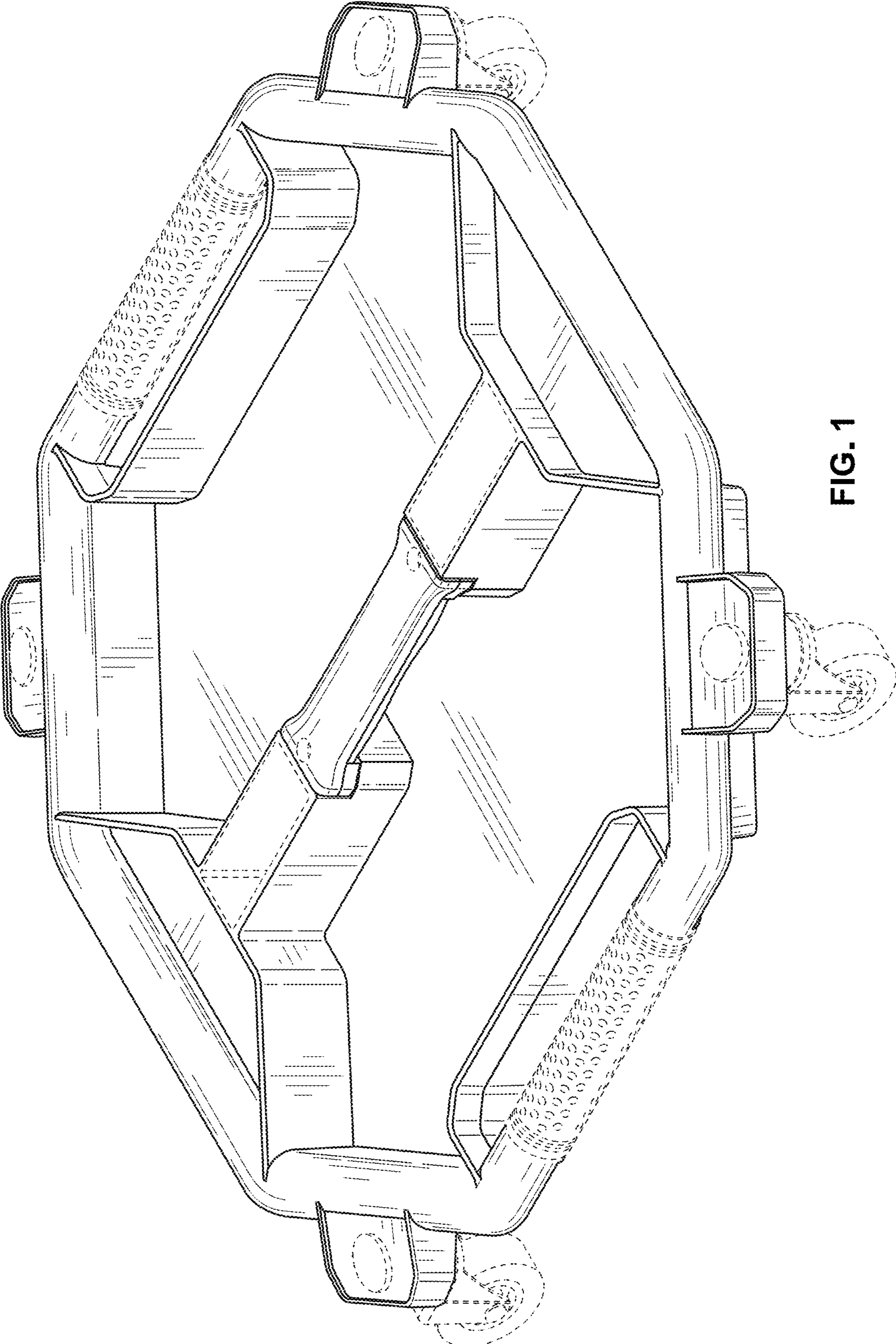


FIG. 1

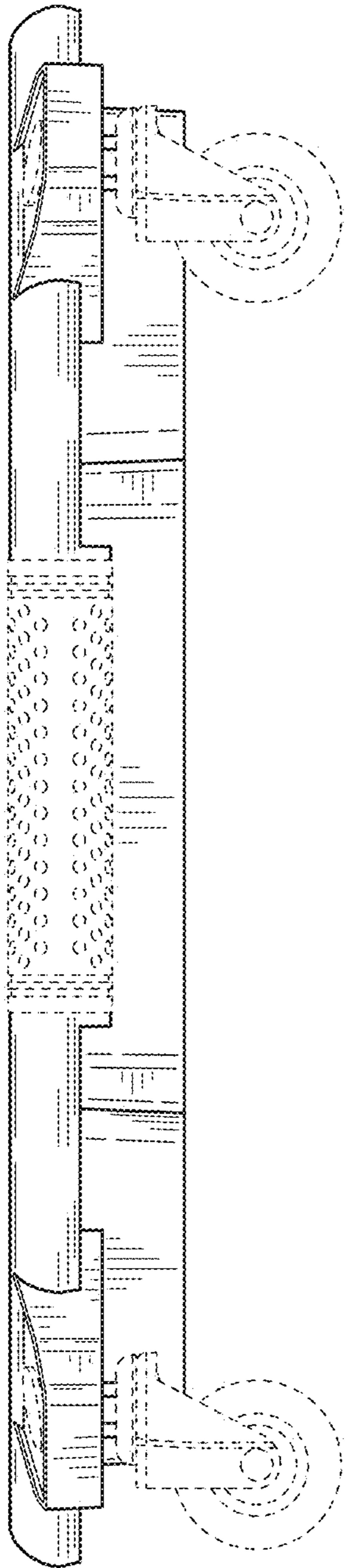


FIG. 2

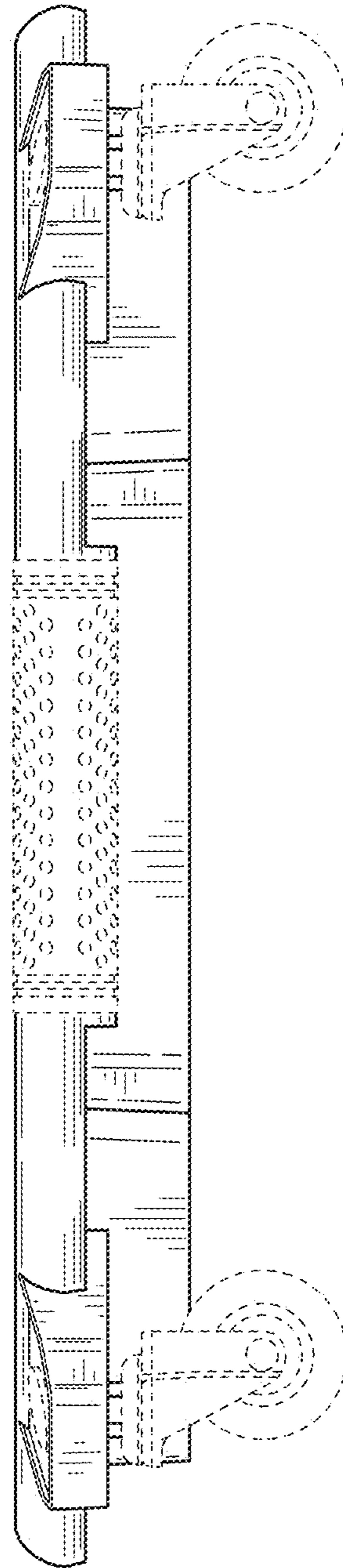


FIG. 3

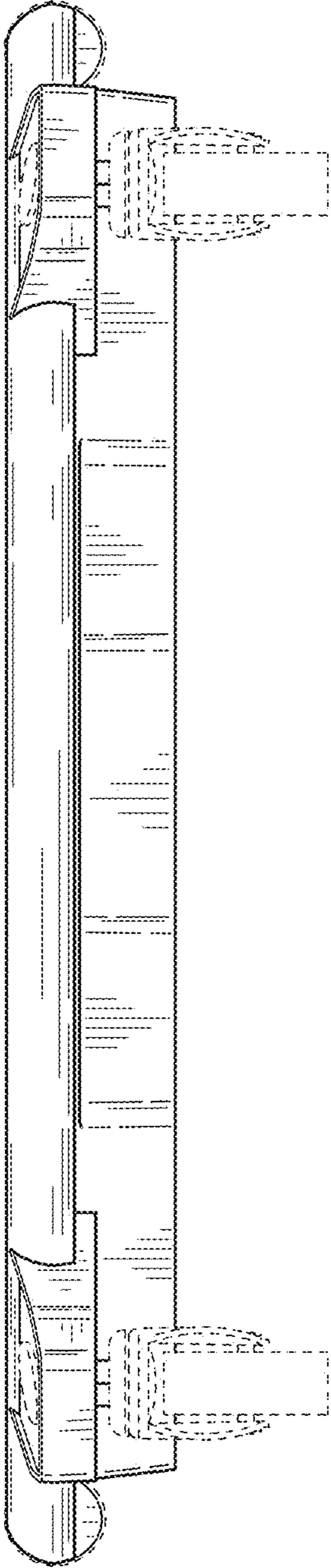


FIG. 4

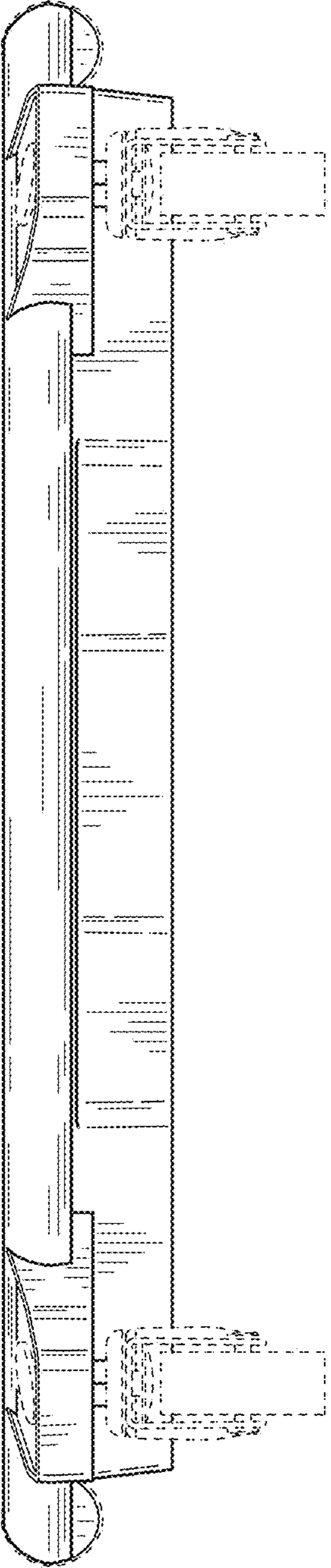


FIG. 5

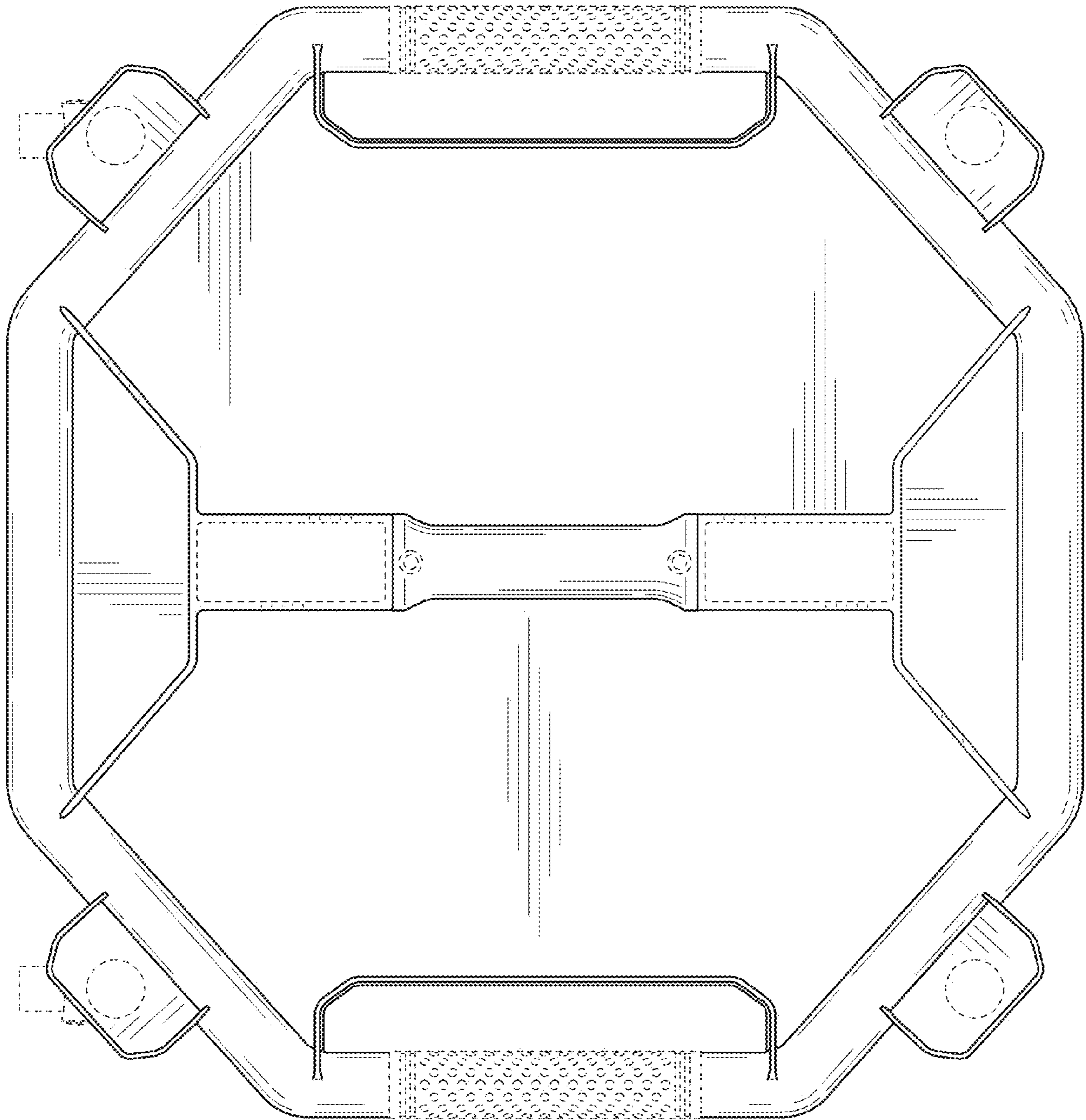


FIG. 6

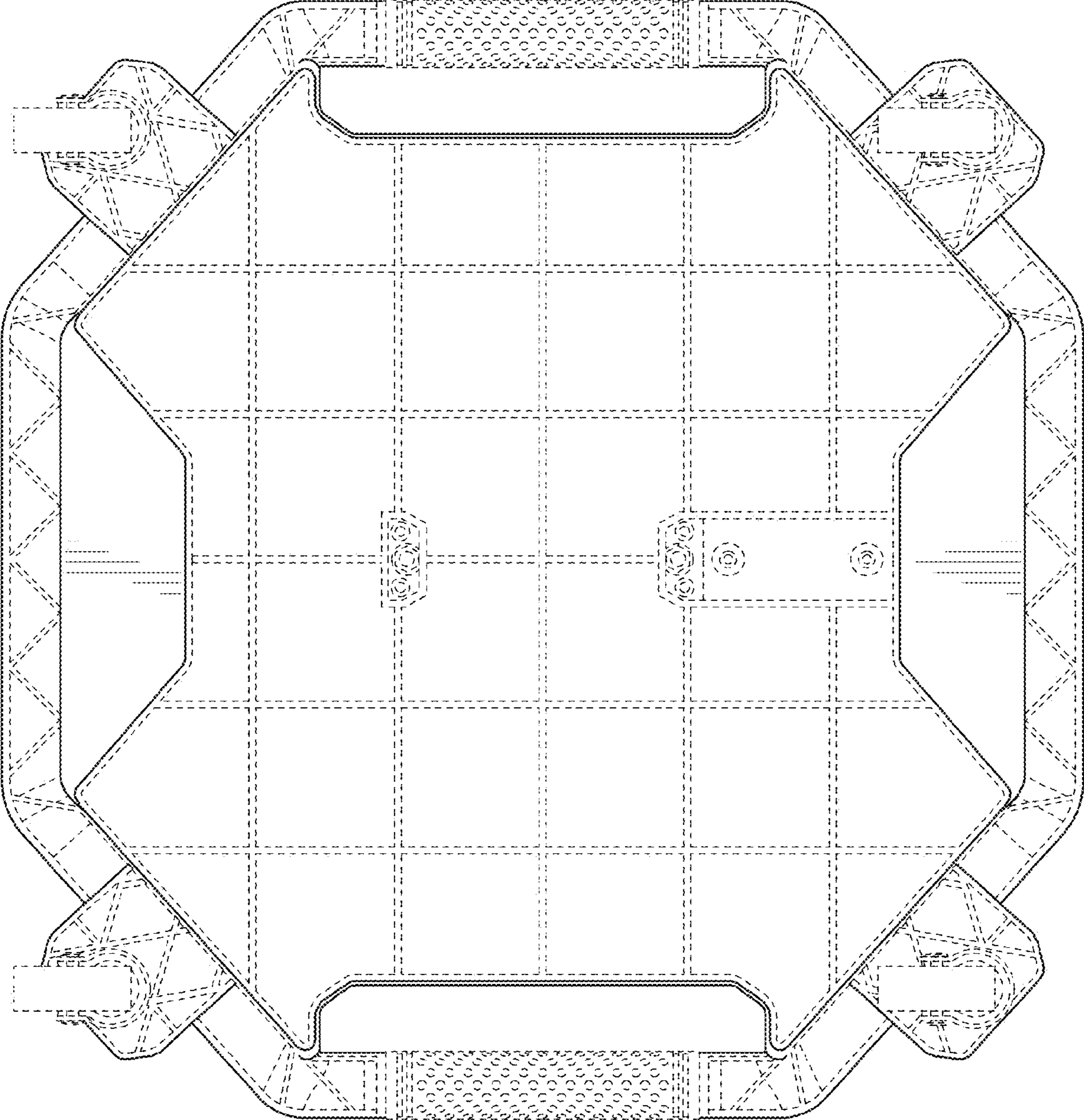


FIG. 7

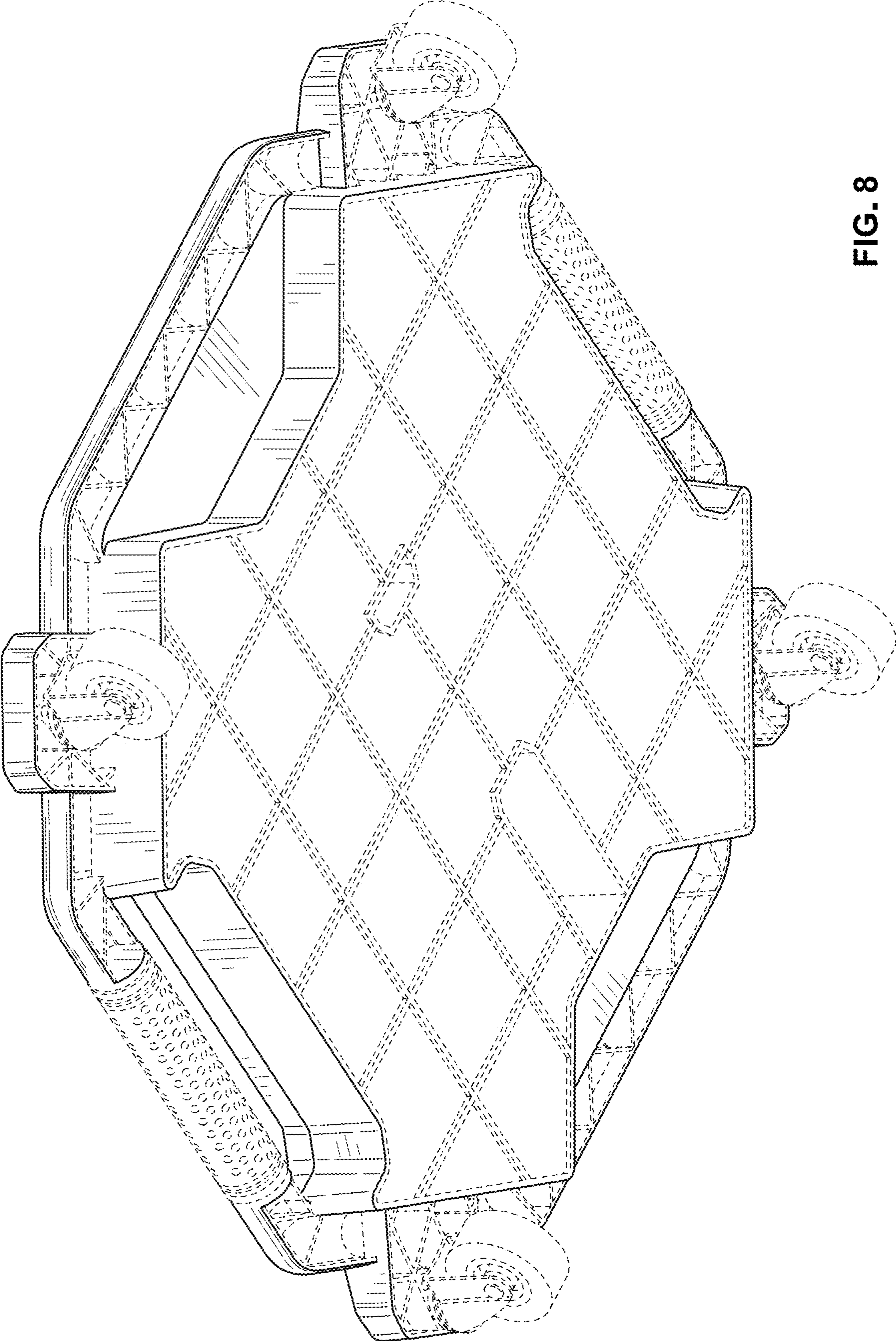


FIG. 8