



US00D917821S

(12) **United States Design Patent**  
**Matecki et al.**

(10) **Patent No.:** **US D917,821 S**  
(45) **Date of Patent:** **\*\* Apr. 27, 2021**

- (54) **TROLLEY WITH BAGS**
- (71) Applicant: **OCADO INNOVATION LIMITED**,  
Hatfield (GB)
- (72) Inventors: **Marcin Matecki**, Hatfield (GB);  
**Benjamin Macdonald**, Hatfield (GB);  
**Claude Willis**, Hatfield (GB)
- (73) Assignee: **OCADO INNOVATION LIMITED**,  
Hatfield (GB)

6,547,264 B1 \* 4/2003 Blackburn ..... B62B 5/00  
108/144.11  
D487,604 S \* 3/2004 Van Landingham, Jr. .... D34/12  
D618,419 S \* 6/2010 Catron ..... D34/12  
D809,730 S \* 2/2018 Churchvara ..... D34/21  
10,246,116 B2 \* 4/2019 Oltman ..... B25H 1/08  
D862,027 S \* 10/2019 Lizotte ..... D34/21  
D869,809 S \* 12/2019 Dardashti ..... D34/14  
D878,700 S \* 3/2020 Dardashti ..... D34/14  
D901,122 S \* 11/2020 Lee ..... D34/21  
2004/0066012 A1 \* 4/2004 Choi ..... B62B 3/02  
280/47.35

(Continued)

- (\*\*) Term: **15 Years**
- (21) Appl. No.: **29/699,419**
- (22) Filed: **Jul. 25, 2019**

*Primary Examiner* — Kevin K Rudzinski  
*Assistant Examiner* — Tamara L Hahn  
(74) *Attorney, Agent, or Firm* — Buchanan Ingersoll &  
Rooney PC

(30) **Foreign Application Priority Data**

Jan. 25, 2019 (DK) ..... 6053012

- (51) **LOC (13) Cl.** ..... **12-02**
- (52) **U.S. Cl.**  
USPC ..... **D34/20**
- (58) **Field of Classification Search**  
USPC ... D34/1, 12, 13, 14, 17, 19, 20, 21, 22, 23;  
D6/675, 675.2, 675.5  
CPC .. B62B 1/00; B62B 1/008; B62B 1/12; B62B  
3/002; B62B 3/006; B62B 3/02; B62B  
3/10; B62B 5/0083  
See application file for complete search history.

(57) **CLAIM**

The ornamental design for a trolley with bags, as shown and described.

**DESCRIPTION**

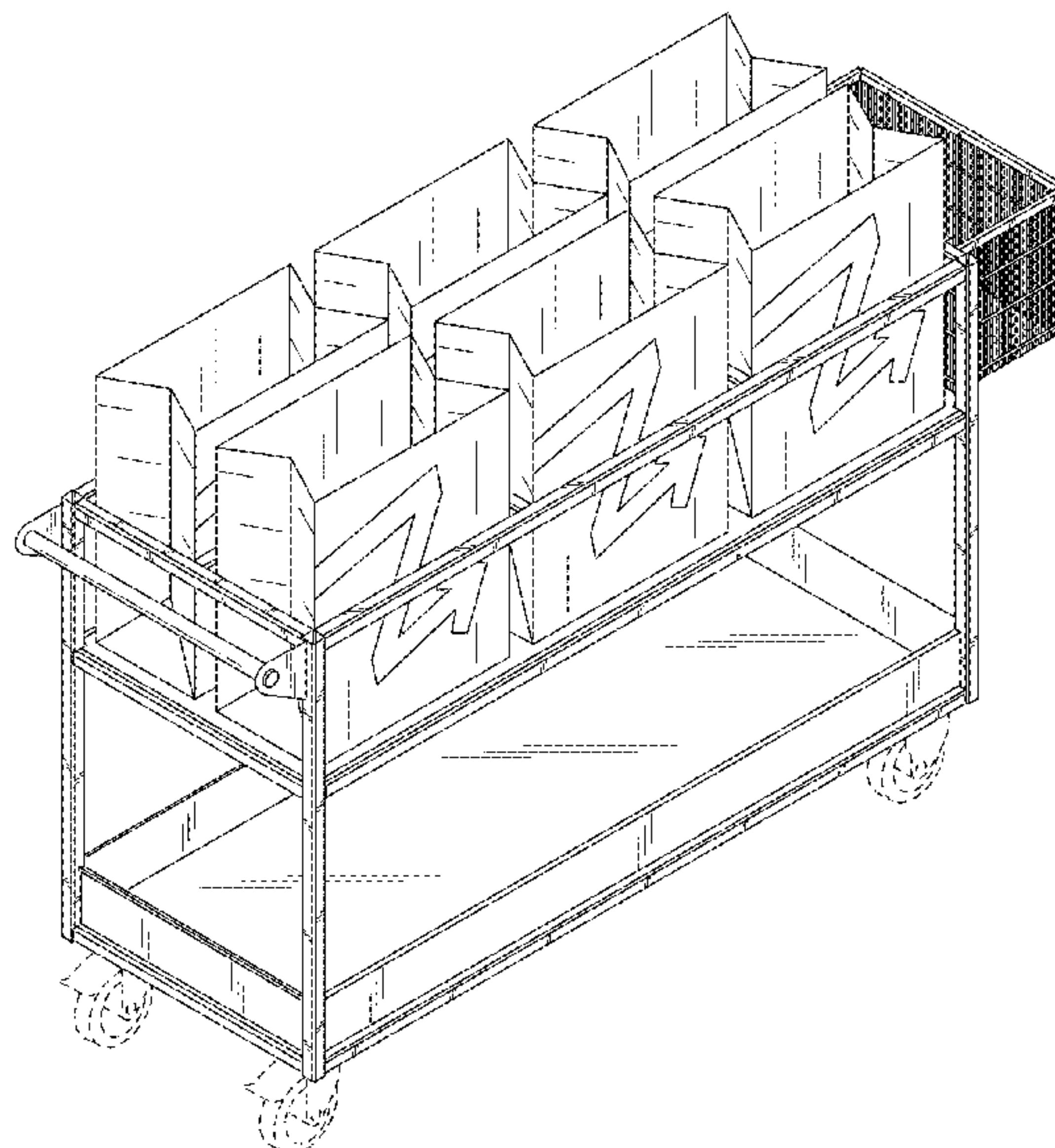
FIG. 1 is a top, perspective view of a trolley with bags;  
FIG. 2 is another top, perspective view of the trolley with  
bags shown in FIG. 1;  
FIG. 3 is a top view of the trolley with bags shown in FIG.  
1;  
FIG. 4 is a bottom view of the trolley with bags shown in  
FIG. 1;  
FIG. 5 is an enlarged front view of the trolley with bags  
shown in FIG. 1;  
FIG. 6 is an enlarged rear view of the trolley with bags  
shown in FIG. 1;  
FIG. 7 is a left-side view of view of the trolley with bags  
shown in FIGS. 1; and,  
FIG. 8 is a right-side view of the trolley with bags shown in  
FIG. 1.  
The broken lines in the drawings depict portions of a trolley  
with bags that form no part of the claimed design.

(56) **References Cited**

**U.S. PATENT DOCUMENTS**

D119,258 S \* 3/1940 Erickson ..... D6/675.1  
2,886,186 A \* 5/1959 Hamilton ..... A47B 31/00  
108/189  
D400,334 S \* 10/1998 Hawkins ..... D34/21  
5,839,739 A \* 11/1998 Shannon ..... B62B 5/06  
280/47.35

**1 Claim, 8 Drawing Sheets**



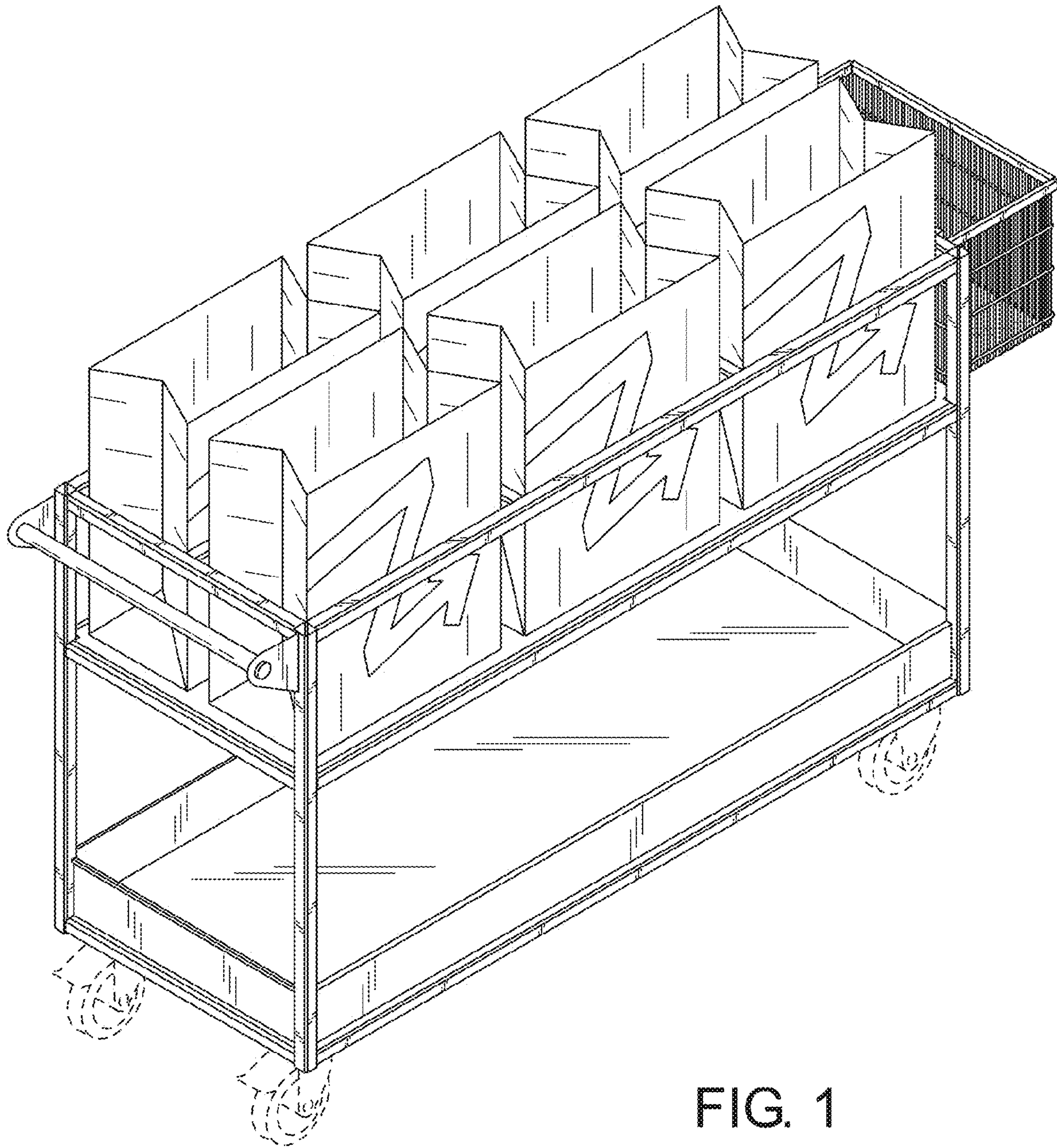
(56)

**References Cited**

U.S. PATENT DOCUMENTS

2004/0227315 A1 \* 11/2004 Van Lanningham, Jr. ....  
B62B 5/06  
280/47.35

\* cited by examiner





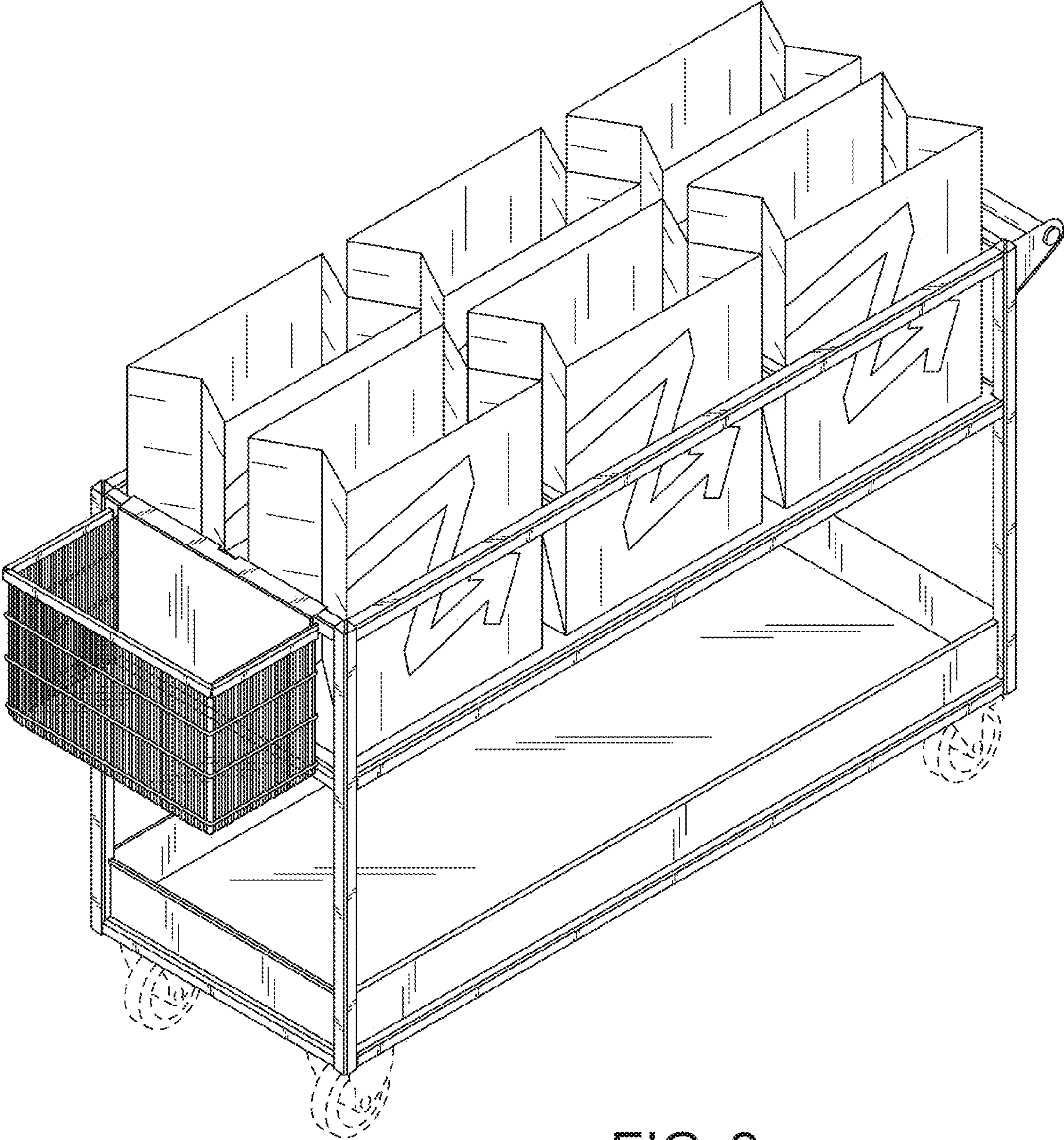


FIG. 2

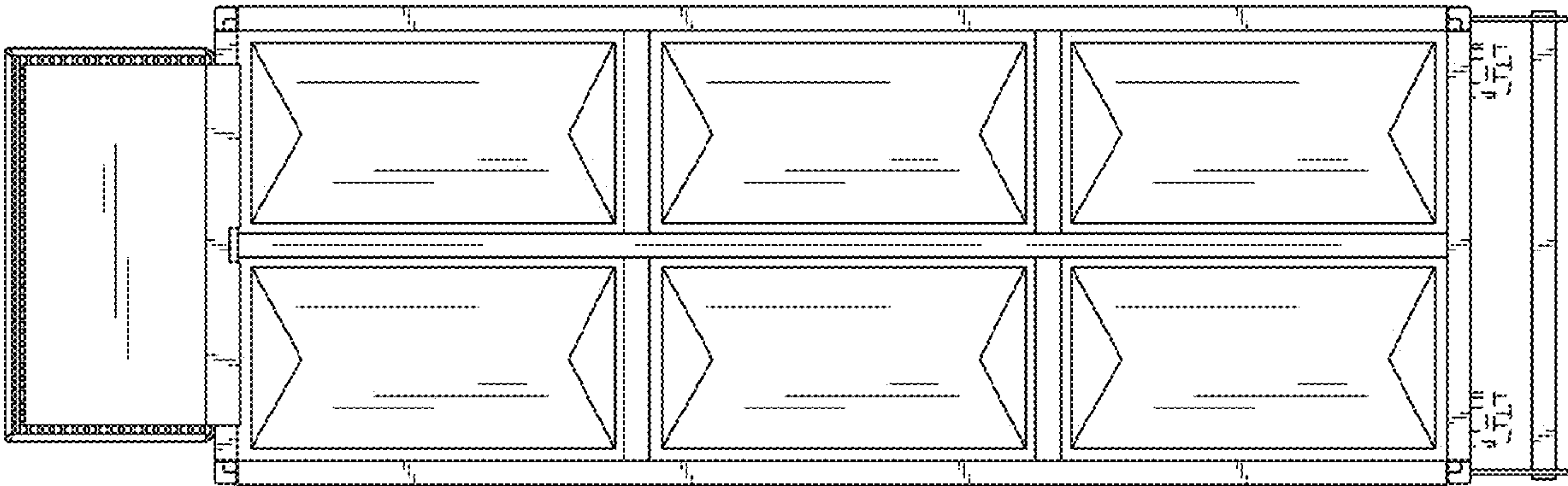


FIG. 3

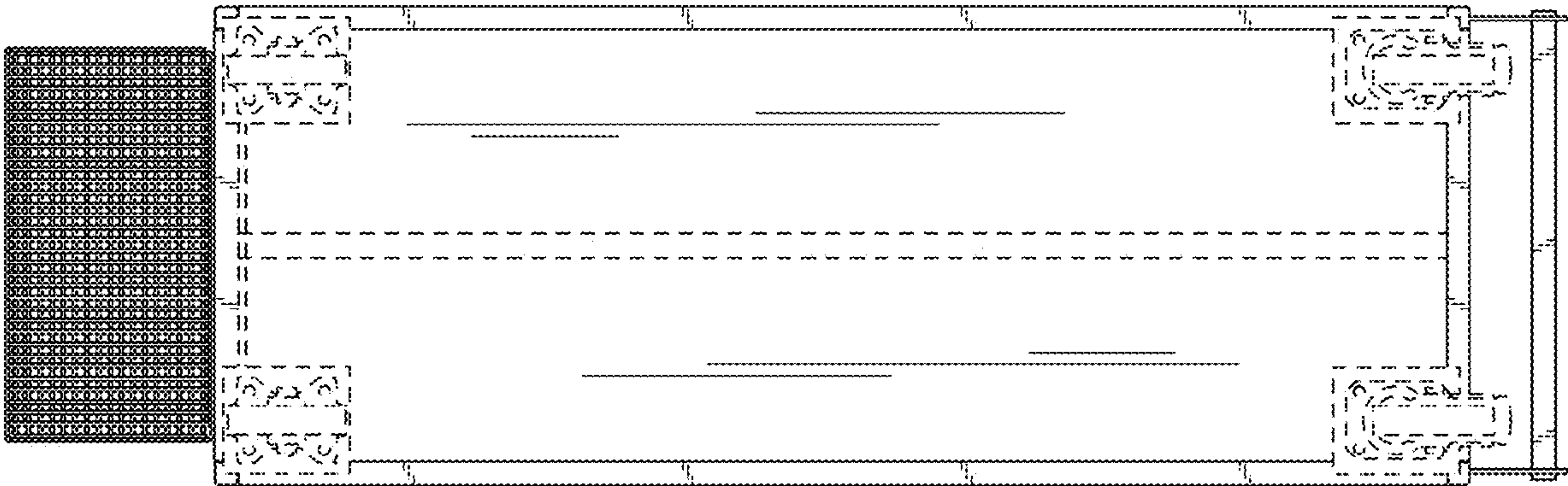


FIG. 4

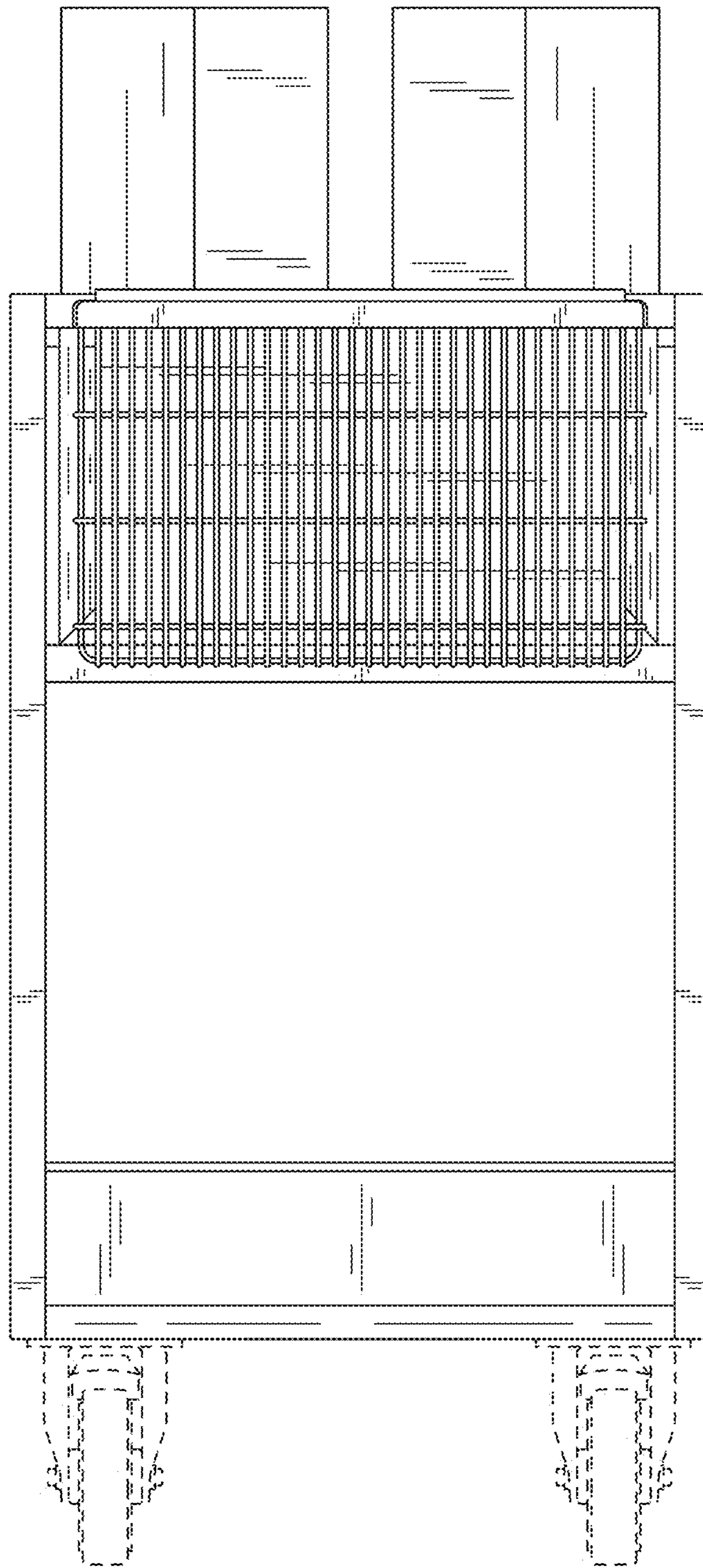


FIG. 5



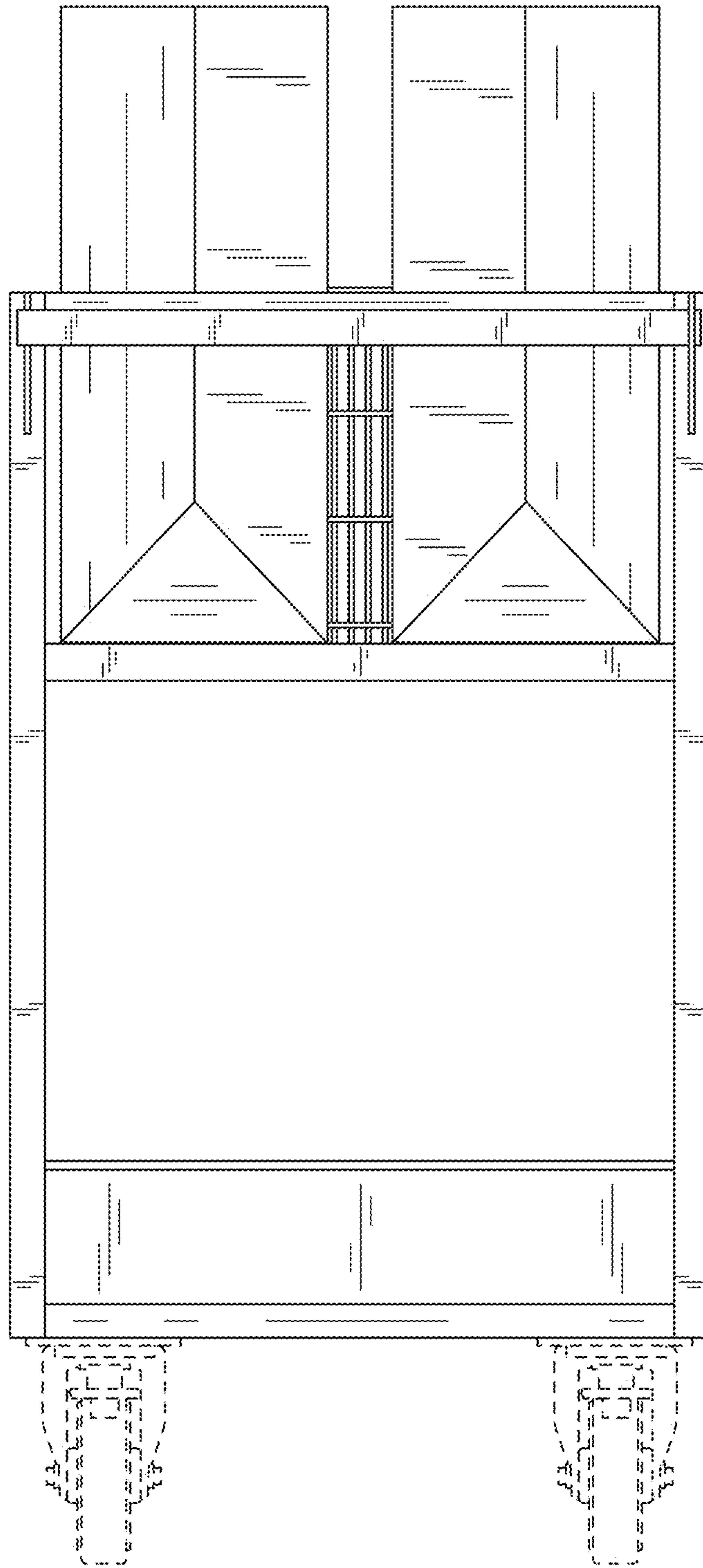


FIG. 6



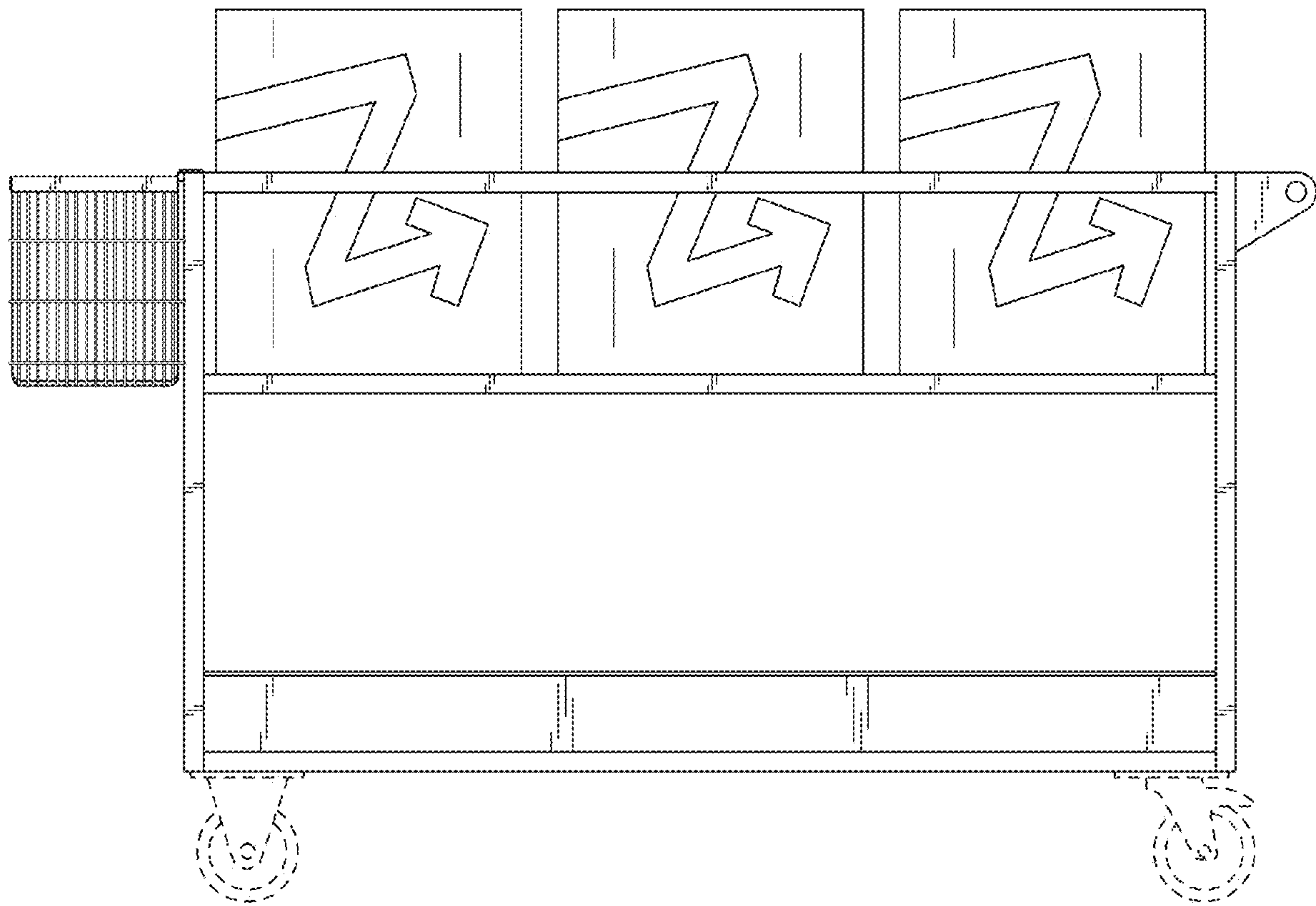


FIG. 7

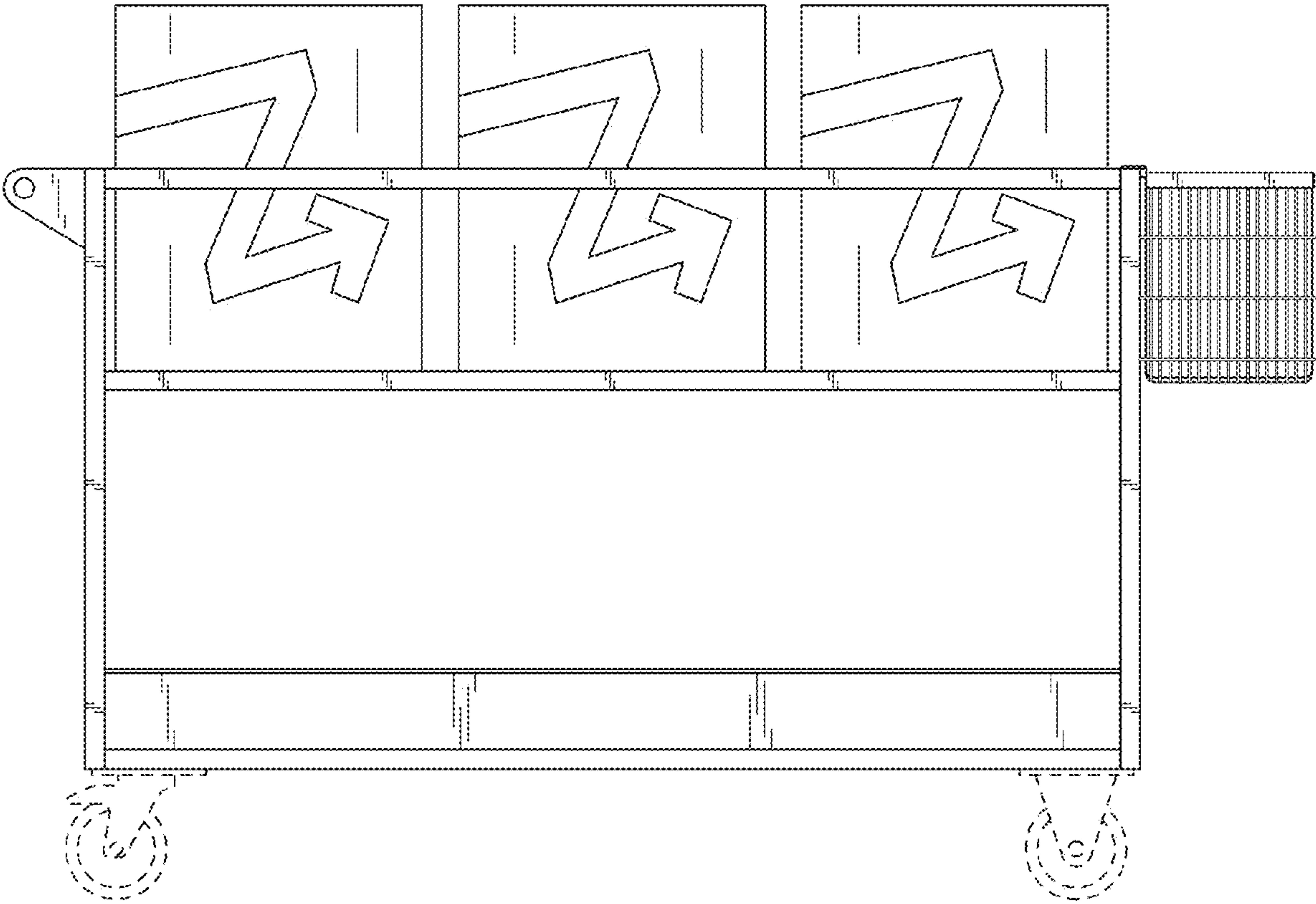


FIG. 8