



US00D917819S

(12) **United States Design Patent**  
**Chester**

(10) **Patent No.:** **US D917,819 S**

(45) **Date of Patent:** **\*\* Apr. 27, 2021**

(54) **WHEELBARROW ENCLOSURE**

(71) Applicant: **Toolspace Pty Ltd**, Garbutt (AU)

(72) Inventor: **Jason Chester**, Mount Low (AU)

(73) Assignee: **TOOLSPACE PTY LTD**, Garbutt (AU)

(\*\*) Term: **15 Years**

(21) Appl. No.: **29/687,798**

(22) Filed: **Apr. 16, 2019**

(30) **Foreign Application Priority Data**

Oct. 16, 2018 (AU) ..... 201816188

(51) **LOC (13) Cl.** ..... **12-02**

(52) **U.S. Cl.**  
USPC ..... **D34/16**

(58) **Field of Classification Search**

USPC ..... D34/12-27

CPC ..... B62B 1/204; B62B 1/20; B62B 5/0016;

B62B 5/0013; B60P 7/02; B60P 3/426

See application file for complete search history.

(56) **References Cited**

**U.S. PATENT DOCUMENTS**

D787,609 S \* 5/2017 Desberg ..... D21/425

D807,438 S \* 1/2018 Desberg ..... D21/425

D814,137 S \* 3/2018 Linto ..... D34/27  
2015/0040948 A1 \* 2/2015 Sickler ..... B62B 1/204  
134/21  
2020/0114945 A1 \* 4/2020 Chester ..... B62B 5/0013

**OTHER PUBLICATIONS**

Barrowmate, announced Dec. 2019 [online], [site visited Feb. 18, 2021], Available from internet, URL: <https://www.barrowmateaustralia.com.au/> (Year: 2019).\*

\* cited by examiner

*Primary Examiner* — George A Bugg

*Assistant Examiner* — Tamara L Hahn

(74) *Attorney, Agent, or Firm* — Innovation Capital Law Group, LLP; Vic Lin

(57) **CLAIM**

The ornamental design for a wheelbarrow enclosure, as shown and described.

**DESCRIPTION**

FIG. 1 is a top perspective view of a wheelbarrow enclosure;

FIG. 2 is a bottom perspective view thereof;

FIG. 3 is a top plan view thereof;

FIG. 4 is a bottom plan view thereof;

FIG. 5 is a left elevation view thereof;

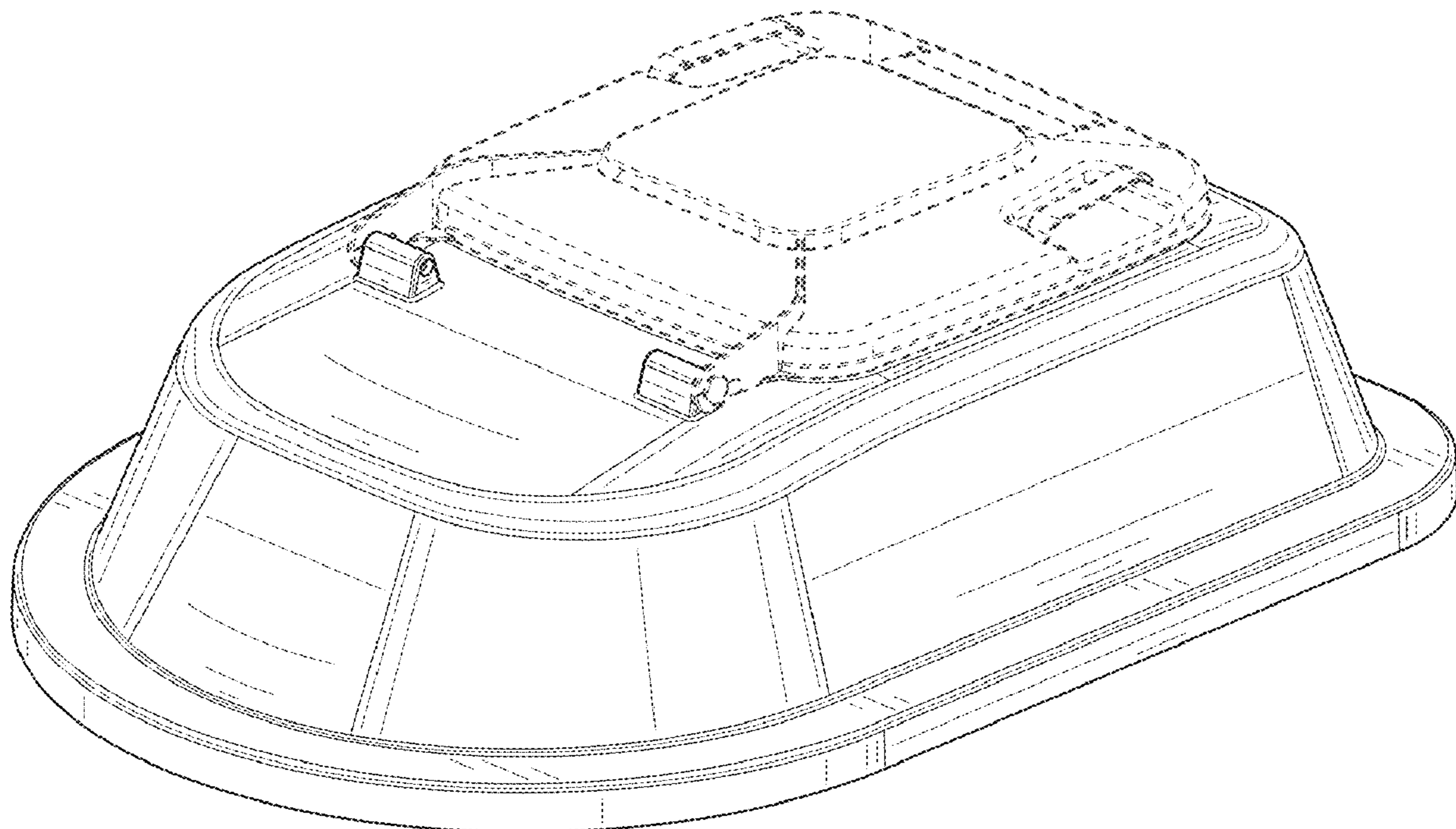
FIG. 6 is a right elevation view thereof;

FIG. 7 is a rear elevation view thereof; and,

FIG. 8 is a front elevation view thereof.

The broken lines showing of the lid in FIG. 1 depicts environment and forms no part of the claimed design.

**1 Claim, 8 Drawing Sheets**



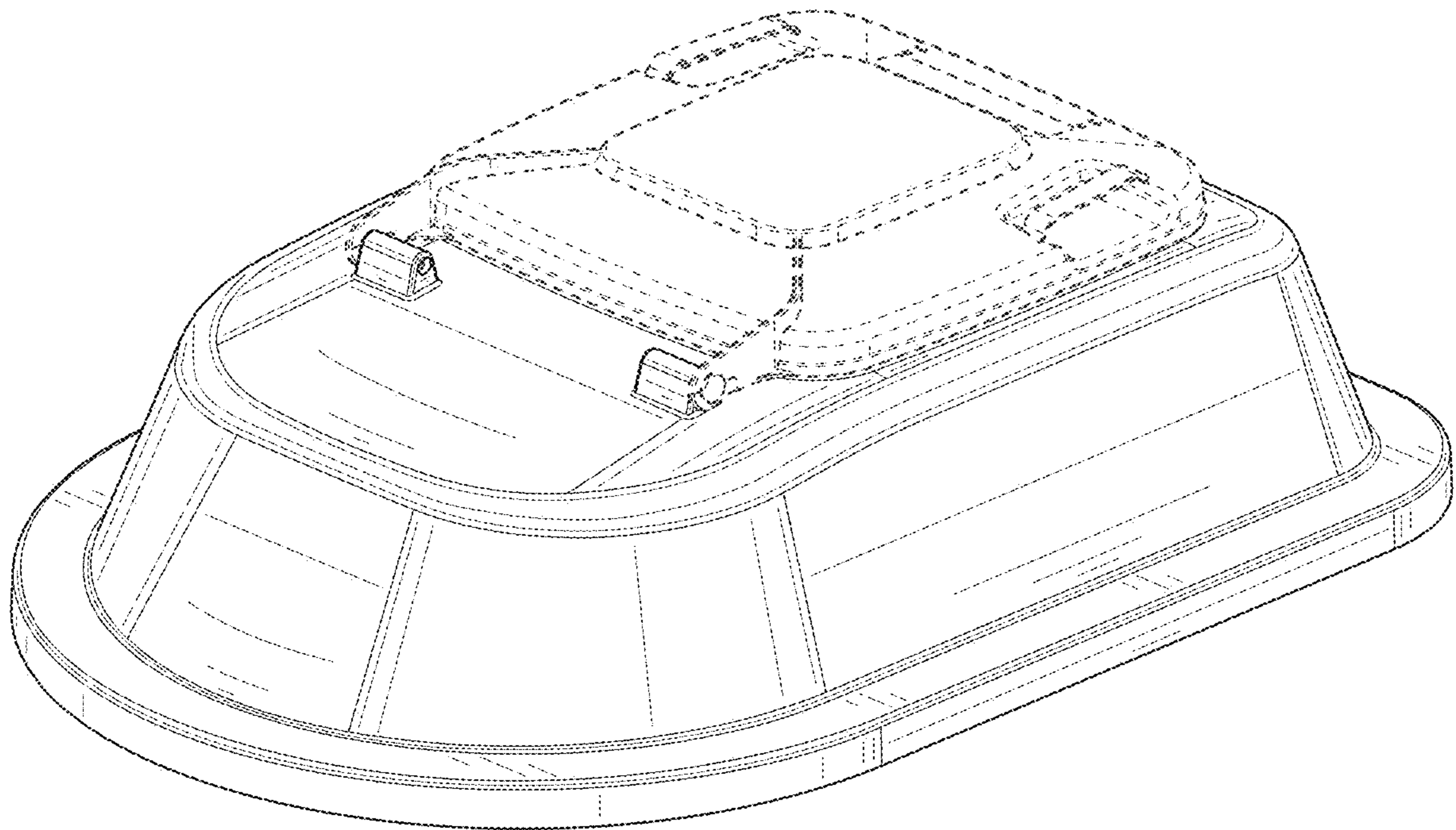


FIG. 1

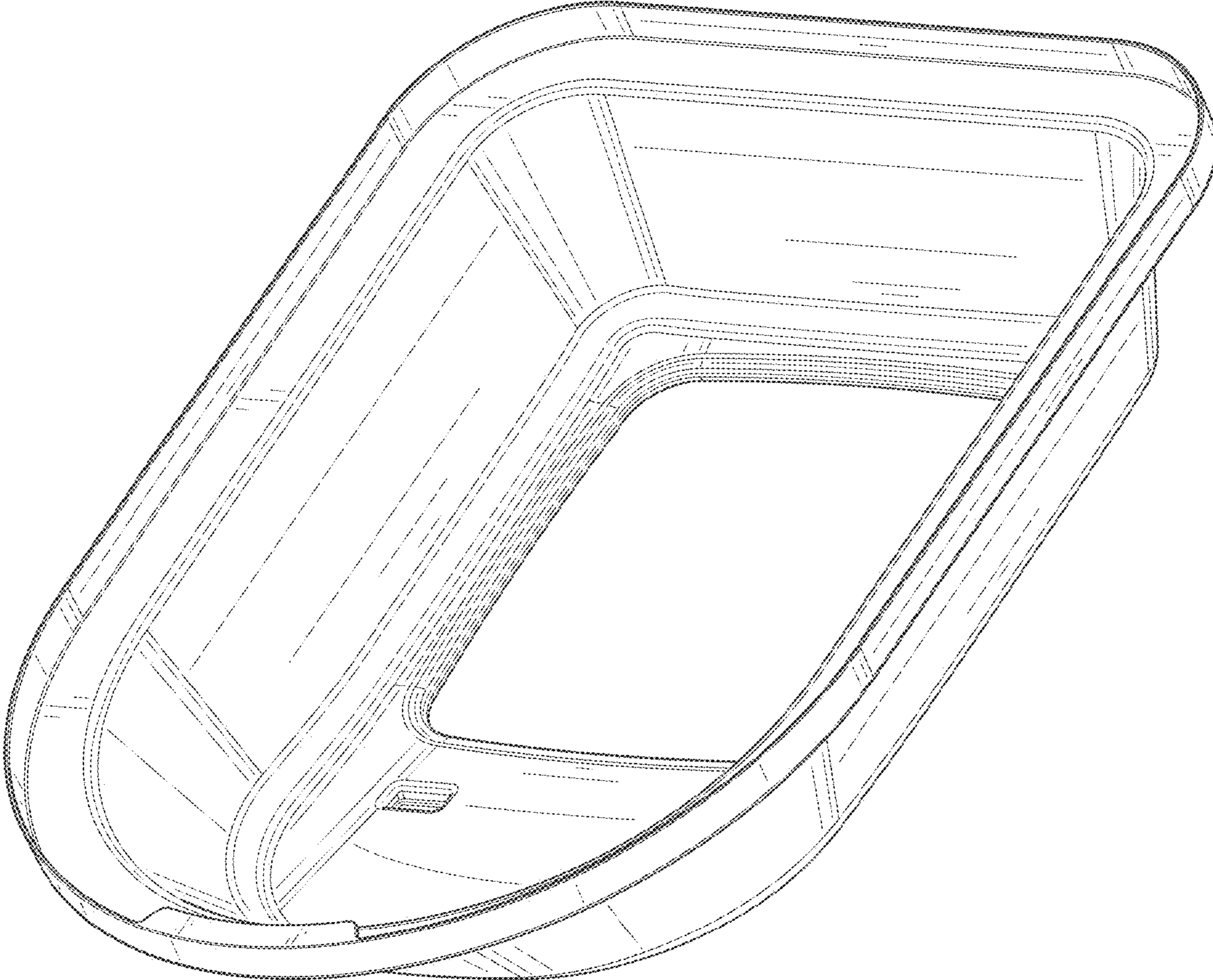


FIG. 2

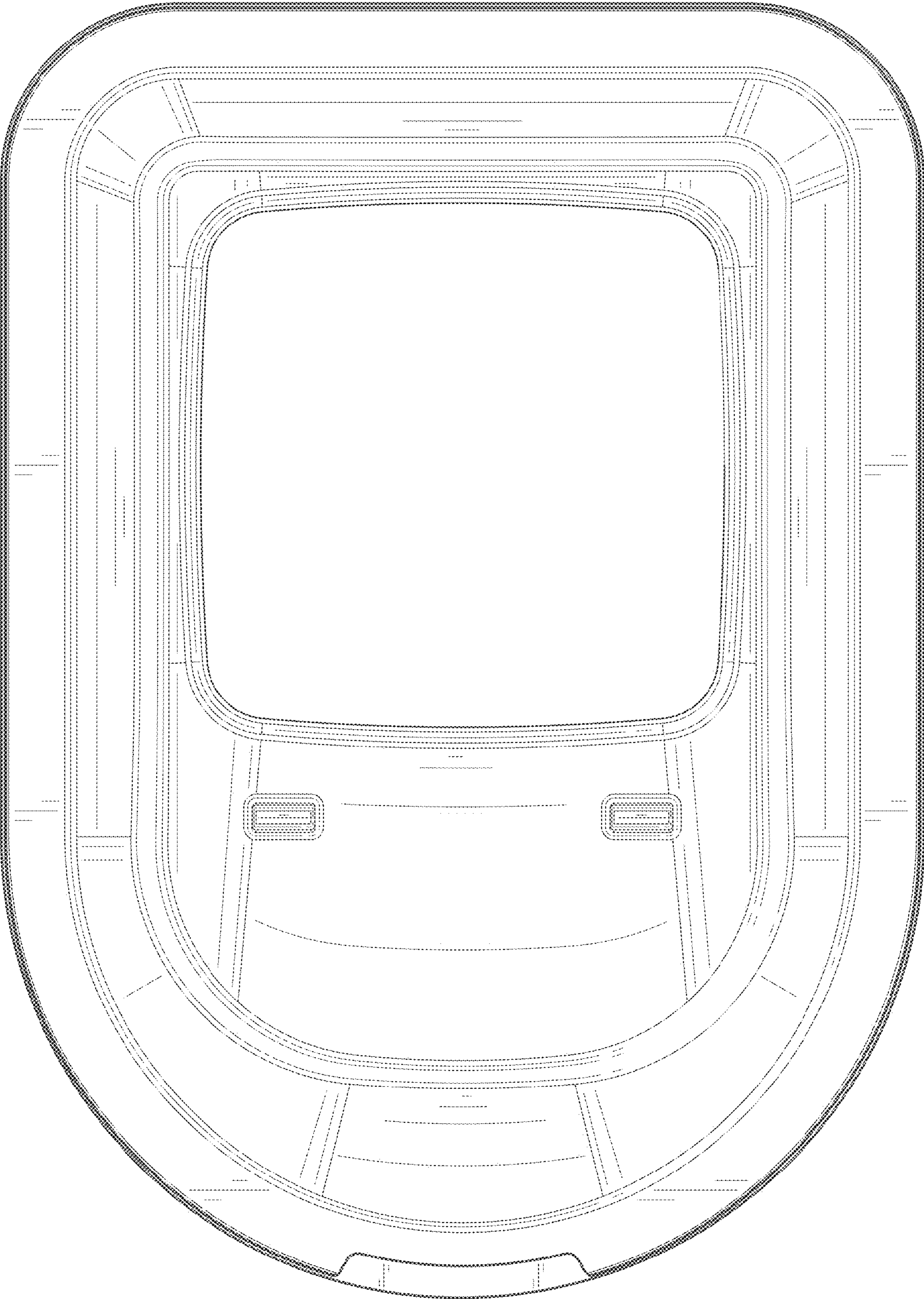


FIG. 3

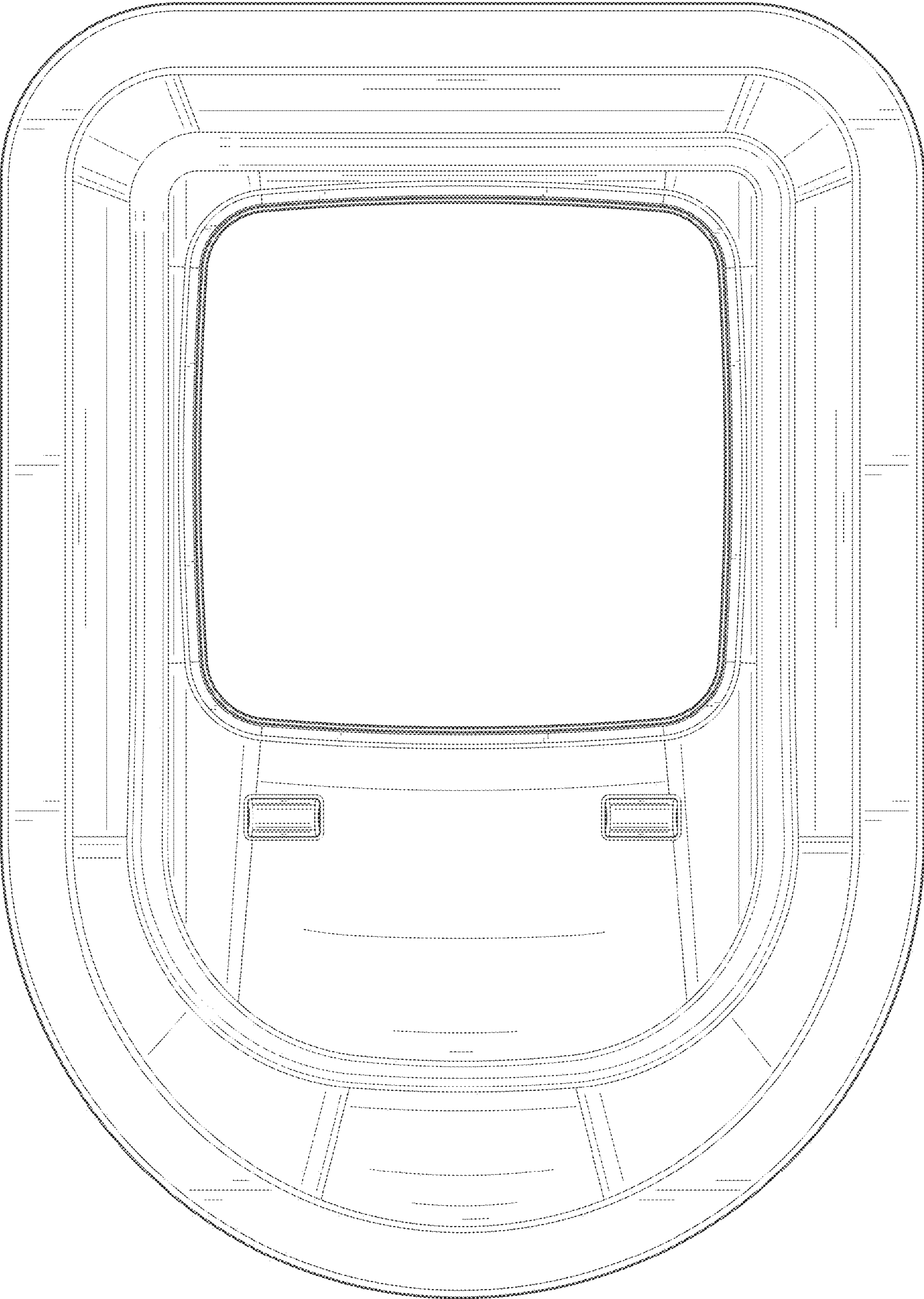


FIG. 4

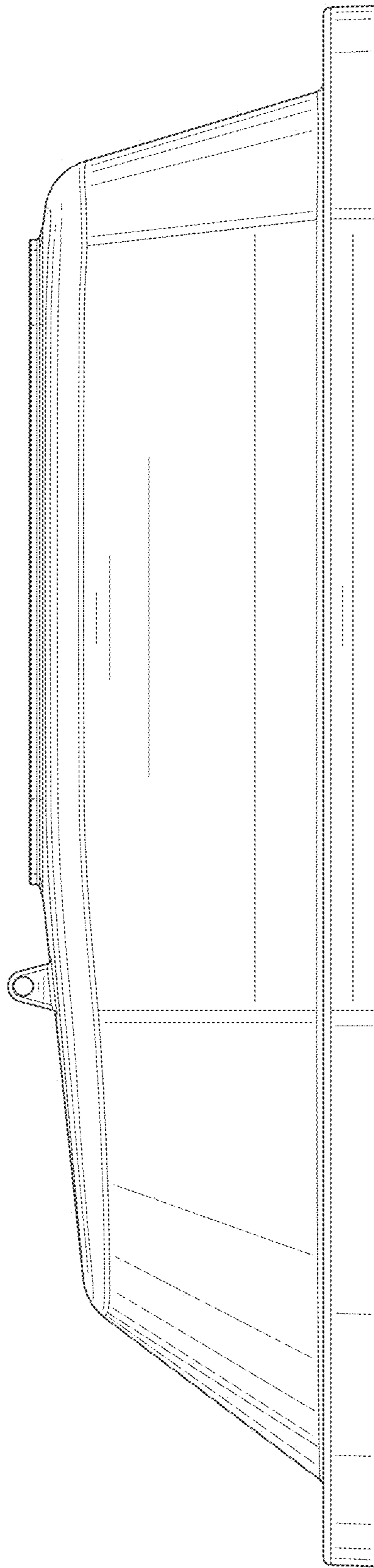


FIG. 5

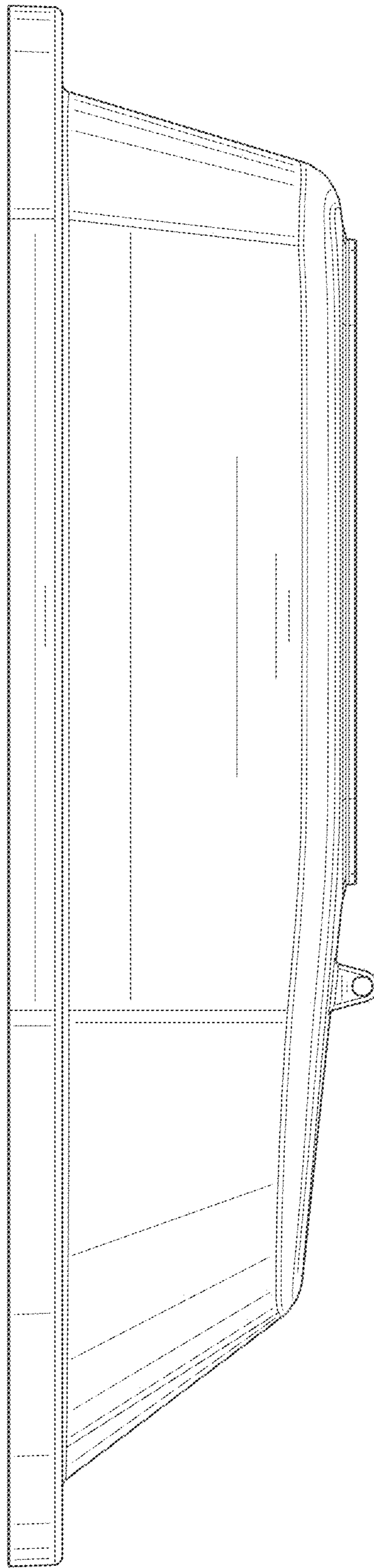


FIG. 6

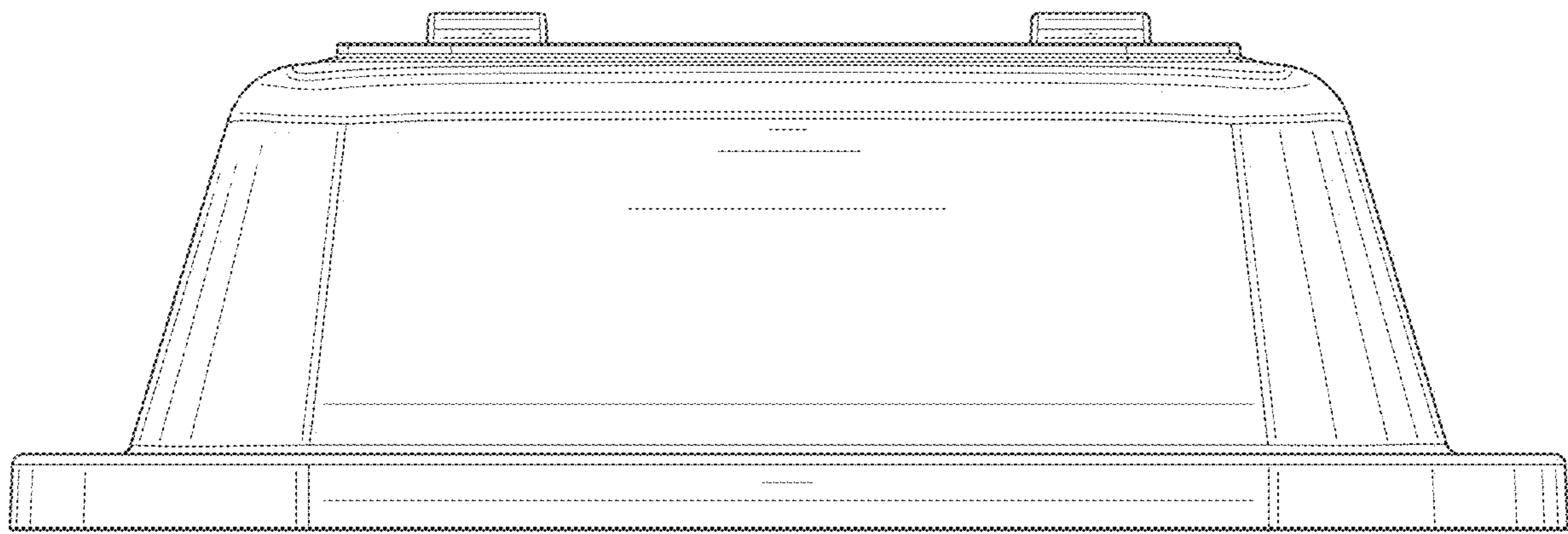


FIG. 7



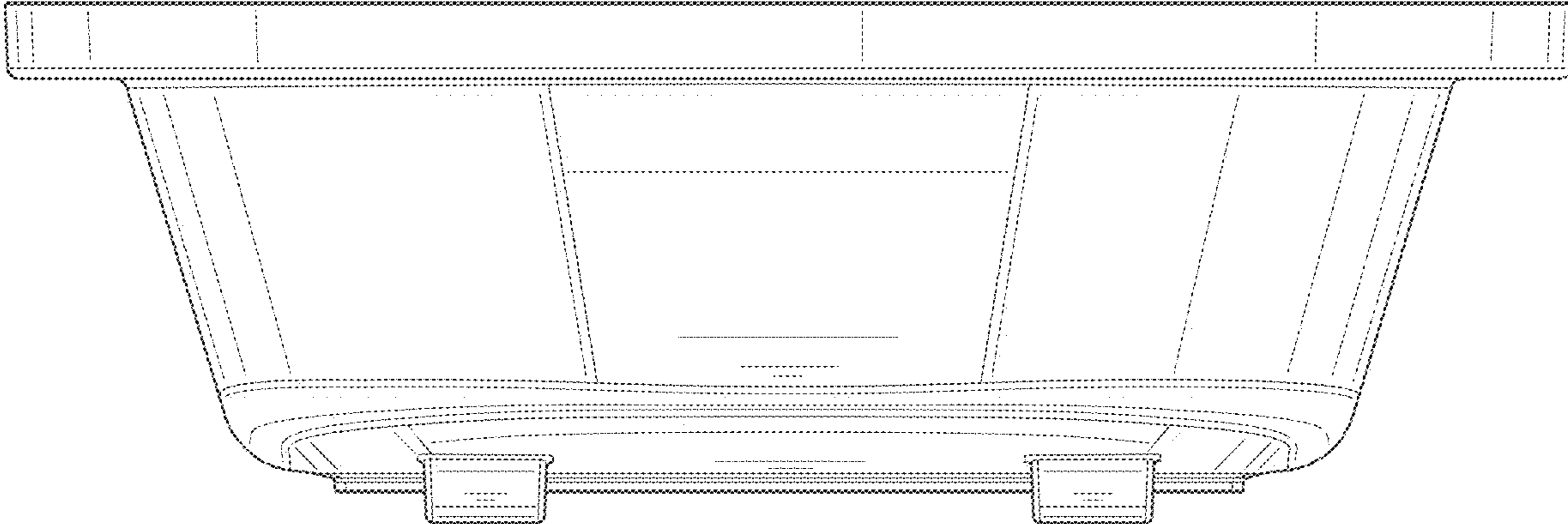


FIG. 8