



US00D917816S

(12) **United States Design Patent**
Bonafide

(10) **Patent No.:** **US D917,816 S**

(45) **Date of Patent:** **** Apr. 27, 2021**

(54) **CONTAINER DEVICE INCLUDING BOTTOM WITH CONTOURED FINGER GRIPS**

(71) Applicant: **Peter J. Bonafide**, Millstone Township, NJ (US)

(72) Inventor: **Peter J. Bonafide**, Millstone Township, NJ (US)

(**) Term: **15 Years**

(21) Appl. No.: **29/690,206**

(22) Filed: **May 6, 2019**

(51) **LOC (13) Cl.** **07-05**

(52) **U.S. Cl.**
USPC **D32/53**

(58) **Field of Classification Search**
USPC D32/53; D8/107, 300, 303, 367;
D7/605; D30/158; D9/434, 455;
D23/206

CPC B05C 21/00; B65D 7/06; B65D 45/345;
B65D 1/12; B65D 1/14; B65D 21/0233;
B65D 25/287; B65D 25/20; B65D 25/32;
A01G 9/021; A01K 87/08; A45F 5/1046;
H01M 2/1005; B29C 45/0017; A47J
47/18; B25B 13/04; B25B 7/00; F17C
13/06

See application file for complete search history.

(56) **References Cited**

U.S. PATENT DOCUMENTS

2,793,670 A * 5/1957 Schmidt A47J 47/18
220/770
3,343,711 A * 9/1967 Godshalk B65D 25/20
220/643
3,425,471 A * 2/1969 Yates, Jr. B65D 25/32
220/256.1
4,122,973 A * 10/1978 Ahern B05C 21/00
220/495.02

4,632,357 A * 12/1986 Von Holdt B29C 45/0017
249/122
4,791,702 A * 12/1988 McVey H01M 2/1005
16/428
4,890,355 A * 1/1990 Schulten A45F 5/1046
16/421
D318,789 S * 8/1991 Oltrogge D8/367
D356,021 S * 3/1995 Hull D8/107
5,440,784 A * 8/1995 Hull A01K 87/08
16/114.1
D384,279 S * 9/1997 Hepworth D9/434
D401,505 S * 11/1998 Michael D9/434
D404,645 S * 1/1999 Ball D9/434
6,212,979 B1 * 4/2001 Wang B25B 7/00
30/340

(Continued)

OTHER PUBLICATIONS

Bucket Base <https://www.amazon.com/Shurhold-240-Bucket-Base/dp/B00MYTLVGM> (Year: 2020).*

(Continued)

Primary Examiner — Michelle E. Wilson
Assistant Examiner — Richard E Yenchesky
(74) *Attorney, Agent, or Firm* — Allen, Dyer, Doppelt + Gilchrist, P.A.

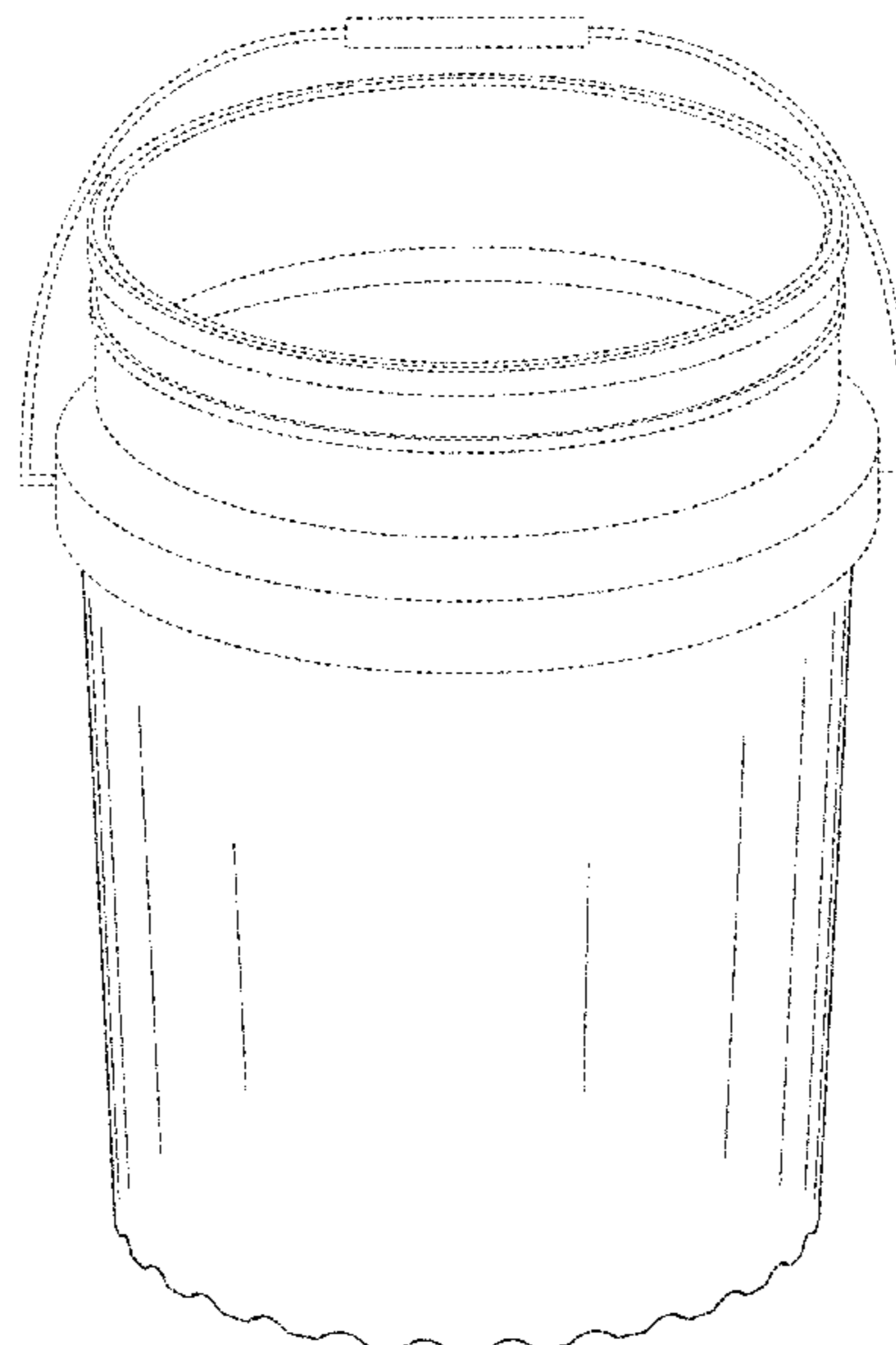
(57) **CLAIM**

The ornamental design for a container device including bottom with contoured finger grips, as shown and described.

DESCRIPTION

FIG. 1 is a perspective view thereof;
FIG. 2 is a side view thereof;
FIG. 3 is a top view thereof;
FIG. 4 is a bottom view thereof; and,
FIG. 5 is a perspective bottom view thereof.
The broken lines shown illustrate environmental structure and form no part of the claimed design.

1 Claim, 5 Drawing Sheets



(56)

References Cited

U.S. PATENT DOCUMENTS

6,386,384 B1 * 5/2002 Chohfi F17C 13/06
206/0.6
6,758,365 B2 * 7/2004 Jackson B65D 25/287
220/754
D514,422 S * 2/2006 Lai D8/300
D559,348 S * 1/2008 Dias D23/206
D608,066 S * 1/2010 Pearl D32/53
D647,801 S * 11/2011 Werdowatz D9/455
8,402,864 B1 * 3/2013 Stephens B25B 13/04
81/177.2
D683,920 S * 6/2013 Bonafide D32/53
D709,263 S * 7/2014 Carnesecca D32/53
8,869,985 B2 * 10/2014 Schick B65D 21/0233
206/519
D722,474 S * 2/2015 Seiders D7/605
D726,385 S * 4/2015 O'Leary D32/53
D739,626 S * 9/2015 Condiff D32/53
D739,627 S * 9/2015 Condiff D32/53
D743,136 S * 11/2015 Condiff D32/53
D775,926 S * 1/2017 Atkins D8/303
D778,706 S * 2/2017 Atkins D8/303
D784,645 S * 4/2017 Richardson D32/54
D789,639 S * 6/2017 Schneider D32/53
D804,758 S * 12/2017 Luburic D32/53
D814,264 S * 4/2018 Werdowatz D8/303
D819,909 S * 6/2018 Schneider D32/53

D836,873 S * 12/2018 Schneider D32/53
D842,678 S * 3/2019 Meyer D8/315
D844,921 S * 4/2019 Schneider D32/53
D846,967 S * 4/2019 Werdowatz D8/303
10,597,191 B2 * 3/2020 Seiders B65D 25/32
D888,349 S * 6/2020 Yoo D30/158
2009/0152280 A1 * 6/2009 Luburic B65D 1/14
220/669
2013/0284306 A1 * 10/2013 Carlson B65D 1/12
141/1
2014/0182201 A1 * 7/2014 Danowski A01G 9/021
47/65.5
2016/0280423 A1 * 9/2016 Luburic B65D 7/06
2016/0311584 A1 * 10/2016 Van Oosten B65D 45/345

OTHER PUBLICATIONS

Bucket Wire Handle <https://www.theplasticman.com.au/products/bucket-with-flat-bottom-base-9lt> (Year: 2020).*
Bucket with Bottom Grip Handle <https://www.amazon.com/Hudson-Exchange-Gallon-Bucket-Bottom/dp/B07885QN49> (Year: 2020).*
Pail with pouring handle and raised base <https://hambydairysupply.com/16-quart-stainless-steel-pail-with-pouring-handle-and-raised-base-best-quality/> (Year: 2020).*
Drum with venting channels <https://www.bunzlpd.com/rubbermaid-55-gallon-round-brute-with-venting-channels> (Year: 2020).*

* cited by examiner

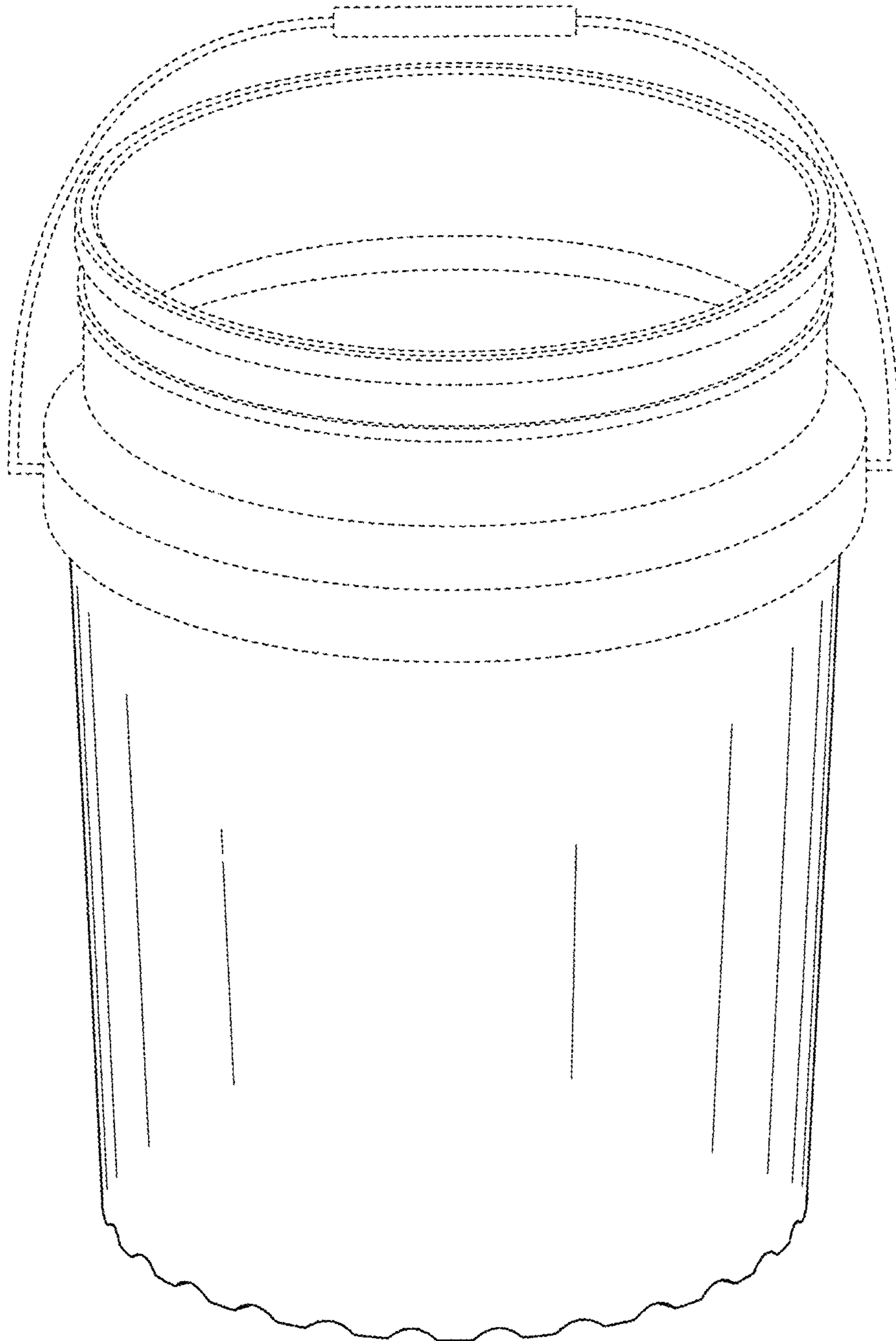


FIG. 1

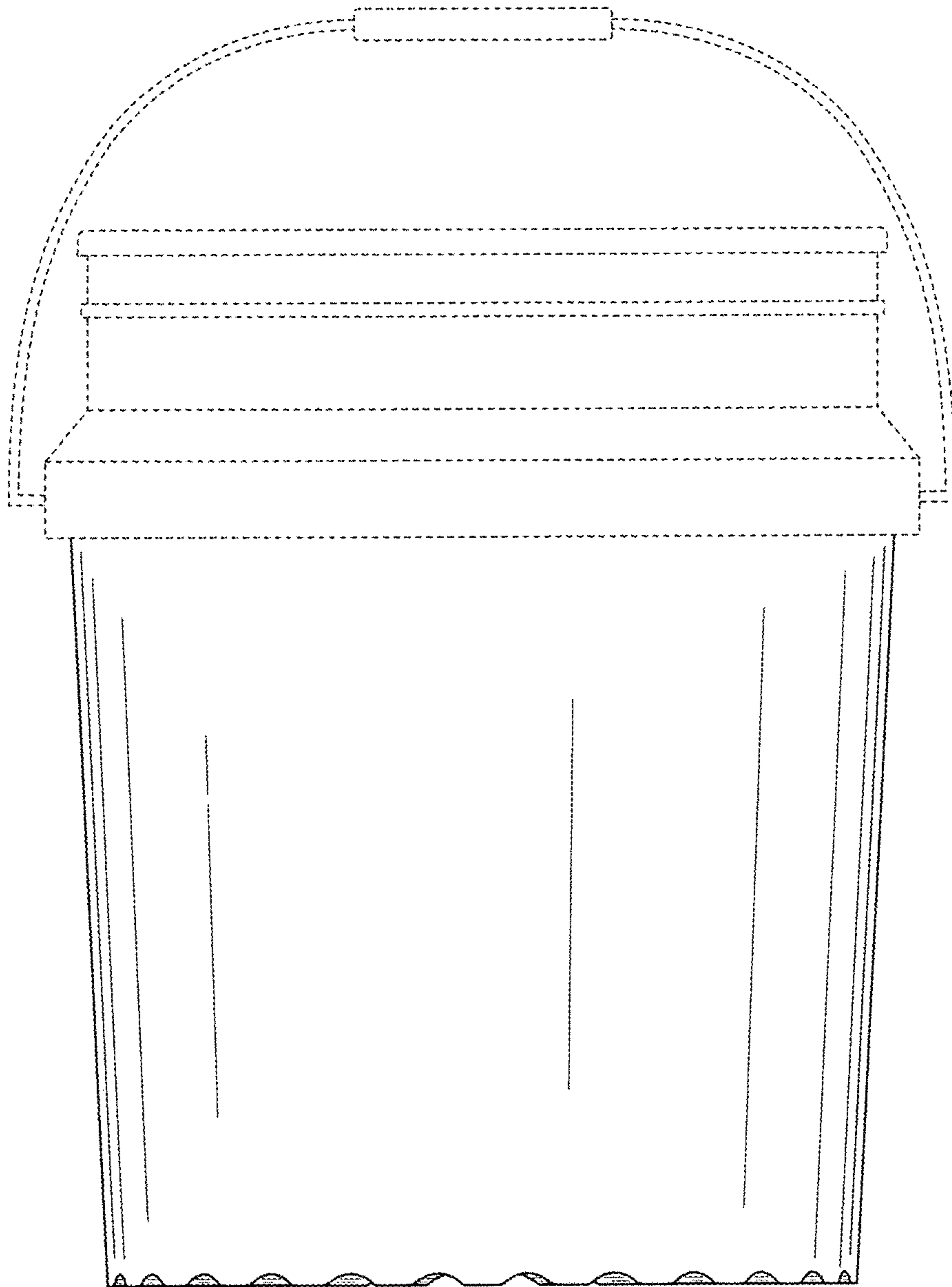


FIG. 2

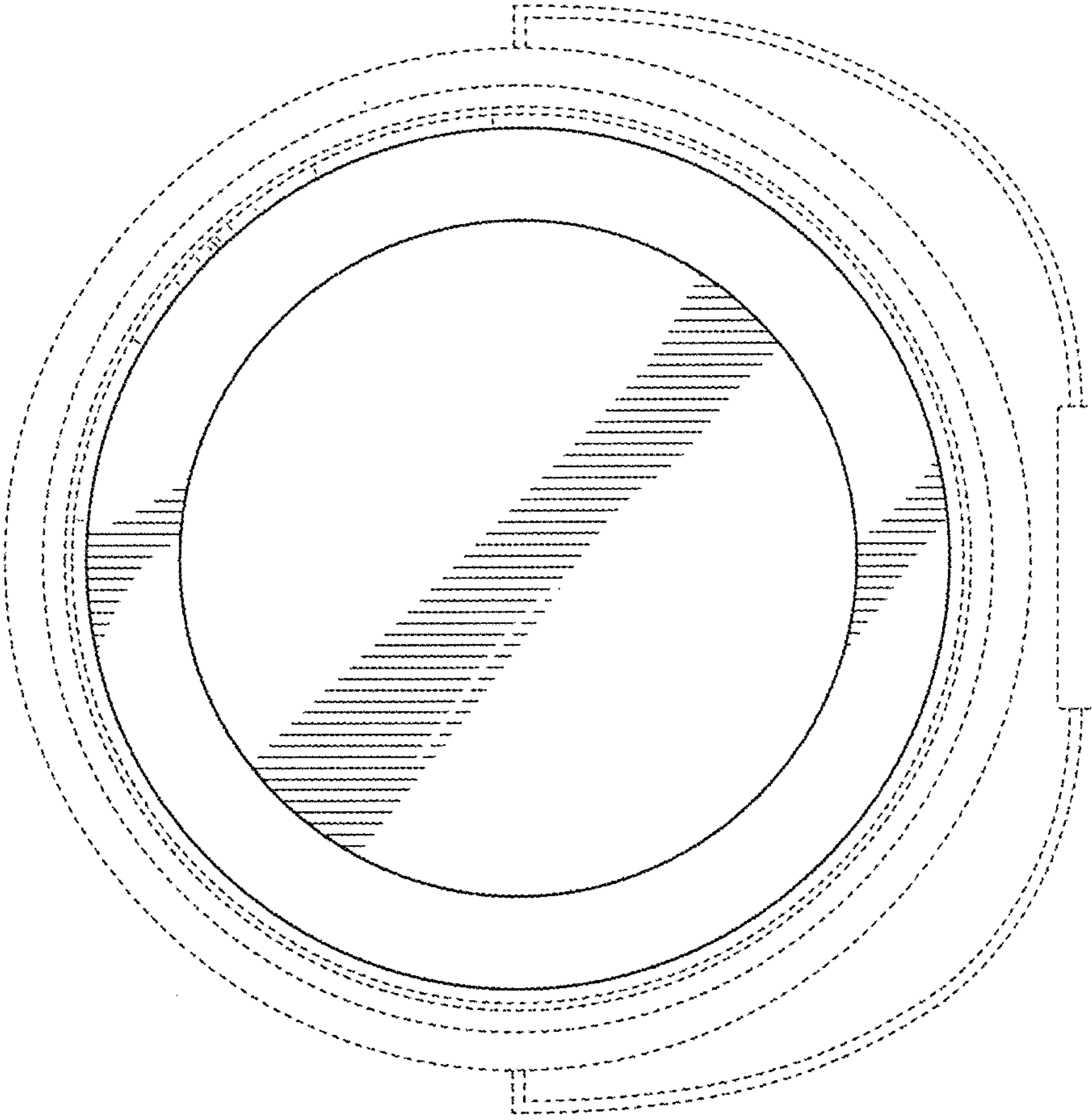


FIG. 3

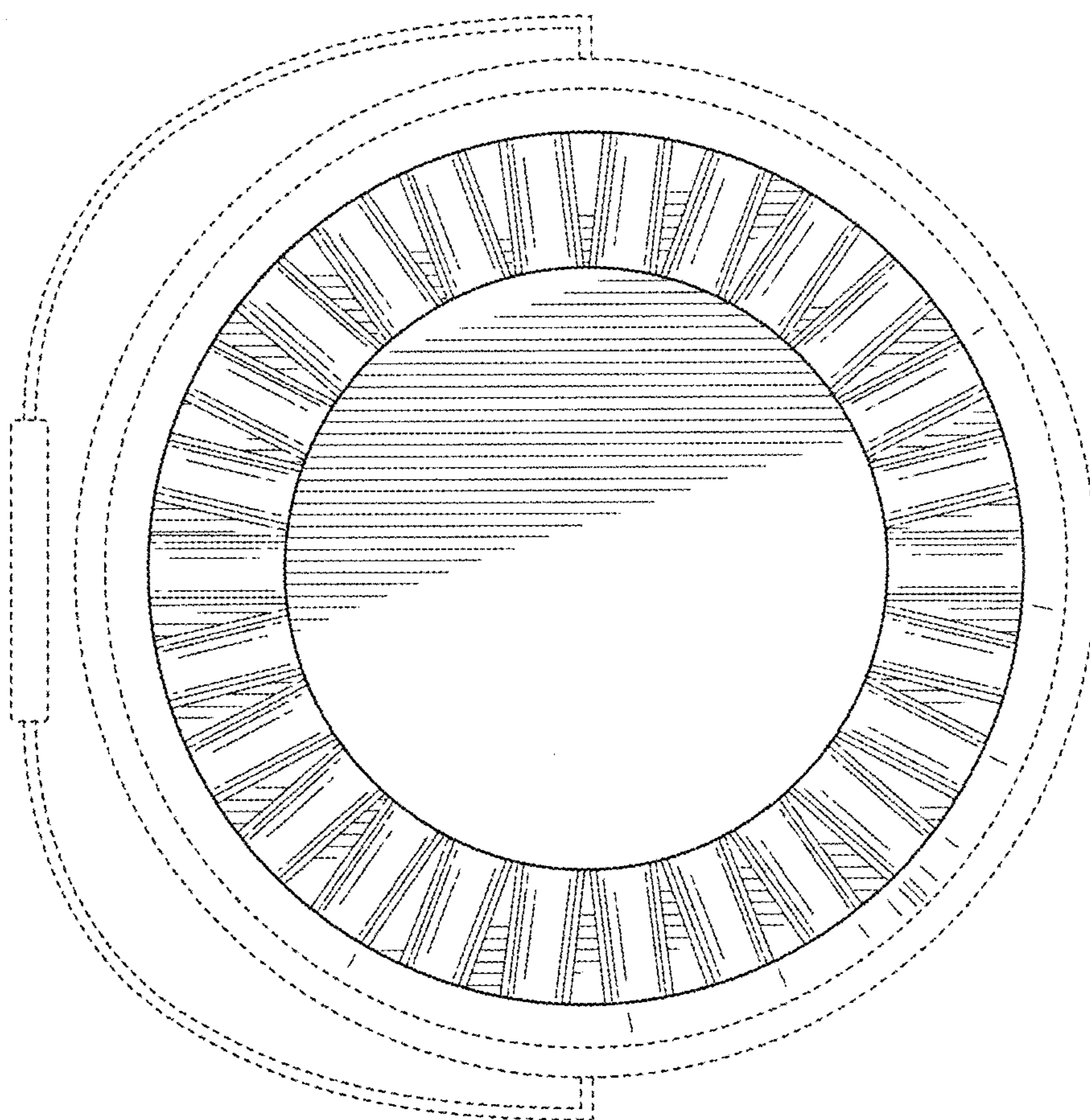


FIG. 4

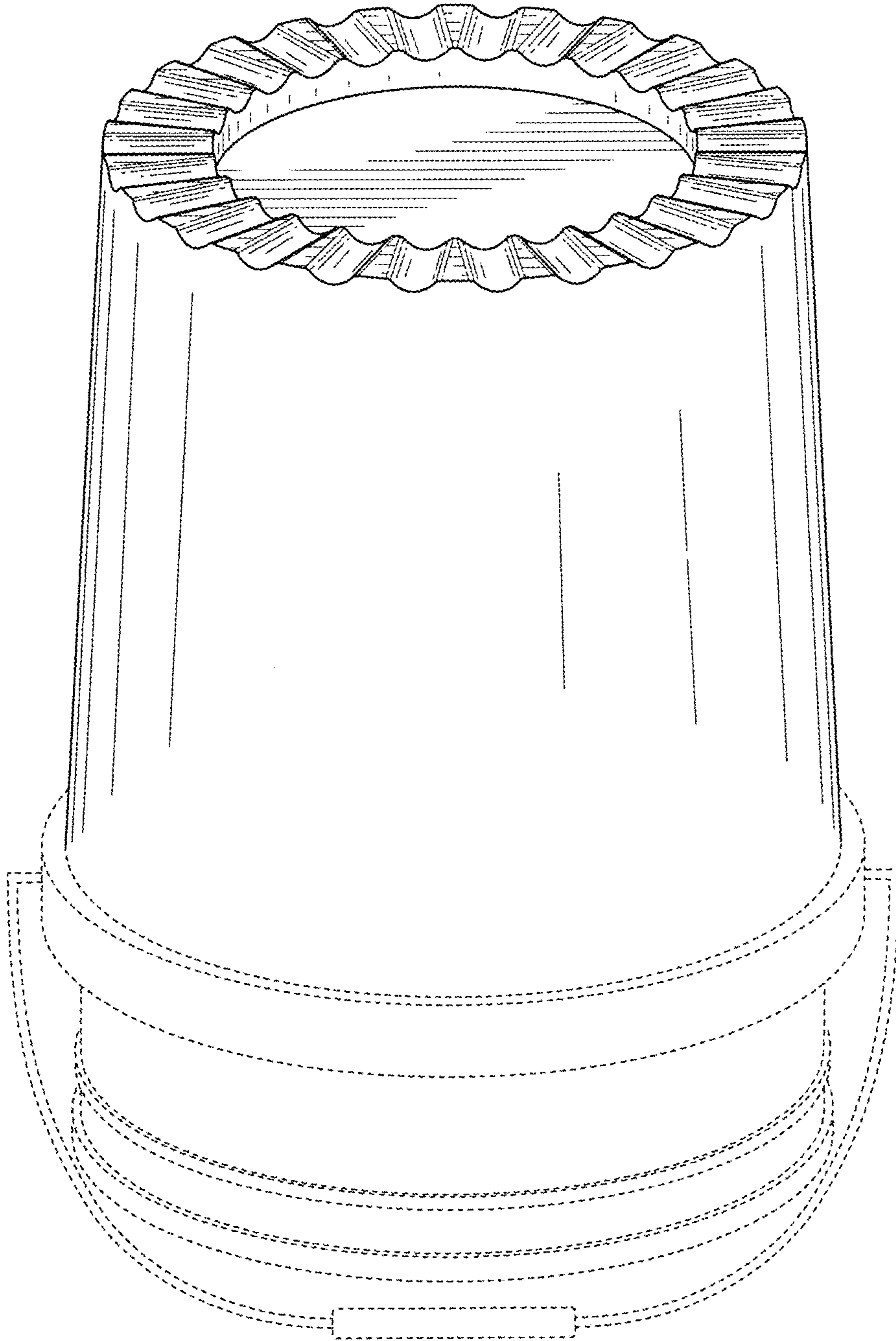


FIG. 5