



US00D917815S

(12) **United States Design Patent**
Kim et al.

(10) **Patent No.:** **US D917,815 S**

(45) **Date of Patent:** **** Apr. 27, 2021**

(54) **WATER TANK FOR ROBOTIC VACUUM CLEANER**

(71) Applicant: **LG ELECTRONICS INC.**, Seoul (KR)

(72) Inventors: **Seongmin Kim**, Seoul (KR); **Seunghyun Song**, Seoul (KR); **Hoil Jeon**, Seoul (KR)

(73) Assignee: **LG Electronics Inc.**, Seoul (KR)

(**) Term: **15 Years**

(21) Appl. No.: **35/508,477**

(22) Filed: **Jul. 29, 2019**

(80) **Hague Agreement Data**

Int. Filing Date: **Jul. 29, 2019**

Int. Reg. No.: **DM/204193**

Int. Reg. Date: **Jul. 29, 2019**

Int. Reg. Pub. Date: **Jan. 31, 2020**

(51) **LOC (13) Cl.** **15-05**

(52) **U.S. Cl.**
USPC **D32/31**

(58) **Field of Classification Search**
USPC D32/31-33, 15, 17, 18, 21-24
CPC .. A47L 11/24; A47L 11/4005; A47L 11/4066;
A47L 2201/00; A47L 9/009
See application file for complete search history.

(56) **References Cited**

U.S. PATENT DOCUMENTS

D744,183 S * 11/2015 Cheon D32/31
D751,778 S * 3/2016 Yun D32/31

D776,379 S * 1/2017 Mitchell D32/31
D796,757 S * 9/2017 Verhoorn D32/31
D804,753 S * 12/2017 Kim D32/31
D806,968 S * 1/2018 Lee D32/31
D816,284 S * 4/2018 Lee D32/31
D860,560 S * 9/2019 Lee D32/31
D866,889 S * 11/2019 Lin D32/31
D877,432 S * 3/2020 Hopke D32/31

* cited by examiner

Primary Examiner — Khawaja Anwar

(74) *Attorney, Agent, or Firm* — Birch, Stewart, Kolasch & Birch, LLP

(57) **CLAIM**

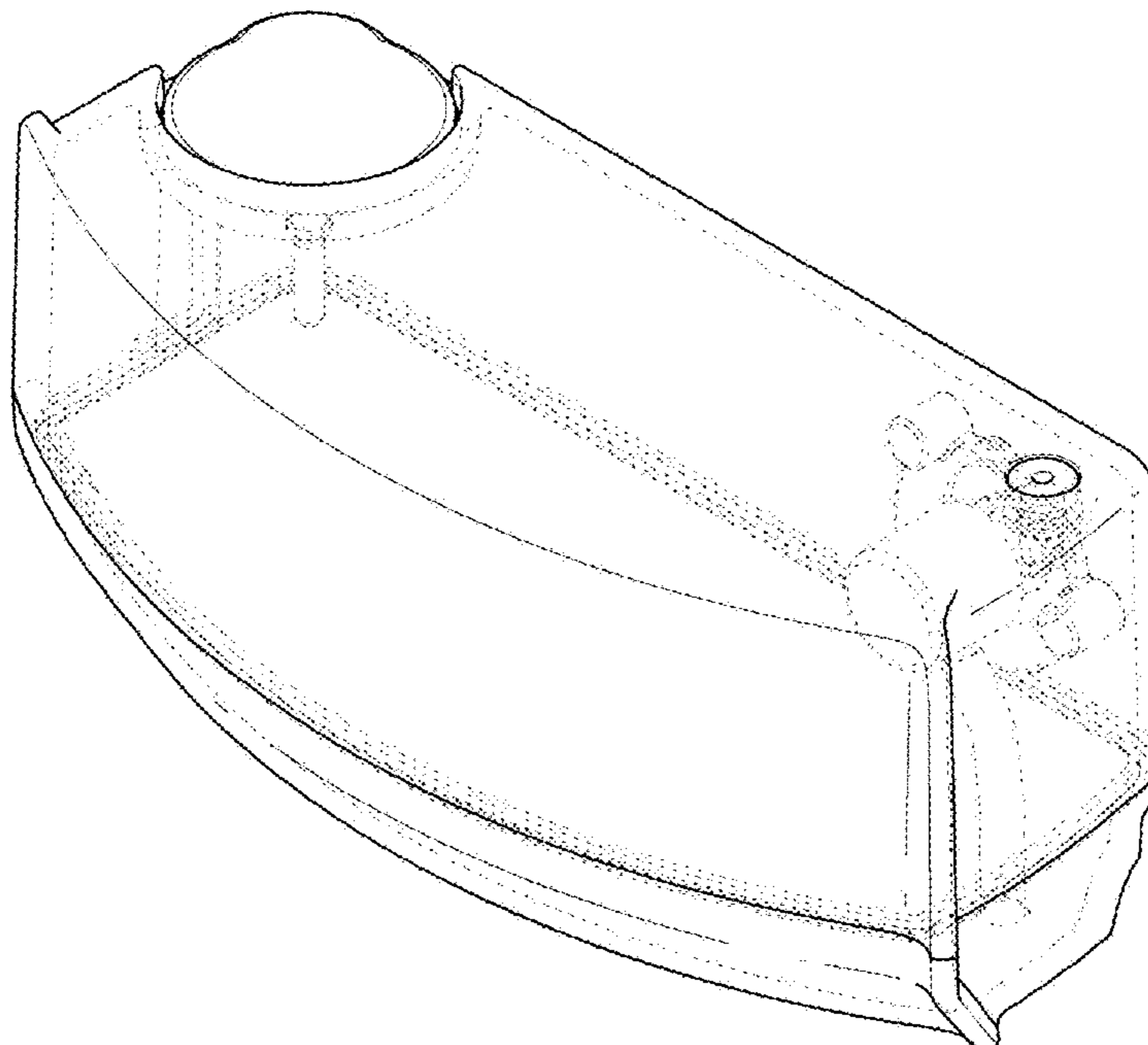
The ornamental design for a water tank for robotic vacuum cleaner, as shown and described.

DESCRIPTION

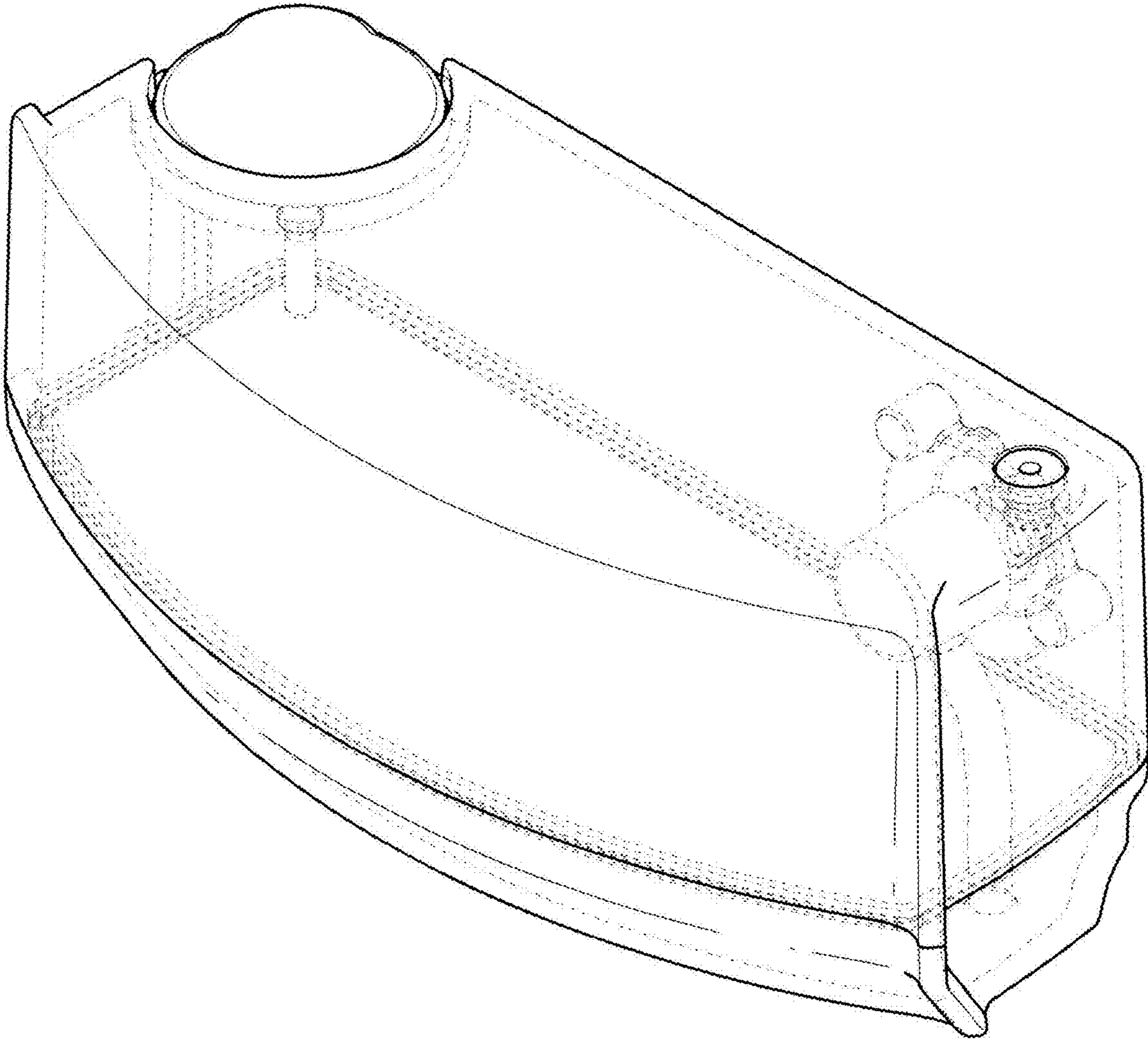
- 1. Water tank for robotic vacuum cleaner
- 1.1 : Perspective
- 1.2 : Rear perspective view
- 1.3 : Front
- 1.4 : Back
- 1.5 : Left
- 1.6 : Right
- 1.7 : Top
- 1.8 : Bottom
- 1.9 : Reference

The article has transparent materials.

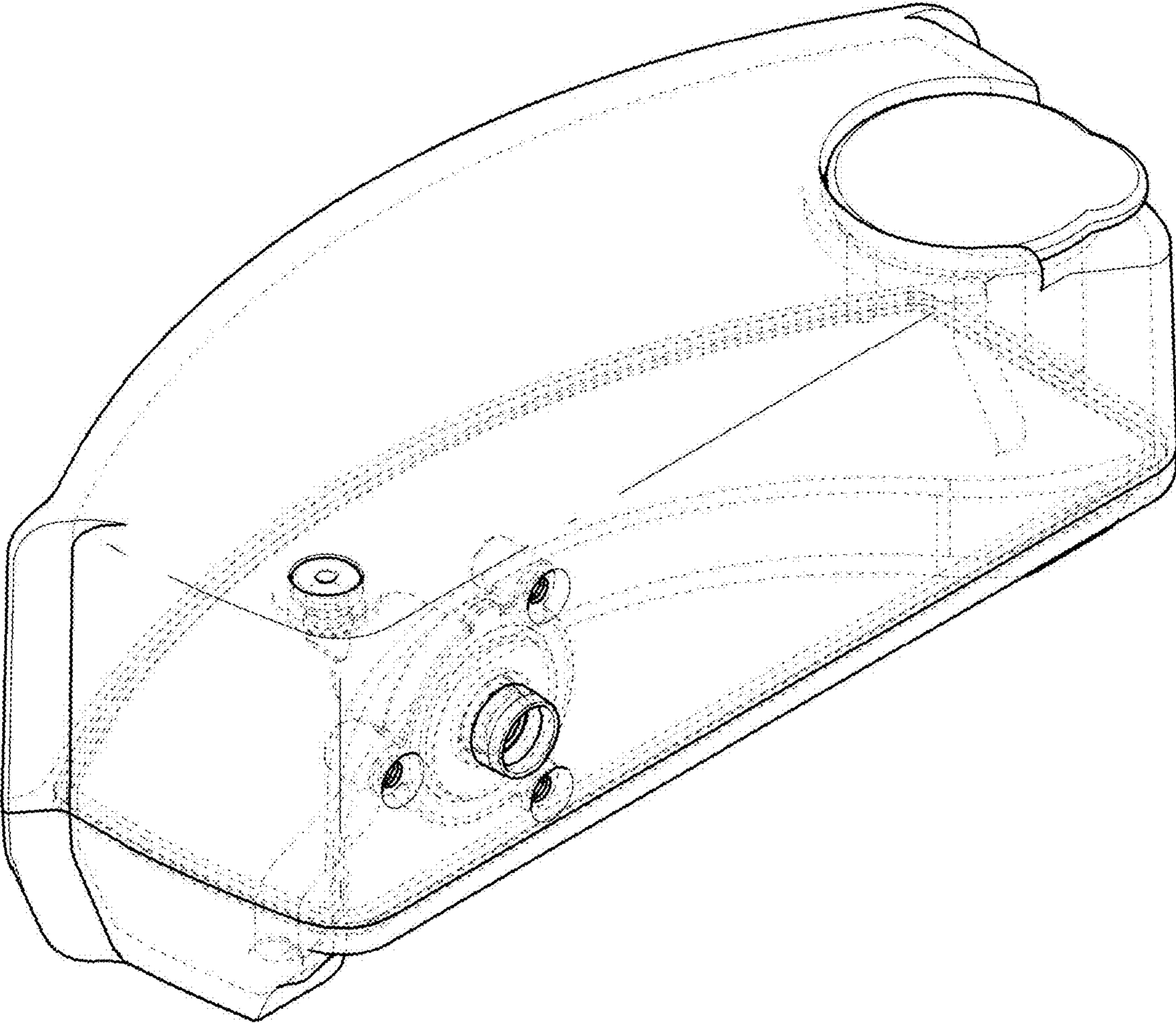
1 Claim, 9 Drawing Sheets



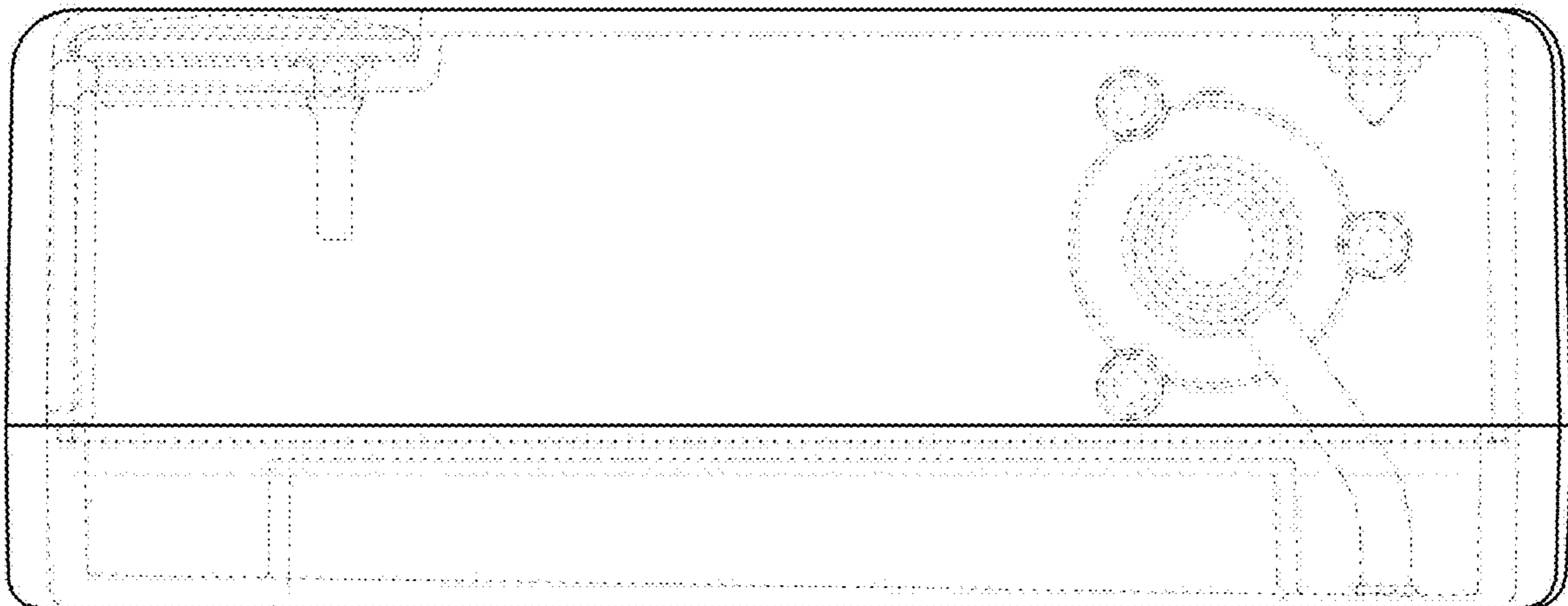
1.1



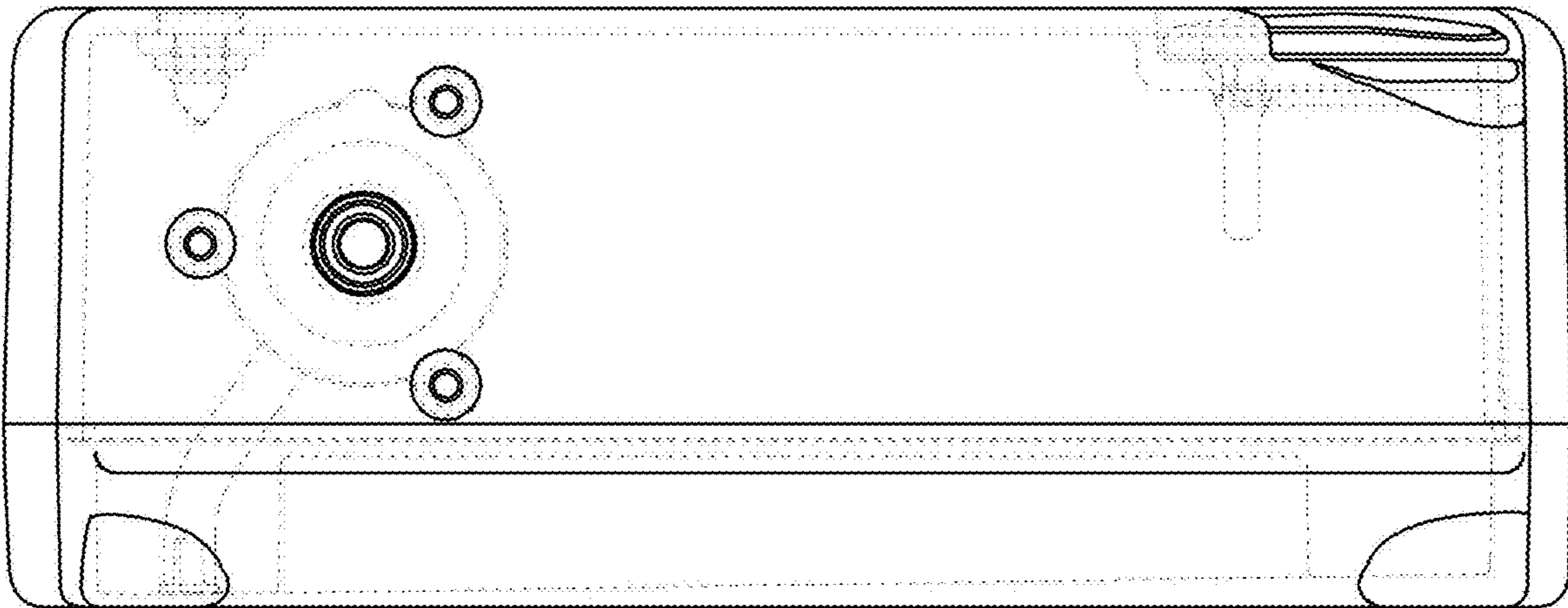
1.2



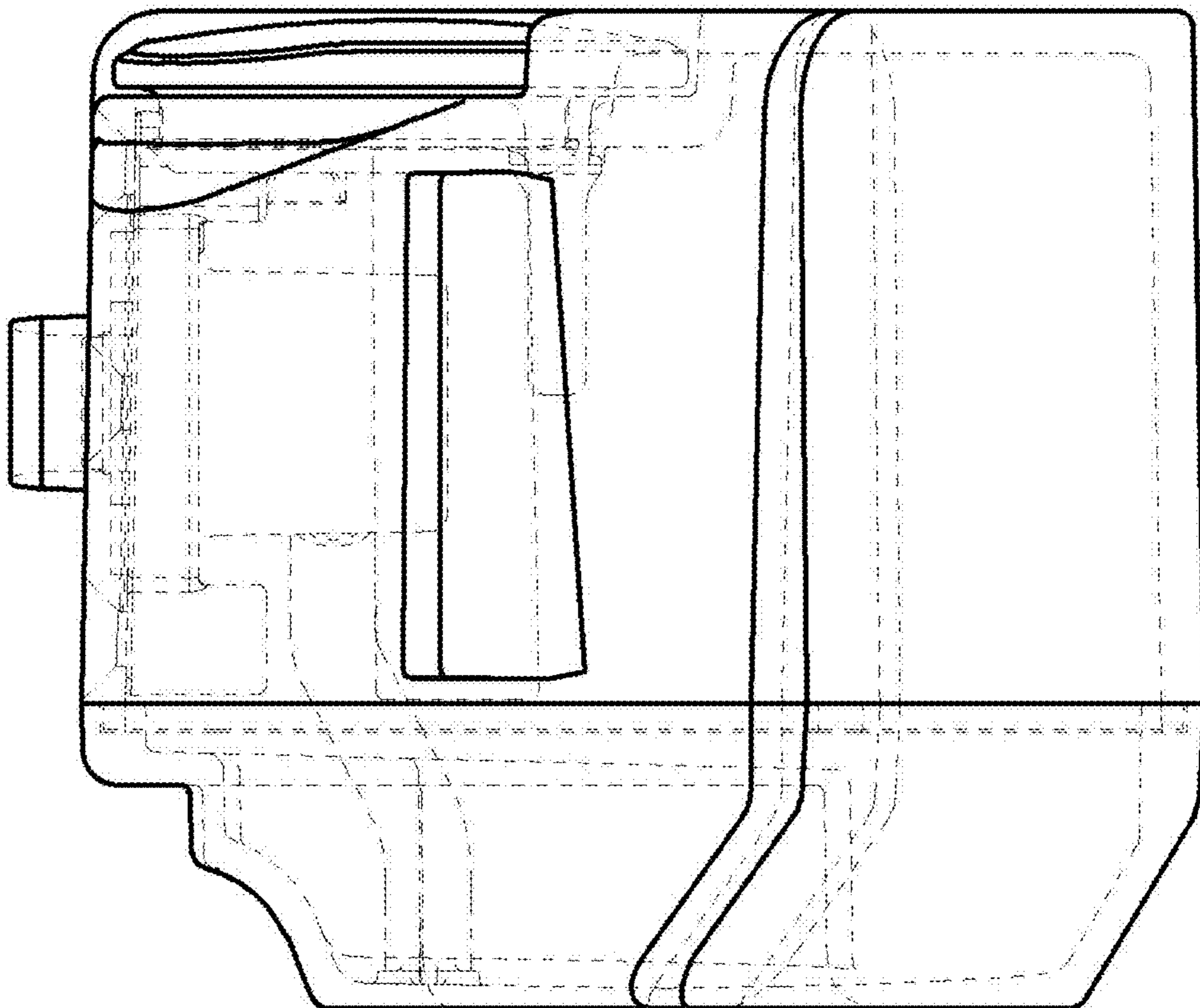
1.3



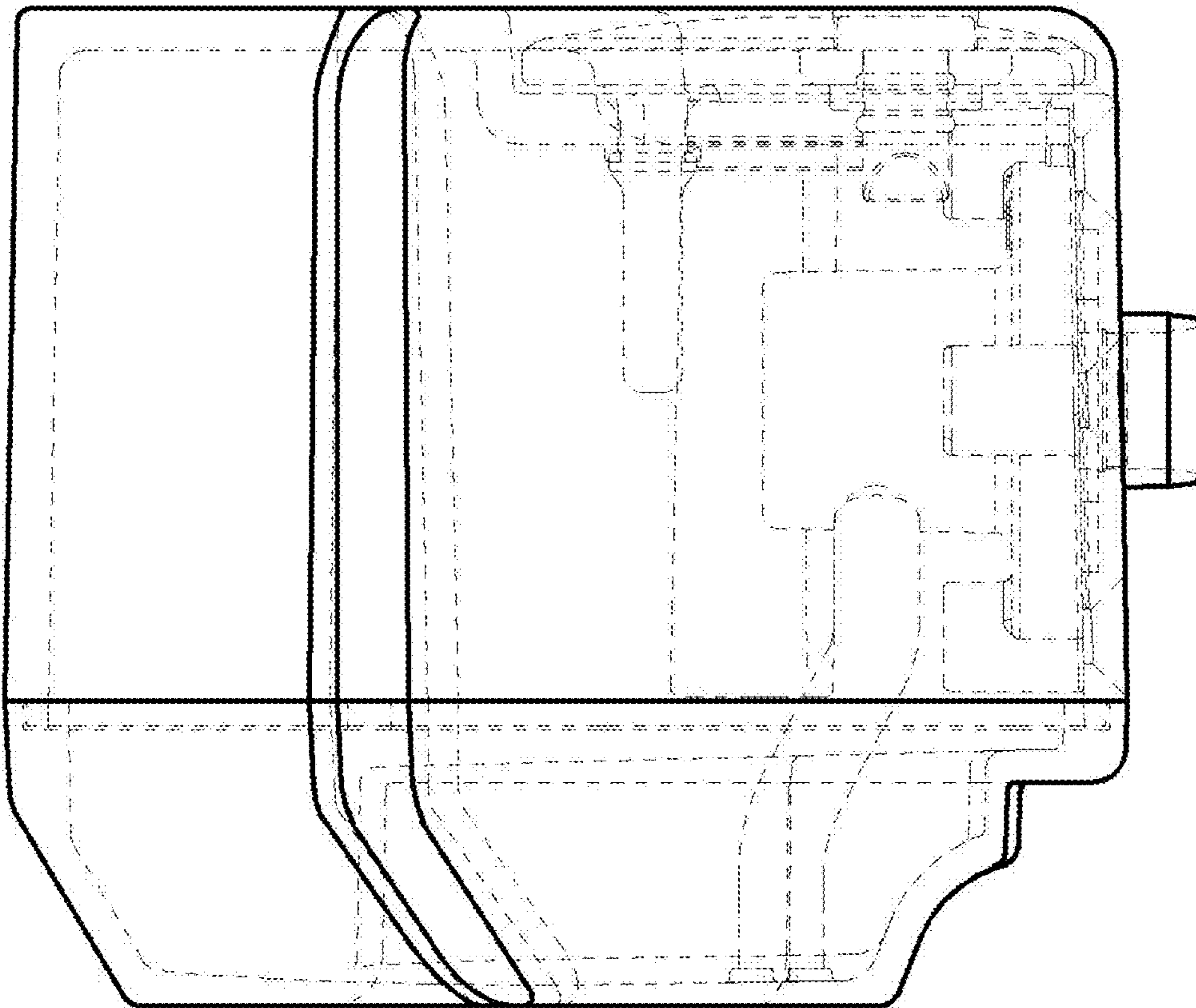
1.4



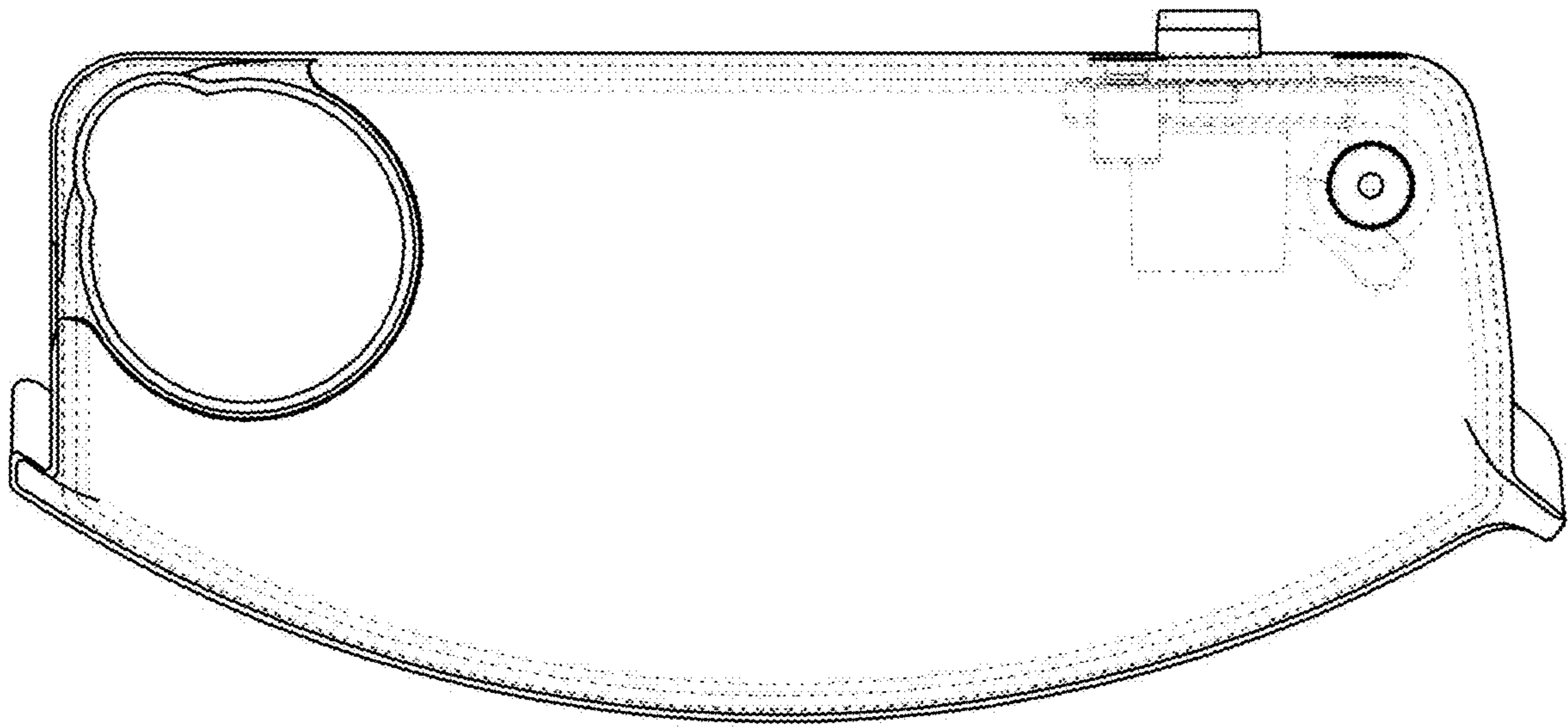
1.5



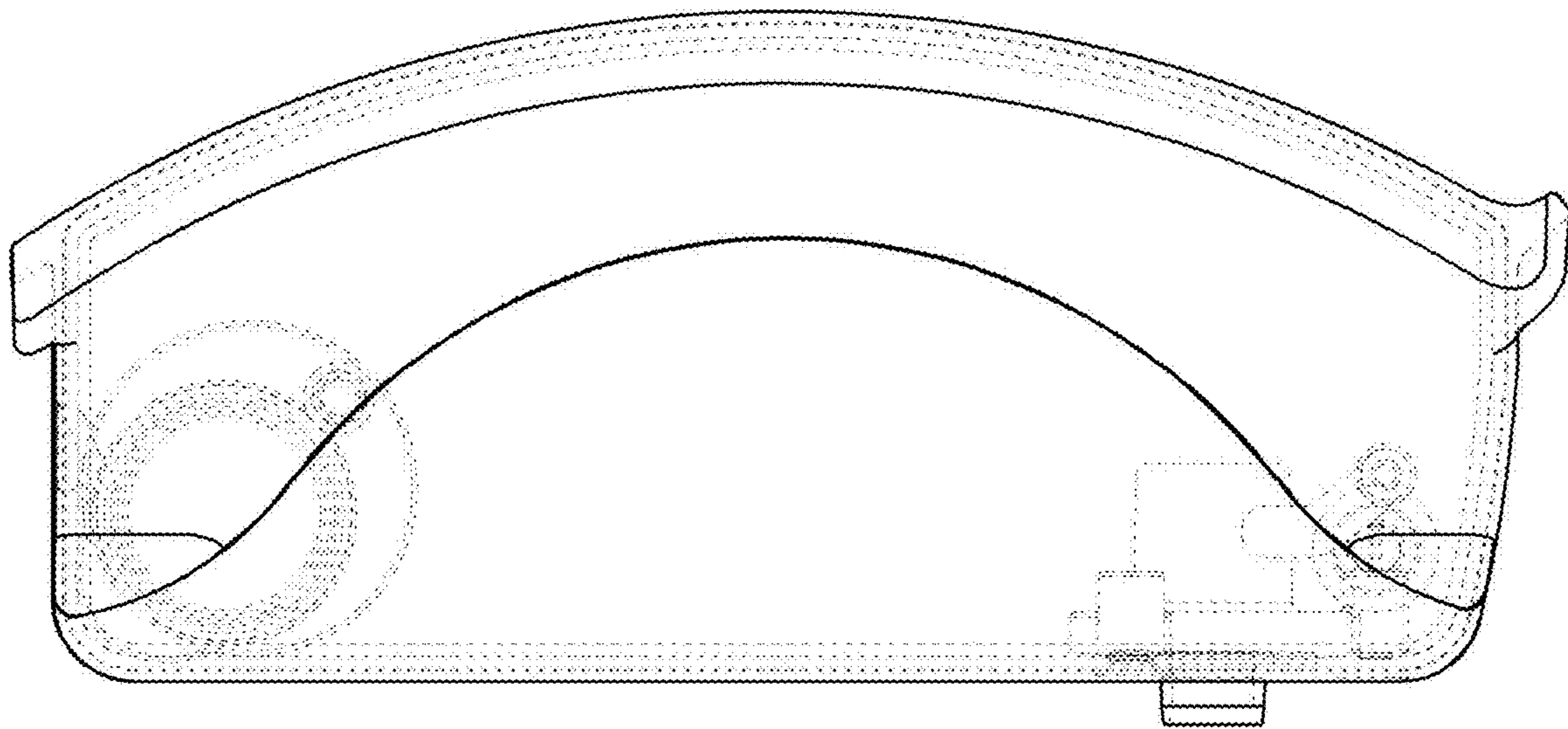
1.6



1.7



1.8



1.9

