



US00D917812S

(12) **United States Design Patent**  
**Bennington**

(10) **Patent No.:** **US D917,812 S**

(45) **Date of Patent:** **\*\* Apr. 27, 2021**

(54) **BLOWER TO SPRAYER CONVERTER WITH OUTSIDE COLLAR**

(71) Applicant: **Kevin Bennington**, Virginia Beach, VA (US)

(72) Inventor: **Kevin Bennington**, Virginia Beach, VA (US)

(\*\*) Term: **15 Years**

(21) Appl. No.: **29/681,506**

(22) Filed: **Feb. 26, 2019**

(51) **LOC (13) Cl.** ..... **15-05**

(52) **U.S. Cl.**  
USPC ..... **D32/25**

(58) **Field of Classification Search**  
USPC ..... D32/2-3, 5-7, 12-13, 25-29;  
D8/394-396; D23/242, 239, 387, 303  
CPC ..... A47L 15/42; A47L 15/00; B65D 47/06;  
D06F 23/06; D06F 37/26; A01M 7/0003;  
A61M 15/00

See application file for complete search history.

(56) **References Cited**

**U.S. PATENT DOCUMENTS**

- D100,208 S \* 6/1936 Depue ..... D32/12
- D123,513 S \* 11/1940 Taylor et al. .... D10/57
- 3,596,964 A \* 8/1971 Zazzara ..... B43K 23/012  
294/5
- 4,197,013 A \* 4/1980 Van Ackeren ..... G01N 21/534  
250/252.1
- D285,171 S \* 8/1986 Russell ..... D8/396
- D314,255 S \* 1/1991 Brito ..... D32/3
- D442,852 S \* 5/2001 Gopalraja ..... D8/395
- 6,346,212 B1 \* 2/2002 Seo ..... C21C 5/32  
266/220
- D487,482 S \* 3/2004 Disher ..... D19/65
- 6,786,701 B1 \* 9/2004 Huang ..... F04D 29/705  
239/77
- D498,251 S \* 11/2004 Invencio ..... D16/242

- D685,256 S \* 7/2013 Fungler ..... D8/395
- D743,244 S \* 11/2015 Anderson ..... D8/394
- D784,580 S \* 4/2017 Smith ..... D26/60
- D799,952 S \* 10/2017 Demberg ..... D8/395
- D808,789 S \* 1/2018 Franklin ..... D8/396
- D831,721 S \* 10/2018 Norman ..... D16/131
- D870,548 S \* 12/2019 Modracek ..... D8/396
- 2001/0040190 A1 \* 11/2001 Utter ..... B05B 9/047  
239/152
- 2004/0211868 A1 \* 10/2004 Holmes ..... F16M 11/041  
248/231.71
- 2005/0077391 A1 \* 4/2005 Powell ..... B05B 9/0423  
239/373

(Continued)

**FOREIGN PATENT DOCUMENTS**

GB 1029429 \* 3/2000

**OTHER PUBLICATIONS**

BackPack | 3DNozzle Electrostatic Sprayers, no date, <https://www.3dnozzle.com/backpack/>, site visited Jun. 7, 2020.\*

*Primary Examiner* — John R Yeh

(74) *Attorney, Agent, or Firm* — William G. Sykes

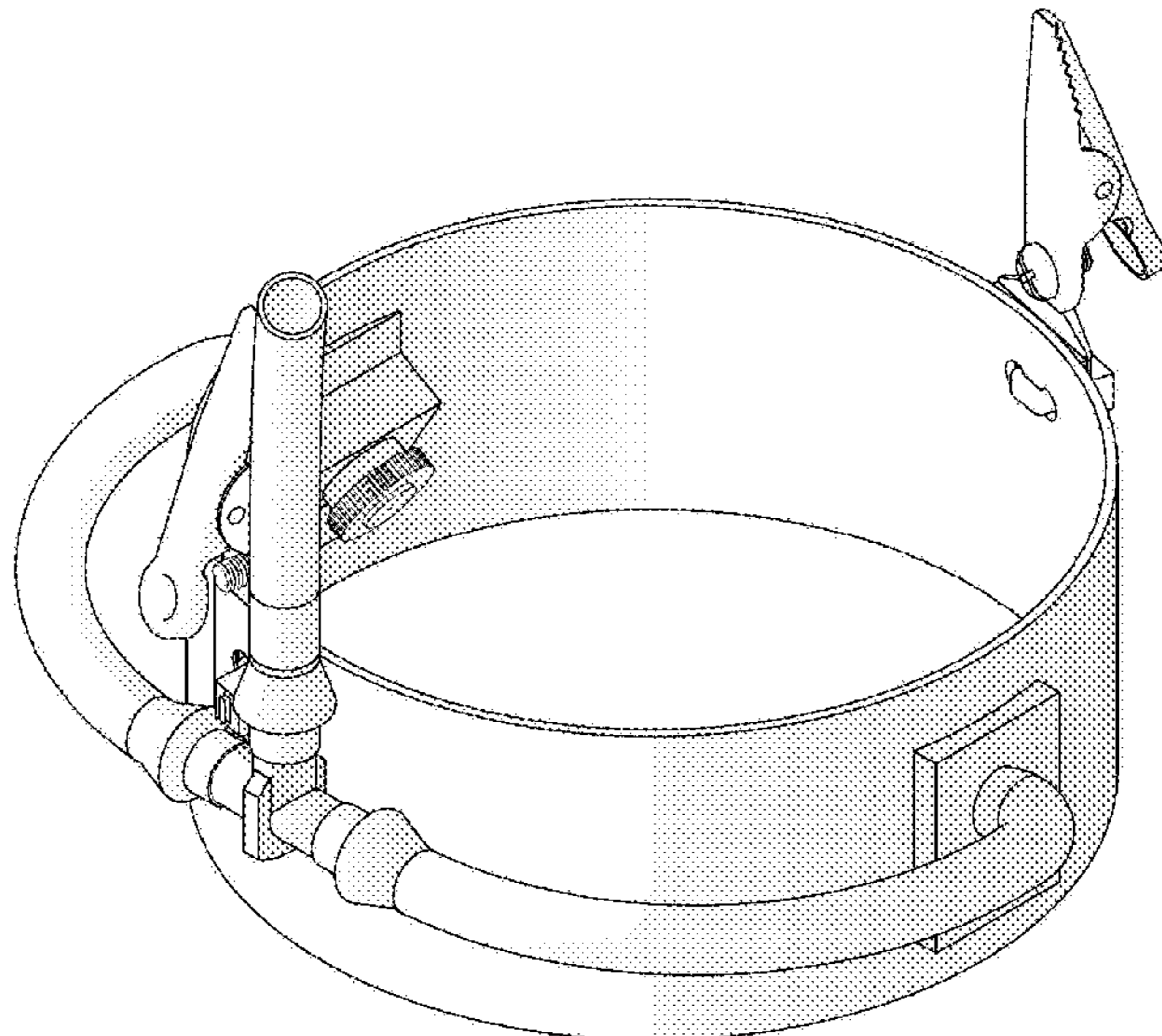
(57) **CLAIM**

The ornamental design for a blower to sprayer converter with outside collar, as shown.

**DESCRIPTION**

FIG. 1 is a front right isometric view of a blower to sprayer converter with outside collar showing my new design;  
FIG. 2 is a front view thereof;  
FIG. 3 is a top view thereof;  
FIG. 4 is a bottom view thereof;  
FIG. 5 is a right side view thereof;  
FIG. 6 is a left side view thereof; and,  
FIG. 7 is a back view thereof.

**1 Claim, 7 Drawing Sheets**



(56)

**References Cited**

U.S. PATENT DOCUMENTS

2015/0335004 A1\* 11/2015 Gale ..... A01M 7/0089  
43/132.1  
2018/0014525 A1\* 1/2018 Bennington ..... B05B 7/2427  
2018/0280638 A1\* 10/2018 Buchmann ..... A61M 16/0006

\* cited by examiner

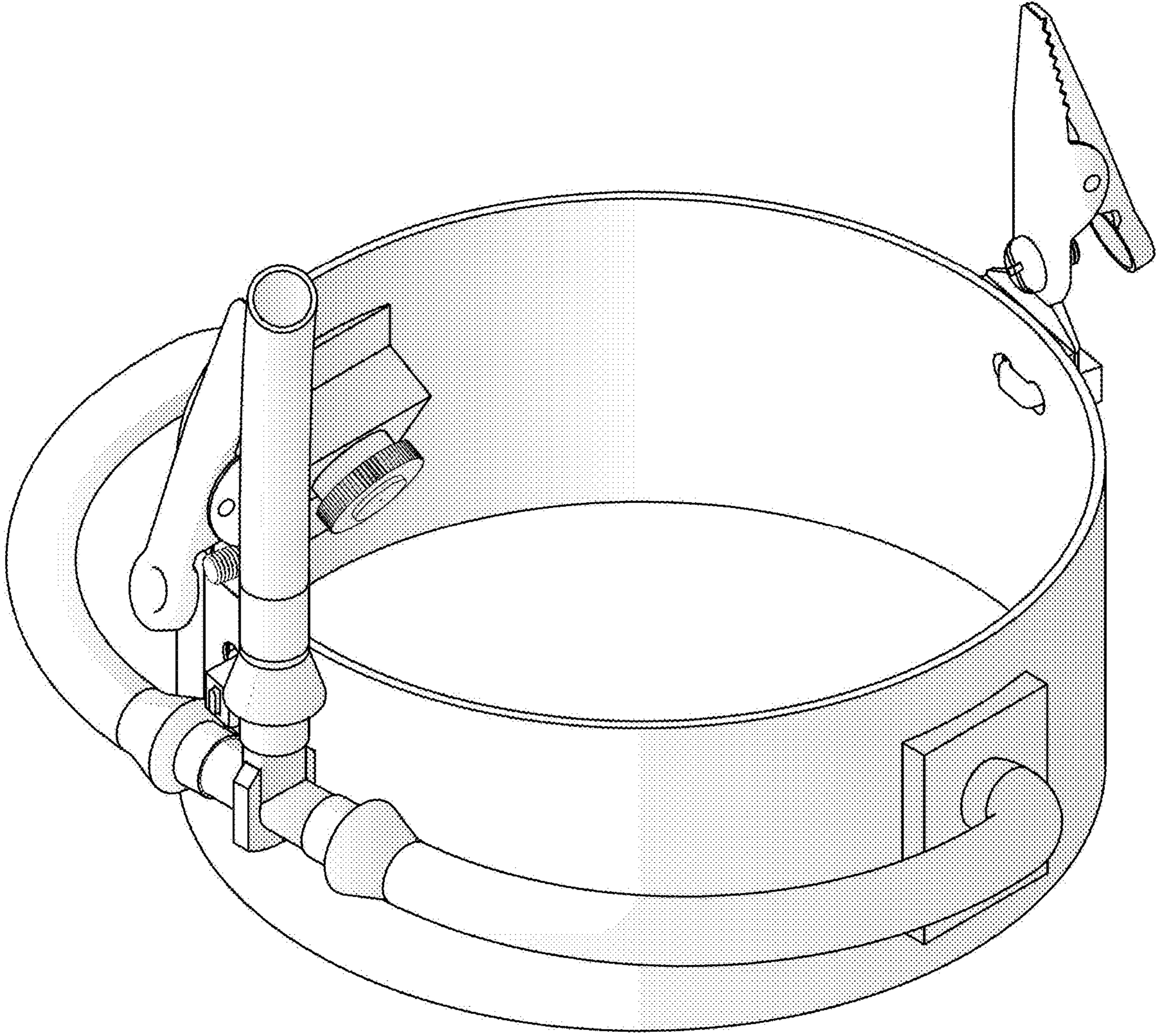


Fig. 1

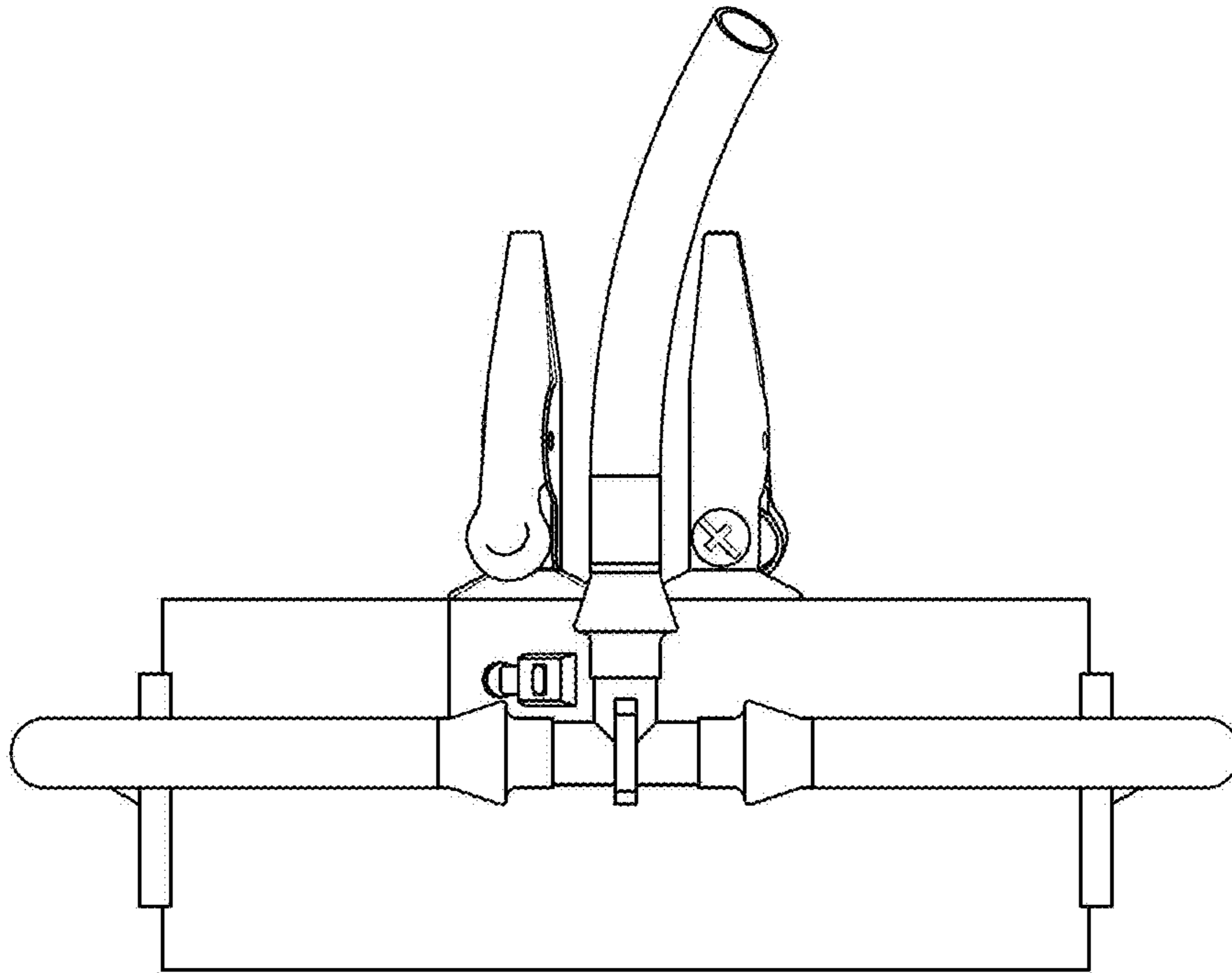


Fig. 2

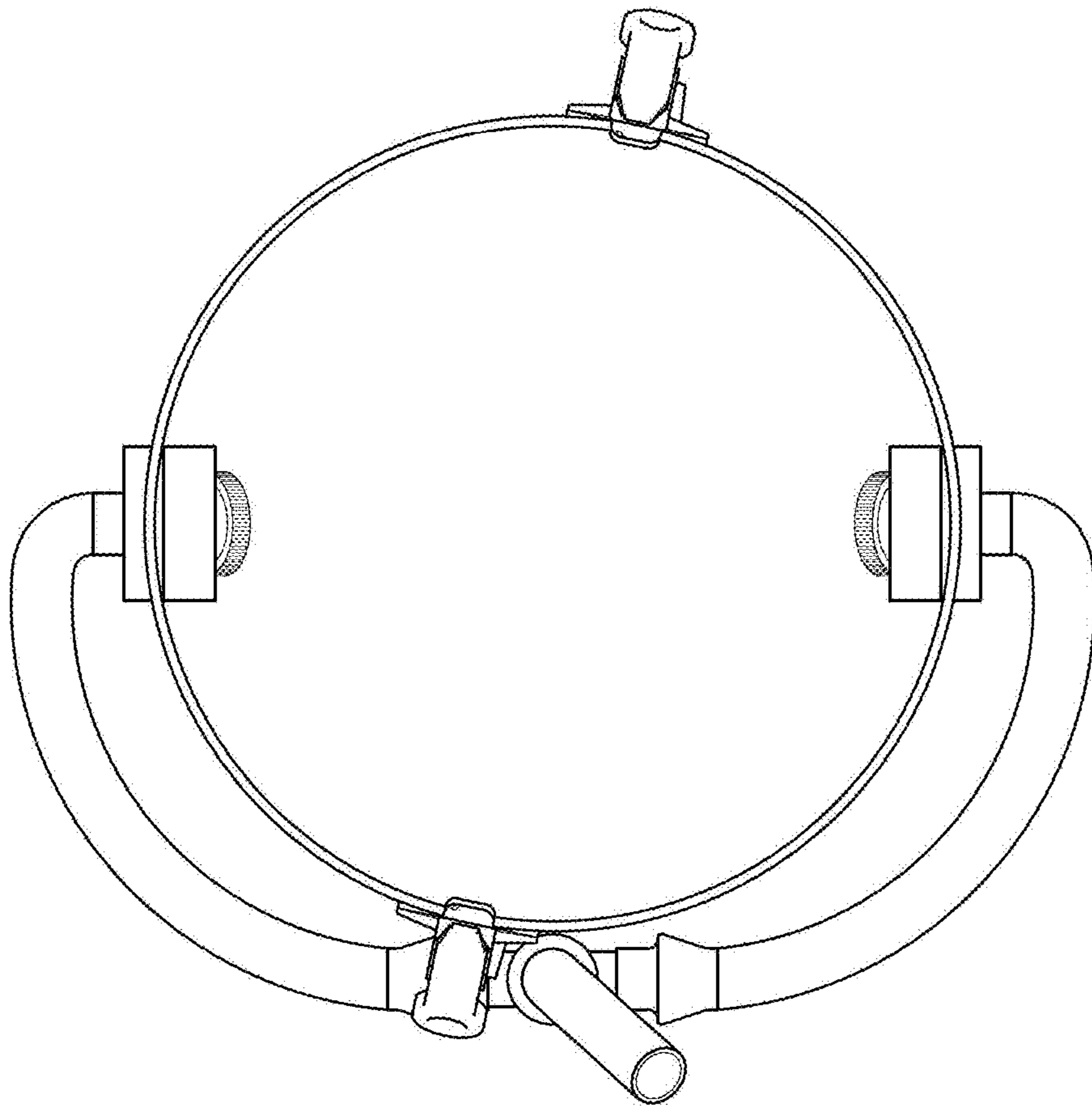


Fig. 3

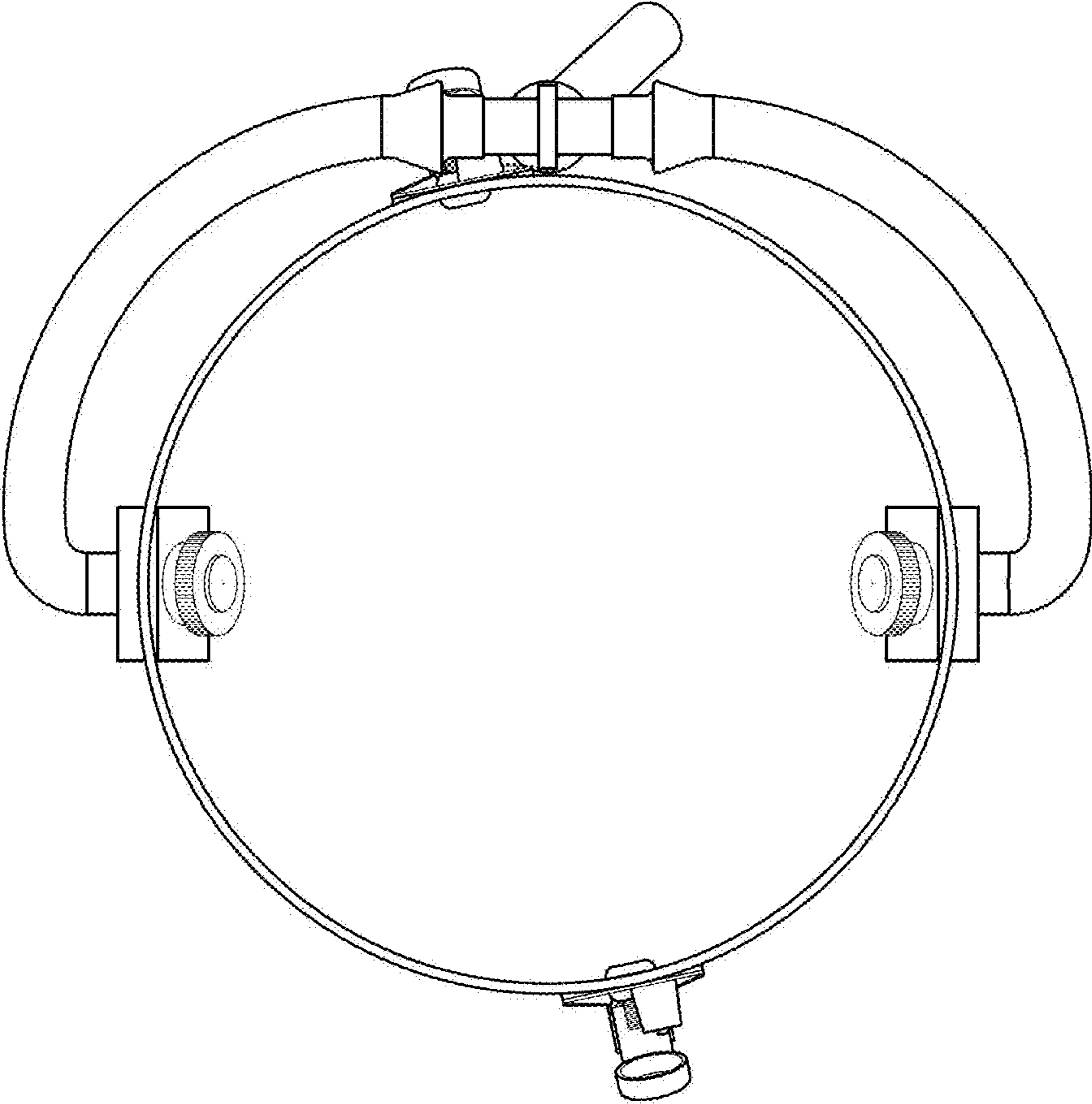


Fig. 4

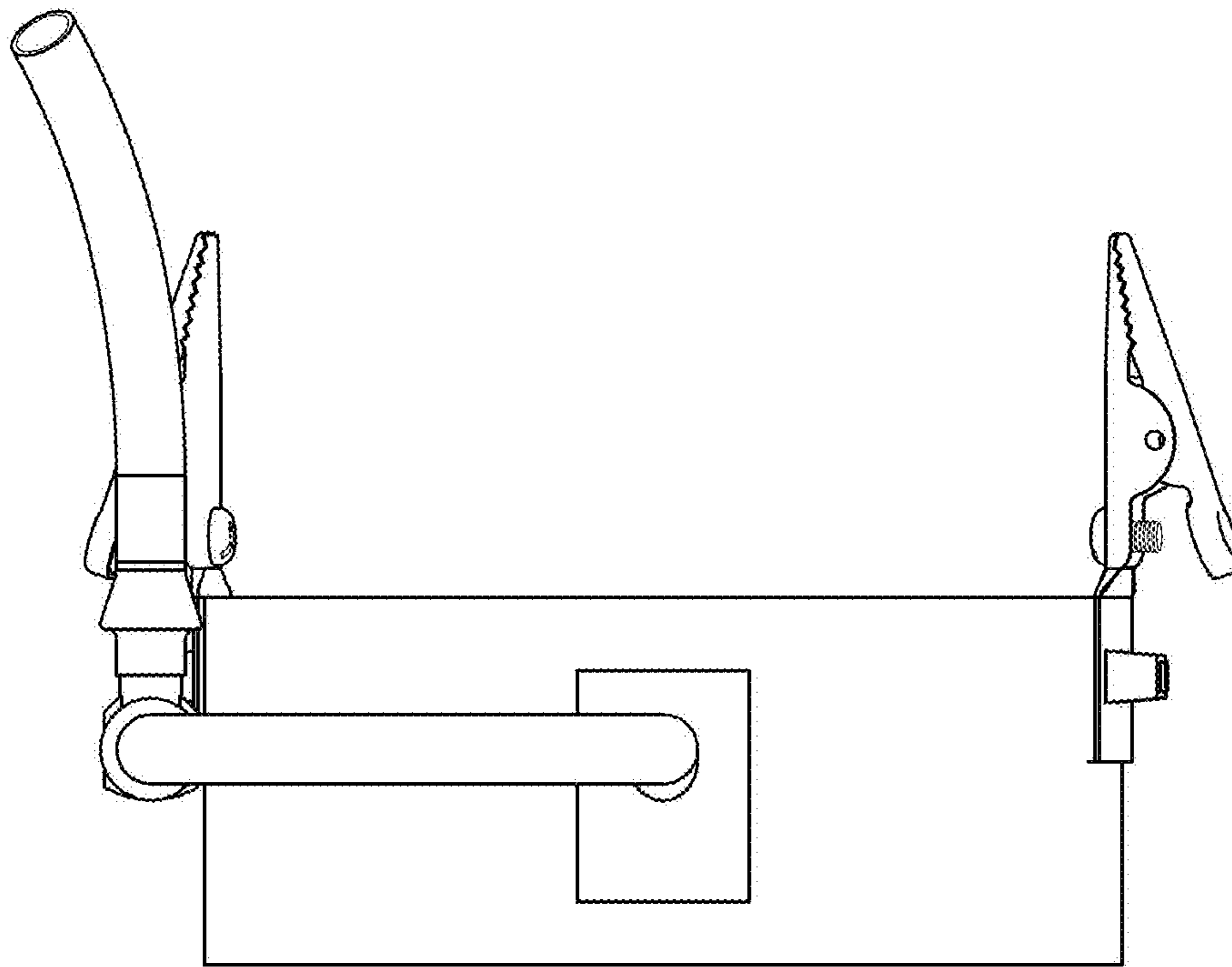


Fig. 5

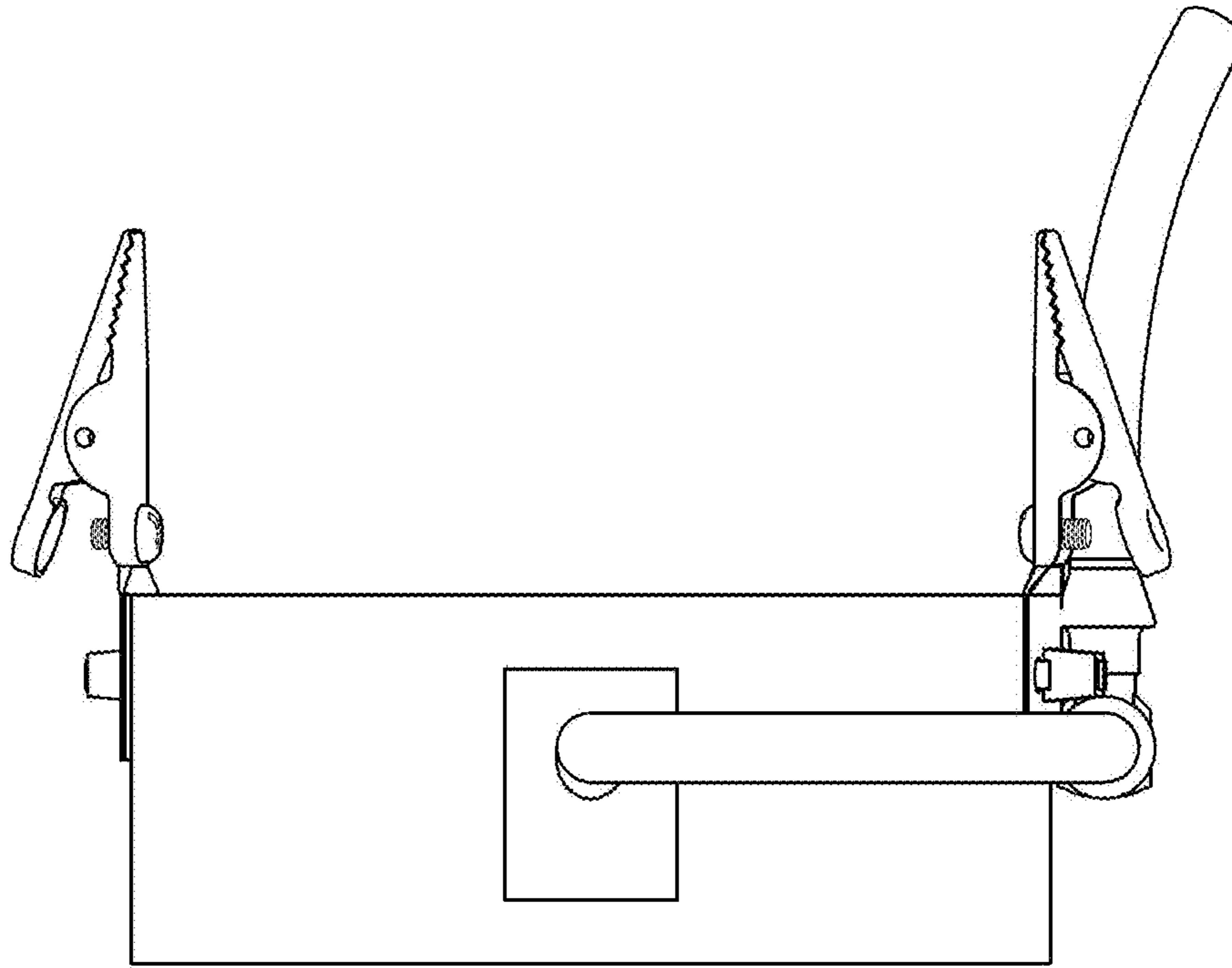


Fig. 6



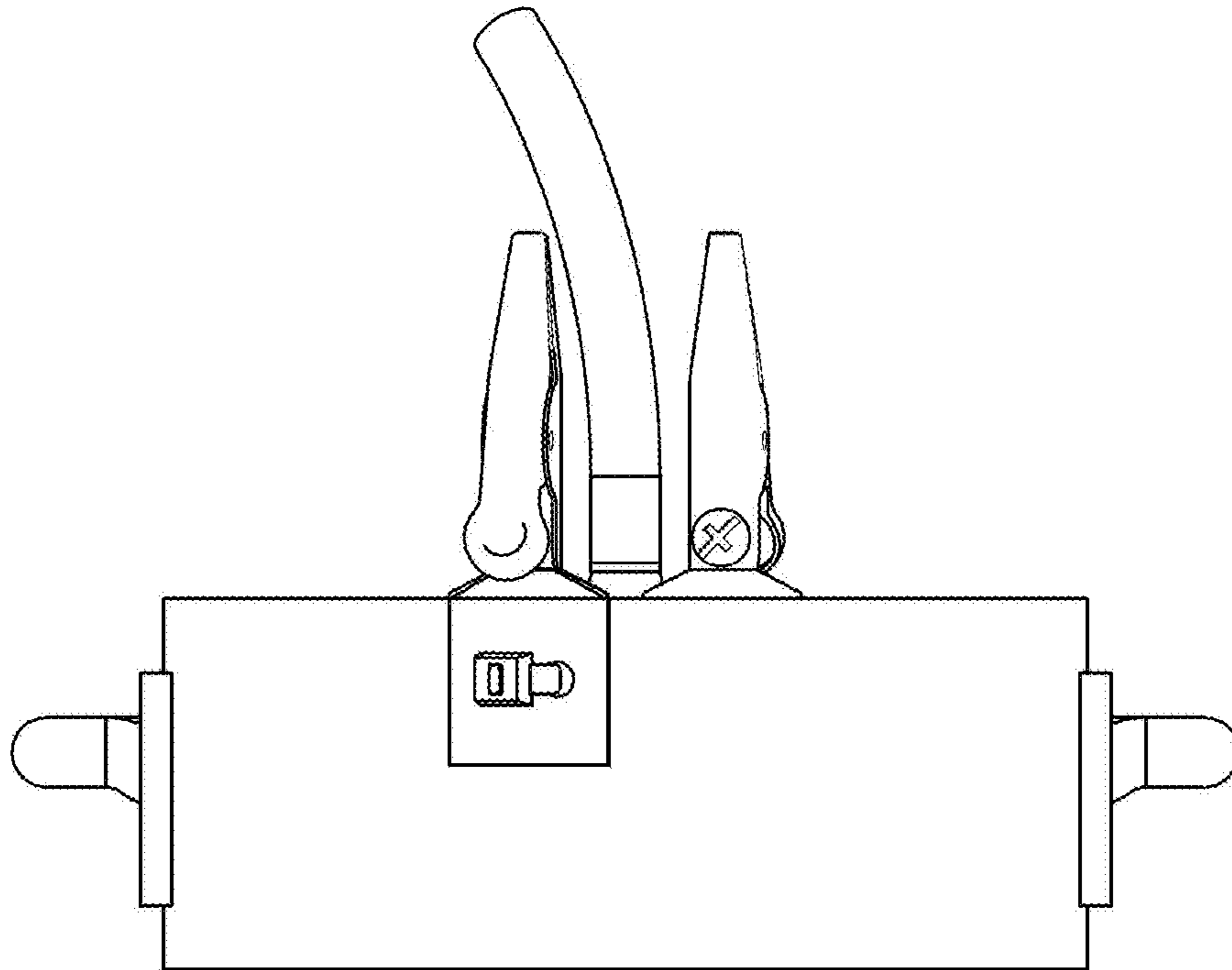


Fig. 7