



US00D917811S

(12) **United States Design Patent**  
**Kim et al.**

(10) **Patent No.:** **US D917,811 S**  
(45) **Date of Patent:** **\*\* Apr. 27, 2021**

(54) **WATER PAIL FOR DRYING MACHINE**

FOREIGN PATENT DOCUMENTS

(71) Applicant: **Samsung Electronics Co., Ltd.**,  
Suwon-si (KR)

KR 30-2012-0042874 8/2013  
KR 30-2013-0000142 4/2014

(72) Inventors: **Jinnam Kim**, Seoul (KR); **Dong Won Chun**, Seoul (KR)

OTHER PUBLICATIONS

(73) Assignee: **Samsung Electronics Co., Ltd.**,  
Suwon-si (KR)

“Dream Plot.” [2014] [www.blog.naver.com](http://www.blog.naver.com) Jun. 22, 2014 <[https://blog.naver.com/dream\\_plot/220038386891](https://blog.naver.com/dream_plot/220038386891)>.

(\*\*) Term: **15 Years**

*Primary Examiner* — Michelle E. Wilson

(21) Appl. No.: **29/649,427**

(74) *Attorney, Agent, or Firm* — NSIP Law

(22) Filed: **May 30, 2018**

(57) **CLAIM**

(30) **Foreign Application Priority Data**

We claim the ornamental design for a water pail for drying machine, as shown and described.

Feb. 22, 2018 (KR) ..... 30-2018-0009081

(51) **LOC (13) Cl.** ..... **15-05**

(52) **U.S. Cl.**  
USPC ..... **D32/25**

(58) **Field of Classification Search**  
USPC ..... D32/1, 5, 6, 8, 10, 11, 25, 29  
CPC ..... D06F 17/04; D06F 31/00; D06F 37/02;  
D06F 37/0812; D06F 37/145; D06F  
39/125; B08B 3/12  
See application file for complete search history.

**DESCRIPTION**

FIG. 1 is a front perspective view of a water pail for drying machine showing our new design;  
FIG. 2 is a front view thereof;  
FIG. 3 is a rear view thereof;  
FIG. 4 is a left-side view thereof;  
FIG. 5 is a right-side view thereof;  
FIG. 6 is a top view thereof;  
FIG. 7 is a bottom view thereof;  
FIG. 8 is a rear perspective view thereof;  
FIG. 9 is a cross-sectional view taken through line 9-9 of FIG. 2;  
FIG. 10 is a cross-sectional view taken through line 10-10 of FIG. 3; and,  
FIG. 11 is a front perspective view thereof, in an environment of use.  
The broken lines in the figures depicting portions of the water pail for drying machine form no part of the claimed design. The broken lines in FIG. 11 illustrating a drying machine are environment that form no part of the claimed design.

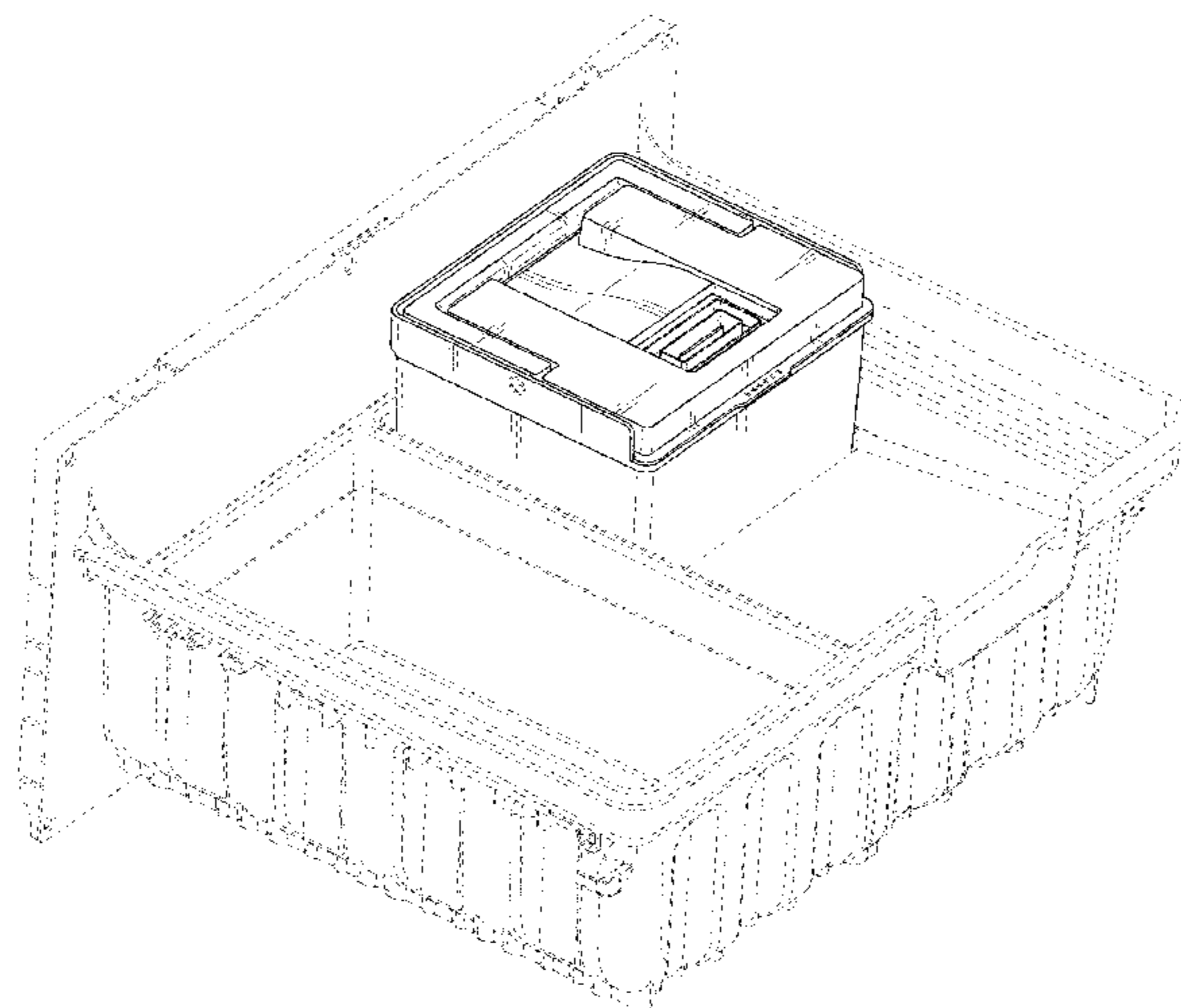
(56) **References Cited**

U.S. PATENT DOCUMENTS

|              |         |            |       |          |
|--------------|---------|------------|-------|----------|
| D620,211 S * | 7/2010  | Shail      | ..... | D32/25   |
| D629,168 S * | 12/2010 | Park       | ..... | D32/25   |
| D633,670 S * | 3/2011  | Grutzke    | ..... | D32/25   |
| D634,904 S * | 3/2011  | Preda      | ..... | D32/25   |
| D645,623 S * | 9/2011  | Helot      | ..... | D32/25   |
| D704,909 S * | 5/2014  | Jeon       | ..... | D32/25   |
| D732,765 S * | 6/2015  | Joo        | ..... | D32/25   |
| D784,637 S * | 4/2017  | Kim        | ..... | D32/25   |
| D808,205 S * | 1/2018  | Cunningham | ..... | D6/705.1 |
| D811,028 S * | 2/2018  | Ha         | ..... | D32/25   |
| D814,722 S * | 4/2018  | Ha         | ..... | D32/25   |
| D815,376 S * | 4/2018  | Lee        | ..... | D32/25   |

(Continued)

**1 Claim, 11 Drawing Sheets**



(56)

**References Cited**

U.S. PATENT DOCUMENTS

|          |   |   |         |          |       |        |
|----------|---|---|---------|----------|-------|--------|
| D816,283 | S | * | 4/2018  | Lee      | ..... | D32/25 |
| D818,220 | S | * | 5/2018  | Yoo      | ..... | D32/6  |
| D862,013 | S | * | 10/2019 | Um       | ..... | D32/25 |
| D862,014 | S | * | 10/2019 | Kim      | ..... | D32/25 |
| D862,015 | S | * | 10/2019 | Kim      | ..... | D32/25 |
| D862,820 | S | * | 10/2019 | Kim      | ..... | D32/25 |
| D866,887 | S | * | 11/2019 | Kubasiak | ..... | D32/25 |

\* cited by examiner

FIG. 1

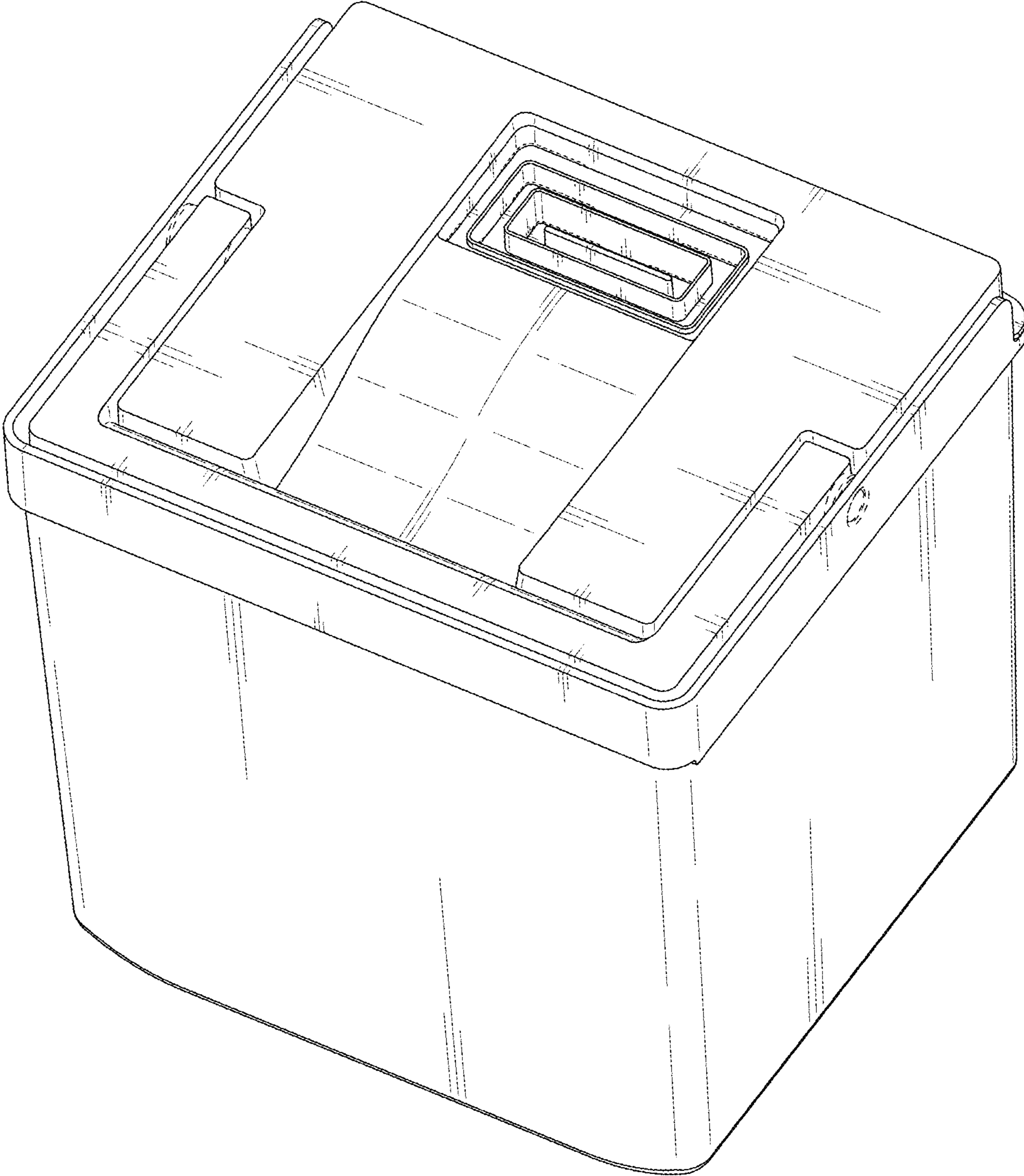


FIG. 2

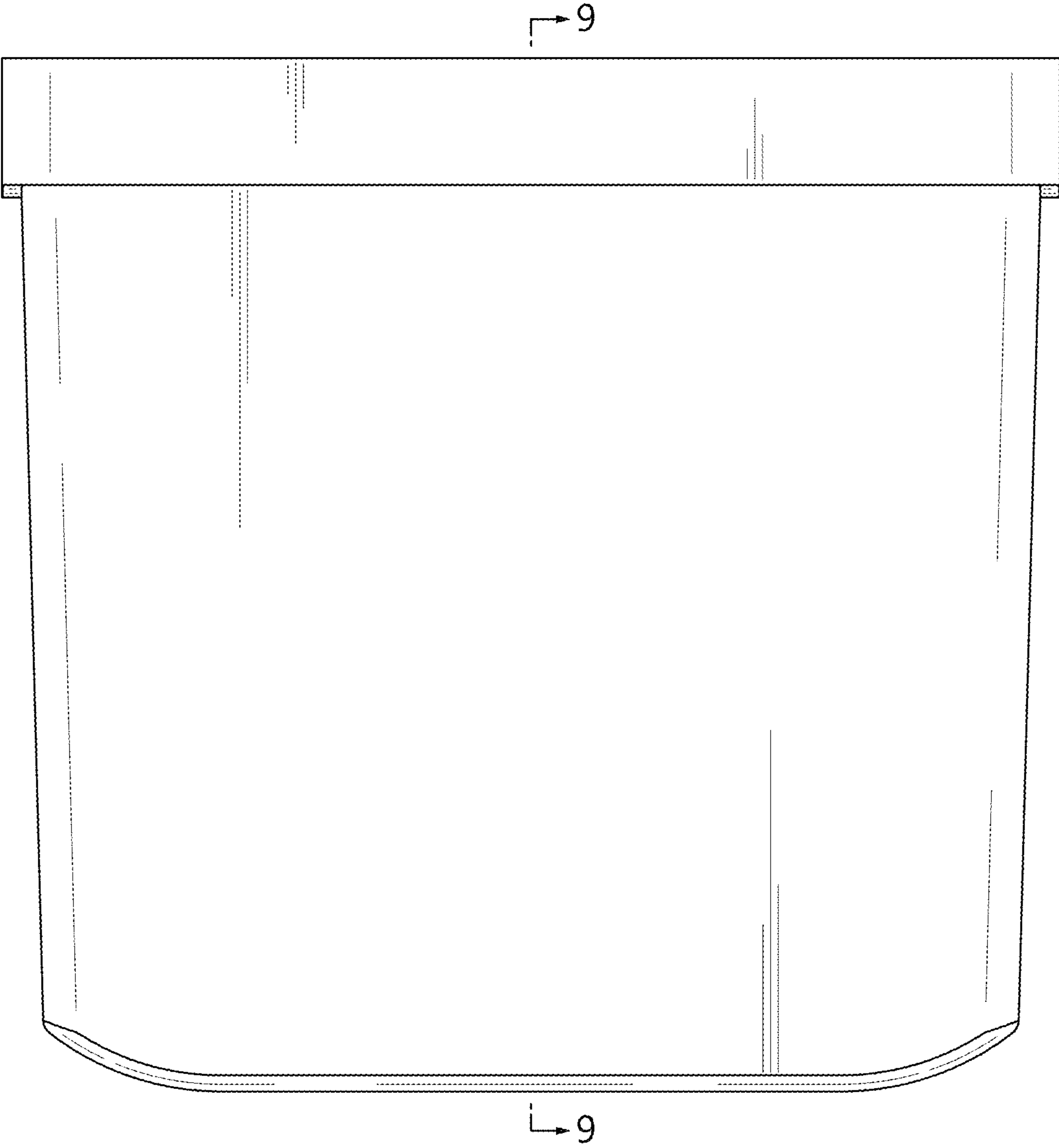


FIG. 3

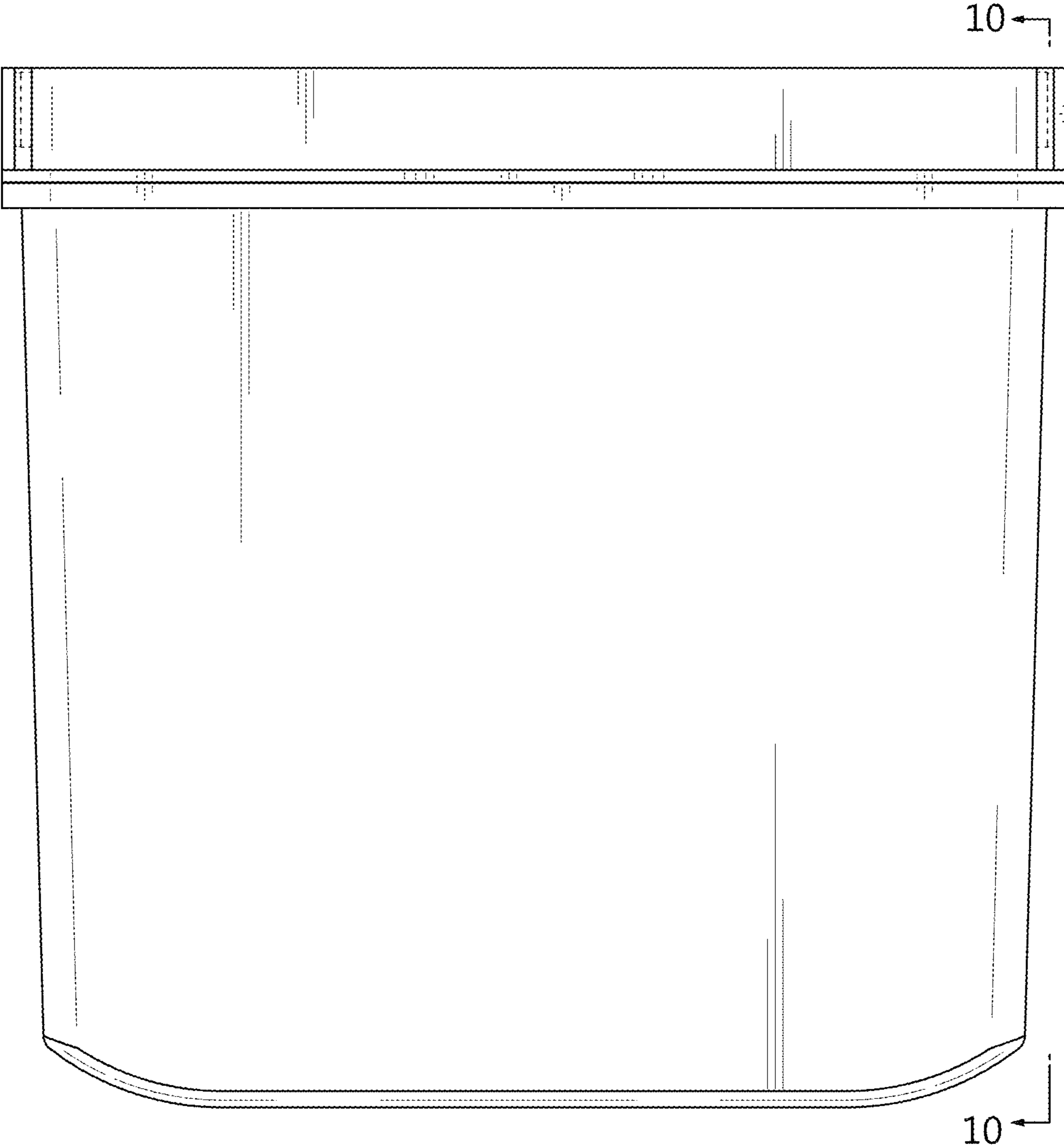


FIG. 4

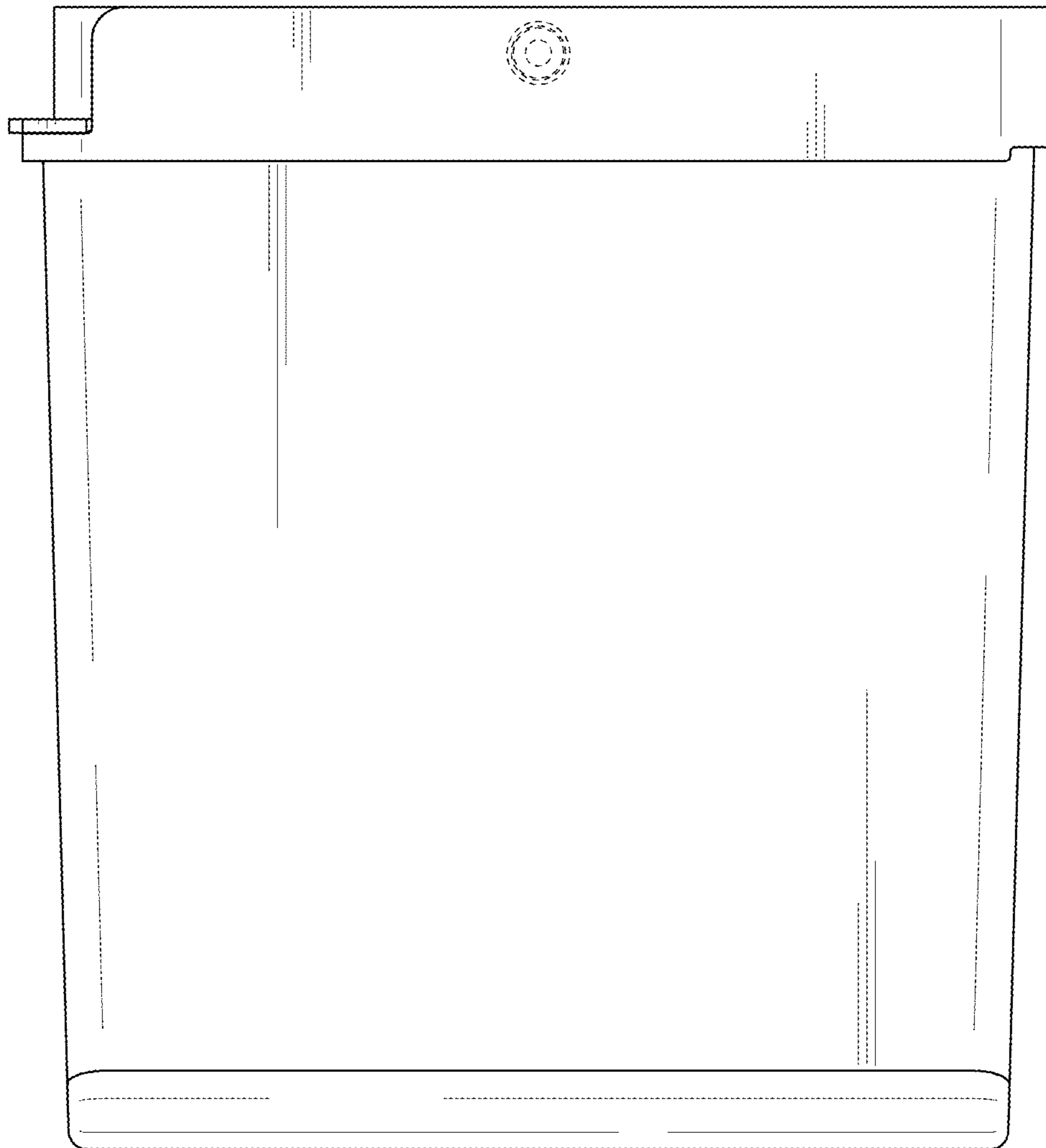


FIG. 5

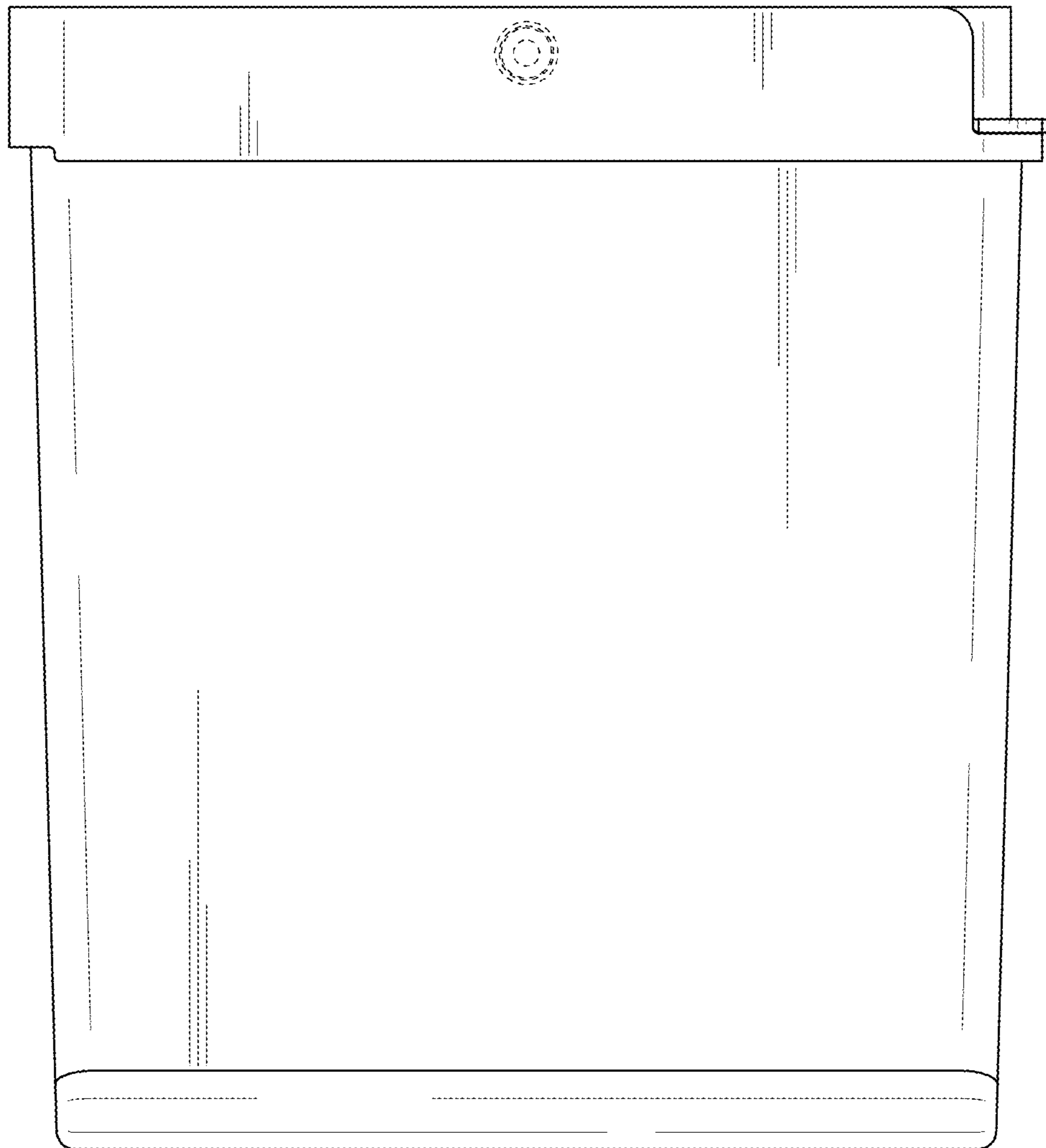


FIG. 6

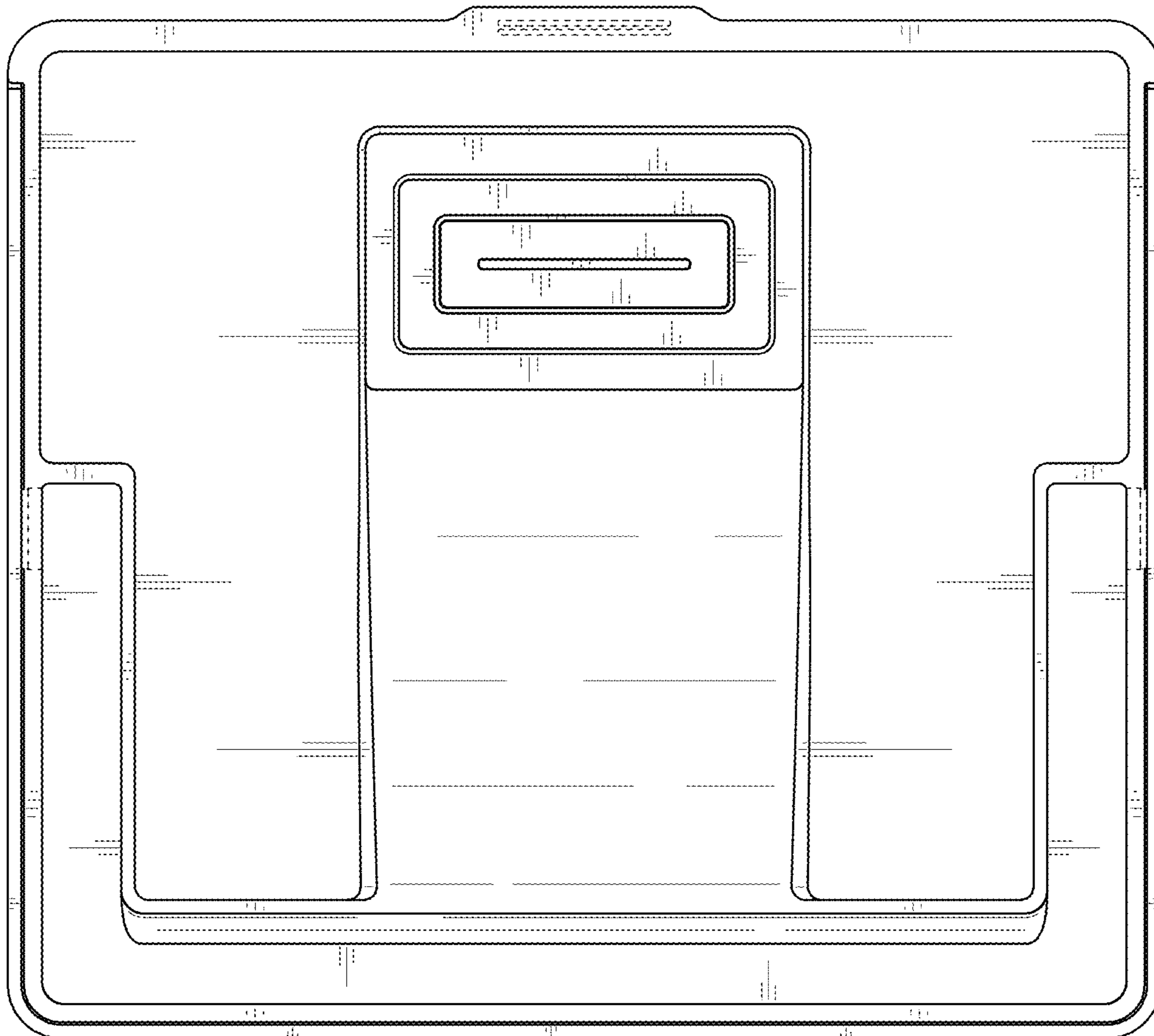




FIG. 7

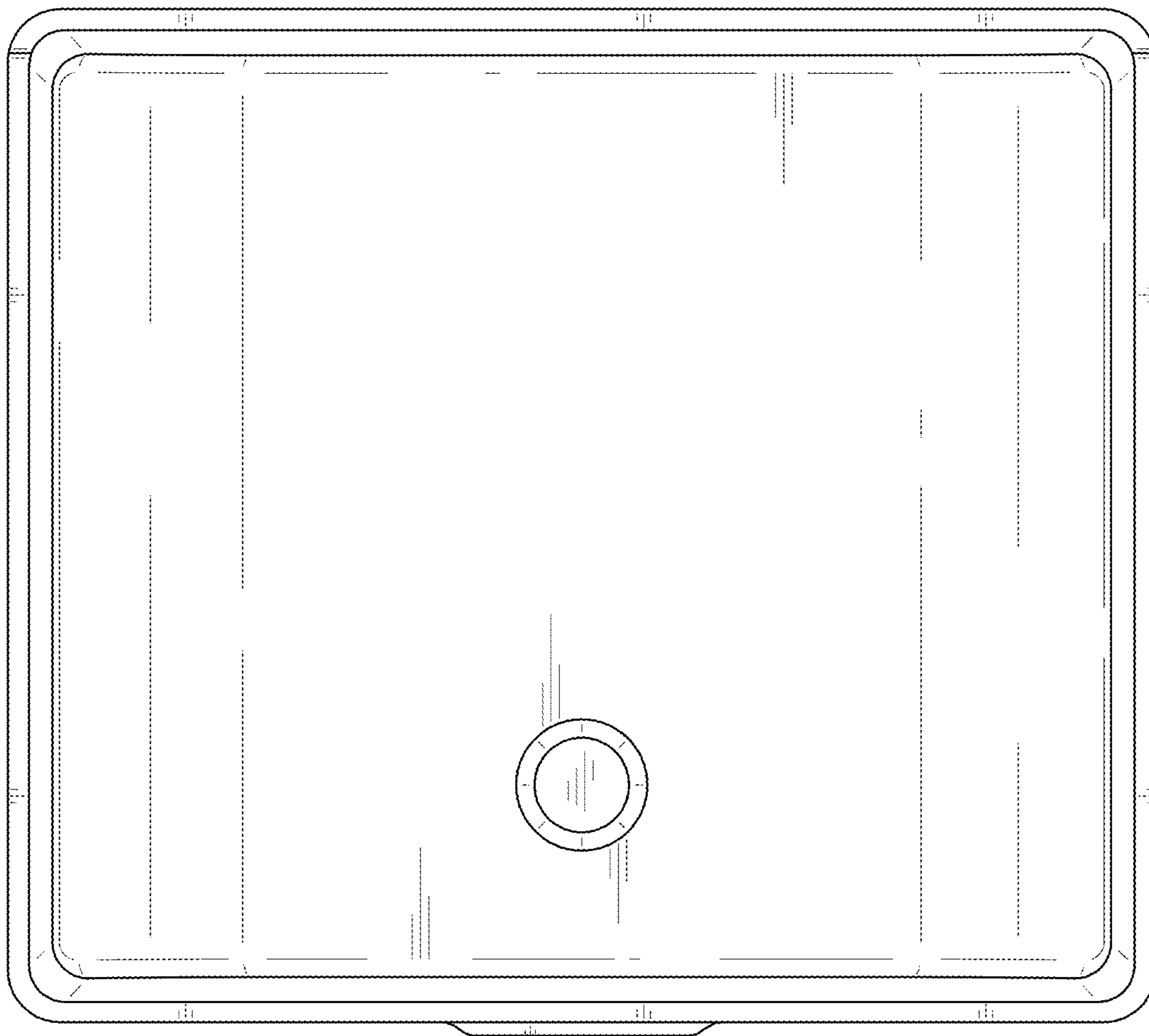


FIG. 8

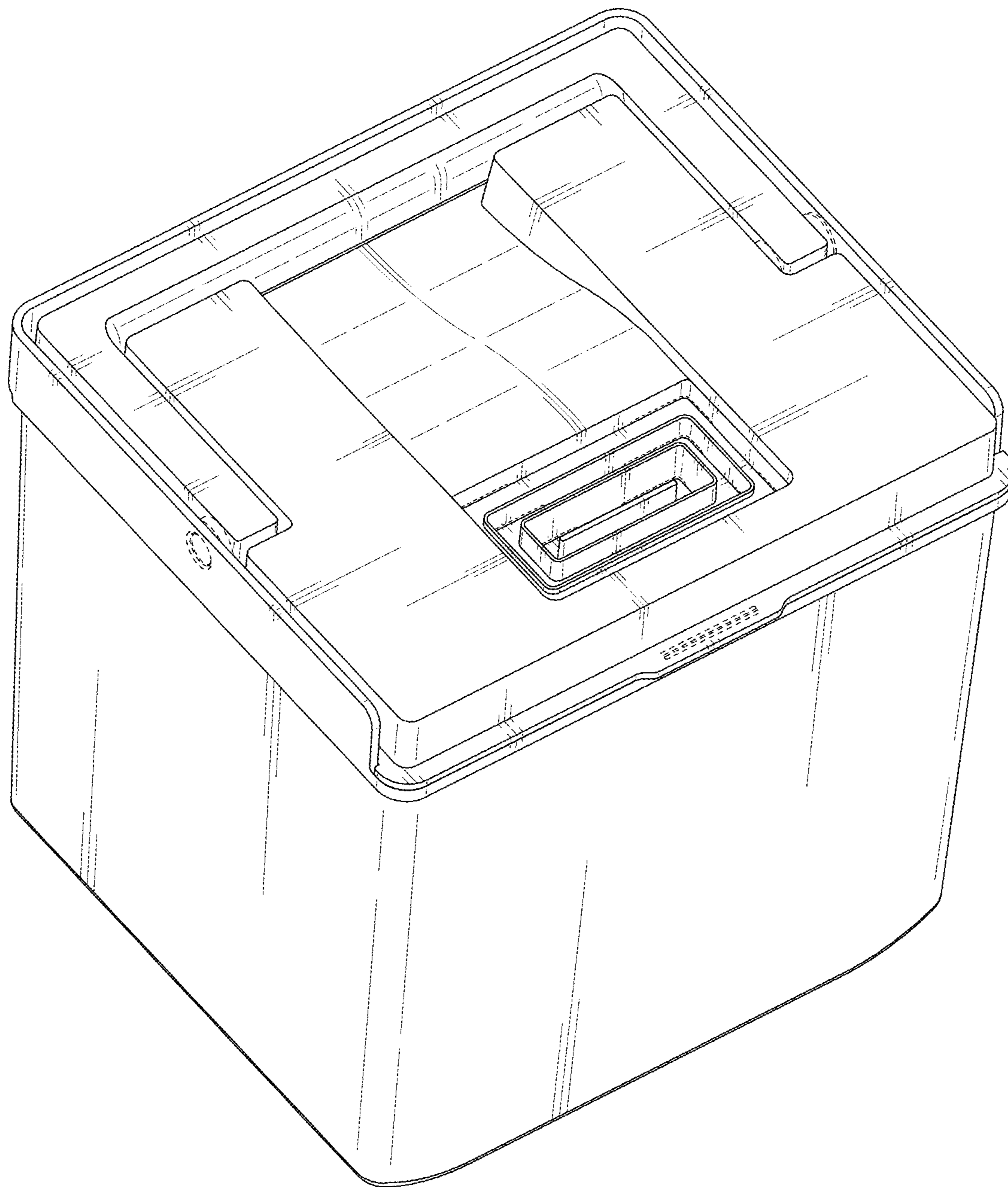


FIG. 9

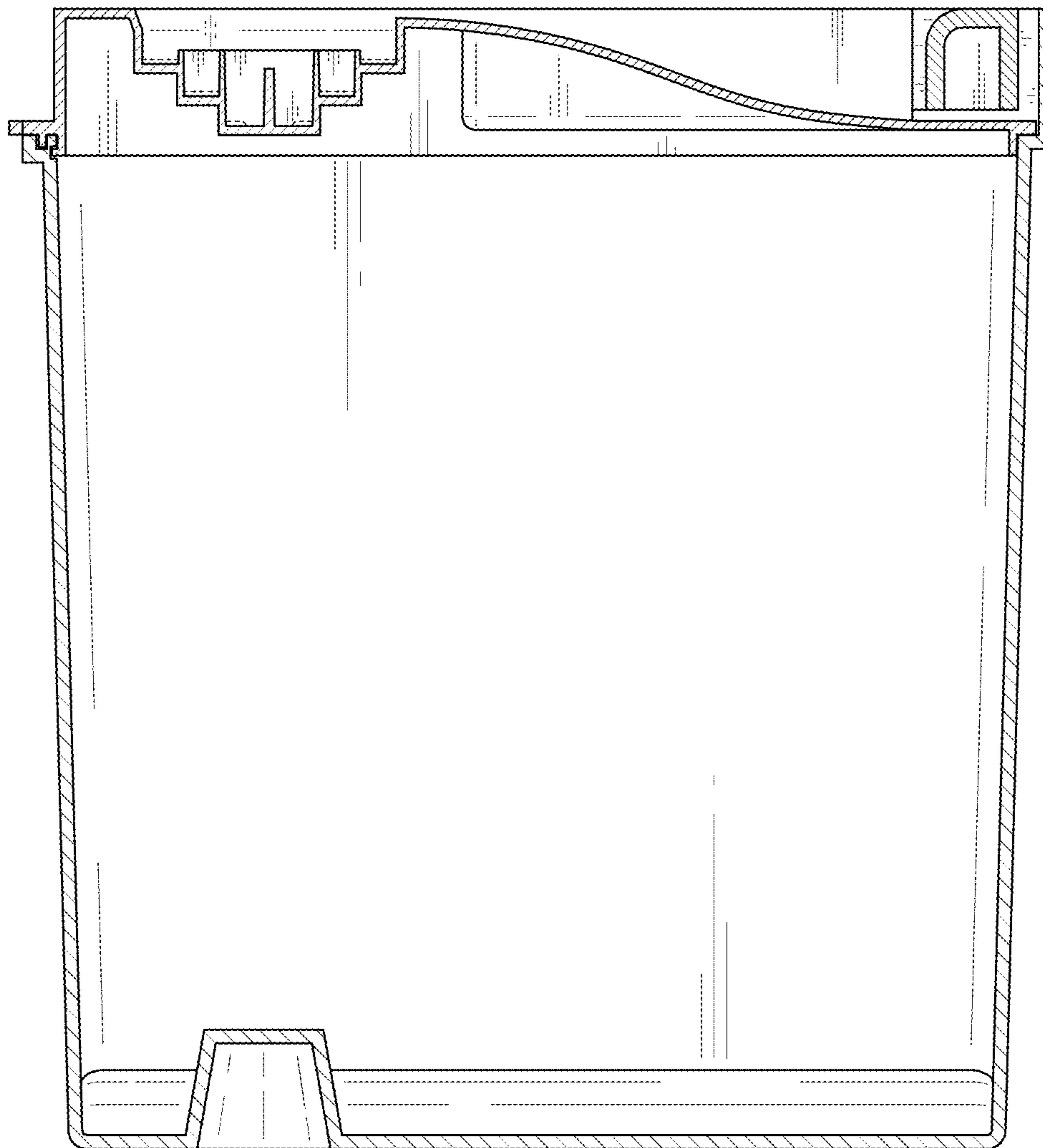


FIG. 10

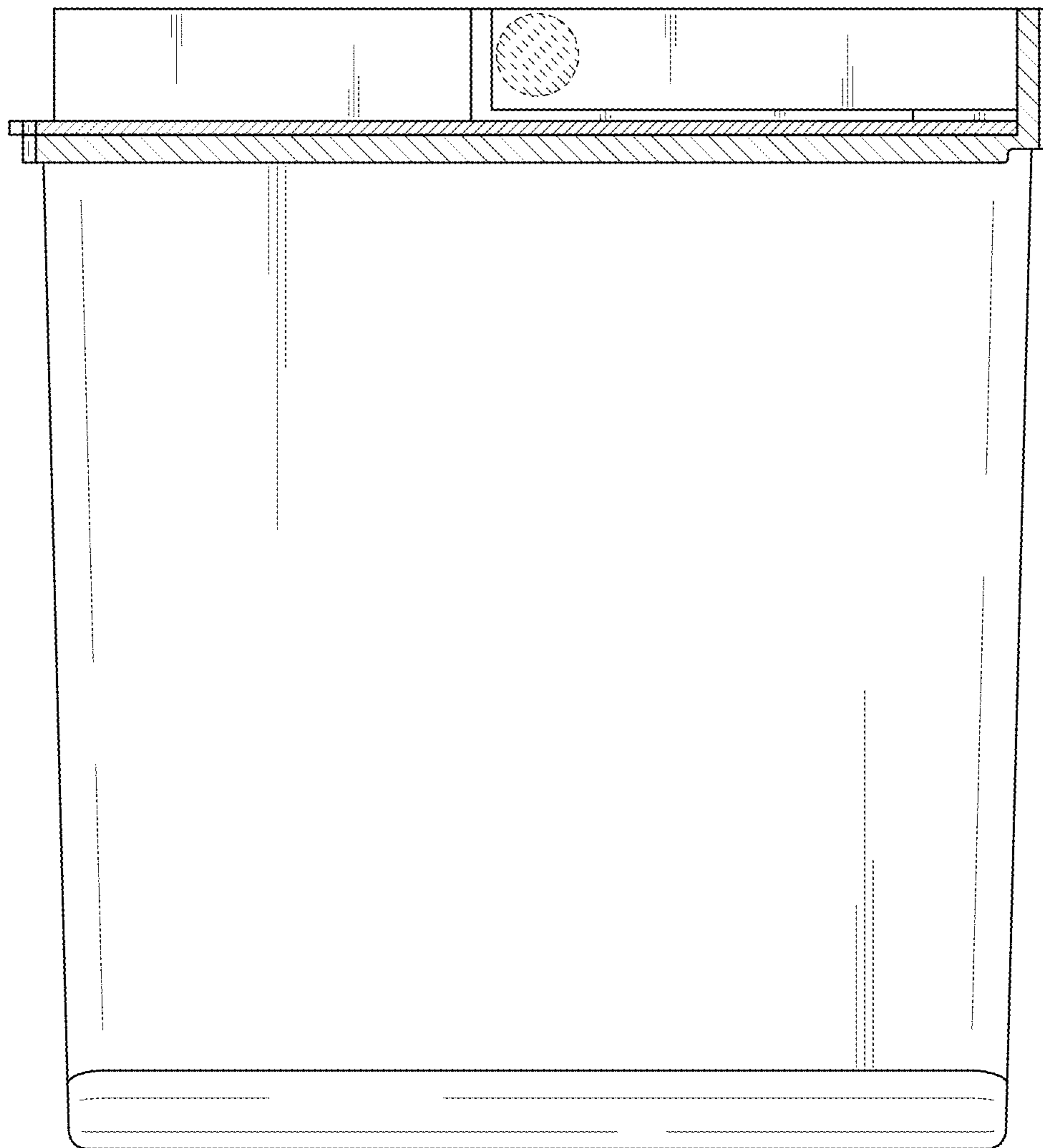


FIG. 11

