



US00D917810S

(12) **United States Design Patent**
Knapp et al.

(10) **Patent No.:** **US D917,810 S**
(45) **Date of Patent:** **** Apr. 27, 2021**

(54) **MULTI-SURFACE VACUUM CLEANER**

D821,047 S * 6/2018 Wrobleski D32/31
10,092,155 B2 * 10/2018 Xia A47L 11/4041
10,512,383 B2 * 12/2019 Luyckx A47L 11/4027

(Continued)

(71) Applicant: **BISSELL Inc.**, Grand Rapids, MI (US)

(72) Inventors: **Mackenzie L. Knapp**, Saranac, MI (US); **David M. Miller**, Zeeland, MI (US); **Colin J. Bloemendaal**, Grand Rapids, MI (US)

FOREIGN PATENT DOCUMENTS

CN 305744639 * 4/2020
EM 6694774-0004 * 10/2019

(Continued)

(73) Assignee: **BISSELL Inc.**, Grand Rapids, MI (US)

(**) Term: **15 Years**

OTHER PUBLICATIONS

(21) Appl. No.: **29/684,314**

“How to Perform Maintenance on your CrossWave Cordless MAX”, announced in YouTube on date [online], [site visited Nov. 16, 2020], Available from the internet URL: <https://www.youtube.com/watch?v=hfjGK1VYMPU> (Year: 2019).*

(22) Filed: **Mar. 20, 2019**

(Continued)

(51) **LOC (13) Cl.** **15-05**

(52) **U.S. Cl.**

USPC **D32/22**

(58) **Field of Classification Search**

USPC D32/17, 18, 21, 22, 23, 24, 31; D21/526
CPC A46B 9/06; A47L 5/24; A47L 5/28; A47L 5/30; A47L 5/34; A47L 7/0004; A47L 9/04; A47L 9/325; A47L 9/1683; A47L 11/302; A47L 11/34; A47L 11/4005; A47L 11/4008; A47L 11/4016; A47L 11/4041; A47L 11/4044; A47L 11/4088; A47L 13/225; B04C 5/185; B08B 3/04; B23Q 11/0046; B23Q 11/0071; E04H 4/1636

See application file for complete search history.

Primary Examiner — Dana K Weiland

Assistant Examiner — Jennylou M Binas

(74) *Attorney, Agent, or Firm* — Warner Norcross + Judd LLP

(57)

CLAIM

The ornamental design for a multi-surface vacuum cleaner, as shown and described.

DESCRIPTION

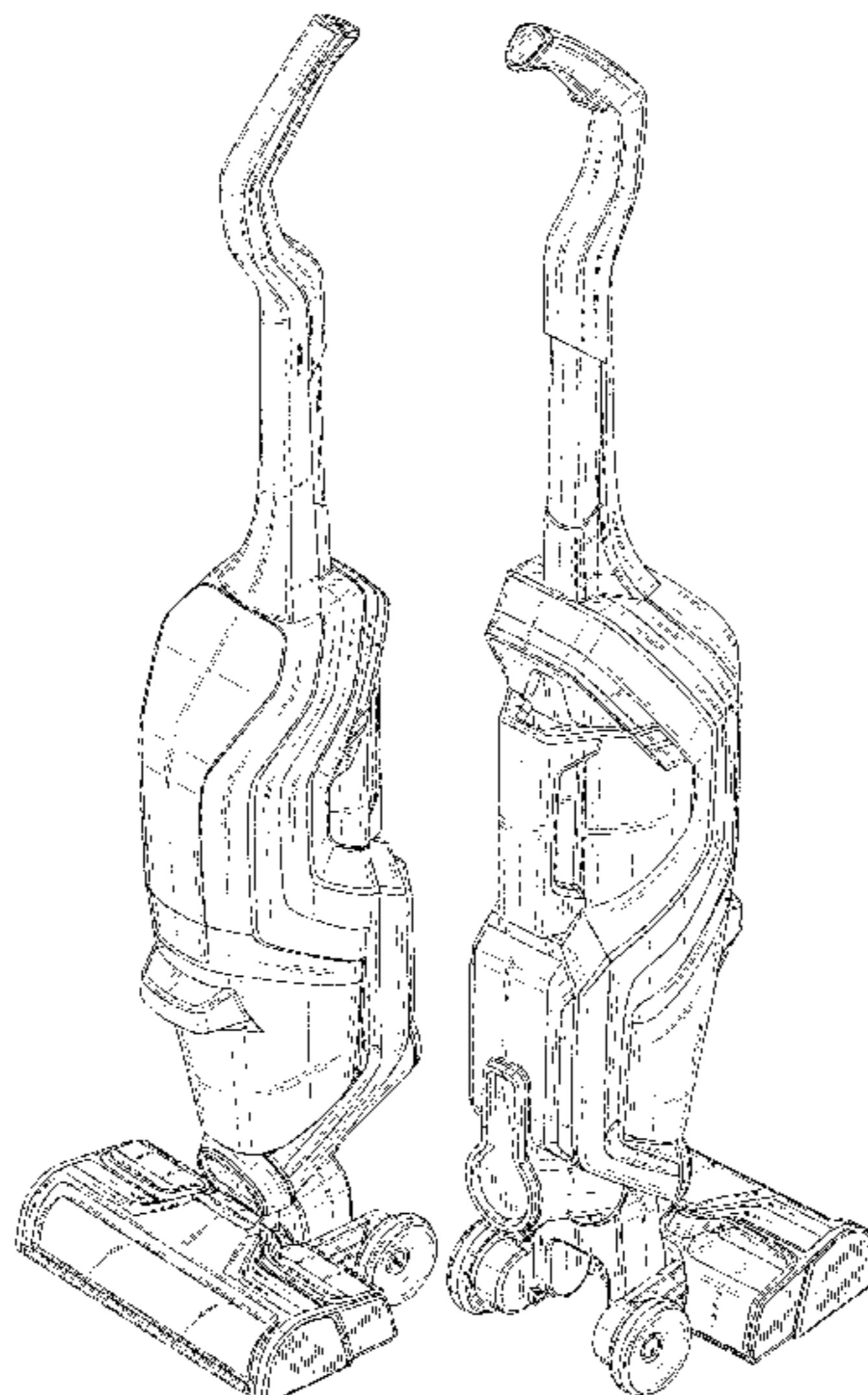
FIG. 1 is a front perspective view of a multi-surface vacuum cleaner showing our new design;
FIG. 2 is a rear perspective view thereof;
FIG. 3 is a front view thereof;
FIG. 4 is a rear view thereof;
FIG. 5 is a left side view thereof, the right side being a mirror image; and,
FIG. 6 is an enlarged top view thereof.
The details of the multi-surface vacuum cleaner shown in broken lines form no part of the claimed design. The oblique shade lines in FIGS. 1, 3, and 6 show transparency or translucency.

(56) **References Cited**

U.S. PATENT DOCUMENTS

D575,916 S * 8/2008 Stein D32/31
D722,410 S * 2/2015 Raven D32/31
D728,878 S * 5/2015 Johnson D32/31
D730,604 S * 5/2015 Luedke D32/31
D759,919 S * 6/2016 Smith D32/31
D778,015 S * 1/2017 Miller D32/31
D790,142 S * 6/2017 Carr D32/31
D791,421 S * 7/2017 Wu D32/31

1 Claim, 6 Drawing Sheets



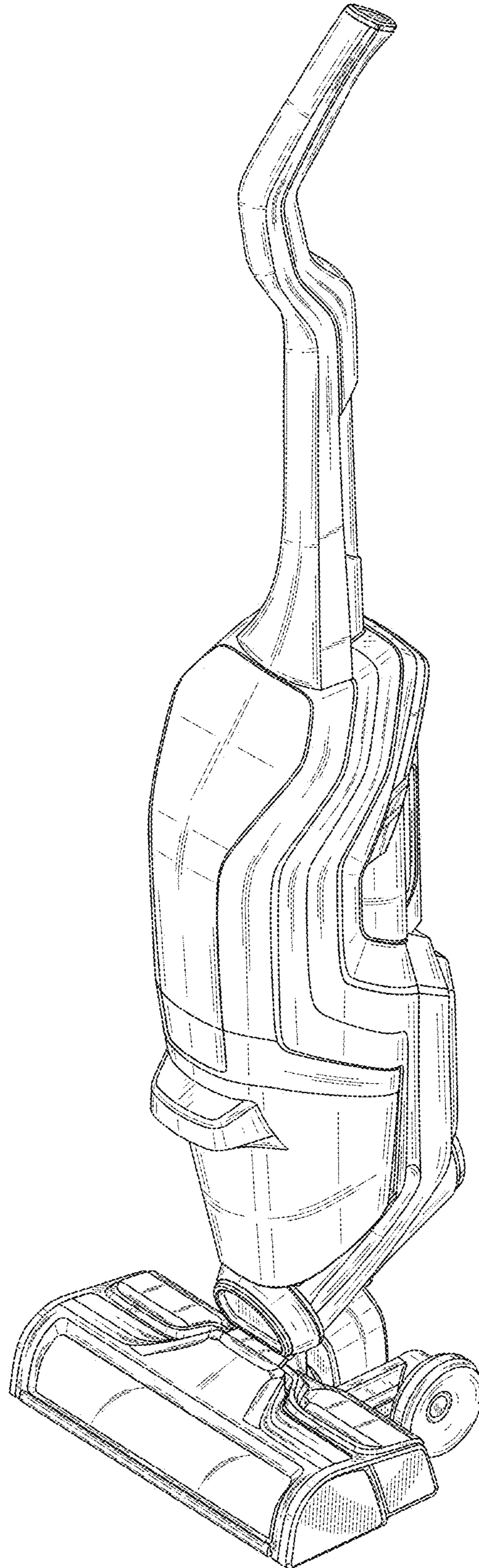


FIG. 1

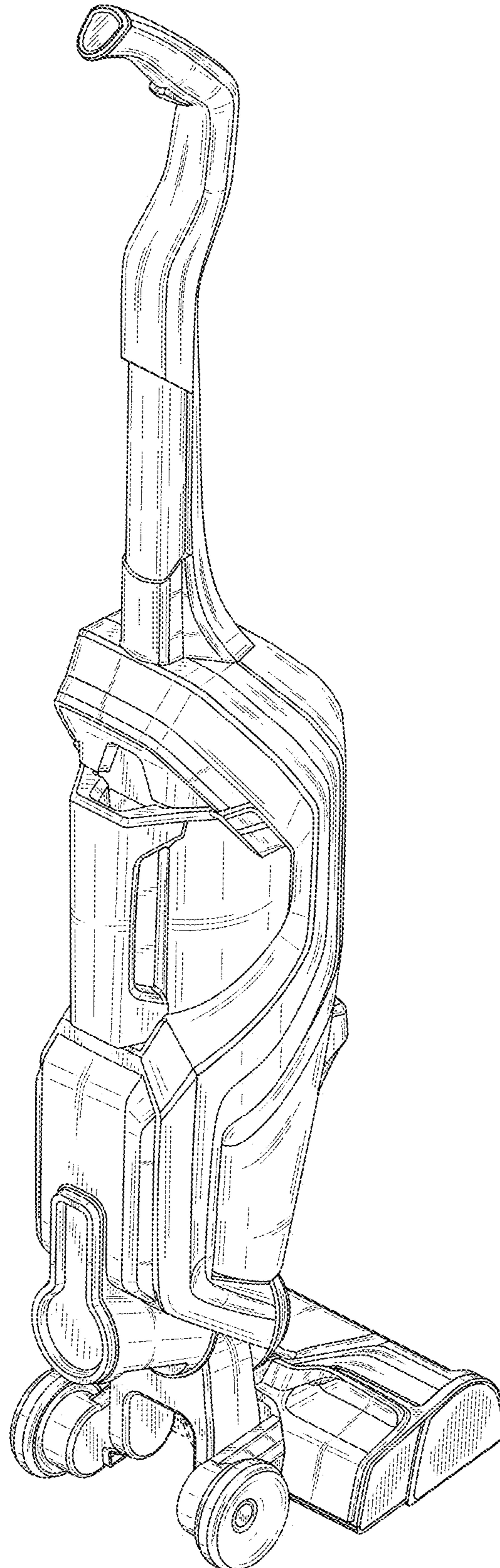


FIG. 2

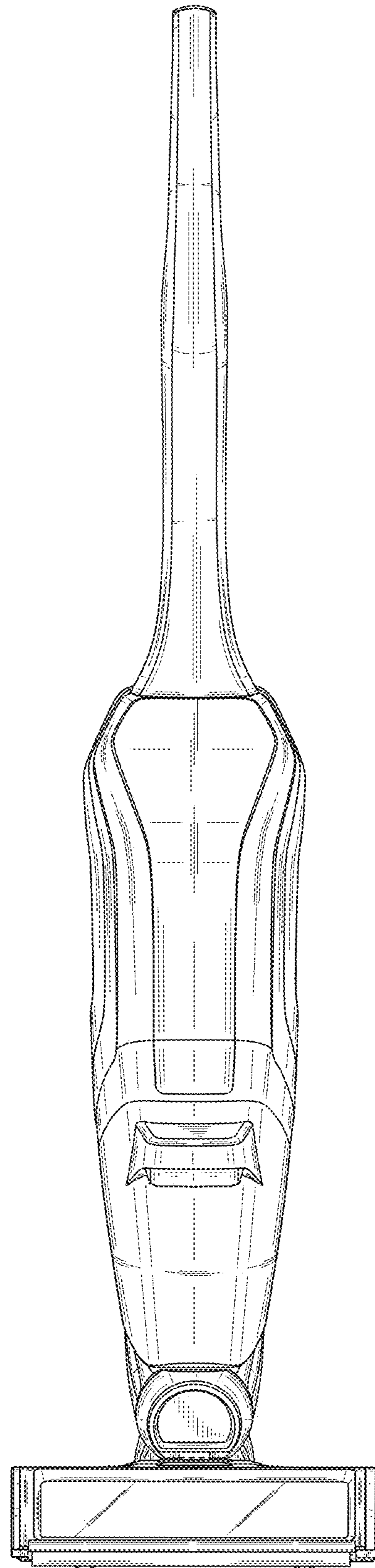


FIG. 3

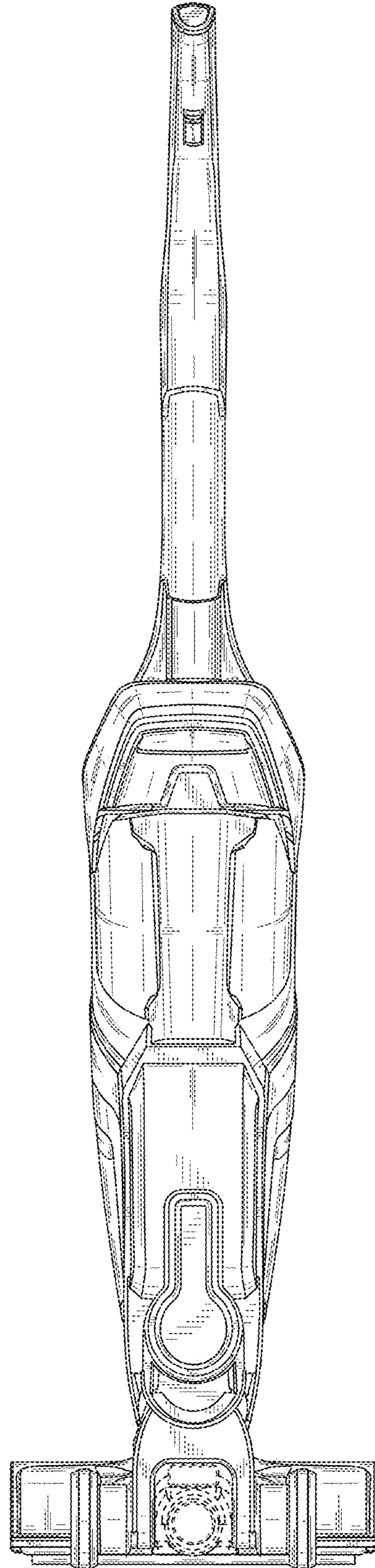


FIG. 4

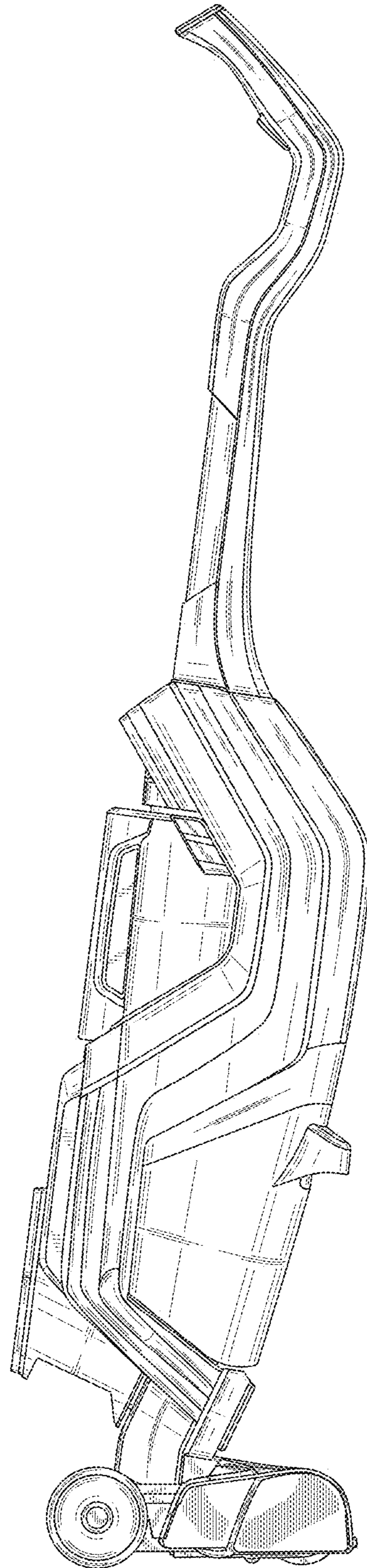


FIG. 5

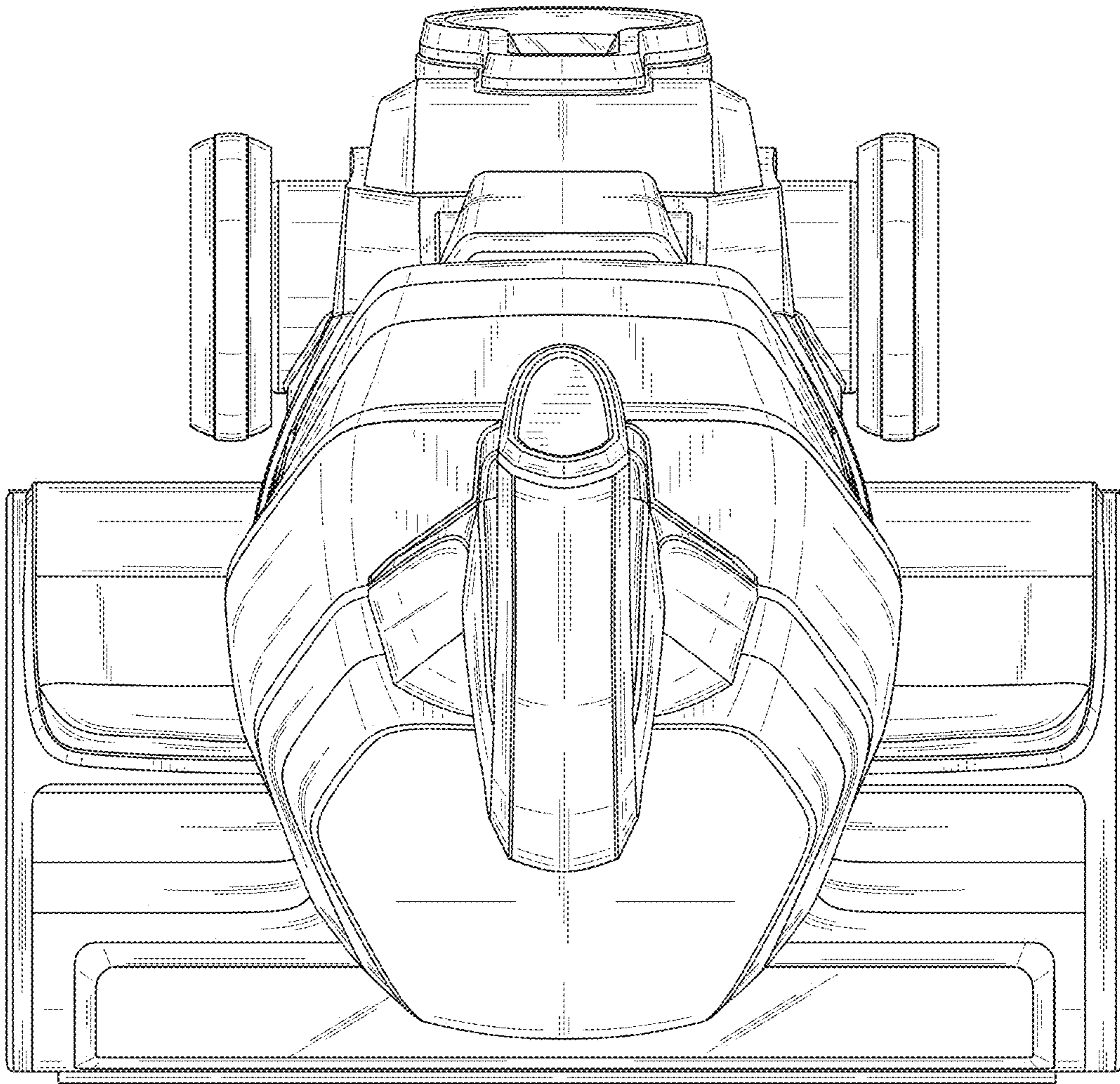


FIG. 6