



US00D917807S

(12) **United States Design Patent** (10) **Patent No.:** **US D917,807 S**  
**Tian** (45) **Date of Patent:** **\*\* Apr. 27, 2021**

(54) **CYCLONE DUST COLLECTOR**

(71) Applicant: **Li Tian**, Maspeth, NY (US)

(72) Inventor: **Li Tian**, Maspeth, NY (US)

(\*\*) Term: **15 Years**

(21) Appl. No.: **29/731,848**

(22) Filed: **Apr. 17, 2020**

(51) **LOC (13) Cl.** ..... **15-05**

(52) **U.S. Cl.**  
USPC ..... **D32/21; D32/31**

(58) **Field of Classification Search**  
USPC ..... D32/1, 17, 21-24, 31, 34  
CPC .. B05B 15/52; B01D 50/002; B01D 46/0045;  
B01D 45/16; B01D 46/0093; A47L 5/34;  
A47L 9/1608; A47L 9/1641; A47L  
9/1666; A47L 9/1683  
See application file for complete search history.

(56) **References Cited**

**U.S. PATENT DOCUMENTS**

6,129,775	A *	10/2000	Conrad	.....	A47L 9/1608 55/337
6,361,576	B1 *	3/2002	Andriola	.....	B01D 45/16 55/459.1
6,679,930	B1 *	1/2004	An	.....	A47L 9/1608 55/337
D527,852	S *	9/2006	Tsai	.....	D32/21
D703,401	S *	4/2014	Hill	.....	D32/31
2001/0005986	A1 *	7/2001	Matsubara	.....	B04C 5/103 55/459.1
2004/0187449	A1 *	9/2004	Witter	.....	B04C 9/00 55/337
2006/0143853	A1 *	7/2006	Agerlid	.....	B01D 46/4272 15/353
2009/0235482	A1 *	9/2009	Tanner	.....	B01D 45/12 15/353
2009/0265883	A1 *	10/2009	Reed, Jr.	.....	A47L 9/1608 15/353
2011/0203238	A1 *	8/2011	Witter	.....	B01D 46/0093 55/356

(Continued)

**OTHER PUBLICATIONS**

Cyclone dust collector <https://www.aliexpress.com/i/32329409159.html> (Year: 2021).\*

(Continued)

*Primary Examiner* — Michelle E. Wilson  
*Assistant Examiner* — Richard E Yenchesky

(57) **CLAIM**

The ornamental design for a cyclone dust collector, as shown.

**DESCRIPTION**

FIG. 1 is a perspective view of a cyclone dust collectors showing my new design; Interior surface of the cyclone dust collect are represented in broken line and do not from part of the design.

FIG. 2 is a front elevation view thereof; Interior surface of the cyclone dust collect are represented in broken line and do not from part of the design.

FIG. 3 is left side elevation view thereof; Interior surface of the cyclone dust collect are represented in broken line and do not from part of the design.

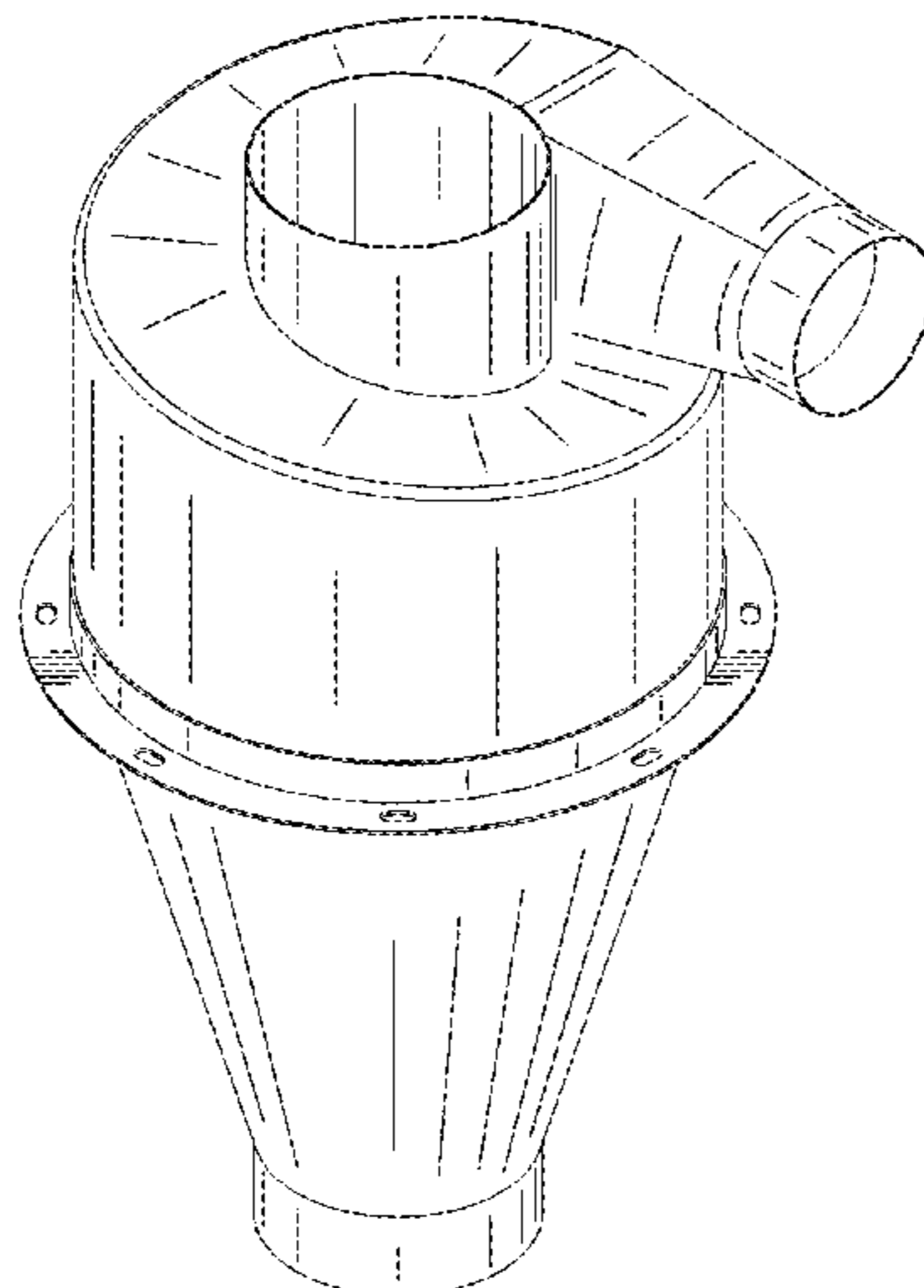
FIG. 4 is a right side elevation view thereof; Interior surface of the cyclone dust collect are represented in broken line and do not from part of the design.

FIG. 5 is a rear elevation view thereof; Interior surface of the cyclone dust collect are represented in broken line and do not from part of the design.

FIG. 6 is a top plan view thereof; Interior surface of the cyclone dust collect are represented in broken line and do not from part of the design; and,

FIG. 7 is a bottom view thereof; Interior surface of the cyclone dust collect are represented in broken line and do not from part of the design.

**1 Claim, 7 Drawing Sheets**



(56)

**References Cited**

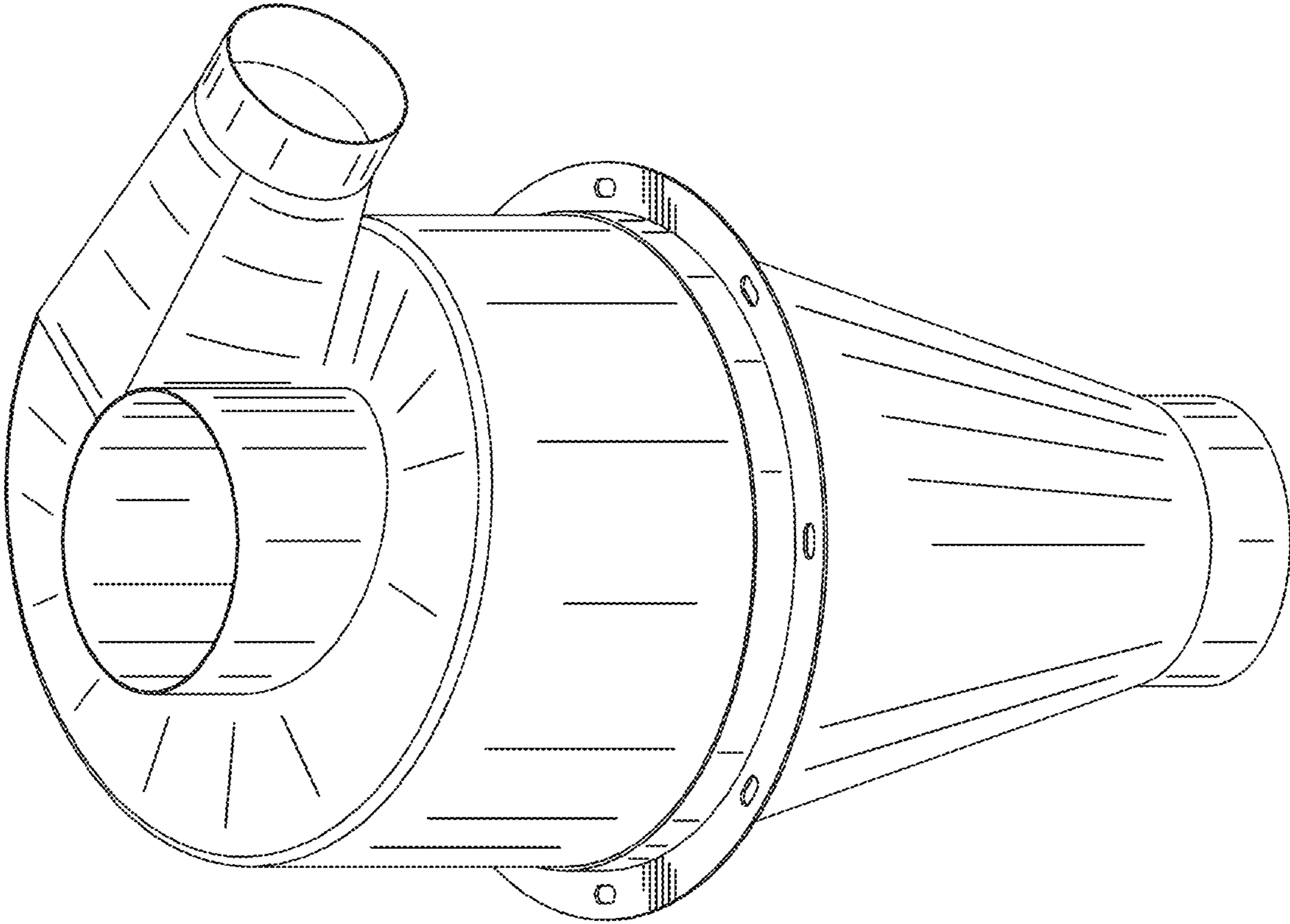
U.S. PATENT DOCUMENTS

2012/0180662 A1\* 7/2012 Missalla ..... B04C 5/04  
95/271  
2014/0250625 A1\* 9/2014 Huang ..... B01D 45/16  
15/353  
2018/0339257 A1\* 11/2018 Cheng ..... B01D 46/0045  
2018/0345200 A1\* 12/2018 Cheng ..... B01D 50/002  
2019/0133393 A1\* 5/2019 Cheng ..... A47L 5/34  
2019/0336904 A1\* 11/2019 Choi ..... B01D 50/004

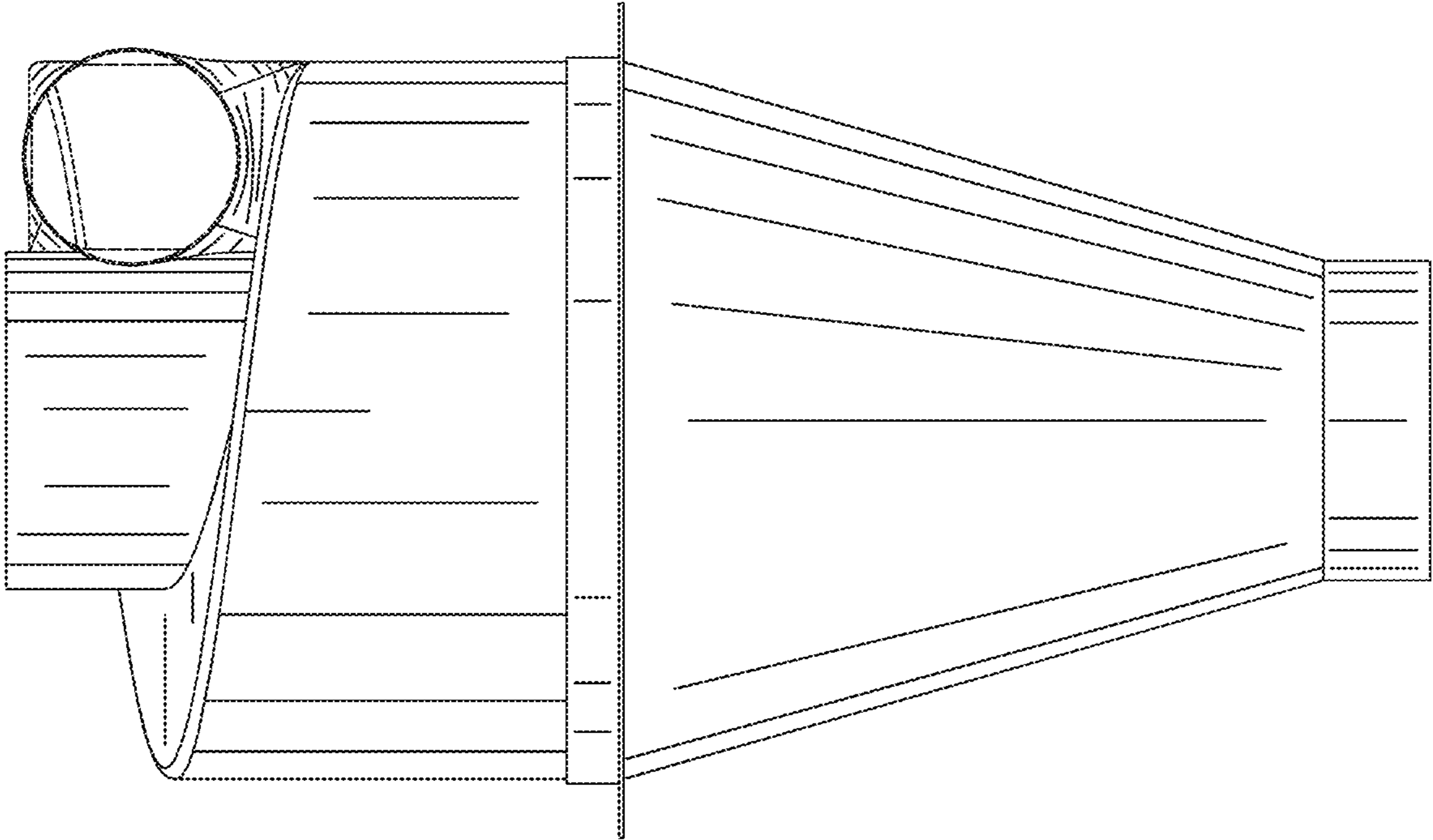
OTHER PUBLICATIONS

Cyclone dust collector <https://www.aliexpress.com/item/4001158808338.html> (Year: 2021).\*

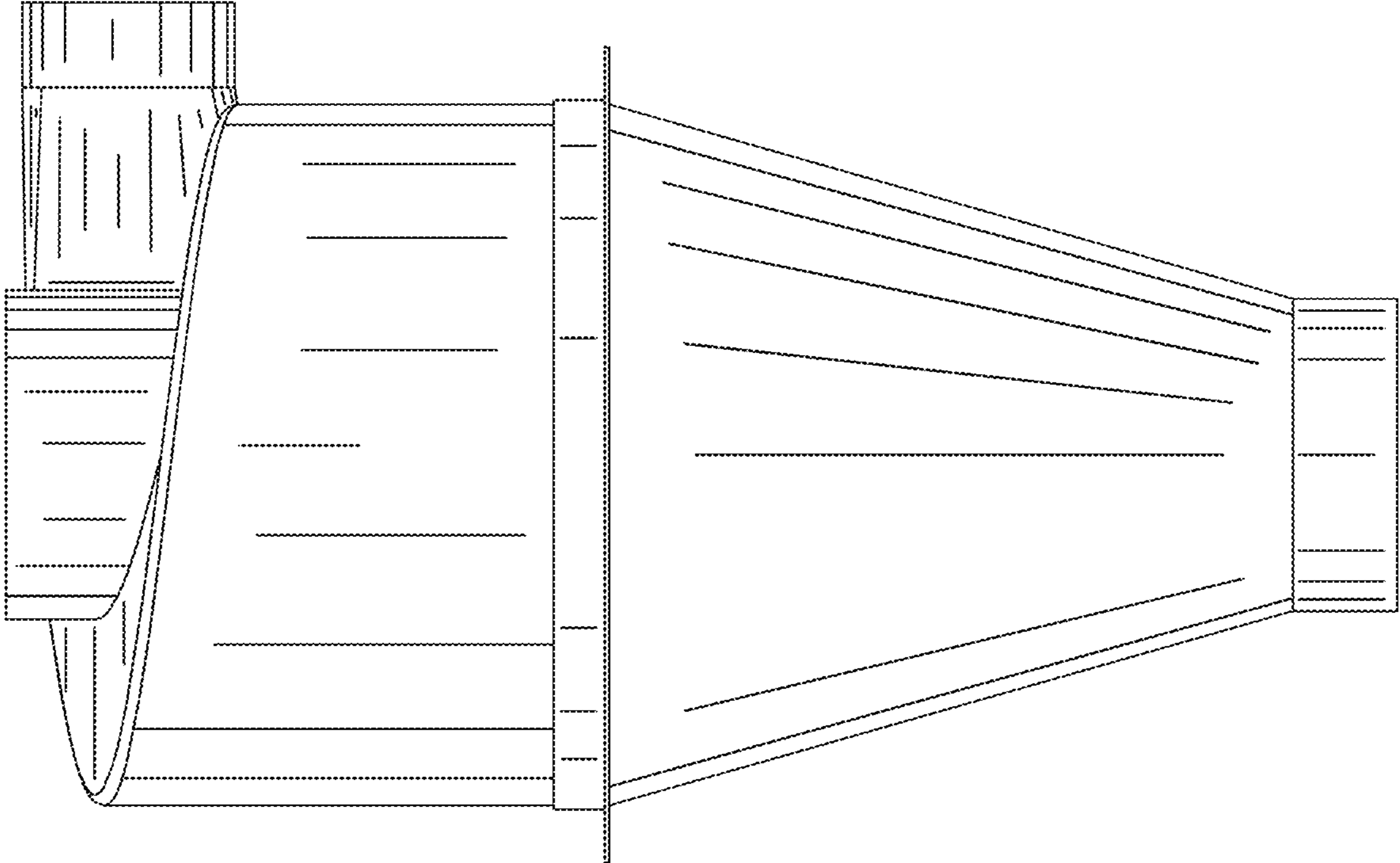
\* cited by examiner



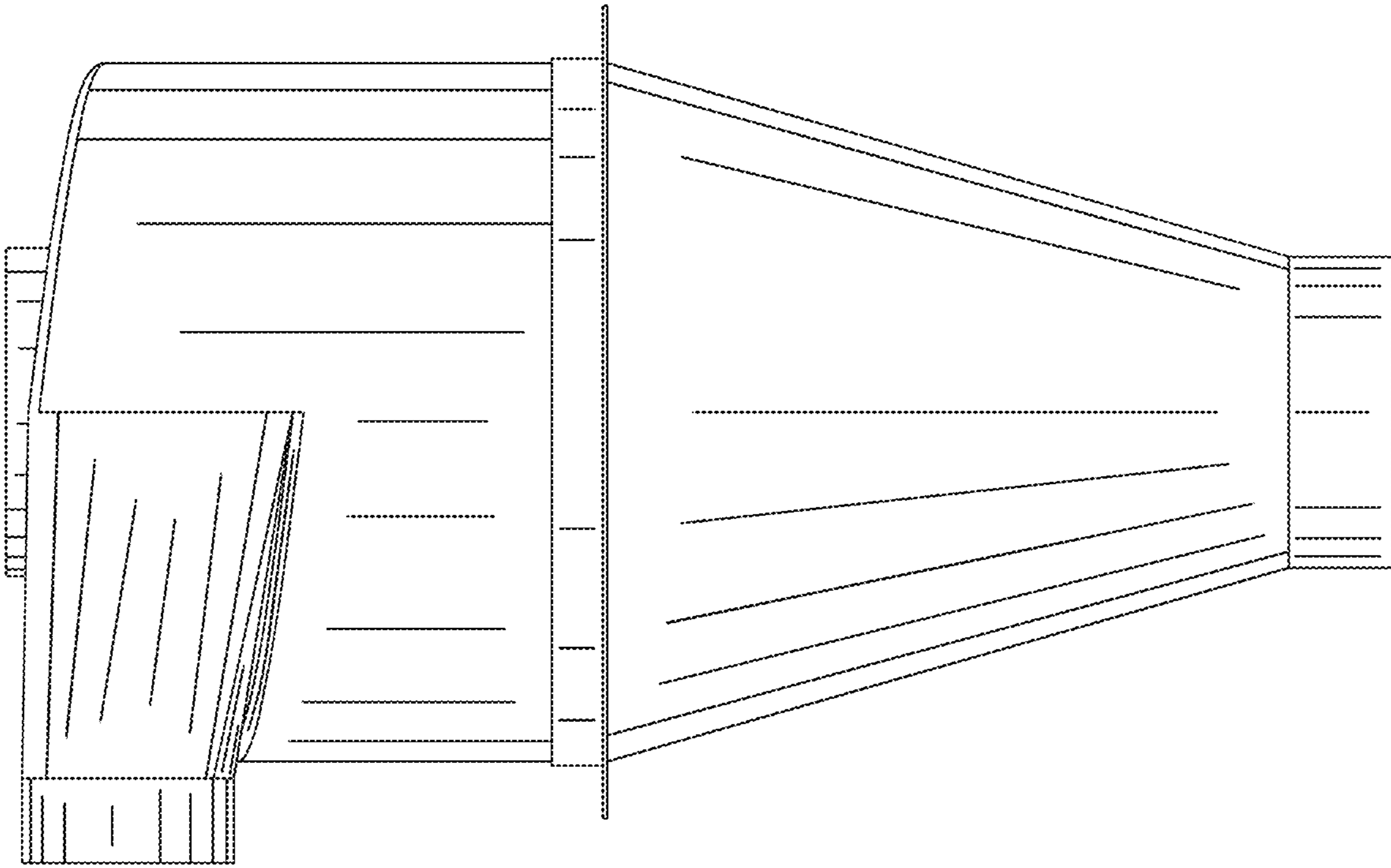
**FIG.1**



**FIG. 2**

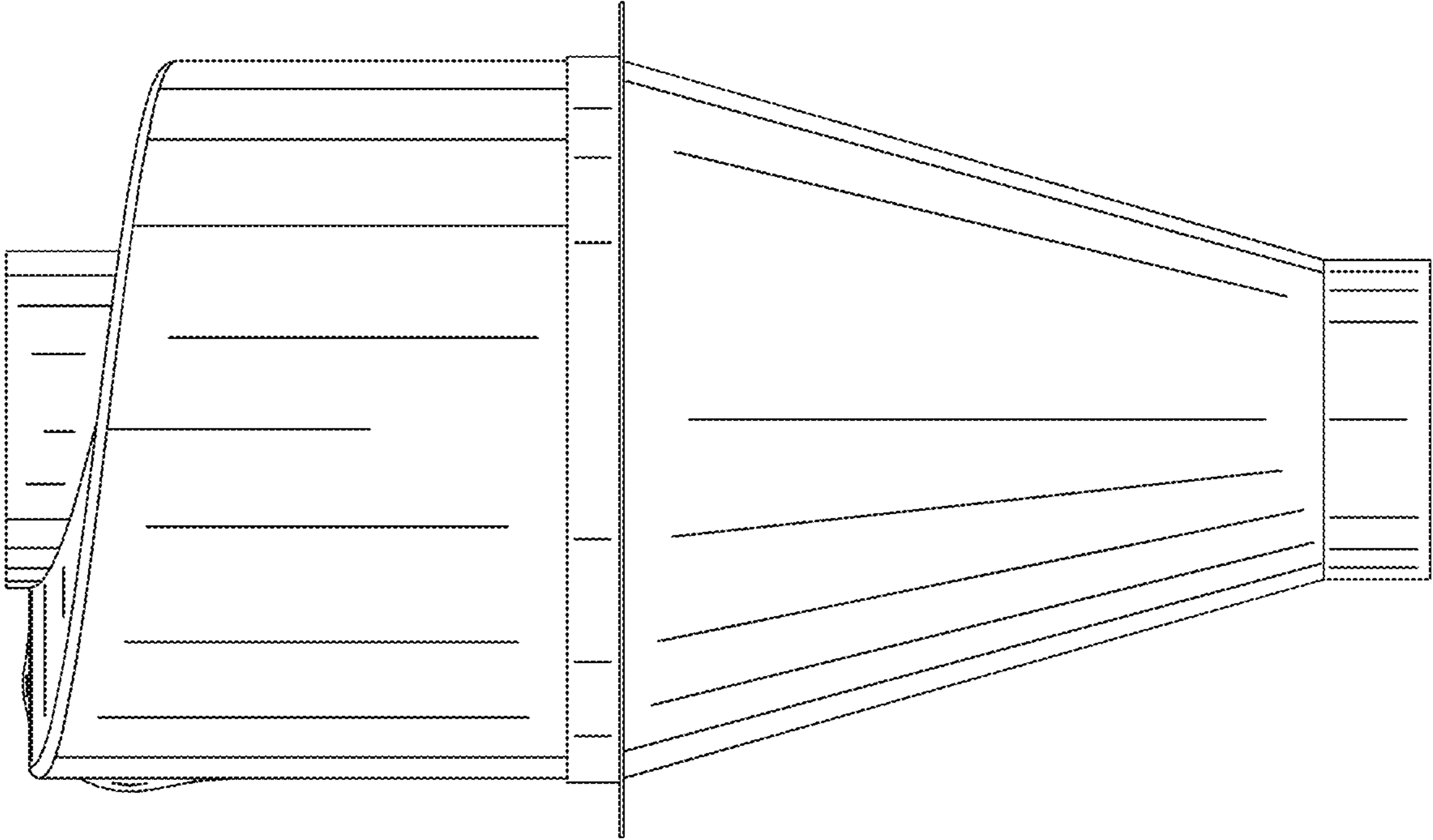


**FIG. 3**

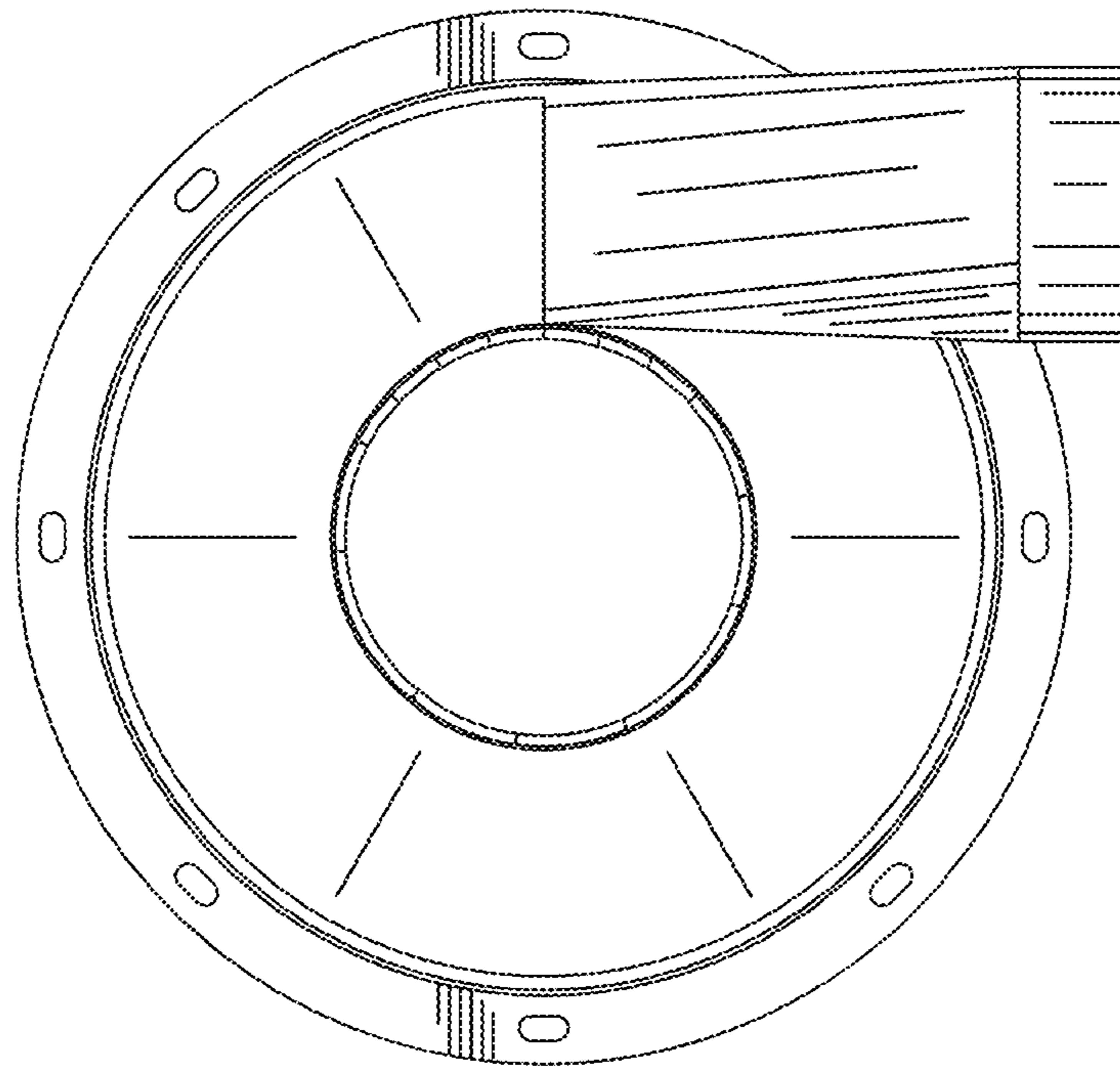


**FIG.4**



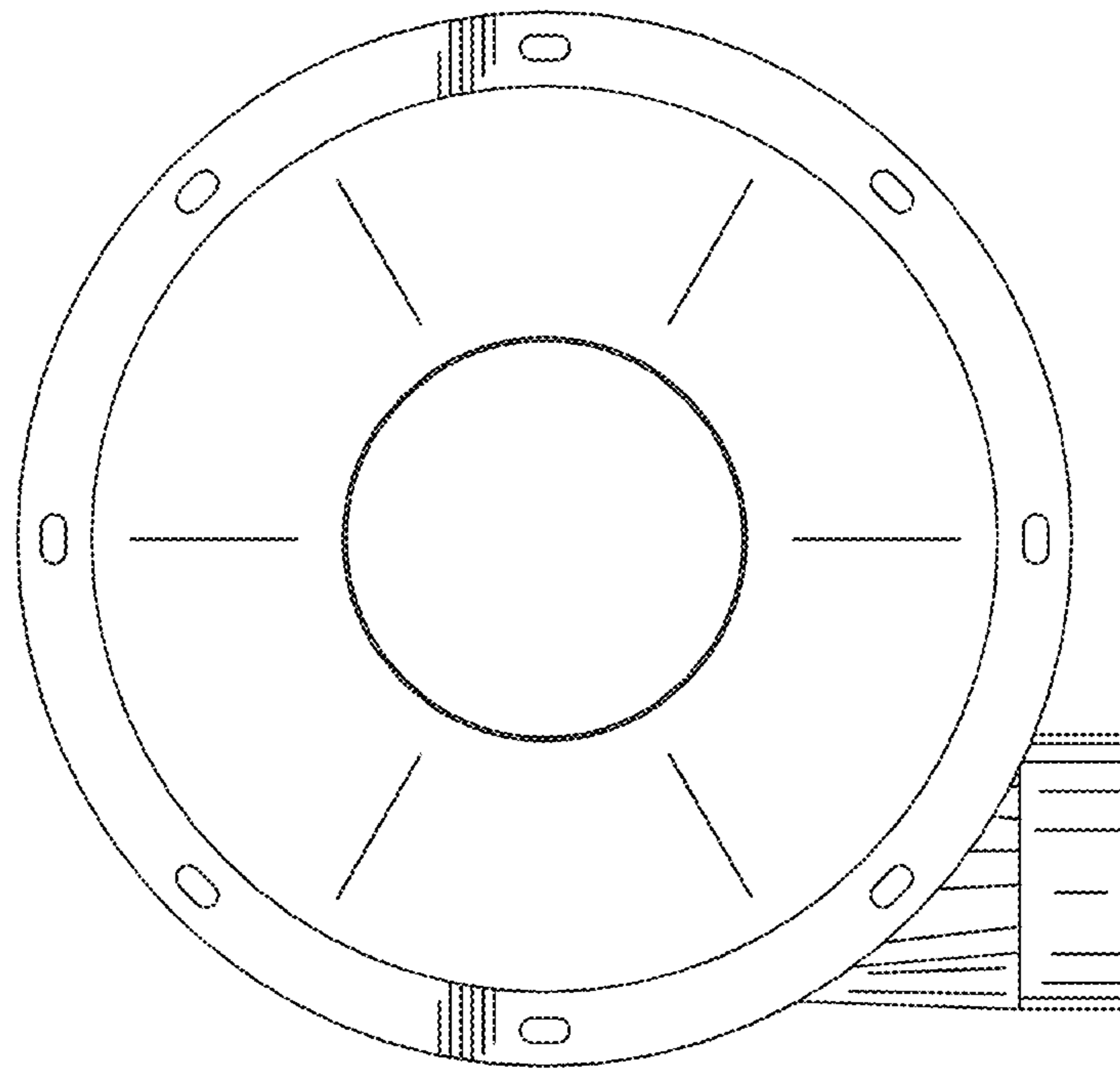


**FIG. 5**



**FIG.6**





**FIG. 7**