



US00D917806S

(12) **United States Design Patent** (10) **Patent No.:** **US D917,806 S**  
**Fitzsimmons et al.** (45) **Date of Patent:** **\*\* Apr. 27, 2021**

(54) **WALL-MOUNTED CYCLONIC DUST COLLECTOR**

(71) Applicants: **John J. Fitzsimmons**, Clay, NY (US); **Jeffrey Hill**, Cicero, NY (US); **Robert M. Witter**, Englewood, FL (US); **Kyle W. Groening**, Syracuse, NY (US); **Joseph Baldwin**, Syracuse, NY (US)

(72) Inventors: **John J. Fitzsimmons**, Clay, NY (US); **Jeffrey Hill**, Cicero, NY (US); **Robert M. Witter**, Englewood, FL (US); **Kyle W. Groening**, Syracuse, NY (US); **Joseph Baldwin**, Syracuse, NY (US)

(73) Assignee: **Oneida Air Systems, Inc.**, Syracuse, NY (US)

(\*\*) Term: **15 Years**

(21) Appl. No.: **29/701,218**

(22) Filed: **Aug. 9, 2019**

(51) **LOC (13) Cl.** ..... **15-05**

(52) **U.S. Cl.**  
USPC ..... **D32/21**

(58) **Field of Classification Search**  
USPC ..... D32/18, 21, 23, 24, 31; D8/70  
CPC ..... A47L 2201/024; A47L 5/24; A47L 5/30;  
A47L 5/36; A47L 5/225; A47L 5/365;  
A47L 9/0036; A47L 9/04; A47L 9/0411;  
A47L 9/24; A47L 9/106; A47L 9/1683;  
A47L 9/322; A47L 9/325; A47L 9/327;  
A47L 9/1608; A47L 7/0004; A47L  
7/0095; B23Q 11/0046; B23Q 11/0071;  
B25D 16/00

See application file for complete search history.

(56) **References Cited**

U.S. PATENT DOCUMENTS

D278,457 S \* 4/1985 Schroder ..... D23/205  
D527,852 S \* 9/2006 Tsai ..... D32/21

D531,769 S \* 11/2006 Lin ..... D32/21  
D533,694 S \* 12/2006 Cheng ..... D32/21  
D593,264 S \* 5/2009 Lin ..... D32/21  
D629,576 S \* 12/2010 Cheng ..... D32/21  
D630,391 S \* 1/2011 Cheng ..... D32/21  
D630,392 S \* 1/2011 Lin ..... D32/21  
D651,775 S \* 1/2012 Cheng ..... D32/21  
D651,776 S \* 1/2012 Cheng ..... D32/21

(Continued)

FOREIGN PATENT DOCUMENTS

CN 303969614 \* 12/2016

OTHER PUBLICATIONS

Supercell High-Pressure Dust Collector, announced 2020 [online], [site visited Oct. 17, 2020], Available from the internet URL: <https://www.oneida-air.com/dust-collectors/supercell-high-pressure-wall-mounted-hepa-cyclone-dust-collector-230v> (Year: 2020).\*

(Continued)

*Primary Examiner* — Dana K Weiland  
*Assistant Examiner* — Jennylou M Binas

(74) *Attorney, Agent, or Firm* — Bernhard O. Molldrem, Jr.

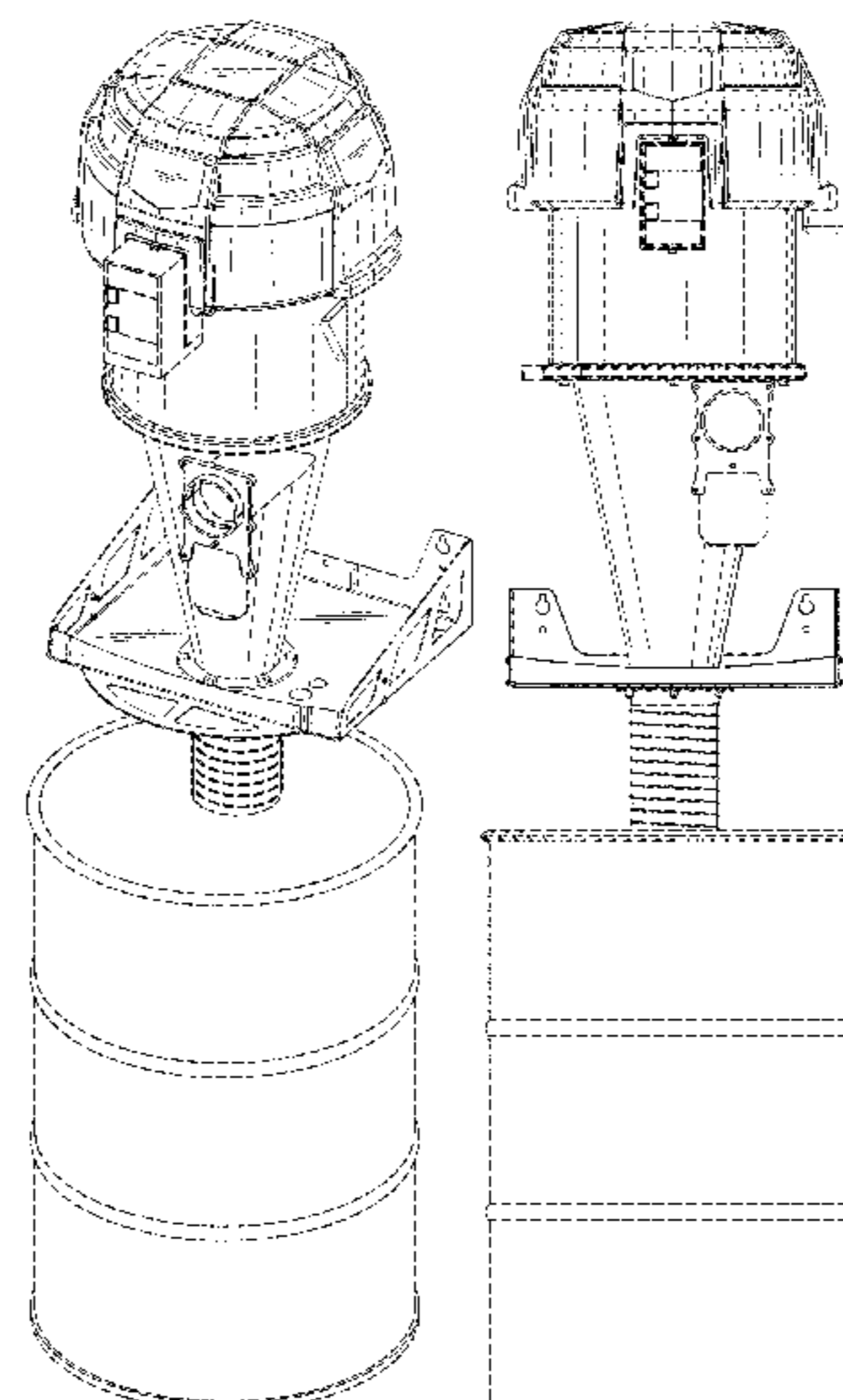
(57) **CLAIM**

The ornamental design for a wall-mounted cyclonic dust collector, as shown and described.

**DESCRIPTION**

FIG. 1 is a perspective view of a wall-mounted cyclonic dust collector, showing our new design.  
FIG. 2 is a front elevational view thereof.  
FIG. 3 is a right-side elevation thereof.  
FIG. 4 is a rear elevational view thereof.  
FIG. 5 is a left-side elevational view thereof; and,  
FIG. 6 is a top plan view thereof.  
The broken lines shown in the Drawing depict portions of the wall-mounted cyclonic dust collector that form no part of the claimed design.

**1 Claim, 6 Drawing Sheets**



(56)

**References Cited**

## U.S. PATENT DOCUMENTS

8,393,050 B2 \* 3/2013 Witter ..... B04C 5/185  
 15/353  
 D690,064 S \* 9/2013 Witter ..... D32/21  
 D706,317 S \* 6/2014 Eliason ..... D15/124  
 D804,116 S \* 11/2017 Cheng ..... D32/21  
 2011/0078873 A1 \* 4/2011 Herrett ..... A47L 5/38  
 15/347  
 2011/0203238 A1 \* 8/2011 Witter ..... B01D 46/0093  
 55/356  
 2012/0272631 A1 \* 11/2012 Lin ..... A47L 9/00  
 55/467  
 2018/0169558 A1 \* 6/2018 Cheng ..... B01D 50/002  
 2018/0339257 A1 \* 11/2018 Cheng ..... B01D 46/0045  
 2018/0345199 A1 \* 12/2018 Cheng ..... B01D 46/521  
 2019/0125153 A1 \* 5/2019 Loveless ..... A47L 9/106  
 2019/0133393 A1 \* 5/2019 Cheng ..... A47L 5/34  
 2019/0299141 A1 \* 10/2019 Cheng ..... B01D 45/12

## OTHER PUBLICATIONS

Supercell Mobile Dust Collector, announced 2020 [online], [site visited Oct. 17, 2020], Available from the internet URL: <https://www.oneida-air.com/dust-collectors/supercell-mobile-14-gal-high-pressure-dust-collector> (Year: 2020).\*

Best Cyclone Dust Collector, announced Oct. 17, 2019 [online], [site visited Oct. 17, 2020], Available from the internet URL: <https://www.chainsawjournal.com/best-cyclone-dust-collector/> (Year: 2019).\*

OSHA Silica-4 Critical Dust Collector Rules, announced in YouTube on Jan. 31, 2018 [online], [site visited Oct. 19, 2020], Available from the internet URL: <https://www.youtube.com/watch?v=L31-dSooQOw> (Year: 2018).\*

\* cited by examiner

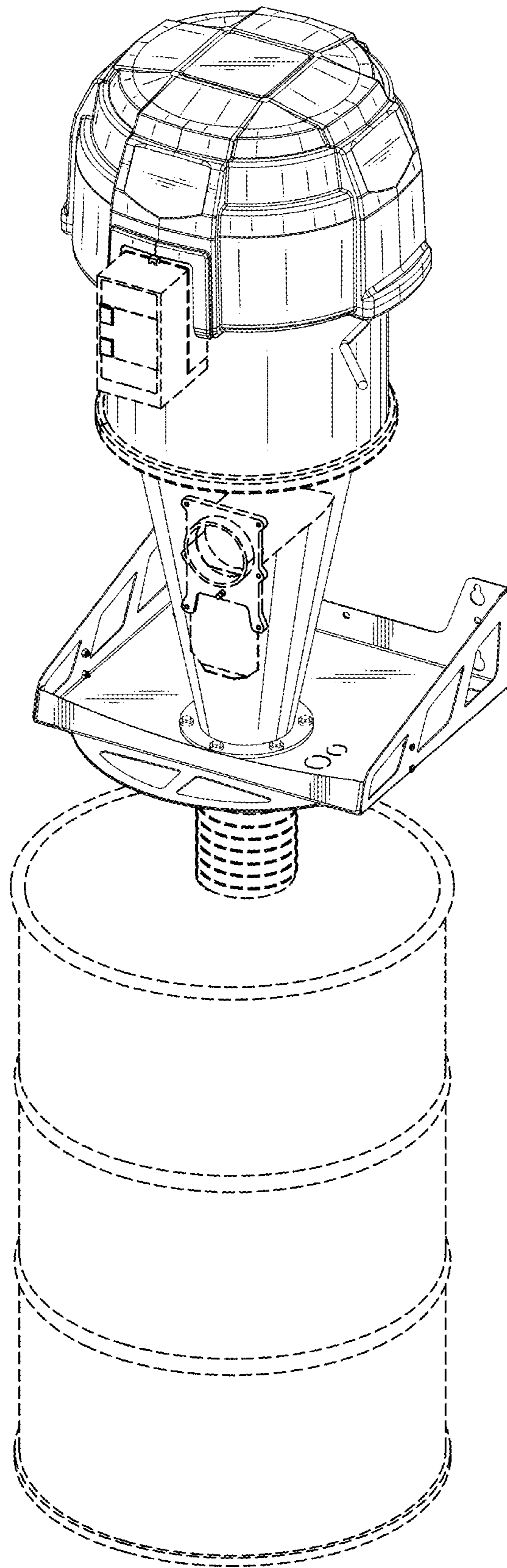


FIG. 1

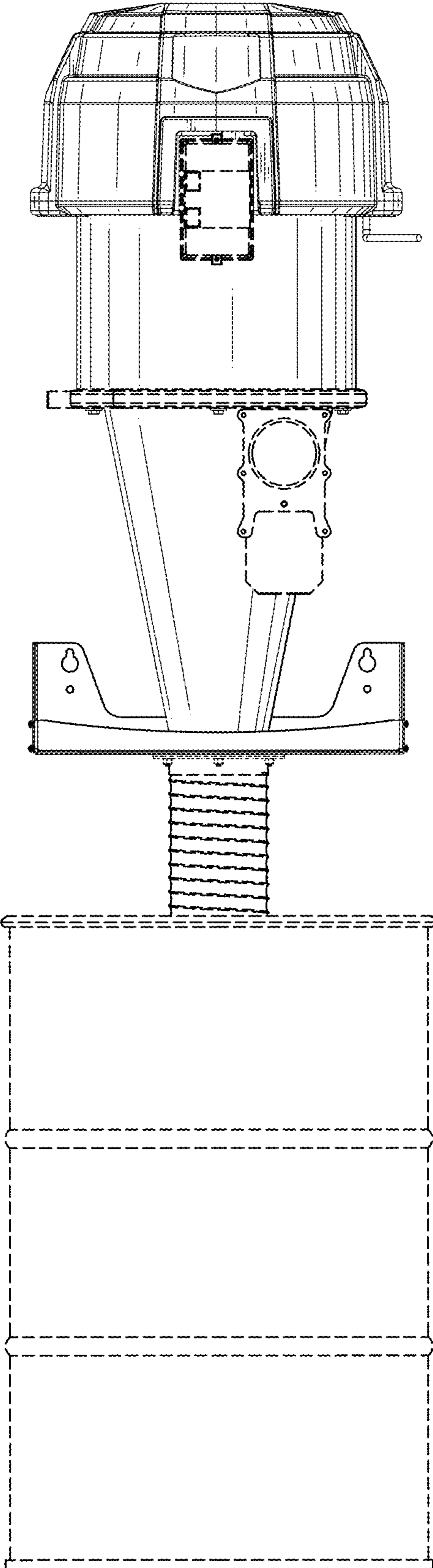


FIG.2

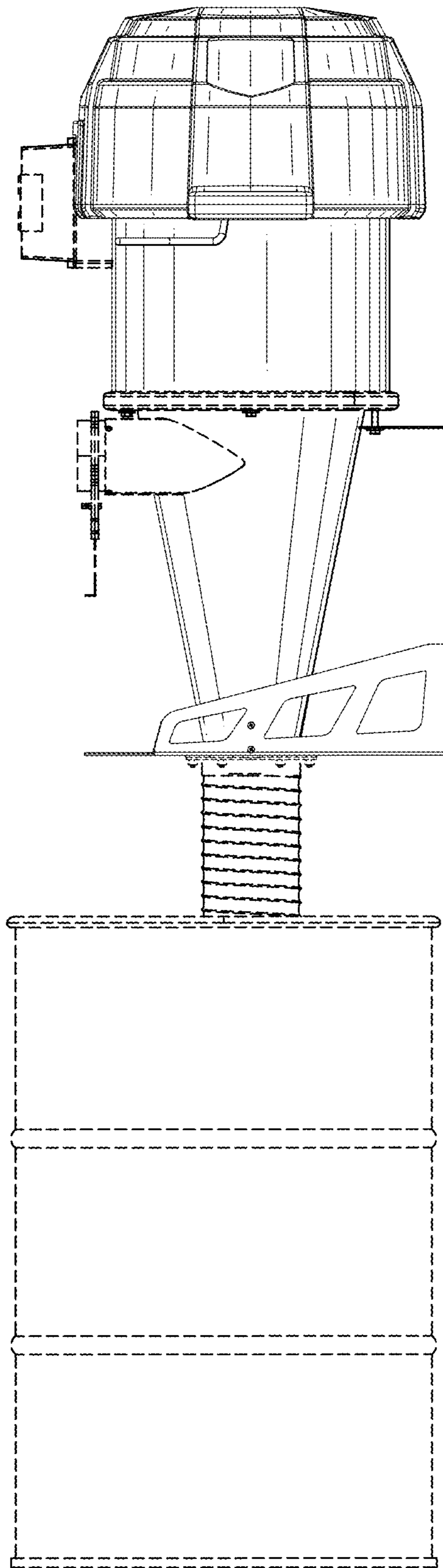


FIG.3

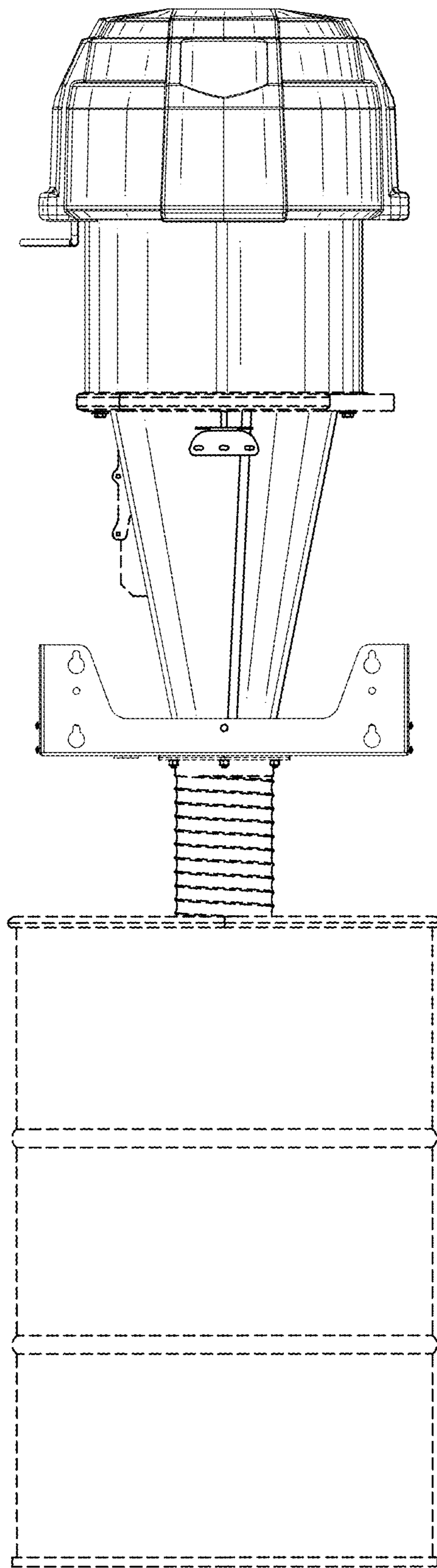


FIG. 4

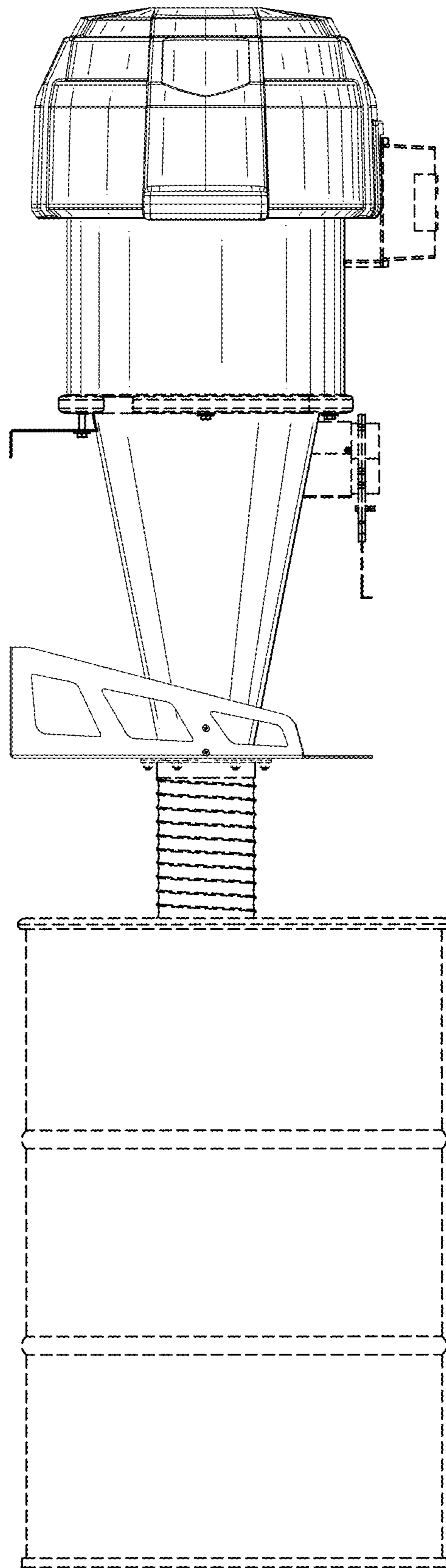


FIG. 5

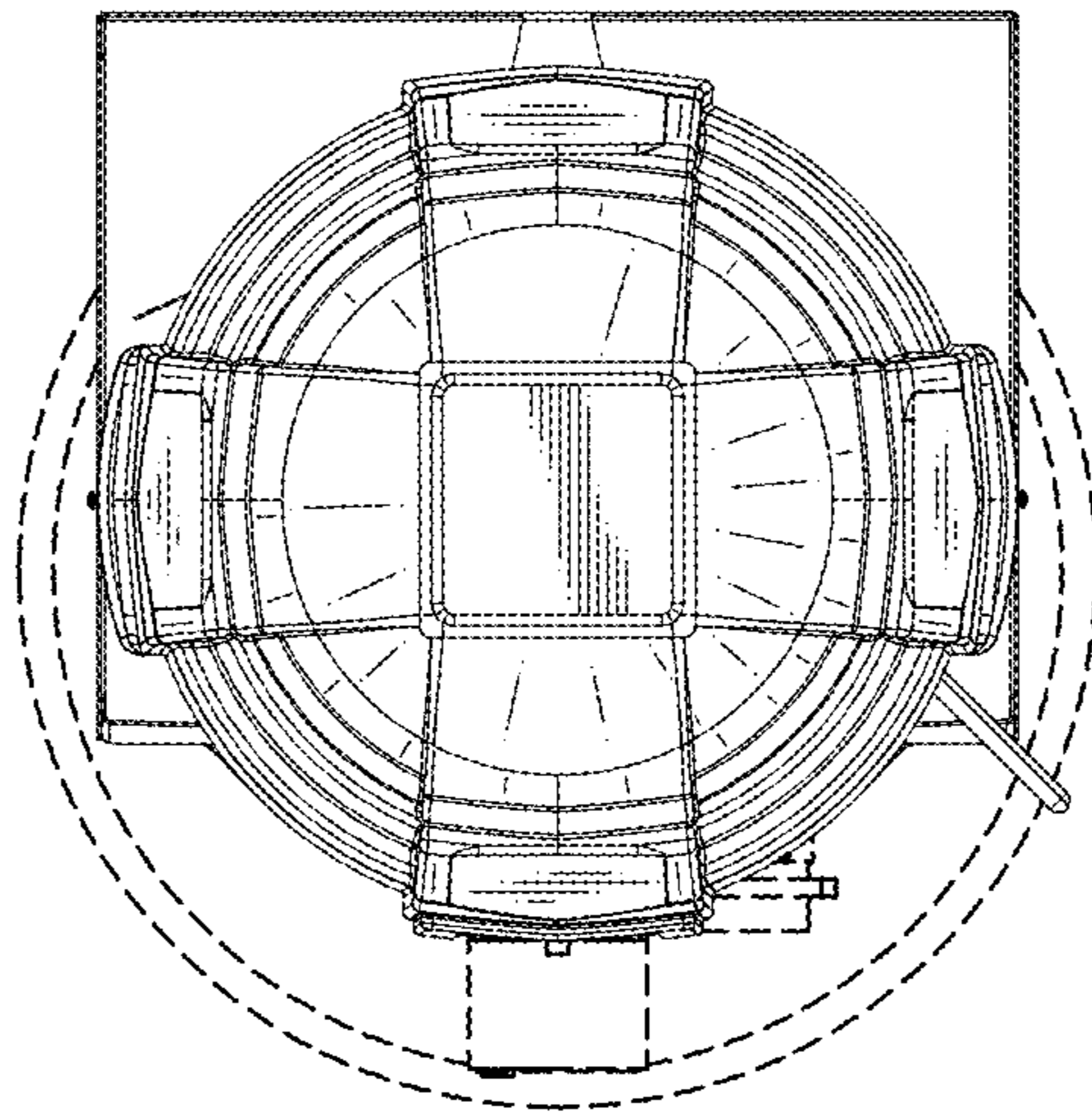


FIG. 6